

PERMIT ISSUED

City of Portland, Maine - Building or Use Permit Application
 389 Congress Street, 04101 Tel: (207) 874-8703, Fax: (207) 874-8716

Permit No: 02-0430	Issue Date: MAY 2 1 2002	CBL: 121 C009011
-----------------------	-----------------------------	---------------------

Location of Construction: 335 Brighton Ave	Owner Name: Mmc Realty Corp	Owner Address: 22 Bramhall St	Phone: 207-871-2447
Business Name:	Contractor Name: Hebert Construction LLC	Contractor Address: 9 Gould Rd. Lewiston	Phone: 2077832091
Lessee/Buyer's Name	Phone:	Permit Type: Alterations - Commercial	Zone: R-3

Past Use: Patient Care	Proposed Use: Patient Care, enlarge reception area, new lighting (interior fit-up)	Permit Fee: \$408.00	Cost of Work: \$55,000.00	CEO District: 3
Proposed Project Description: enlarge reception area, new lighting		FIRE DEPT: <input checked="" type="checkbox"/> Approved <input type="checkbox"/> Denied	INSPECTION: Use Group: <i>I</i> Type: <i>BODA 1999</i>	
		Signature: <i>[Signature]</i>	Signature: <i>[Signature]</i>	
PEDESTRIAN ACTIVITIES DISTRICT (P.A.D.)				
Action: <input type="checkbox"/> Approved <input type="checkbox"/> Approved w/Conditions <input type="checkbox"/> Denied				
Signature: _____ Date: _____				

Permit Taken By: jodinea	Date Applied For: 04/28/2002	Zoning Approval		
-----------------------------	---------------------------------	------------------------	--	--

1. This permit application does not preclude the Applicant(s) from meeting applicable State and Federal Rules. 2. Building permits do not include plumbing, septic or electrical work. 3. Building permits are void if work is not started within six (6) months of the date of issuance. False information may invalidate a building permit and stop all work..	Special Zone or Reviews <input type="checkbox"/> Shoreland <input type="checkbox"/> Wetland <i>to Exterior</i> <input type="checkbox"/> Flood Zone <input type="checkbox"/> Subdivision <input type="checkbox"/> Site Plan Maj <input type="checkbox"/> Minor <input type="checkbox"/> MM <input type="checkbox"/> Date: <i>[Signature]</i> 5/2/02	Zoning Appeal <input type="checkbox"/> Variance <input type="checkbox"/> Miscellaneous <input type="checkbox"/> Conditional Use <input type="checkbox"/> Interpretation <input type="checkbox"/> Approved <input type="checkbox"/> Denied Date: _____	Historic Preservation <input checked="" type="checkbox"/> Not in District or Landmark <input type="checkbox"/> Does Not Require Review <input type="checkbox"/> Requires Review <input type="checkbox"/> Approved <input type="checkbox"/> Approved w/Conditions <input type="checkbox"/> Denied Date: <i>[Signature]</i>
	<i>Any change of lighting needs A separate Review</i>		

CERTIFICATION

I hereby certify that I am the owner of record of the named property, or that the proposed work is authorized by the owner of record and that I have been authorized by the owner to make this application as his authorized agent and I agree to conform to all applicable laws of this jurisdiction. In addition, if a permit for work described in the application is issued, I certify that the code official's authorized representative shall have the authority to enter all areas covered by such permit at any reasonable hour to enforce the provision of the code(s) applicable to such permit.

 SIGNATURE OF APPLICANT ADDRESS DATE PHONE

 RESPONSIBLE PERSON IN CHARGE OF WORK, TITLE DATE PHONE

DISPLAY THIS CARD ON PRINCIPAL FRONTAGE OF WORK CITY OF PORTLAND

Please Read Application And Notes, if Any, Attached

BUILDING INSPECTION PERMIT

Permit Number: 020430

This is to certify that Mmc Realty Corp/Hebert Construction
has permission to enlarge reception area, new loading
AT 335 Brighton Ave 121 C009011

provided that the person or persons, firm or corporation accepting this permit shall comply with all of the provisions of the Statutes of Maine and of the ordinances of the City of Portland regulating the construction, maintenance and use of buildings and structures, and of the application on file in this department.

Apply to Public Works for street line and grade if nature of work requires such information.

Notification of inspection must be given and when permission is procured before this building or part thereof is laid or occupied closed-in. **HEAR NOTICE IS REQUIRED.**

A certificate of occupancy must be procured by owner before this building or part thereof is occupied.

OTHER REQUIRED APPROVALS

Fire Dept. [Signature]
Health Dept. _____
Appeal Board _____
Other _____
Department Name

[Signature]
Director - Building & Inspection Services

PENALTY FOR REMOVING THIS CARD

001-0430

THIS IS NOT A PERMIT/CONSTRUCTION CANNOT COMMENCE UNTIL THE PERMIT IS ISSUED

All Purpose Building Permit Application

If you or the property owner owes real estate or personal property taxes or user charges on any property within the City, payment arrangements must be made before permits of any kind are accepted.

Location/Address of Construction: 335 Brighton Avenue, Portland, ME 04102

Total Square Footage of Proposed Structure N/A	Square Footage of Lot N/A
--	---------------------------

Tax Assessor's Chart, Block & Lot Number Chart# 121 Block# C Lot# 009	Owner: Maine Medical Center	Telephone#: (207)871-2447
--	--------------------------------	------------------------------

Lessee/Buyer's Name (If Applicable) N/A	Owner's/Purchaser/Lessee Address: N/A	Cost Of Work: \$55,000 Fee: \$408.00
--	--	---

Current use: Patient Care

If the location is currently vacant, what was prior use: N/A

Approximately how long has it been vacant: N/A

Proposed use: Patient Care

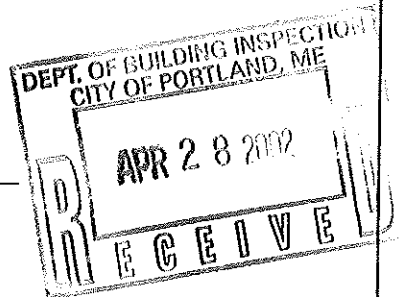
Project description: Enlarge reception office, new lighting, flooring & painting

Contractor's Name, Address & Telephone:
 Hebert Construction Corp. (207) 783-2091
 9 Gould Road, Lewiston, ME 04240

Applicants Name, Address & Telephone:
 Hebert Construction Corp. (207)783-2091
 9 Gould Road, Lewiston, ME 04240

Who should we contact when the permit is ready: Daniel R. Hebert
 Telephone: (207)783-2091 Pager 064-6333

If you would like the permit mailed, what mailing address should we use:



Rec'd By:

OUTLINE MATERIAL SPECIFICATIONS FOR:

MAINE MEDICAL CENTER PainCare RENOVATIONS

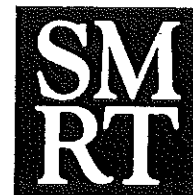
Portland, Maine

DIVISIONS 2 THROUGH 16

Project No. 02026-00

DATED: April 23, 2002

ISSUED FOR CONSTRUCTION



ARCHITECTURE
ENGINEERING
PLANNING

144 Fore Street
PO Box 618
Portland, Maine 04104
www.smrt.com
☎ 207 772-3846
☎ 207 772-1070

DIVISION 2- DEMOLITION AND SITE WORK

SECTION 02050- SELECTIVE DEMOLITION

1. Conform to applicable code for demolition work, dust control, products requiring electrical disconnection and reconnection.
2. Obtain permits required from authorities.
3. Do not close or obstruct egress from any building exit.
4. Do not disable or disrupt building fire or life safety systems without 3 days' prior written notice to Owner.
5. Provide fire watch as directed by hospital safety director when life safety systems are disrupted and during and following welding.
6. All materials are to be removed from the site and disposed of in a legal manner. Care is to be taken to avoid damage to adjacent materials.
7. Prevent movement of structure. Provide bracing and shoring if necessary.
8. Where interior materials contain asbestos, the owner intends to contract for removal of these materials prior to the start of construction.
9. Erect and maintain temporary partitions to prevent spread of dust, odors, and noise. Locate partitions as directed by Owner.

DIVISION 3- CONCRETE

Not Used

DIVISION 5- METALS

SECTION 05120 - STRUCTURAL STEEL

1. Steel framing members shall be ASTM A36 for rolled shapes
2. Fabrication and erection shall conform to "Standard Specifications for Structural Steel for Buildings" of the AISC.

DIVISION 6- WOOD AND PLASTICS

06100 ROUGH CARPENTRY

1. All dimension lumber specified shall be Spruce-Pine-Fir, Eastern Spruce, Eastern Hemlock - Tamarack (North), Southern Pine, or Douglas Fir-Larch.
2. Lumber used for blocking may be number 3 grade. All blocking is to be fire-rated.
3. All lumber shall have maximum moisture content of 19%.
4. Anchors and Fasteners: Non-corrosive, suitable for load and exposure.

06402 INTERIOR ARCHITECTURAL WOODWORK

1. Running trim: Provide Birch running trim, with clear finish, where indicated on drawings.
2. All plastic laminate casework is to be American Woodwork Institute (AWI) "Architectural Woodwork Quality Standards" custom quality, laminate clad.
 - A. Countertops to be plastic laminate with Birch edge trim, clear finish.
 - B. Casework shelves to be plastic laminate with matching PVC edge trim.
 - C. Laminate: High pressure decorative laminate, NEMA LD-3
 - D. Grade: Premium.
 - E. Face Style: Flush overlay.
 - F. Core: Plywood as allowed by grade.
 - G. Colors:
Reception counter, horizontal and vertical surfaces: Formica #505-58 Dusty Jade Grafix
Storage Cabinet, interior and exterior surfaces: Formica 918-58 Neutral White
3. Set and secure materials and components in place, plumb and level. Carefully scribe work abutting other components.
4. Cabinet Hardware:
 - A. Hinges: Blum 170 degree snap-on series, self-closing with doweled hinge cup. Provide quantity of hinges recommended by hinge manufacturer for weight and size of door.
 - B. Shelves at cabinets: Provide Knappe and Vogt 255 standards and 256 supports or millworkers system utilizing line borings and metal shelf clips.
 - C. Pulls: Ives wire pulls No 37 (3 1/2")

- D. Sliding Window Hardware: Provide Knappe and Vogt sliding door track assembly Model P1092 with Model 965NP adjustable lock.
- E. Cabinet Hardware Finishes: US 26D

DIVISION 7- THERMAL AND MOISTURE PROTECTION

07270 FIRESTOPPING

1. Provide firestopping materials at penetrations through fire-resistance-rated floor and roof construction.
2. Provide firestopping materials at penetrations through fire-resistance-rated walls and partitions.
3. Install firestopping materials in conformance with UL Through-Penetration Firestop System requirements for each type of wall or floor construction and type of penetration (cables, pipes, ducts, conduits and other penetrating items).

07900 JOINT SEALANTS

1. Joint sealers interior applications at all vertical and horizontal joints.
2. Latex Joint Sealants:
 - a. Type : Acrylic-emulsion, ASTM C 834.
 - b. Application: Interior joints in vertical and overhead surfaces with limited movement.
- a. Provide the following or equal:
 - 1) "AC-20", Pecora Corp.

DIVISION 8- DOORS AND WINDOWS

08100 HOLLOW METAL DOORS & FRAMES (WELDED ASSEMBLIES)

1. Interior standard hollow metal frames.
2. Standards: ANSI/SDI-100, Recommended Specifications for Standard Steel Doors and Frames.

3. Hollow metal frames to be welded for doors and borrowed lites, 18 ga. steel minimum.
4. Frames to be factory primed and field painted.

08210 WOOD DOORS

1. Solid core, 5 ply, hot pressed to core with exterior Type 1 glue. Flush wood doors, rotary cut Birch .
2. Provide glazed lites.
3. Doors to be factory finished. Clear finish to match existing doors.
4. All doors to be prepared for hardware.

08710 DOOR HARDWARE

1. Fire-Rated Openings: Provide door hardware for fire rated openings that complies with NFPA Standard No. 80 and requirements of authorities having jurisdiction. Provide only items of door hardware that are listed and are identical to products tested by UL, Warnock Hersey, FM, or other testing and inspecting organization acceptable to authorities having jurisdiction for use on types and sizes of doors indicated in compliance with requirements of fire-rated door and door frame labels.
2. Handicapped Accessibility: Provide door hardware that complies with the requirements of A.N.S.I. A117.1, most current addition, and the requirements of authorities having jurisdiction. Door hardware shall be installed in compliance with A.N.S.I. A117.1. Omissions or discrepancies in the documents which would prevent the installation of door hardware in compliance with A.N.S.I. A117.1 shall be brought to the attention of the architect, accompanied with alternatives which do comply with above standards, at or prior to the closing date for issuance of addenda. After this date the bid price will be understood to include hardware which complies with A.N.S.E. A117.1.
3. The finish hardware specified for this project shall be guaranteed against defects in material and workmanship for a period of (1) year from date of completion and acceptance of this building. In addition, door closers shall carry a guarantee of five (5) years from date of completion and acceptance of this building.
4. If an item of hardware is found to be defective by reasons of defects in material and workmanship, it shall be replaced by the hardware supplier at no charge to the owner. The installation of the replacement item shall be the responsibility of the general contractor if

within the building guarantee period specified under general conditions, or by the owner if beyond the building guarantee period.

5. PRODUCTS

A. DOOR HARDWARE:

1. Quality Level: Heavy duty commercial type.
2. Locksets and Latchsets: Mortise type. Sargent 8200 Series L Style Handle Design with LN rose.
3. Lock Cylinders: Interchangeable type.

The following is a list of lock functions as indicated under "hardware sets":

FUNCTION	ANSI	SARGENT
A Storage	F07	04
B Office	F04	05
C Passage	F01	15
D Classroom	F05	37
E Entrance	F09	16
F Privacy	F22	65

4. Keying: Owner's requirements. Match existing keying and key control system. Provide (3) keys for each cylinder.

B. HINGES

- 1) All hinges for this project shall be, stainless steel, solid bronze, ball bearing or oil impregnated bearing type, except as noted.
- 2) The following is a guide for hinge size (height) and type required for this specification.

a. MANUFACTURER

1 3/4" Doors up to 3'-0" wide .134 gauge	Stanley Hager McKinney	FBB179-4 1/2" BB1279-4 1/2" TA-TB2714-4 1/2"
1 3/4" Doors over 3'-0" wide .180 gauge	Stanley Hager McKinney	FBB168-4 1/2" BB1168-4 1/2" T4A-T4B3786-4 2"

- b. The width of hinges shall be sufficient to clear all trim.
 - c. Hinges of foreign manufacture shall not be considered acceptable for this project.
- 3) Two hinges shall be provided for each door leaf up to and including five feet (5'-0") in height. An additional hinge shall be required for each additional two and one half feet (2'6") or fraction thereof in height.

E. DOOR CLOSERS:

- 1) All door closers for this project shall be the product of one manufacturer, and shall have cast iron or cast aluminum body with full cover. Door closers shall be full rack and pinion type construction, non-handed and non-sized with adjustable back-check effective at 70 degrees for both standard and parallel arm mounting. Door closer size shall be approximately 12 1/4" x 2" x 2 3/8" projection.
- 2) The following products will be considered acceptable for this project:
 - LCN -4010 or 4110 Series
 - Sargent - 1250 - 1251
- 3) Door closers mounted on corner brackets, or top jamb application, shall not be permitted.
- 4) Provide hold open arms, where specified, in accordance with the hardware set numbers.
- 5) Where door closers are noted to require delayed action feature, provide closers as specified herein, but having a separate delayed action valve, to permit adjustment of delayed action cycle. When adjusted, the door closer shall close at a controlled rate of speed, through the delayed action cycle range.
- 6) The installing contractor shall be responsible for proper installation of door closers in accordance with degree of opening indicated on hardware schedule. The installing contractor shall be responsible for adjustment of the three individual valves, for proper control of closing speed, latching speed, and delayed action, or backcheck. Spring power adjustments shall also be the responsibility of the installing contractor.
- 7) Where top rail of door is insufficient in width to mount the closer directly to the rail, please advise the Architect. Use of drop brackets shall be avoided if possible.

- 8) All door closers shall be listed by Underwriters Laboratories for use on self closing fire rated doors.

F. DOOR STOPS:

- 1) Wall type bumpers with a concealed type flange shall be used wherever possible and be one of the following:

Ives	407 1/2
Door Controls	3211T
Rockwood	409
Hager	237W

G. SILENCERS:

- 1) Provide rubber silencers for all interior pressed steel (hollow metal) frames. Silencers shall be pneumatic type 1/2" diameter with 1/8" projection.
- 2) Provide 3 silencers for the strike jamb of metal frames for single doors and two for the head for metal frames for pairs of doors.

H. ELECTROMAGNETIC DOOR HOLDERS:

- 1) Re-use existing hardware.

I. ELECTROMAGNETIC LOCKS:

- 1) Re-use existing hardware, including lock and keypad. Tie into existing fire alarm system. Hardware must unlock in case of power failure or fire alarm activation.

J. EXIT DEVICES

- 1) Where called for in the hardware sets, provide Sargeant 8700 series vertical rod exit device, with top and bottom strikes. Vertical rod to be operated by touch pad. No trim on opposite side.

K. PUSH PLATES

- 1) Manufacturer: Rockwood
- 2) Size: 4" x 16"

K. KICKPLATES AND ARMORPLATES

- 1) Armorplates shall be 0.06 inch thick rigid vinyl with factory applied adhesive backing.
 - a) Manufacturer: InPro Corporation
 - b) Color: Brittany Blue
 - c) Size: 36" high x 1" less door width for pairs of doors. Provide armorplates on the push side each door, as scheduled.

L. FINISH

- 1) All hardware items shall be furnished finish to match existing hardware except as follows:
 - Door Closers: Sprayed Aluminum

M. HARDWARE SETS:

HWS1

Doors: 2165C

Leaf A: Hinges, Push Plate, Electromagnetic Lock, Electromagnetic Door Holder, Closer, Armorplate, Stop.

Leaf B: Hinges, Exit Device, Electromagnetic Door Holder, Closer, Armorplate, Stop.

HWS2

Doors: 2147

Each to have: Hinges, Lockset Function A, Stop.

08800 GLAZING

1. Provide glass and glazing at interior windows (sliding glass) and doors.
2. Products
 - A. Glass:
 - 1) Primary Glass Products: Clear float glass, ASTM C 1036
 - 2) Heat -Treated Glass Products: Heat-strengthened, tempered, ASTM C 1048.
 - B. Glazing Schedule:
 - 1) Sliding Glass Windows: 1/4" inch thick clear tempered glass with finished edges.

- 2) Doors: Tempered glazing as required.

DIVISION 9- FINISHES

09250 GYPSUM BOARD ASSEMBLIES

1. Provide 5/8" gypsum board screw attached to steel framing for interior partitions and at gypsum board soffits.
2. Joint treatment: 3-coat system for application of paint finishes and sheet wall protection.
3. Trim Accessories: Metal cornerbead, edge trim and control joints.
4. Steel Framing: 25 gage or as required to meet L/360 steel studs, depth as scheduled.

09511 ACOUSTICAL PANEL CEILINGS

1. ACT: Armstrong Cortega, 2' x 4' x 5/8" square edge lay-in tile in existing grid system.

09650 RESILIENT FLOORING

- 1) Vinyl Composition Tile (VCT):
 - a) Product to be Armstrong Standard Excelon.
 - b) See flooring pattern plan for location of the following colors:
 - i) VCT-1 (field color) #51899 Cool White
 - ii) VCT-2 (accent color) #51932 Lunar Blue
 - iii) VCT-3 (accent color) #51906 Teal
 - iv) VCT-4 (accent color) #52518 Band Blue
- 2) Resilient Accessories:
 - a) 4" rubber cove base, rolled goods only .
 - i) Manufacturer: Johnsonite
 - ii) Color: #18 Navy Blue
 - b) Transition strips to be located between new and existing VCT flooring at corridor door locations.

09900 PAINTING

1. All areas to receive paint finish shall have a premium 3 coat latex system. All paints are to be low odor and VOC compliant. Provide Benjamin Moor paint products listed below, or

equal. Colors to match California Paint colors indicated.

2. Paint products:
 - A. Gypsum Drywall Primer: Moore Pristine Interior Latex Primer/ Sealer #211
 - B. Ferrous Metal Primer: Moore IronClad Alkyd Low Lustre Metal /Wood Enamel #163
 - C. Undercoat Material for use as primer on wood.
 - D. Drywall Finish Paint Materials
 - 1) Paint-1 Moore Pristine 100% Acrylic Interior Latex Semi Gloss #214 or Moore Pristine 100% Acrylic Eggshell #213, as selected by owner.
 - (a) Colors:
 - (i) Field Color: CW030W Apple Peel
 - (ii) Accent Color: CW0007W Blue Twinkle
 - (iii) Accent Color: 8070W Bermuda Shoal
 - 2) Paint-2 Liquid Vinyl Wallcovering: Polomix Multicolor waterbased paint system.
 - a) Colors:
 - (i) Color A: PN-00041J
 - (ii) Color B: PL-00751 W
 - E. Metal Finish Paint Materials
 - 1) Moore Satin Impervo Enamel #235
 - 2) Color: 8455D Old Amethyst
 - F. Wood Finishing Materials
 - 1) Paste Wood Filler: Benwood Wood Grain Filler tinted to match stain
 - 2) Oil Rubbing Varnish: Moore Benwood Satin Finish Varnish #404.

DIVISION 10- SPECIALTIES

10265 WALL SURFACE PROTECTION SYSTEMS

1. Provide wall surface protection at locations shown on plans. Wall protection to include corner guards, handrails and rolled goods (see handrail detail). Manufacturer to be InPro Corporation (IPC).
2. Provide wall protection as scheduled below at locations shown on plans.

CG1 – 2” x 2” x 4’ Model 164. Color: Serenity

HR - Model 1200. In addition to the handrail, provide a 6 ¼” high band of rigid vinyl sheet adhered to wall at all handrail locations. Color: Brittany Blue

10522 FIRE EXTINGUISHERS AND CABINETS

1. Locate fully recessed fire extinguisher cabinet at location shown on plan. Provide hospital’s standard style.

MAINE MEDICAL CENTER
PainCare RENOVATIONS
PORTLAND, MAINE
OUTLINE MATERIALS SPECIFICATION

4/23/02

2. Recessed Parabolic (2' x 4'):
 - a. Columbia Series 45
 - b. Lamps: Provide hospital's standard lamps and ballasts.
 - c. Location: Office/Reception 2148

3. Recessed Troffer (2' x 4'):
 - a. Columbia Series J
 - b. Lamps: Provide hospital's standard lamps and ballasts.
 - c. Location: Corridors 2147C, 2157C , 2165C

BUILDING PERMIT INSPECTION PROCEDURES

Please call 874-8703 or 874-8693 to schedule your inspections as agreed upon

Permits expire in 6 months, if the project is not started or ceases for 6 months.

The Owner or their designee is required to notify the inspections office for the following inspections and provide adequate notice. Notice must be called in 48-72 hours in advance in order to schedule an inspection:

By initializing at each inspection time, you are agreeing that you understand the inspection procedure and additional fees from a "Stop Work Order" and "Stop Work Order Release" will be incurred if the procedure is not followed as stated below.

Pre-construction Meeting: Must be scheduled with your inspection team upon receipt of this permit. Jay Reynolds, Development Review Coordinator at 874-8632 must also be contacted at this time, before any site work begins on any project other than single family additions or alterations.

- DM N/A* Footing/Building Location Inspection: Prior to pouring concrete
- DM N/A* Re-Bar Schedule Inspection: Prior to pouring concrete
- DM N/A* Foundation Inspection: Prior to placing ANY backfill
- DM ok* Framing/Rough Plumbing/Electrical: Prior to any insulating or drywalling
- DM ok* Final/Certificate of Occupancy: Prior to any occupancy of the structure or use. NOTE: There is a \$75.00 fee per inspection at this point.

Certificate of Occupancy is not required for certain projects. Your inspector can advise you if your project requires a Certificate of Occupancy. All projects DO require a final inspection

ok If any of the inspections do not occur, the project cannot go on to the next phase, REGARDLESS OF THE NOTICE OR CIRCUMSTANCES.

N/A **CERTIFICATE OF OCCUPANCIES MUST BE ISSUED AND PAID FOR, BEFORE THE SPACE MAY BE OCCUPIED**

[Signature]
Signature of applicant/designee

5/21/02
Date

[Signature]
Signature of Inspections Official

5/21/02
Date

CBL: *101-C-009* Building Permit #: *0210430*

DIVISION 2- DEMOLITION AND SITE WORK

SECTION 02050- SELECTIVE DEMOLITION

1. Conform to applicable code for demolition work, dust control, products requiring electrical disconnection and reconnection.
2. Obtain permits required from authorities.
3. Do not close or obstruct egress from any building exit.
4. Do not disable or disrupt building fire or life safety systems without 3 days' prior written notice to Owner.
5. Provide fire watch as directed by hospital safety director when life safety systems are disrupted and during and following welding.
6. All materials are to be removed from the site and disposed of in a legal manner. Care is to be taken to avoid damage to adjacent materials.
7. Prevent movement of structure. Provide bracing and shoring if necessary.
8. Where interior materials contain asbestos, the owner intends to contract for removal of these materials prior to the start of construction.
9. Erect and maintain temporary partitions to prevent spread of dust, odors, and noise. Locate partitions as directed by Owner.

DIVISION 3- CONCRETE

Not Used

DIVISION 5- METALS

SECTION 05120 - STRUCTURAL STEEL

1. Steel framing members shall be ASTM A36 for rolled shapes
2. Fabrication and erection shall conform to "Standard Specifications for Structural Steel for Buildings" of the AISC.

DIVISION 6- WOOD AND PLASTICS

06100 ROUGH CARPENTRY

1. All dimension lumber specified shall be Spruce-Pine-Fir, Eastern Spruce, Eastern Hemlock - Tamarack (North), Southern Pine, or Douglas Fir-Larch.
2. Lumber used for blocking may be number 3 grade. All blocking is to be fire-rated.
3. All lumber shall have maximum moisture content of 19%.
4. Anchors and Fasteners: Non-corrosive, suitable for load and exposure.

06402 INTERIOR ARCHITECTURAL WOODWORK

1. Running trim: Provide Birch running trim, with clear finish, where indicated on drawings.
2. All plastic laminate casework is to be American Woodwork Institute (AWI) "Architectural Woodwork Quality Standards" custom quality, laminate clad.
 - A. Countertops to be plastic laminate with Birch edge trim, clear finish.
 - B. Casework shelves to be plastic laminate with matching PVC edge trim.
 - C. Laminate: High pressure decorative laminate, NEMA LD-3
 - D. Grade: Premium.
 - E. Face Style: Flush overlay.
 - F. Core: Plywood as allowed by grade.
 - G. Colors:
Reception counter, horizontal and vertical surfaces: Formica #505-58 Dusty Jade Grafix
Storage Cabinet, interior and exterior surfaces: Formica 918-58 Neutral White
3. Set and secure materials and components in place, plumb and level. Carefully scribe work abutting other components.
4. Cabinet Hardware:
 - A. Hinges: Blum 170 degree snap-on series, self-closing with doweled hinge cup. Provide quantity of hinges recommended by hinge manufacturer for weight and size of door.
 - B. Shelves at cabinets: Provide Knape and Vogt 255 standards and 256 supports or millworkers system utilizing line borings and metal shelf clips.
 - C. Pulls: Ives wire pulls No 37 (3 1/2")

D. Sliding Window Hardware: Provide Knappe and Vogt sliding door track assembly Model P1092 with Model 965NP adjustable lock.

E. Cabinet Hardware Finishes: US 26D

DIVISION 7- THERMAL AND MOISTURE PROTECTION

07270 FIRESTOPPING

1. Provide firestopping materials at penetrations through fire-resistance-rated floor and roof construction.
2. Provide firestopping materials at penetrations through fire-resistance-rated walls and partitions.
3. Install firestopping materials in conformance with UL Through-Penetration Firestop System requirements for each type of wall or floor construction and type of penetration (cables, pipes, ducts, conduits and other penetrating items).

07900 JOINT SEALANTS

1. Joint sealers interior applications at all vertical and horizontal joints.
2. Latex Joint Sealants:
 - a. Type : Acrylic-emulsion, ASTM C 834.
 - b. Application: Interior joints in vertical and overhead surfaces with limited movement.
- a. Provide the following or equal:
 - 1) "AC-20", Pecora Corp.

DIVISION 8- DOORS AND WINDOWS

08100 HOLLOW METAL DOORS & FRAMES (WELDED ASSEMBLIES)

1. Interior standard hollow metal frames.
2. Standards: ANSI/SDI-100, Recommended Specifications for Standard Steel Doors and Frames.

3. Hollow metal frames to be welded for doors and borrowed lites, 18 ga. steel minimum.
4. Frames to be factory primed and field painted.

08210 WOOD DOORS

1. Solid core, 5 ply, hot pressed to core with exterior Type 1 glue. Flush wood doors, rotary cut Birch .
2. Provide glazed lites.
3. Doors to be factory finished. Clear finish to match existing doors.
4. All doors to be prepared for hardware.

08710 DOOR HARDWARE

1. Fire-Rated Openings: Provide door hardware for fire rated openings that complies with NFPA Standard No. 80 and requirements of authorities having jurisdiction. Provide only items of door hardware that are listed and are identical to products tested by UL, Warnock Hersey, FM, or other testing and inspecting organization acceptable to authorities having jurisdiction for use on types and sizes of doors indicated in compliance with requirements of fire-rated door and door frame labels.
2. Handicapped Accessibility: Provide door hardware that complies with the requirements of A.N.S.I. A117.1, most current addition, and the requirements of authorities having jurisdiction. Door hardware shall be installed in compliance with A.N.S.I. A117.1. Omissions or discrepancies in the documents which would prevent the installation of door hardware in compliance with A.N.S.I. A117.1 shall be brought to the attention of the architect, accompanied with alternatives which do comply with above standards, at or prior to the closing date for issuance of addenda. After this date the bid price will be understood to include hardware which complies with A.N.S.E. A117.1.
3. The finish hardware specified for this project shall be guaranteed against defects in material and workmanship for a period of (1) year from date of completion and acceptance of this building. In addition, door closers shall carry a guarantee of five (5) years from date of completion and acceptance of this building.
4. If an item of hardware is found to be defective by reasons of defects in material and workmanship, it shall be replaced by the hardware supplier at no charge to the owner. The installation of the replacement item shall be the responsibility of the general contractor if

within the building guarantee period specified under general conditions, or by the owner if beyond the building guarantee period.

5. PRODUCTS

A. DOOR HARDWARE:

1. Quality Level: Heavy duty commercial type.
2. Locksets and Latchsets: Mortise type. Sargent 8200 Series L Style Handle Design with LN rose.
3. Lock Cylinders: Interchangeable type.

The following is a list of lock functions as indicated under "hardware sets":

<u>FUNCTION</u>	<u>ANSI</u>	<u>SARGENT</u>
A Storage	F07	04
B Office	F04	05
C Passage	F01	15
D Classroom	F05	37
E Entrance	F09	16
F Privacy	F22	65

4. Keying: Owner's requirements. Match existing keying and key control system. Provide (3) keys for each cylinder.

B. HINGES

- 1) All hinges for this project shall be, stainless steel, solid bronze, ball bearing or oil impregnated bearing type, except as noted.
- 2) The following is a guide for hinge size (height) and type required for this specification.

a. MANUFACTURER

1 3/4" Doors up to 3'-0" wide .134 gauge	Stanley	FBB179-4 1/2"
	Hager	BB1279-4 1/2"
	McKinney	TA-TB2714-4 1/2"
1 3/4" Doors over 3'-0" wide .180 gauge	Stanley	FBB168-4 1/2"
	Hager	BB1168-4 1/2"
	McKinney	T4A-T4B3786-4 2"

b. The width of hinges shall be sufficient to clear all trim.

c. Hinges of foreign manufacture shall not be considered acceptable for this project.

3) Two hinges shall be provided for each door leaf up to and including five feet (5'-0") in height. An additional hinge shall be required for each additional two and one half feet (2'6") or fraction thereof in height.

E. DOOR CLOSERS:

1) All door closers for this project shall be the product of one manufacturer, and shall have cast iron or cast aluminum body with full cover. Door closers shall be full rack and pinion type construction, non-handed and non-sized with adjustable back-check effective at 70 degrees for both standard and parallel arm mounting. Door closer size shall be approximately 12 1/4" x 2" x 2 3/8" projection.

2) The following products will be considered acceptable for this project:

LCN -4010 or 4110 Series
Sargent - 1250 - 1251

3) Door closers mounted on corner brackets, or top jamb application, shall not be permitted.

4) Provide hold open arms, where specified, in accordance with the hardware set numbers.

5) Where door closers are noted to require delayed action feature, provide closers as specified herein, but having a separate delayed action valve, to permit adjustment of delayed action cycle. When adjusted, the door closer shall close at a controlled rate of speed, through the delayed action cycle range.

6) The installing contractor shall be responsible for proper installation of door closers in accordance with degree of opening indicated on hardware schedule. The installing contractor shall be responsible for adjustment of the three individual valves, for proper control of closing speed, latching speed, and delayed action, or backcheck. Spring power adjustments shall also be the responsibility of the installing contractor.

7) Where top rail of door is insufficient in width to mount the closer directly to the rail, please advise the Architect. Use of drop brackets shall be avoided if possible.

- 8) All door closers shall be listed by Underwriters Laboratories for use on self closing fire rated doors.

F. DOOR STOPS:

- 1) Wall type bumpers with a concealed type flange shall be used wherever possible and be one of the following:

Ives	407 1/2
Door Controls	3211T
Rockwood	409
Hager	237W

G. SILENCERS:

- 1) Provide rubber silencers for all interior pressed steel (hollow metal) frames. Silencers shall be pneumatic type 1/2" diameter with 1/8" projection.
- 2) Provide 3 silencers for the strike jamb of metal frames for single doors and two for the head for metal frames for pairs of doors.

H. ELECTROMAGNETIC DOOR HOLDERS:

- 1) Re-use existing hardware.

I. ELECTROMAGNETIC LOCKS:

- 1) Re-use existing hardware, including lock and keypad. Tie into existing fire alarm system. Hardware must unlock in case of power failure or fire alarm activation.

J. EXIT DEVICES

- 1) Where called for in the hardware sets, provide Sargeant 8700 series vertical rod exit device, with top and bottom strikes. Vertical rod to be operated by touch pad. No trim on opposite side.

K. PUSH PLATES

- 1) Manufacturer: Rockwood
- 2) Size: 4" x 16"

K. KICKPLATES AND ARMORPLATES

- 1) Armorplates shall be 0.06 inch thick rigid vinyl with factory applied adhesive backing.
 - a) Manufacturer: InPro Corporation
 - b) Color: Brittany Blue
 - c) Size: 36" high x 1" less door width for pairs of doors. Provide armorplates on the push side each door, as scheduled.

L. FINISH

- 1) All hardware items shall be furnished finish to match existing hardware except as follows:
 - Door Closers: Sprayed Aluminum

M. HARDWARE SETS:

HWS1

Doors: 2165C

Leaf A: Hinges, Push Plate, Electromagnetic Lock, Electromagnetic Door Holder, Closer, Armorplate, Stop.

Leaf B: Hinges, Exit Device, Electromagnetic Door Holder, Closer, Armorplate, Stop.

HWS2

Doors: 2147

Each to have: Hinges, Lockset Function A, Stop.

08800 GLAZING

1. Provide glass and glazing at interior windows (sliding glass) and doors.
2. Products
 - A. Glass:
 - 1) Primary Glass Products: Clear float glass, ASTM C 1036
 - 2) Heat -Treated Glass Products: Heat-strengthened, tempered, ASTM C 1048.
 - B. Glazing Schedule:
 - 1) Sliding Glass Windows: 1/4" inch thick clear tempered glass with finished edges.

- 2) Doors: Tempered glazing as required.

DIVISION 9- FINISHES

09250 GYPSUM BOARD ASSEMBLIES

1. Provide 5/8" gypsum board screw attached to steel framing for interior partitions and at gypsum board soffits.
2. Joint treatment: 3-coat system for application of paint finishes and sheet wall protection.
3. Trim Accessories: Metal cornerbead, edge trim and control joints.
4. Steel Framing: 25 gage or as required to meet L/360 steel studs, depth as scheduled.

09511 ACOUSTICAL PANEL CEILINGS

1. ACT: Armstrong Cortega, 2' x 4' x 5/8" square edge lay-in tile in existing grid system.

09650 RESILIENT FLOORING

- 1) Vinyl Composition Tile (VCT):
 - a) Product to be Armstrong Standard Excelon.
 - b) See flooring pattern plan for location of the following colors:
 - i) VCT-1 (field color) #51899 Cool White
 - ii) VCT-2 (accent color) #51932 Lunar Blue
 - iii) VCT-3 (accent color) #51906 Teal
 - iv) VCT-4 (accent color) #52518 Band Blue
- 2) Resilient Accessories:
 - a) 4" rubber cove base, rolled goods only.
 - i) Manufacturer: Johnsonite
 - ii) Color: #18 Navy Blue
 - b) Transition strips to be located between new and existing VCT flooring at corridor door locations.

09900 PAINTING

1. All areas to receive paint finish shall have a premium 3 coat latex system. All paints are to be low odor and VOC compliant. Provide Benjamin Moor paint products listed below, or

equal. Colors to match California Paint colors indicated.

2. Paint products:

- A. Gypsum Drywall Primer: Moore Pristine Interior Latex Primer/ Sealer #211
- B. Ferrous Metal Primer: Moore IronClad Alkyd Low Lustre Metal /Wood Enamel #163
- C. Undercoat Material for use as primer on wood.
- D. Drywall Finish Paint Materials
 - 1) Paint-1 Moore Pristine 100% Acrylic Interior Latex Semi Gloss #214 or Moore Pristine 100% Acrylic Eggshell #213, as selected by owner.
 - (a) Colors:
 - (i) Field Color: CW030W Apple Peel
 - (ii) Accent Color: CW0007W Blue Twinkle
 - (iii) Accent Color: 8070W Bermuda Shoal
 - 2) Paint-2 Liquid Vinyl Wallcovering: Polomix Multicolor waterbased paint system.
 - a) Colors:
 - (i) Color A: PN-00041J
 - (ii) Color B: PL-00751 W
- E. Metal Finish Paint Materials
 - 1) Moore Satin Impervo Enamel #235
 - 2) Color: 8455D Old Amethyst
- F. Wood Finishing Materials
 - 1) Paste Wood Filler: Benwood Wood Grain Filler tinted to match stain
 - 2) Oil Rubbing Varnish: Moore Benwood Satin Finish Varnish #404.

DIVISION 10- SPECIALTIES

10265 WALL SURFACE PROTECTION SYSTEMS

- 1. Provide wall surface protection at locations shown on plans. Wall protection to include corner guards, handrails and rolled goods (see handrail detail). Manufacturer to be InPro Corporation (IPC).
- 2. Provide wall protection as scheduled below at locations shown on plans.

CG1 – 2” x 2” x 4’ Model 164. Color: Serenity

HR - Model 1200. In addition to the handrail, provide a 6 ¼” high band of rigid vinyl sheet adhered to wall at all handrail locations. Color: Brittany Blue

10522 FIRE EXTINGUISHERS AND CABINETS

- 1. Locate fully recessed fire extinguisher cabinet at location shown on plan. Provide hospital’s standard style.

10800 TOILET AND BATH ACCESSORIES

1. Toilet accessories at Procedure Rooms #4 and 5 are to include the following:
 - a. Paper towel dispenser - Bobrick Model B-26212, surface mounted
 - b. Framed tilt mirror – Bobrick Model B-293 18” wide x 30” high
2. Soap dispensers are to be provided and installed by Owner.

DIVISIONS 11- 14

Not Used

DIVISION 15- MECHANICAL

15410 PLUMBING FIXTURES

A. ADA LAVATORY (P-1)

1. Vitreous China Basin:
 - a. Manufacturer: Eljer Signature Model 051-2104
 - b. Drilling Centers: 4 inch
2. Faucet:
 - a. Chicago Model 895-317-xk
3. Trim:
 - a. McGuire #8902 1-1/4” x 1-1/2” P-trap with clean out plug and escutcheon.
 - b. McGuire #170LK brass angle supplies and escutcheons.
 - c. Truebro Handi Lav-Guard insulation kit for all exposed piping beneath lavatory.
4. Wall Mounted Carrier:
 - a. Zurn Model Z-1231

DIVISION 16- ELECTRICAL

A. LIGHT FIXTURES:

1. Recessed Downlights:
 - a. Prescolite Model #H41C-T42C
 - b. Lamps: 50W, PAR 20 Halogen
 - c. Location : Reception counter soffit

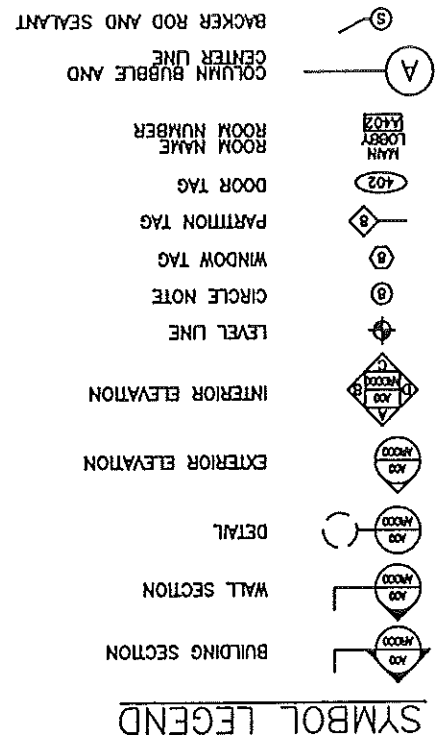
2. Recessed Parabolic (2' x 4'):
 - a. Columbia Series 45
 - b. Lamps: Provide hospital's standard lamps and ballasts.
 - c. Location: Office/Reception 2148

3. Recessed Troffer (2' x 4'):
 - a. Columbia Series J
 - b. Lamps: Provide hospital's standard lamps and ballasts.
 - c. Location: Corridors 2147C, 2157C , 2165C

ABBREVIATIONS

Table of abbreviations for architectural and construction terms, including A/C AIR CONDITIONING CONDENSER UNIT, AB ANCHOR BOLT, AC ACROUSTIC PLASTER, and A/C AIR CONDITIONING CONDENSER UNIT.

Grid No. Title, Scale, Reference Sheet table.



GENERAL NOTES:

- 1. DO NOT SCALE DRAWINGS.
2. THE CONTRACTOR AND ALL TRADES SHALL NOTE REQUIREMENTS OF "GENERAL NOTES" ON ALL SHEETS.
3. FIELD VERIFY ALL DIMENSIONS AND LAYOUT PRIOR TO PROCEEDING WITH WORK. NOTIFY ARCHITECT IN WRITING OF ANY DISCREPANCIES OR INCONSISTENCIES. FAILURE TO REPORT ANY DISCREPANCIES WITHIN THESE CONSTRUCTION DOCUMENTS TO THE ARCHITECT WILL NOT BE GROUNDS FOR ADDITIONAL COST OR CHANGE ORDERS.

ISSUED FOR CONSTRUCTION 4-23-02



DRAWING LIST table with columns for drawing number and description, including AD101 DEMOLITION PLAN, AE101 FLOOR PLAN, AE102 REFLECTED CEILING PLAN, and AF101 FLOOR PATTERN PLAN.

MAINE MEDICAL CENTER PainCare RENOVATIONS PORTLAND, MAINE

SCALE: N.T.S.
PROJECT MANAGER: CFG
JOB CAP/DRAWN: MDR/CW
A/E OF RECORD: ELB
SMART CAD FILE: G1001-02026
PROJECT No. 02026
DATE: 4/23/02

PROJECT: MAINE MEDICAL CENTER PAIN CARE RENOVATIONS COVER SHEET
ARCHITECTURE ENGINEERING PLANNING
144 Fore Street/P.O. Box 618 PORTLAND, MAINE 04104
tel. (207) 772-3846 / fax. (207) 772-1070

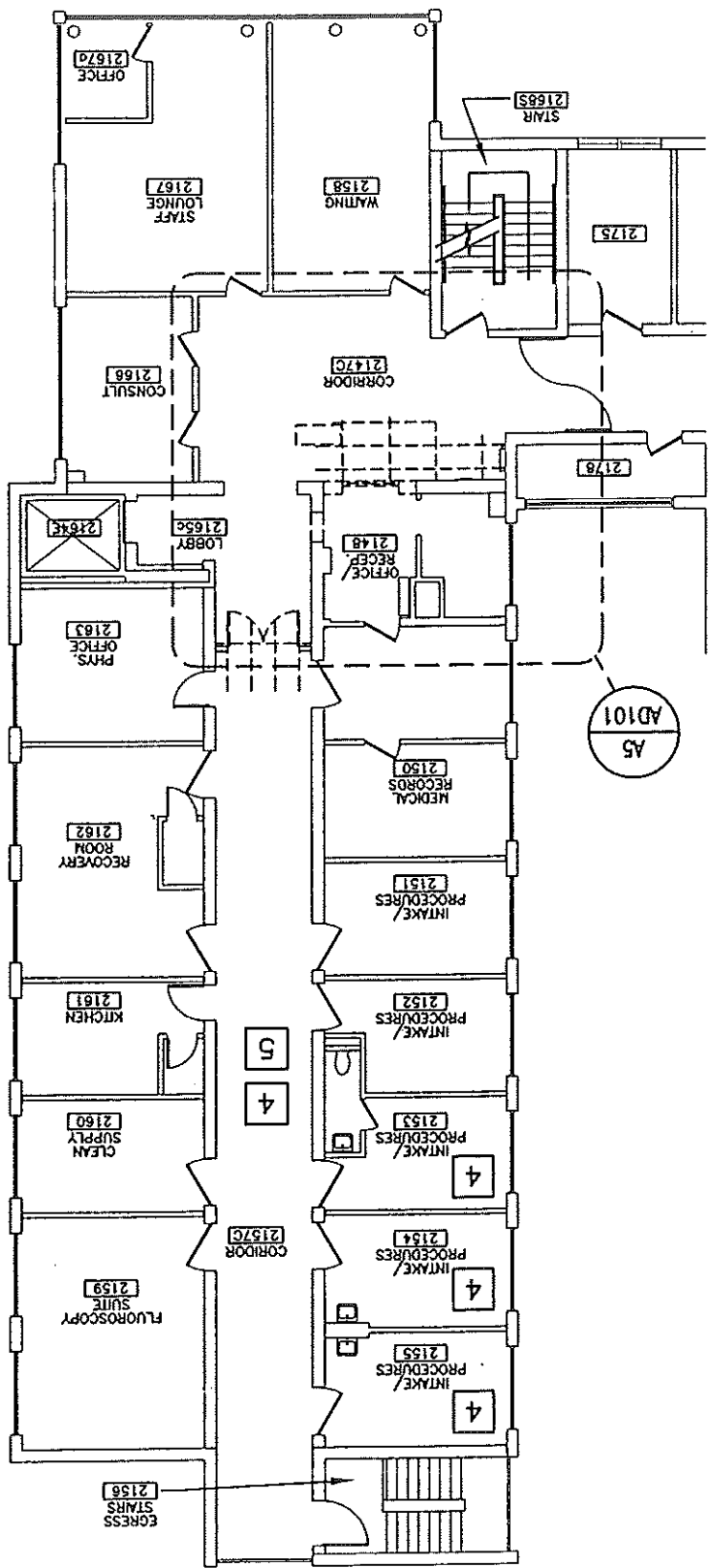


G1001 SHEET No.
© COPYRIGHT 2002 SMRT INC.

1/16" = 1'-0"

*

DEMOLITION PLAN

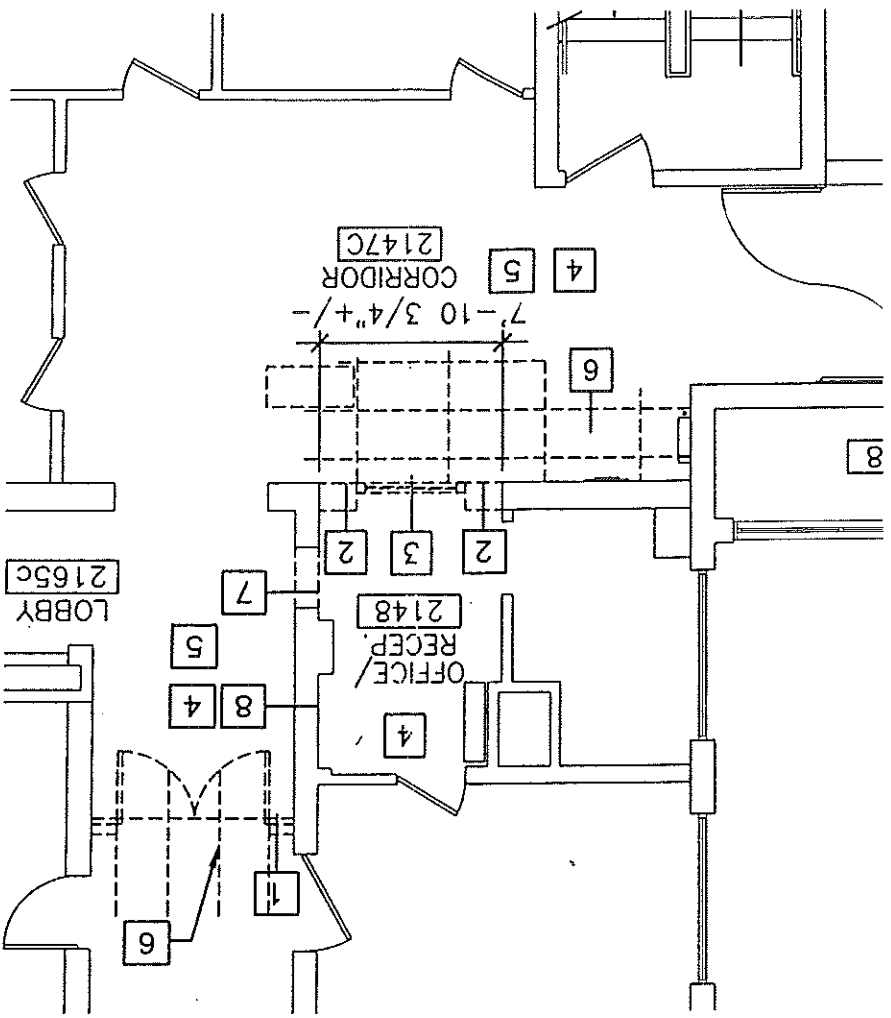


1/8" = 1'-0"

*

A5

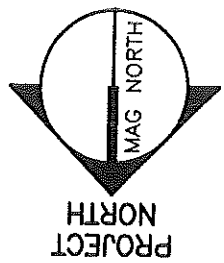
ENLARGED DEMOLITION PLAN



ISSUED FOR CONSTRUCTION 4-23-02

AD101

A1



- DEMOLITION KEY:**
- 1 REMOVE EXISTING WALL, DOORS, HARDWARE, AND FRAME. RETAIN ELECTROMAGNETIC LOCK, KEYPAD AND ELECTROMAGNETIC DOOR HOLDERS FOR RE-USE.
 - 2 REMOVE PORTION OF EXISTING MASONRY WALL FOR NEW UNTEL AND OPENING.
 - 3 REMOVE PORTION OF EXISTING WALL, WINDOW, HARDWARE AND FRAME.
 - 4 REMOVE EXISTING FLOORING.
 - 5 REMOVE EXISTING CEILING PANELS AND LIGHT FIXTURES, WHERE NECESSARY FOR INSTALLATION OF NEW CEILING PANELS, REMOVE CEILING MOUNTED EQUIPMENT INCLUDING NURSE CALL LIGHT, EXIT SIGNS, SMOKE DETECTOR HEADS, SPEAKERS, ANTENNA, ETC. AND RETAIN FOR RE-USE, RETAIN EXISTING WIRING AND CIRCUITS WHERE POSSIBLE.
 - 6 REMOVE EXISTING CEILING GRID IN ADDITION TO KEY 5.
 - 7 REMOVE EXISTING DOOR FRAME AND GRP. BD. WALL INFILL.
 - 8 REMOVE AND RELOCATE EXISTING WALL MOUNTED FIRE EXTINGUISHER.

- GENERAL DEMOLITION NOTES:**
1. COORDINATE EXTENT OF DEMOLITION WITH LOCATIONS OF PARTITIONS DESCRIBED ON PLANS AND WITH LOCATIONS OF FINISHES NOTED AS EXISTING TO REMAIN.
 2. ANY WALL, PARTITION OR SURFACE DISTURBED BECAUSE OF NEW WORK OR DEMOLITION SHALL BE PATCHED AND FINISHED CONTIGUOUSLY TO THE NEAREST CORNER UNLESS NOTED OTHERWISE, MATCH EXISTING ADJACENT CONSTRUCTION FINISHES, CONTINUITY AND FIRE RATINGS UNLESS NOTED OTHERWISE.
 3. PROTECT ALL FINISHES, MATERIALS AND EQUIPMENT NOTED AS EXISTING TO REMAIN. CONTRACTOR SHALL BE RESPONSIBLE TO REPLACE ALL FINISHES, MATERIALS AND EQUIPMENT DAMAGED DURING CONSTRUCTION.
 4. DIMENSIONS INDICATED ± ARE EXISTING CONDITION DIMENSIONS TO BE VERIFIED IN FIELD.

SHEET No. AD101

SCALE: AS SHOWN

PROJECT MANAGER: CFG

JOB CAP/DRAWN: MDR

A/E OF RECORD: ELB

PROJECT No. 02026

DATE: 4/23/02

ARCHITECTURE ENGINEERING PLANNING

SMART

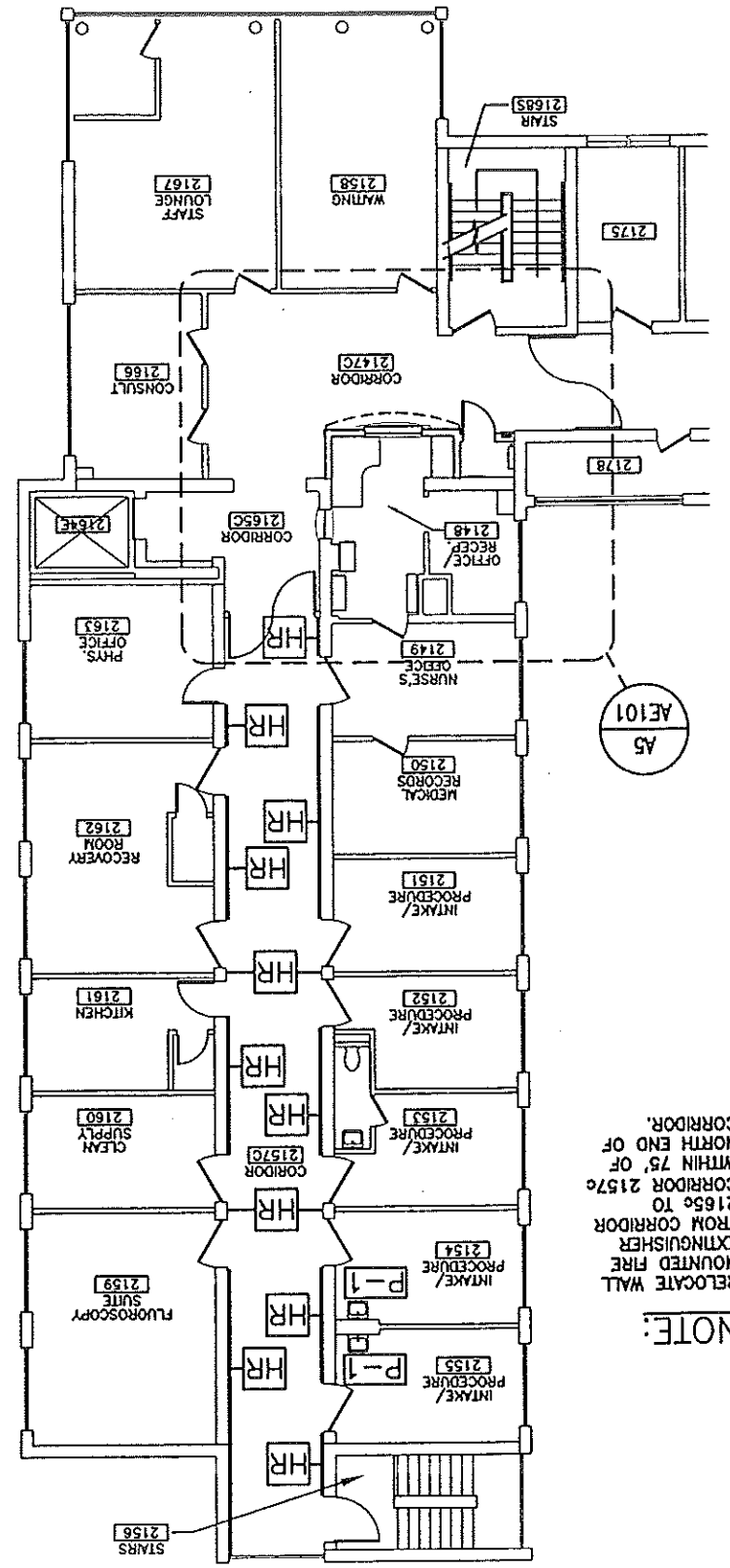
144 Fore Street/P.O. Box 618 PORTLAND, MAINE 04104
tel. (207) 772-3846 / fax. (207) 772-1070

PROJECT: MAINE MEDICAL CENTER PAIN CARE RENOVATIONS

SUBJECT: DEMO PLAN



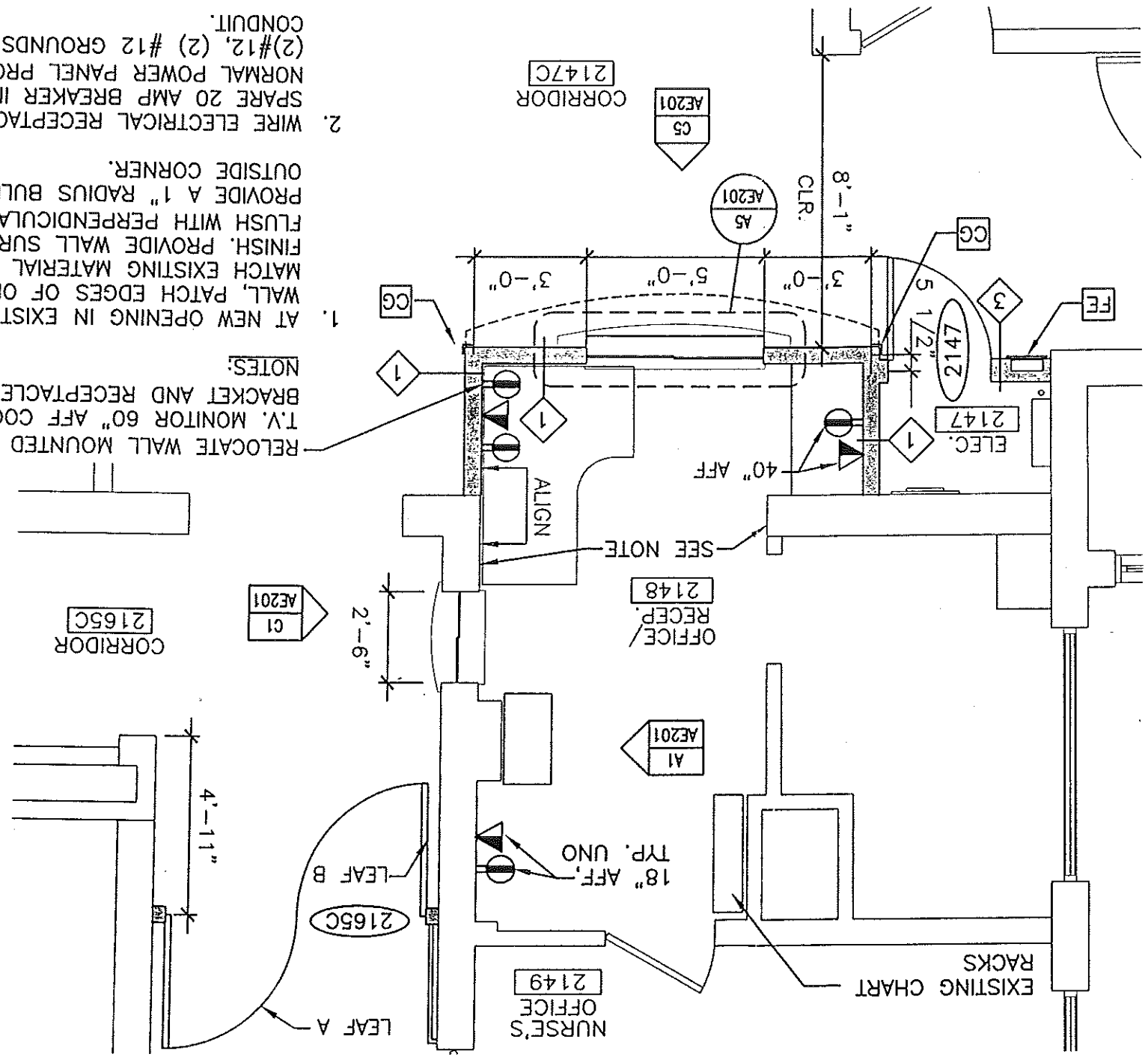
A1
1/16" = 1'-0"



NOTE:
RELOCATE WALL MOUNTED FIRE EXTINGUISHER FROM CORRIDOR 2155 TO 2156 TO CORRIDOR 2157E WITHIN 75' OF NORTH END OF CORRIDOR.

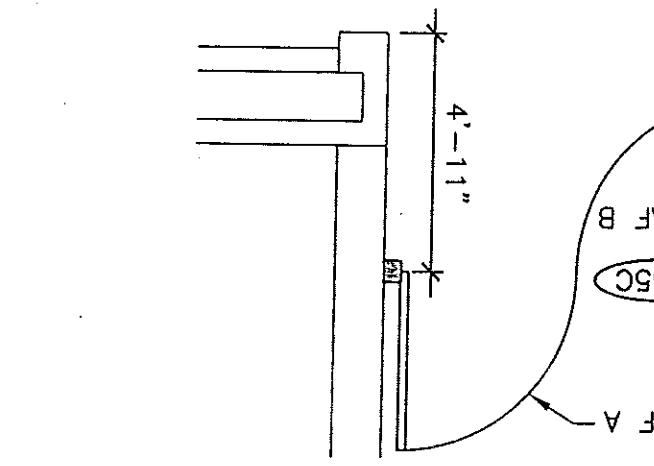
FLOOR PLAN
1/4" = 1'-0"

A5
ENLARGED FLOOR PLAN



NOTES:
1. AT NEW OPENING IN EXISTING CMU WALL, PATCH EDGES OF OPENING TO MATCH EXISTING WALL SURFACE FINISH. PROVIDE WALL SURFACE FLUSH WITH PERPENDICULAR WALLS. PROVIDE A 1" RADIUS BULLNOSE AT OUTSIDE CORNER.
2. WIRE ELECTRICAL RECEPTACLES TO SPARE 20 AMP BREAKER IN LOCAL NORMAL POWER PANEL PROVIDE (2)#12, (2) #12 GROUNDS IN 3/4" CONDUIT.

RELOCATE WALL MOUNTED SECURITY T.V. MONITOR 60" AFF COORDINATE BRACKET AND RECEPTACLE LOCATIONS.



PARTITION TYPES:
1 3/8" METAL STUDS AT 24" O.C. TO 6" ABOVE CEILING, 5/8" GWB BOTH SIDES. BATT INSULATION
2 NOT USED
3 6" METAL STUDS AT 24" O.C. TO 6" ABOVE CEILING, 5/8" GWB BOTH SIDES.

KEY:
HR HANDRAIL LOCATIONS
CG CORNER GUARDS
FE FIRE EXTINGUISHER CABINET
P-1 PLUMBING FIXTURE. SEE OUTLINE SPECIFICATIONS. CONNECT TO EXISTING PLUMBING.
HOSPITAL GRADE DUPLEX RECEPTACLE NEMA 5-20R
VOICE/ DATA RECEPTACLE COORDINATE REQUIREMENT WITH OWNER.

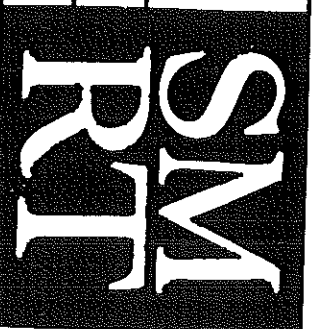


ISSUED FOR CONSTRUCTION
4-23-02

AF101
SHEET No.

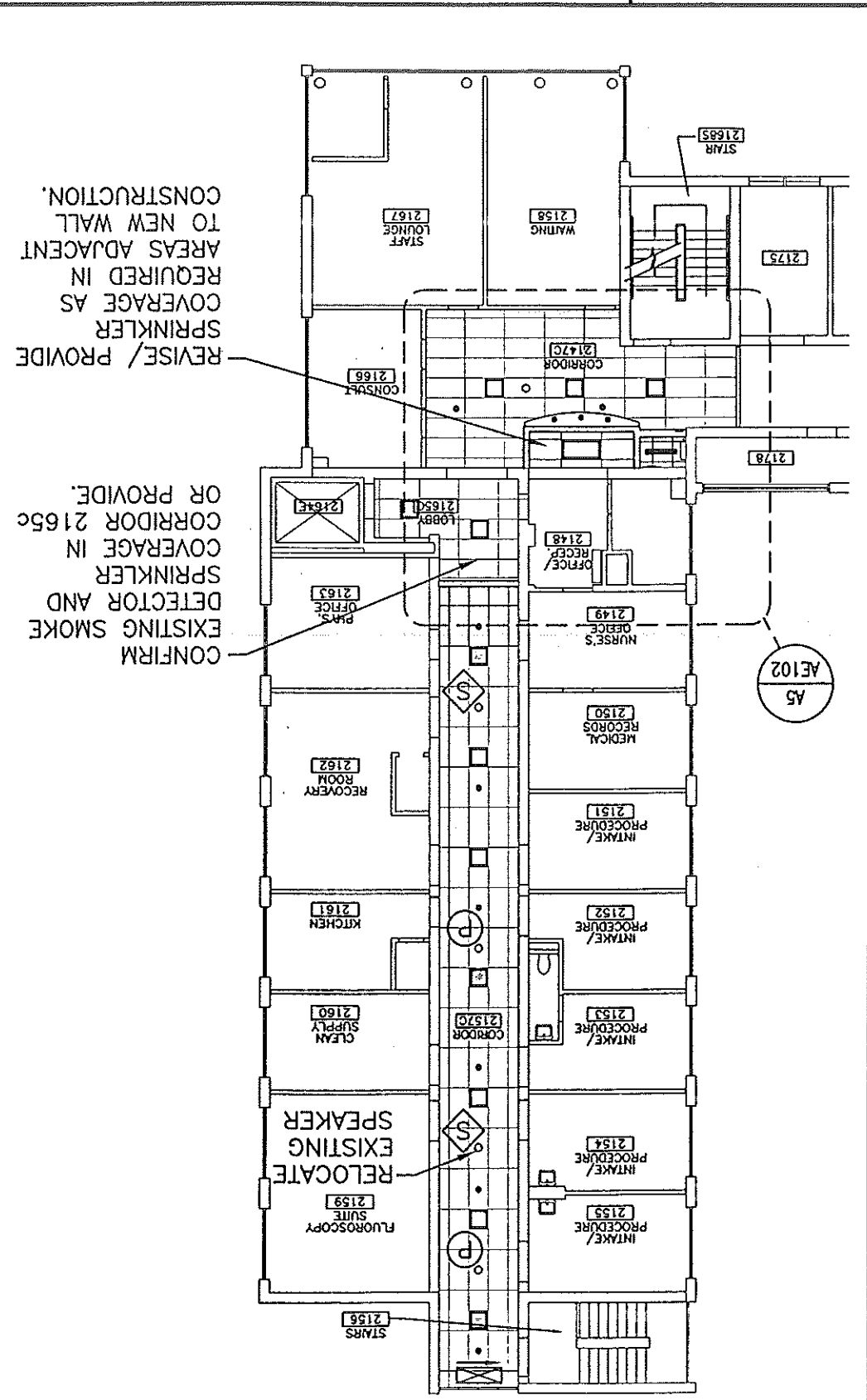
SCALE: AS SHOWN
PROJECT MANAGER: CFG
JOB CAP/DRAWN: MDR/CW
A/E OF RECORD: ELB
SMRT CAD FILE: AE101-02026
PROJECT No. 02026
DATE: 4/23/02

ARCHITECTURE ENGINEERING PLANNING
SMRT
144 Fore Street/P.O. Box 618 PORTLAND, MAINE 04104
tel. (207) 772-3846 / fax. (207) 772-1070
PROJECT: MAINE MEDICAL CENTER PAIN CARE RENOVATIONS
SUBJECT: FLOOR PLAN



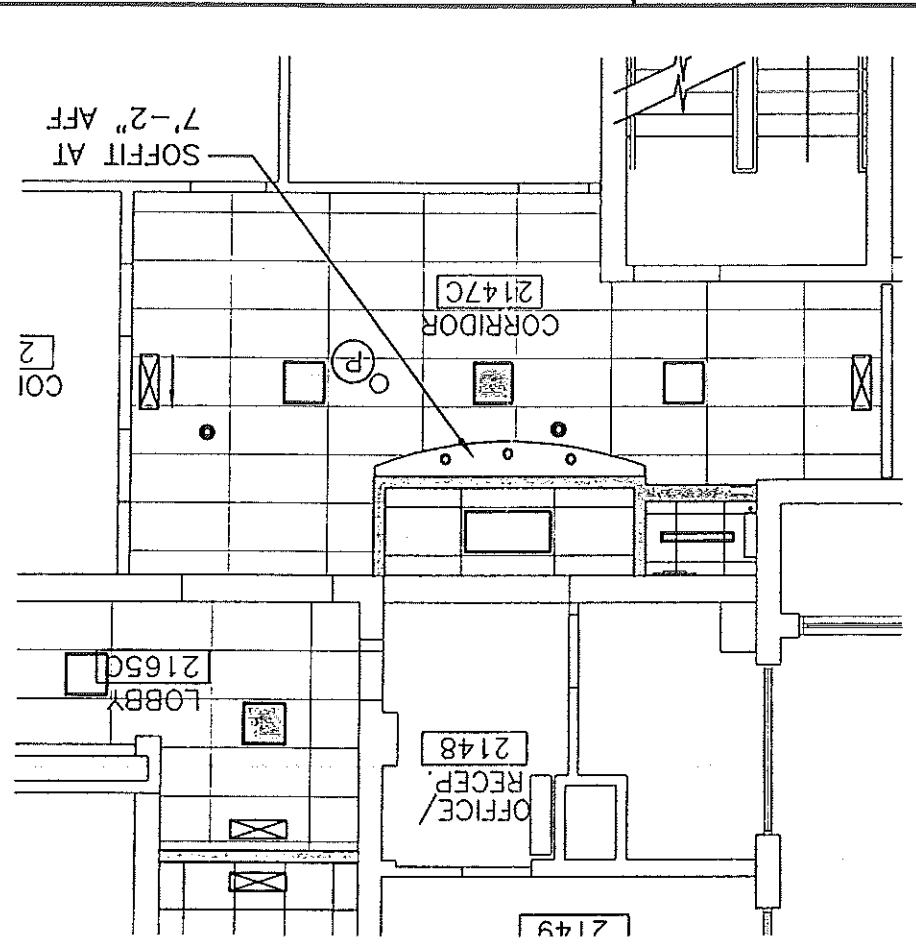
A1
1/16" = 1'-0"

REFLECTED CEILING PLAN



A5
1/8" = 1'-0"

ENLARGED CEILING PLAN

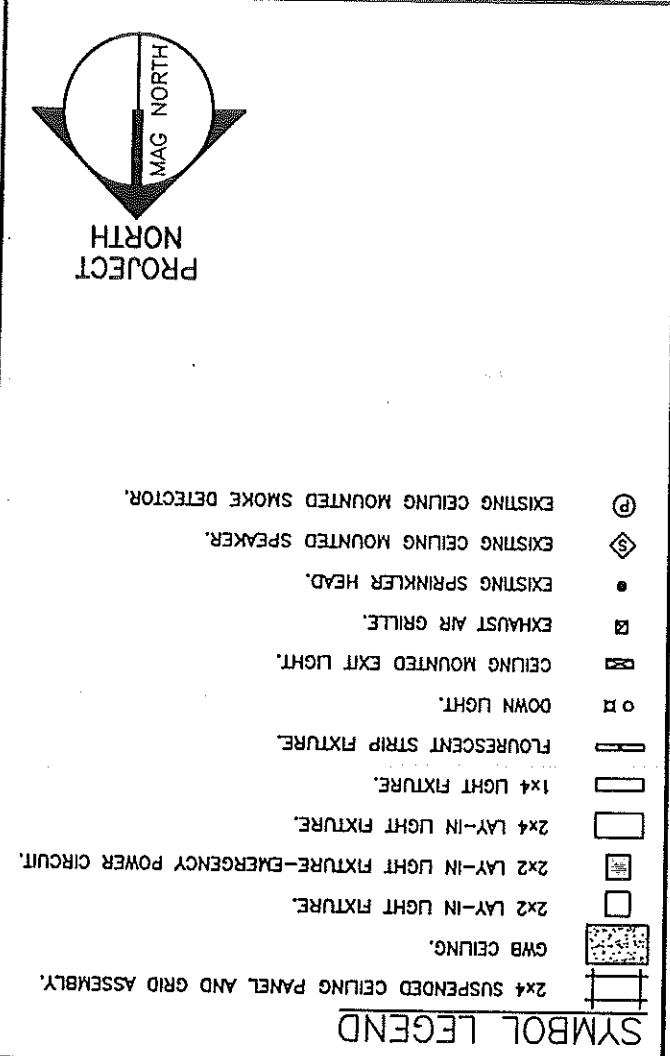


ELECTRICAL NOTES

1. RE-USE EXISTING LIGHTING CIRCUITS FOR NORMAL AND EMERGENCY POWER
2. WIRE LIGHT FIXTURES TO EXISTING SWITCH LOCATIONS.
3. REINSTALL CEILING MOUNTED ELECTRICAL DEVICES. RE-USE EXISTING WIRING WHERE POSSIBLE.
4. SPRINKLER CONTRACTOR TO PROVIDE SPRINKLER COVERAGE PER NFPA 13, LIGHT HAZARD.

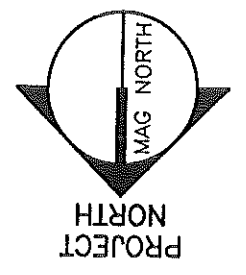
SPRINKLER NOTES

ISSUED FOR CONSTRUCTION
4-23-02



REFLECTED CEILING NOTES

1. AT NEW FIRE SPRINKLER HEAD LOCATIONS, FIRE SPRINKLERS SHALL BE LOCATED IN ALIGNMENT WITH OTHER CEILING TEAMS.
2. AT LOCATIONS WHERE EXISTING CEILING-MOUNTED EQUIPMENT IS RE-INSTALLED, ALIGN CEILING TEAMS WITH COMMON CENTERLINES, TYPICALLY, CENTER TEAMS IN CEILINGS, OR IN AREAS UNLESS INDICATED OTHERWISE.
3. CEILING HEIGHT IS AS SCHEDULED ON AE601 TYPICAL.
4. CLEAN EXISTING CEILING GRID PRIOR TO INSTALLATION OF ACT TILES.

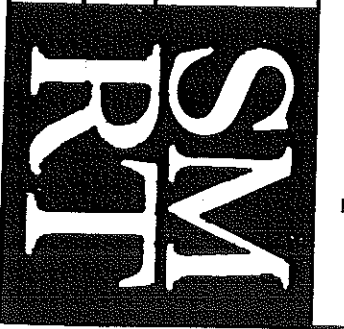


AE102
SHEET No.

SCALE: AS SHOWN
PROJECT MANAGER: CFG
JOB CAP/DRAWN: MDR/CW
A/E OF RECORD: ELB
SMRT CAD FILE: AE102-02026
PROJECT No. 02026
DATE: 4/23/02

ARCHITECTURE ENGINEERING PLANNING
SMRT
144 Fore Street/P. O. Box 618 PORTLAND, MAINE 04104
tel. (207) 772-3846 / fax. (207) 772-1070

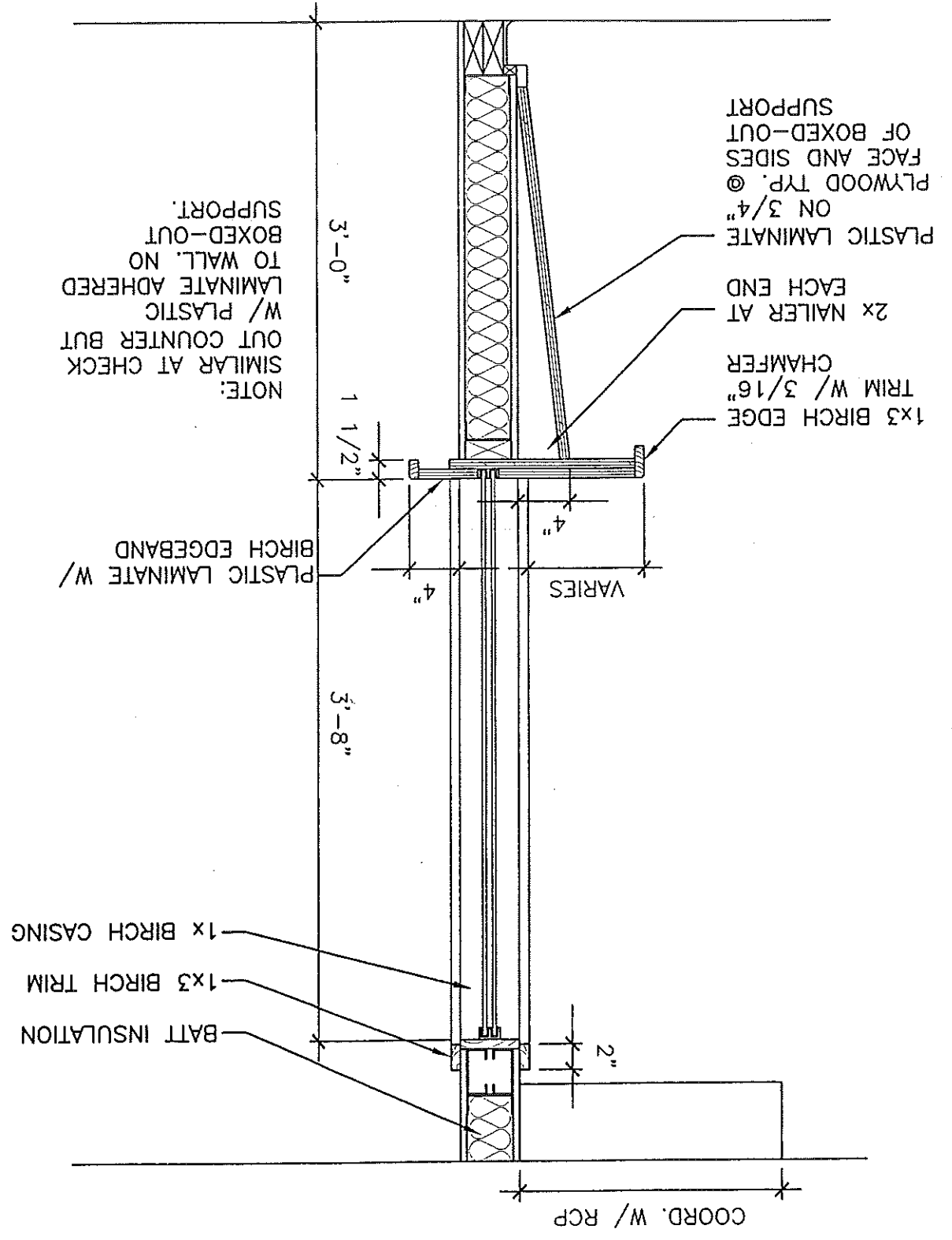
PROJECT:
MAINE MEDICAL CENTER
PAIN CARE RENOVATIONS
REFLECTED CEILING PLAN



1" = 1'-0"

*

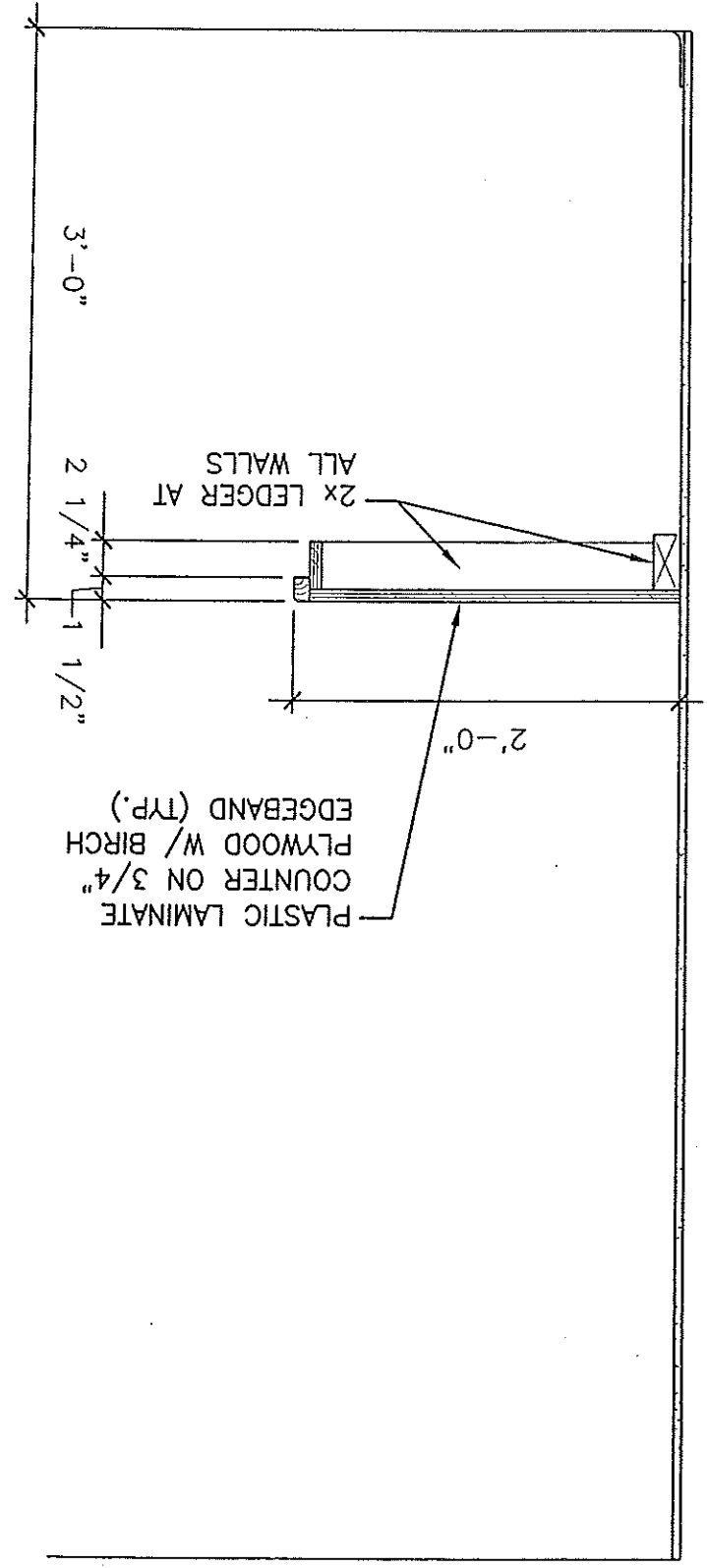
SECTION AT CHECK-IN RECEPTION AT DESK



1" = 1'-0"

*

SECTION AT WORK COUNTER (TYP.)



A1

A5

ISSUED FOR CONSTRUCTION 4-23-02

AE501

SHEET No.

SCALE: N/A

PROJECT MANAGER: CFG

JOB CAP/DRAWN: MDR/CW

A/E OF RECORD: ELB

SMART CAD FILE: AE501-02026

PROJECT No. 02026

DATE: 4/23/02

ARCHITECTURE ENGINEERING PLANNING

SMART

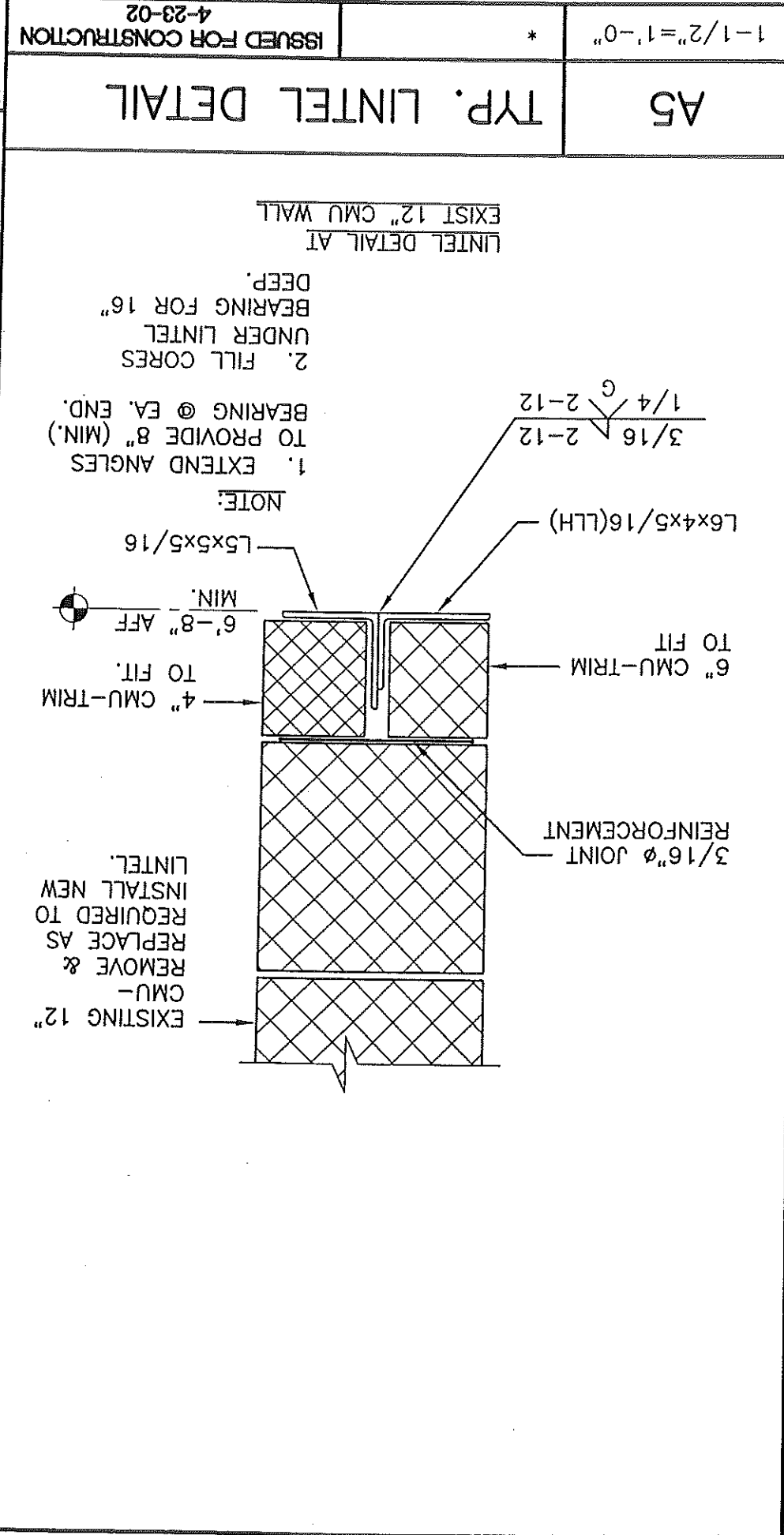
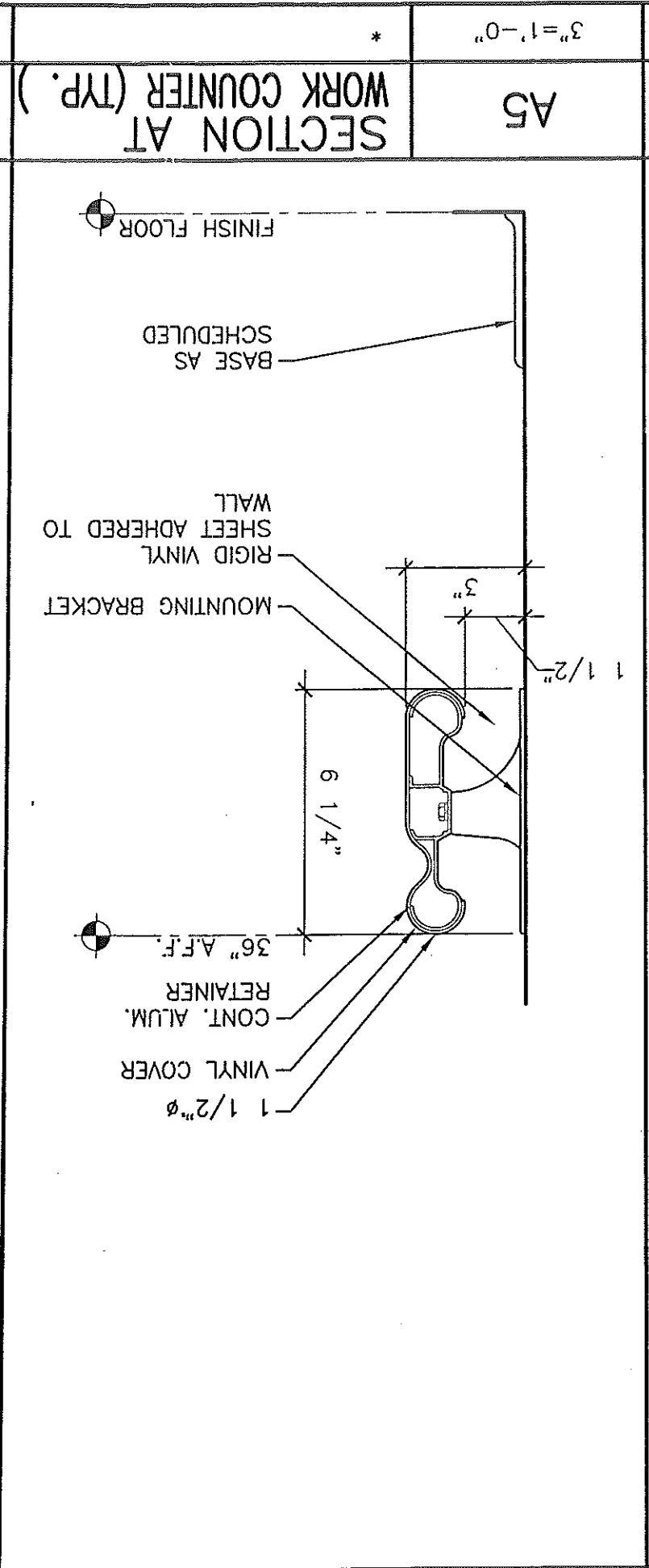
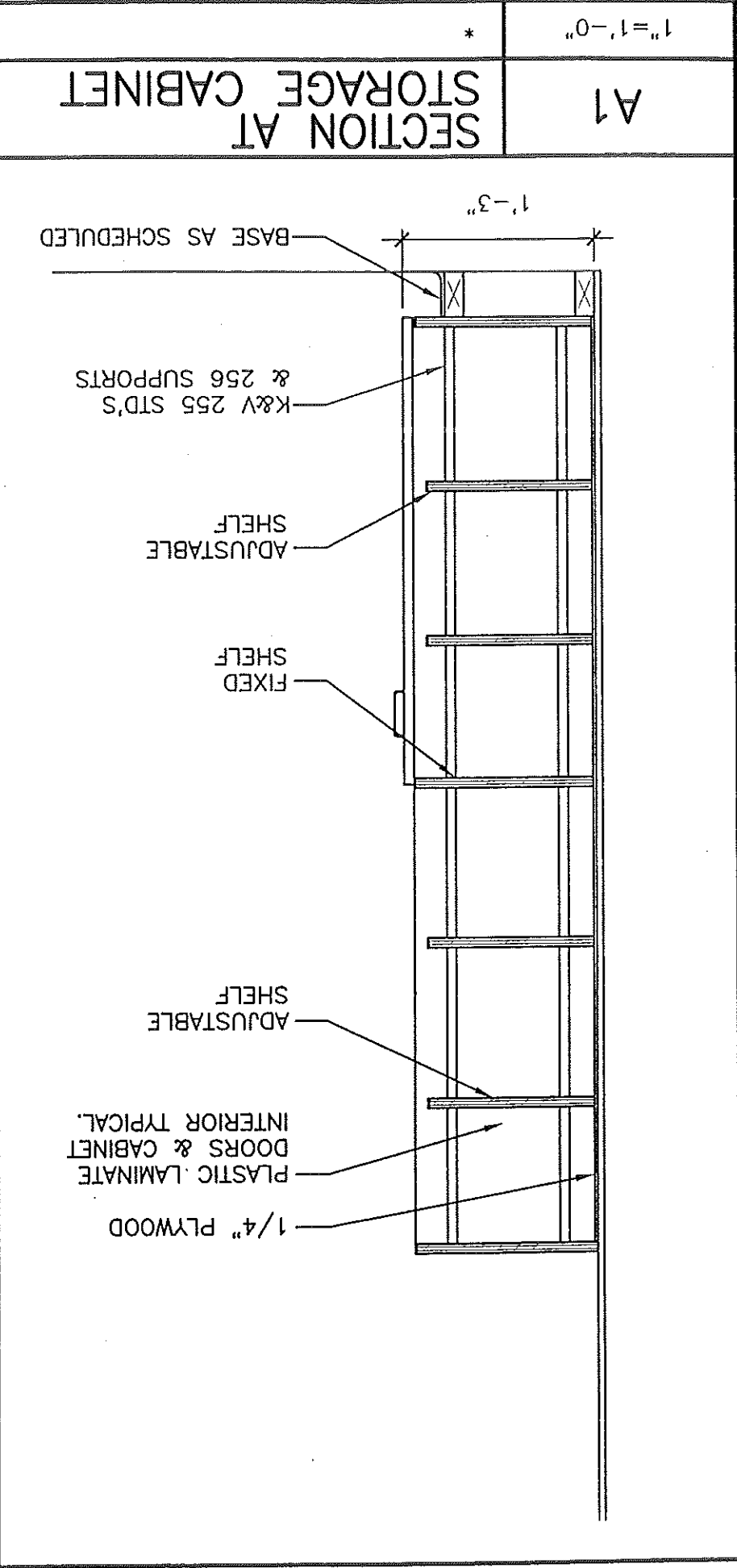
144 Fore Street/P.O. Box 618 PORTLAND, MAINE 04104

tel. (207) 772-3846 / fax. (207) 772-1070

PROJECT: MAINE MEDICAL CENTER PAIN CARE RENOVATIONS

CASEWORK DETAILS





AE502 SHEET No. **ISSUED FOR CONSTRUCTION** 4-23-02

SCALE: N/A

PROJECT MANAGER: CFG

JOB CAP/DRAWN: MDR/CW

A/E OF RECORD: ELB

SMART CAD FILE: AE502-02026

PROJECT No. 02026

DATE: 4/23/02

ARCHITECTURE ENGINEERING PLANNING

SMART

144 Fore Street/P.O. Box 618 PORTLAND, MAINE 04104
Tel. (207) 772-3846 / Fax. (207) 772-1070

PROJECT: MAINE MEDICAL CENTER PAIN CARE RENOVATIONS

SUBJECT: CASEWORK DETAILS





ROOM FINISH SCHEDULE

ROOM NUMBER	ROOM NAME	FLOOR	BASE	WALLS				CEILING	ROOM NUMBER	REMARKS	
				NORTH	SOUTH	EAST	WEST				
2147	ELECTRICAL	VCT	RUBBER	PAINT 1	PAINT 1	PAINT 1	PAINT 1	ACT	7'-8"	2147	
2147c	CORRIDOR	VCT	RUBBER	PAINT 2	PAINT 2	PAINT 2	PAINT 2	ACT	EXISTING	2147c	SEE ELEVATION, COLOR A TYP. UNO, COLOR B ON EAST WALL
2148	OFFICE/RECEPTION	VCT	RUBBER	PAINT 1	PAINT 1	PAINT 1	PAINT 1	EXISTING	EXISTING	2148	ACCENT COLOR ON WEST WALL
2153	INTAKE/PROCEDURE	VCT	RUBBER	PAINT 1	PAINT 1	PAINT 1	PAINT 1	EXISTING	EXISTING	2153	ACCENT COLOR-ON ONE WALL (TBD BY OWNER)
2154	INTAKE/PROCEDURE	VCT	RUBBER	PAINT 1	PAINT 1	PAINT 1	PAINT 1	EXISTING	EXISTING	2154	ACCENT COLOR-ON ONE WALL (TBD BY OWNER)
2155	INTAKE/PROCEDURE	VCT	RUBBER	PAINT 1	PAINT 1	PAINT 1	PAINT 1	EXISTING	EXISTING	2155	ACCENT COLOR-ON ONE WALL (TBD BY OWNER)
2157c	CORRIDOR	VCT	RUBBER	PAINT 2	PAINT 2	PAINT 2	PAINT 2	ACT	EXISTING	2157c	COLOR A ABOVE HANDRAIL, COLOR B BELOW HANDRAIL
2156c	CORRIDOR	VCT	RUBBER	PAINT 2	PAINT 2	PAINT 2	PAINT 2	ACT	7'-8"	2156c	SEE ELEVATION, COLOR A TYP. UNO
*	ALL OTHER ROOMS	EXISTING	EXISTING	PAINT 1	PAINT 1	PAINT 1	PAINT 1	EXISTING	EXISTING	*	ACCENT COLOR ON ONE WALL (TBD BY OWNER)

DOOR SCHEDULE

DOOR NUMBER	DOOR		ELEVATION	GLAZING	MATERIAL	ELEVATION	FRAME		REMARKS		
	MATERIAL	SIZE					HEAD	JAMB			
2155C (2)	WD	3'-8"x6'-8"	NG	TEMP.	HM	2			2155C	ELECTROMAGNETIC LOCK AND DOOR HOLDERS	
2147	WD	2'-10"x6'-8"	F		HM	1			2	2147	

NOTE:

ACT ACT
HM HOLLOW METAL
PAINT 2 LIQUID VINYL WALL COVERING
PAINT 1 PAINT
RUBBER RUBBER BASE
VCT VINYL COMPOSITION TILE
WD WOOD

FINISH ABBREVIATIONS

ACoustical CEILING TILE
HOLLOW METAL
PAINT 2 LIQUID VINYL WALL COVERING
PAINT 1 PAINT
RUBBER RUBBER BASE
VCT VINYL COMPOSITION TILE
WD WOOD

REMOVE AND REPLACE WALL MOUNTED EQUIPMENT AT ALL PAINTED WALL LOCATIONS.

A1 DOOR AND FRAME ELEVATIONS

A5 * * * * *

1/4" = 1'-0" * * * * *

SCALE: N/A

PROJECT MANAGER: CFG

JOB CAP/DRAWN: MDR/CW

A/E OF RECORD: ELB

SMART CAD FILE: AE601-02026

PROJECT No.: 02026

DATE: 4/23/02

ARCHITECTURE ENGINEERING PLANNING

144 Fore Street/P.O. Box 618 PORTLAND, MAINE 04104
tel. (207) 772-3846 / fax. (207) 772-1070

PROJECT: MAINE MEDICAL CENTER PAIN CARE RENOVATIONS

SUBJECT: SCHEDULES

SMART

AE601

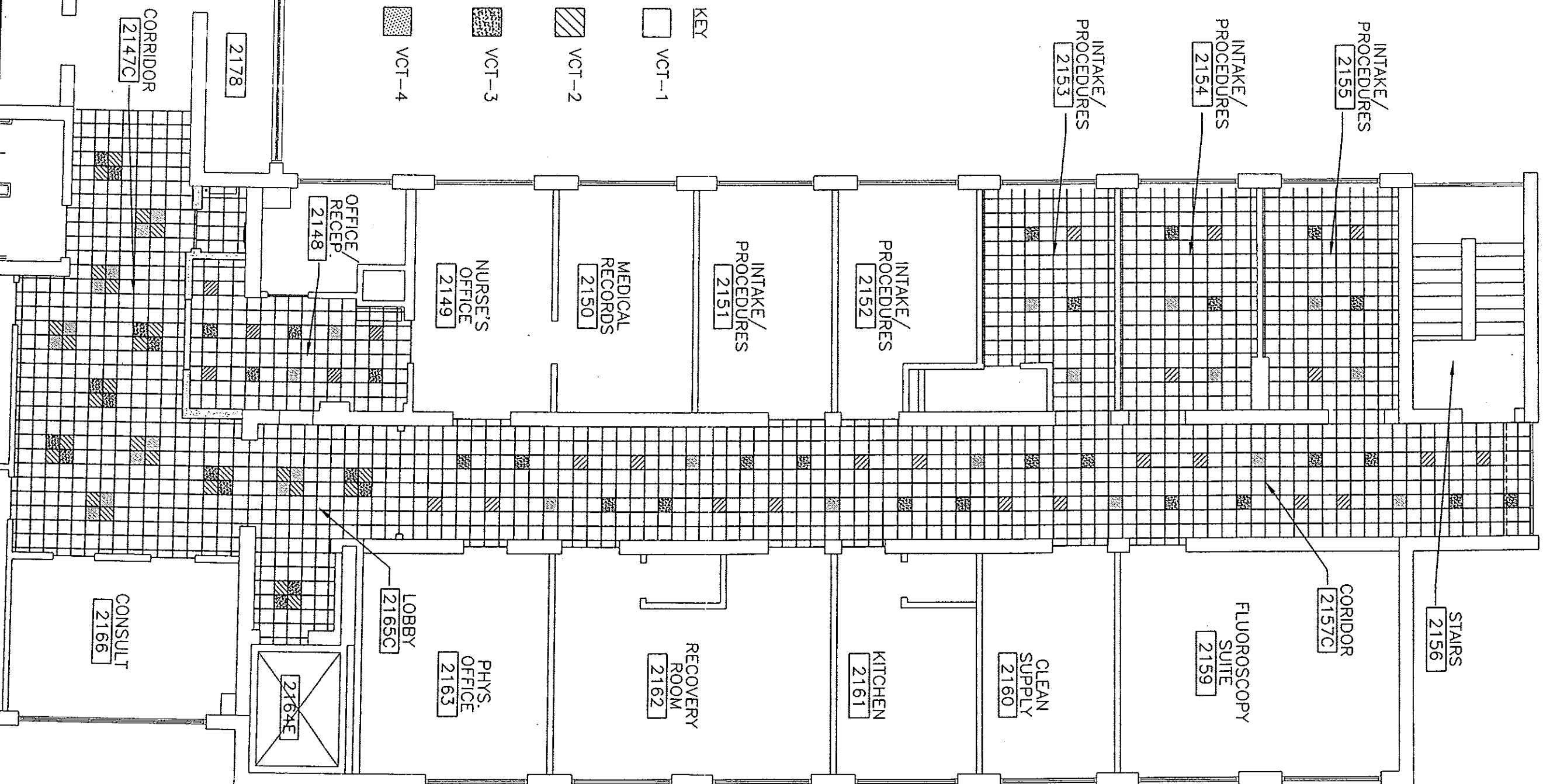
ISSUED FOR CONSTRUCTION 4-23-02

© COPYRIGHT 2002 SMART INC.

1/8" = 1'-0"

A1

FLOOR PATTERN PLAN



ISSUED FOR CONSTRUCTION

4-23-02

AF101

SHEET No.

SCALE: 1/8" = 1'-0"

PROJECT MANAGER: CFG

JOB CAP/DRAWN: MDR/CW

A/E OF RECORD: ELB

SMART CAD FILE: AF101-02026

PROJECT No. 02026

DATE: 4/23/02

ARCHITECTURE ENGINEERING PLANNING

SMART

144 Fore Street/P.O. Box 618 PORTLAND, MAINE 04104

Tel. (207) 772-3846 / Fax. (207) 772-1070

PROJECT: MAINE MEDICAL CENTER PAIN CARE RENOVATIONS

SUBJECT: FLOOR PATTERN PLAN

