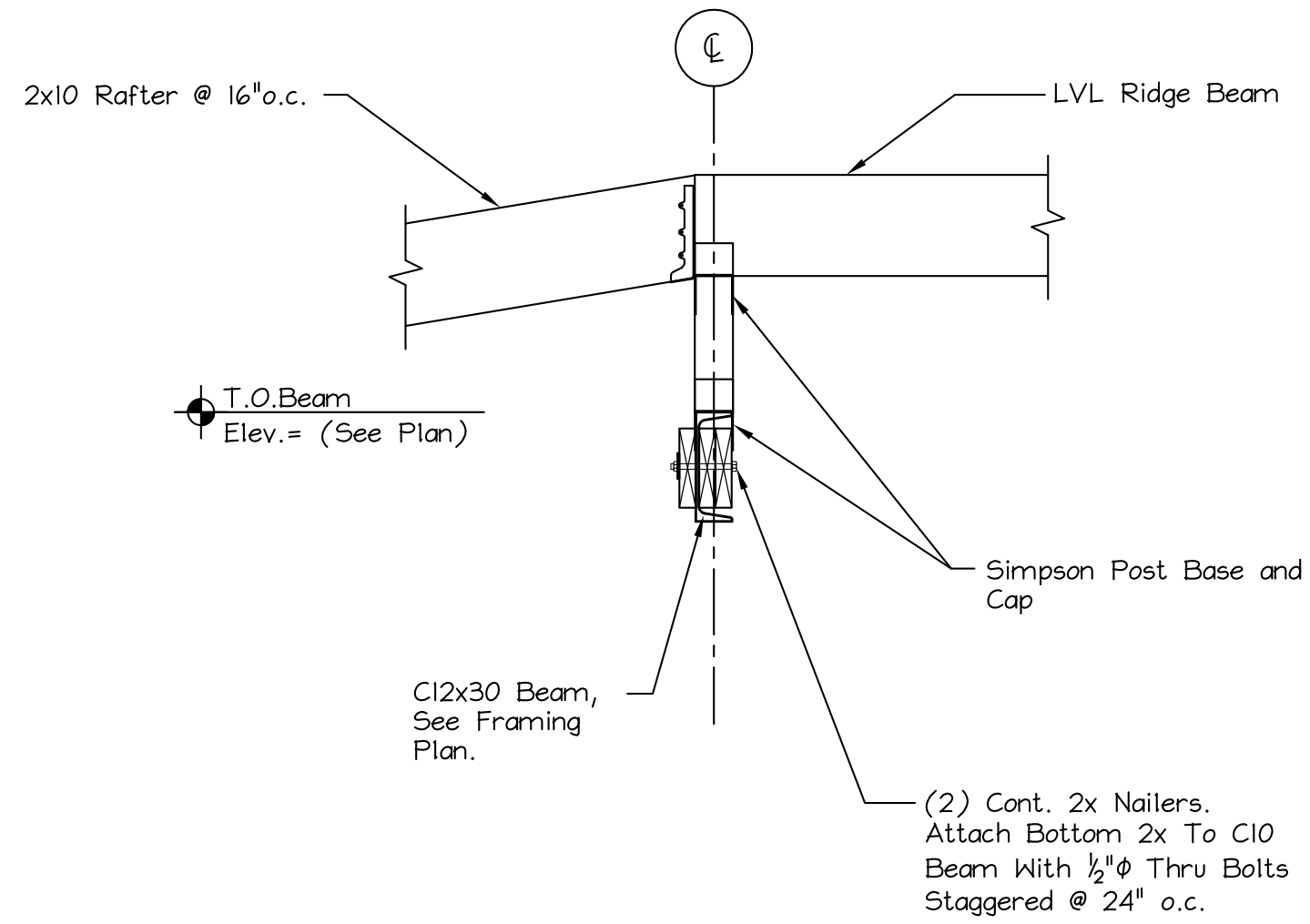
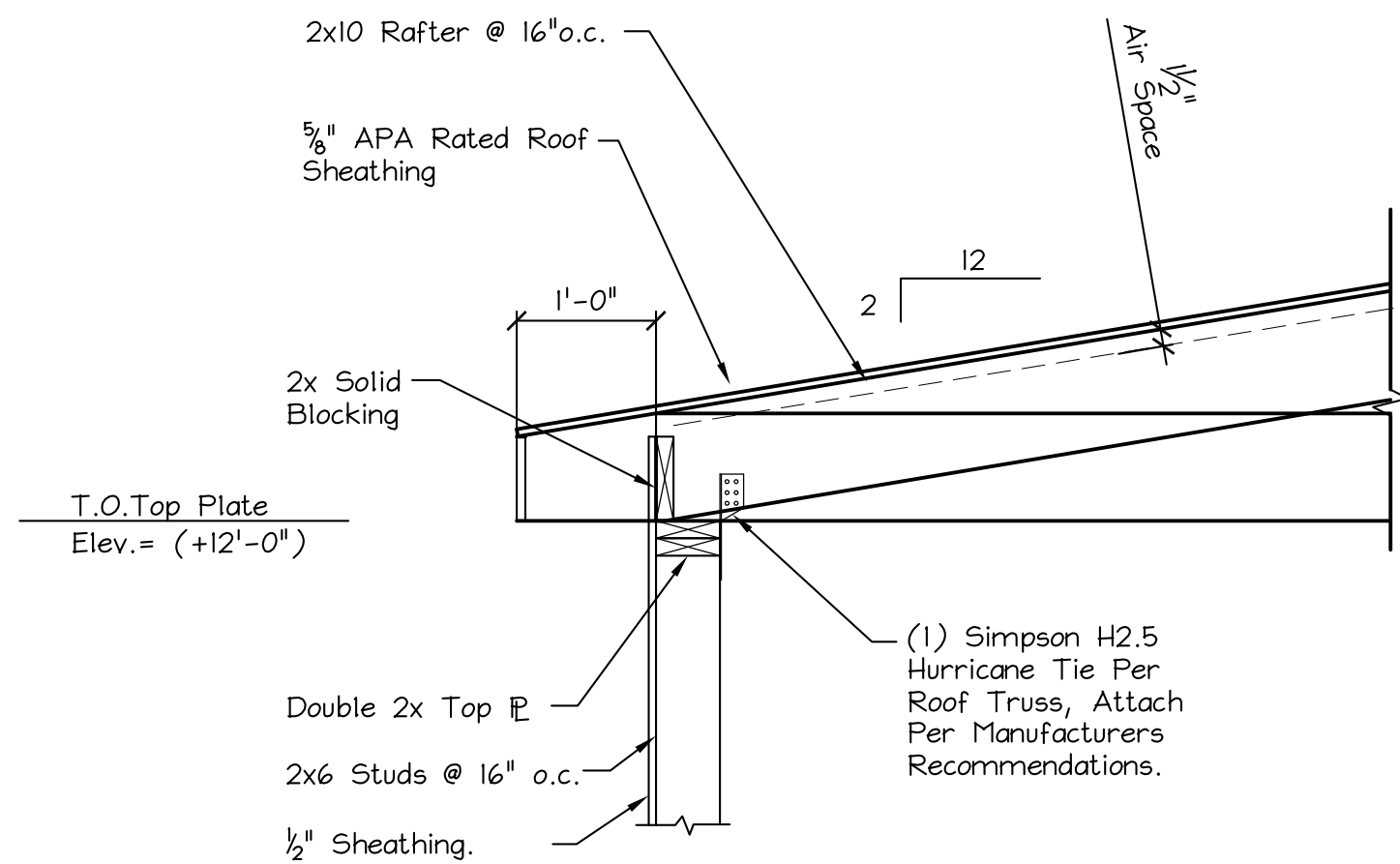


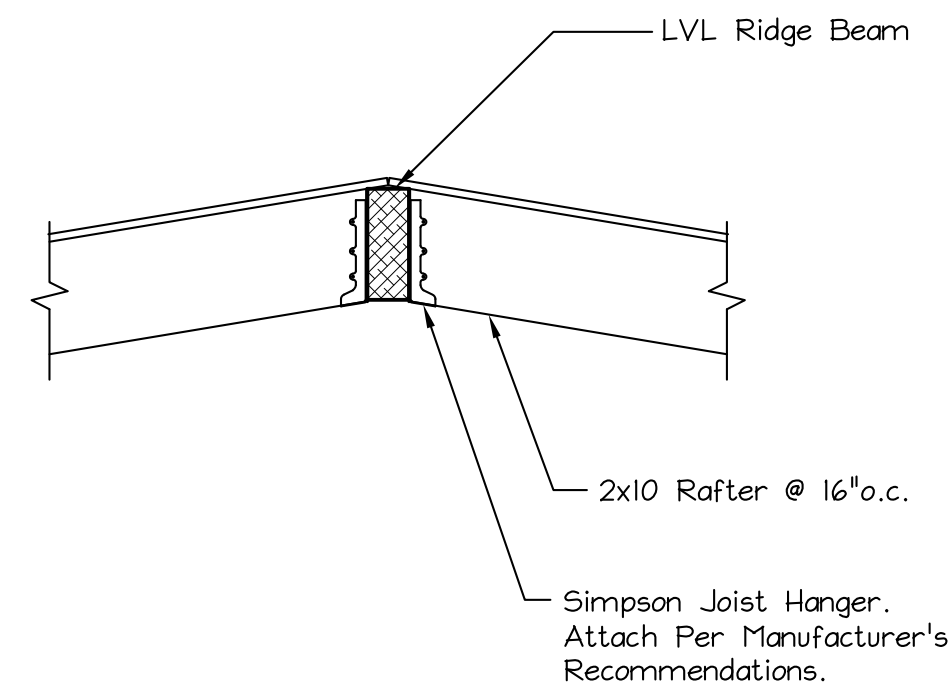
SECTION 1  
Scale: 3/4" = 1'-0"



SECTION 2  
Scale: 3/4" = 1'-0"



SECTION 3  
Scale: 3/4" = 1'-0"



SECTION 4  
Scale: 3/4" = 1'-0"

- △ \_\_\_\_\_
- △ \_\_\_\_\_
- △ \_\_\_\_\_

These drawings are the property of MacLeod Structural Engineers, PA and are for the exclusive use of:		
<i>Keith M. Samara</i>		
Use of these drawings by others without written consent is prohibited.		
MACLEOD STRUCTURAL ENGINEERS, PA 90 Bridge Street Ste252 Westbrook, Maine 04038 207.839.0980		
Stegeman Residence 180 Frances St. Portland, Maine		
TITLE: FRAMING DETAILS		
DATE: 2/5/16	DRAWN BY: BWM	DRAWING NUMBER: S-2
SCALE: as noted	PROJ NO: 2016-004	