

Submission Data: 24RLXFZH **24,000 BTU Multi-Zone System**
Inverter Driven Heat Pump

Job Name: Ann Brandt
 Location: 158 Frances Street
 Engineer: n/a
 Submitted to: City of Portland
 Submitted by: Doggen Energy
 Reference: n/a

Date: 6-20-17
 Approval: _____
 Construction: _____
 Unit #: _____
 Drawing #: _____

<u>General Features</u>	
•Refrigerant Type R410A.	•5- Years Parts, 7-Years Compressor Warranty (See Warranty Statement for details)
•Extra long piping allotment	•24 hr. Timer
•Wired and wireless remote controllers	•Low operating temperature
•Automatic airflow adjustment	
•Economy operation	
•Base pan heater	

<u>Model Information</u>	
Condenser.....	AOU24RLXFZH
Evaporator*1.....	(ASU) / (ARU) / (AGU) / (AUU) 7,9,12RLF(1)
Connectable indoor units.....	2 - 3
Rated capacity range.....	14,000 - 27,000 Btu/h
Electrical.....	208/230V AC 1ph-60Hz
Available Voltage Range.....	208/230 +/- 10%
Minimum Circuit Ampacity.....	25.1 A
Max Fuse Size.....	30 A
Max Starting Current.....	8.3 A

<u>Output Power</u>	
Cooling.....	(non-duct) 1.65 kW / (ducted) 1.81 kW / (mix) 1.74 kW
Heating.....	(non-duct) 1.81 kW / (ducted) 1.89 kW / (mix) 1.85 kW

<u>Current</u>	
Cooling.....	(non-duct) 7.2 A / (ducted) 7.9 A / (mix) 7.6 A
Heating.....	(non-duct) 7.9 A / (ducted) 8.3 A / (mix) 8.1 A

<u>Capacity</u>	
Minimum Cooling.....	22,000 Btu/h
1-Max Cooling.....	6,100 - 27,000 Btu/h
Minimum Heating.....	25,000 Btu/h
1-Max Heating.....	6,800 - 29,800 Btu/h

<u>Compressor</u>	
Compressor Type.....	Rotary (inv x1)
Motor Output.....	2,100 W
Refrigerant.....	R410a
Weight.....	4 lbs. 14 oz
.....	RB68

<u>Indoor Motor</u>	
Condenser) Type: DC.....	Propeller x1
Condenser) Motor Output.....	100 W
Evaporator) Type: DC.....	(wall-mount) Cross flow (compact cassette) Turbo (ducted) Sirocco (floor) Cross flow x2
Evaporator) Motor Output.....	(wall) 30W-42W (compact cassette) 54W (ducted) 80-81W (floor) 16W

<u>Indoor Exchanger</u>	
Dimensions.....	
W x H x D in. (mm).....	31-7/16 x 35-7/16 x 1-7/16 (798x900x36.38)
Pitch.....	20 FPI
Stages.....	2 x 38
Coil Type (Material).....	Copper
Frame Type (Material).....	Aluminum



<u>Operation Temperature Range</u>	
Cooling.....	14°F - 115°F (-10°C - 46°C)
Heating.....	-15°F - 75°F (-26°C - 24°C)

<u>Efficiency</u>	
SEER*2.....	(wall-mount) 20 (duct) 18 (mix) 19
EER (cooling).....	(wall-mount) 13.3 Btu/W (duct) 12.1 Btu/W (mix) 12.7 Btu/W
COP (heating).....	(wall-mount) 4.04 W/W (duct) 3.87 W/W (mix) 3.96 W/W
HSPF (heating).....	(wall-mount) 10.3 (duct) 9 (mix) 9.7

<u>Enclosure (Condenser)</u>	
Material.....	Painted galvanized steel
Color.....	Beige (10 YR 7.5/1.0 NN)

<u>Sound Pressure Level</u>	
Condenser.....	52 dB(A)

<u>Dimensions</u>	
Condenser.....	
H x W x D.....	
Net in. (mm).....	32-11/16 x 35-7/16 x 13 (830x900x330)
Gross in. (mm).....	38-3/16 x 41-5/16 x 17-1/2 (970x1,050x445)

<u>Connection Pipe</u>	
Liquid.....	1/4" x3
Gas.....	3/8" x2 + 1/2" x1
Method (Liquid/Gas).....	Brazing
Max Length (Pre-charge).....	229ft. (70m) / (98 ft. {30m})
Max Height Difference.....	49 ft. (15m)

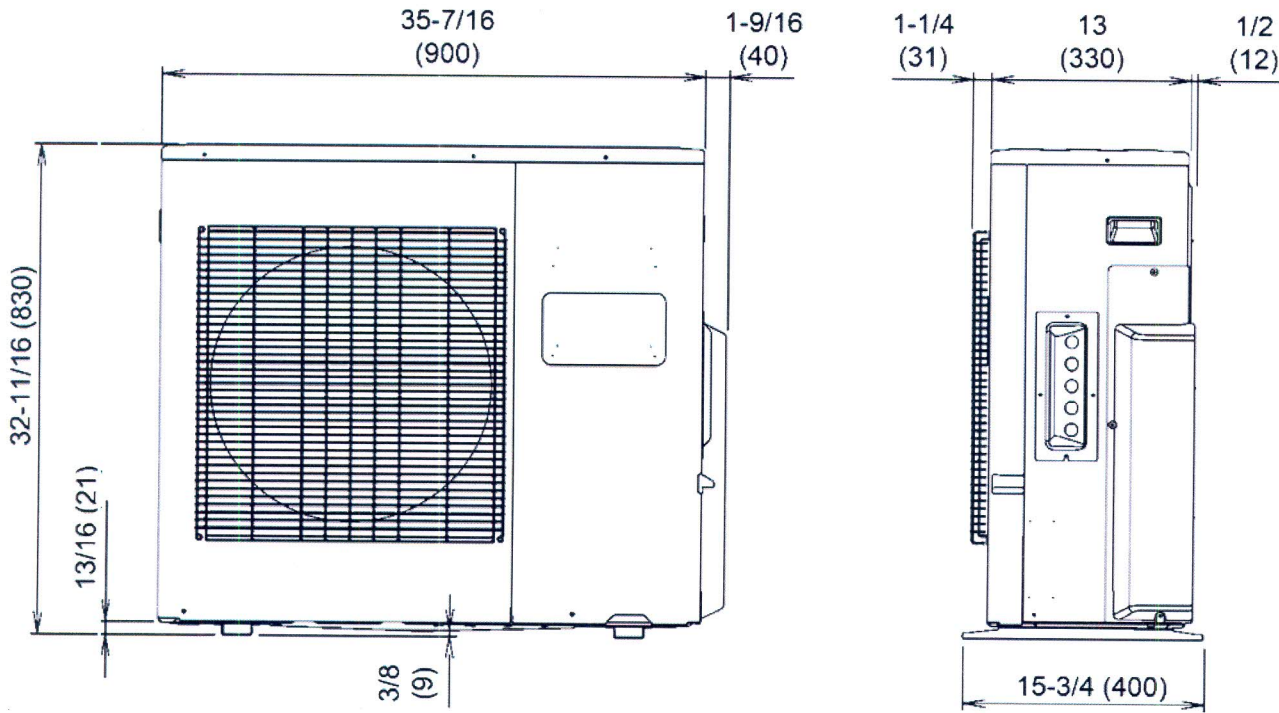
<u>Weight</u>	
Condenser.....	146 lbs. (66 kg)
Evaporators.....	(wall-mount) 19 lbs. - 31 lbs. (compact cassette) 33 lbs. (ducted) 37 lbs. - 49 lbs. (floor) 31 lbs.

<u>Accessories</u>	
Wired Remote Controller.....	UTY-RVNUM
Wired Remote Controller.....	UTY-RNNUM
Simple Remote Controller.....	UTY-RSNUM

*1 Reference brochure for approved combinations. *2 Test conditions are based on AHRI 210-240. Note: Specifications are based on the following conditions. Cooling: Indoor temperature of 80°F (26.7°C) DB/67°F (19.4°C) WB, and outdoor temperature of 95°F (35°C) DB/75°F (23.9°C) WB. Heating: Indoor temperature of 70°F (21.1°C) DB/59°F (15°C) WB, and outdoor temperature of 47°F (8.3°C) DB/43°F (6.1°C) WB. Pipe length: 24ft. 7in. (7.5m). Height difference: 0ft. (0m) (Outdoor unit - indoor unit)

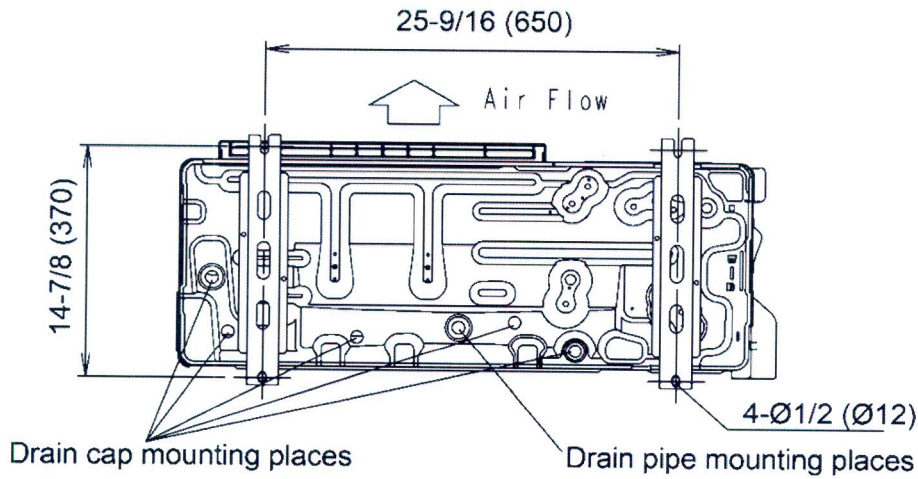
Dimensions:24RLXFZH

[Unit: in. (mm)]



Front view

Side view



Bottom view