

Current editions of the model codes have a 2003 cover date (2002 for electrical), though some jurisdictions take years to adopt these current codes. For the latest geographical application of this book, notations to the significant changes and former codes are summarized on the inside back cover.

CU = copper
 CWV = combination waste and vent
 DFU = drainage fixture unit(s)
 Diam = diameter

Portland Codes

Stairs & Decks

General

03 IRC 97 UBC

- Illumination req'd for all stairways [303.6] {210.70A2⁵}
- Control for light req'd at top and bottom of stairs (if 6 or more risers) [303.6.1] {210.70A2⁵}
- Headroom min 6ft 8in **F19** [311.5.2] {1003.3.3.4}
- Min stairway width above handrail 36in [311.5.1] {1003.3.3.2}
- Handrail may project into req'd width 4 1/2in (3 1/2in) **F18** [311.5.1] {1003.3.3.2}
- Max riser height 7 3/4in (8in) **F18** [311.5.3.1] {1003.3.3.3}
- Min tread depth 10in (9in) **F18** [311.5.3.2] {1003.3.3.3}
- Max difference between tallest & shortest riser or largest & shortest tread run 3/8in [311.5.3.1,2] {1003.3.3.3}
- Winder tread min 6in & develop req'd length at ≤12in from inside of winder **F17** [311.5.3.2] {1003.3.3.8.2}
- Nosing min 3/4in max 1 1/4in req'd on stairs w/solid risers EXC **F18** [311.5.3.3] {n/a}
- Nosing not req'd if tread depth ≥11in [311.5.3.3] {n/a}

Fig. 17 • Winding Stairs

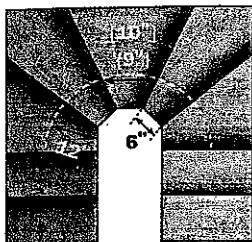
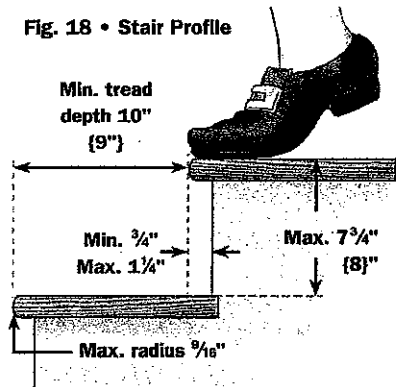


Fig. 18 • Stair Profile



Handrails

- Grippable handrail req'd if 4 or more risers [311.5.6]¹⁵ {1003.3.3.6}
- Handrail height min 34in max 38in **F19** [311.5.6.1] {1003.3.3.6}
- Grips min 1 1/4in max 2in circular cross section **F20** [311.5.6.3]¹⁶ {1003.3.3.6}
- Min 1 1/2in between wall & handrail **F20** [311.5.6.2] {1003.3.3.6}
- Ends req'd to return to wall or newel post [311.5.6.2] {1003.3.3.6}
- Handrail on open side of stairs must not allow 4in sphere to pass through [312.2] {509.3}
- Openings between treads of open risers <4in [311.5.3.3] {n/a}
- Triangular space between riser, tread & rail must not allow 6in sphere to pass through **F19** [312.2X1] {509.3X2}

Fig. 19

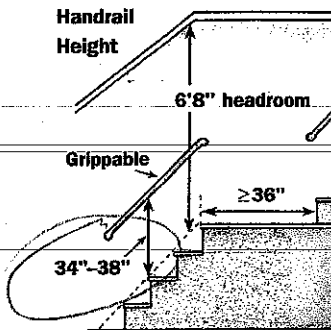
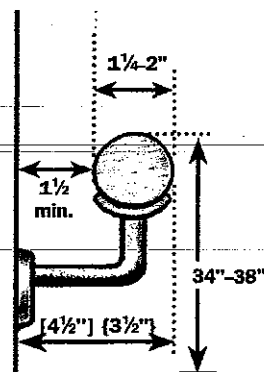


Fig. 20
Handrail
Size



Guardrails

03 IRC 97 UBC

- Req'd for any walkoff >30in above floor or grade **F21** [312.1] {509.1}
- Min height 36in (34in if guard is stair handrail) . **F21** [312.1] {509.2X1}
- Opening must not allow 4in sphere to pass through **F21** [312.2] {509.3}
- Guards req'd on open sides of stairs if total rise above floor or grade >30in [312.1] {509.1}

Fig. 21
Guardrails

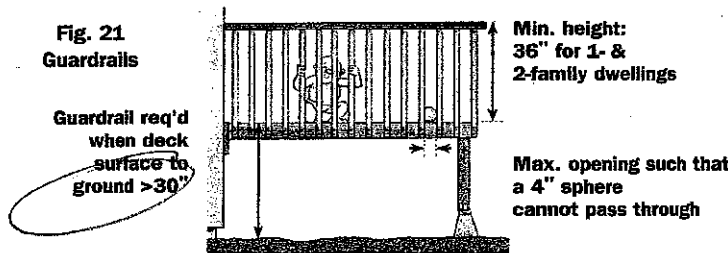


Table 13 • Special Inspection Reports

S.I. reports due before final inspection	Required	Received
Concrete ->2,500 psi		
Pilings, drilled piers & caissons		
Structural masonry		
Bolts in concrete		
Structural welding/steel moment frames		
Glu-Lam certificate		
Shear nailing <4" o.c.		
High-strength bolting		
Prestressed concrete: rebar & tendons		
EIFS		
Special case:		