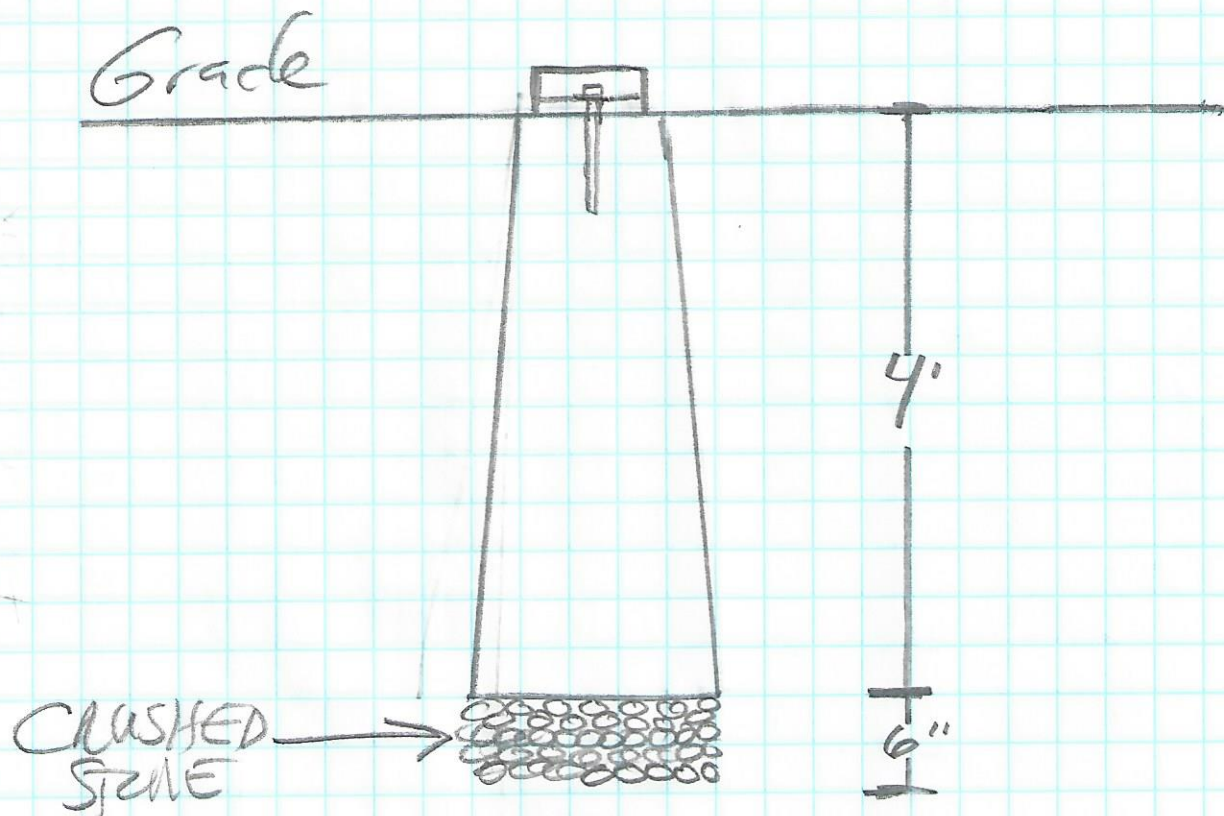


Foundation System

8 Precast Tapered Concrete Piers

6" top to 9" Bottom
4' in Height with 1/2" x 6"
Threaded Rods, Washers and nuts
fastening 4" x 4" 16 gage 2 max
adjustable Post Base



Location of Piers will be 4 at 8' From
ledger 1' From side ribbin Joists and 6' apart
and 4 additional Piers 19' From ledger 1' From
Side ribbin Joists and 6' Apart