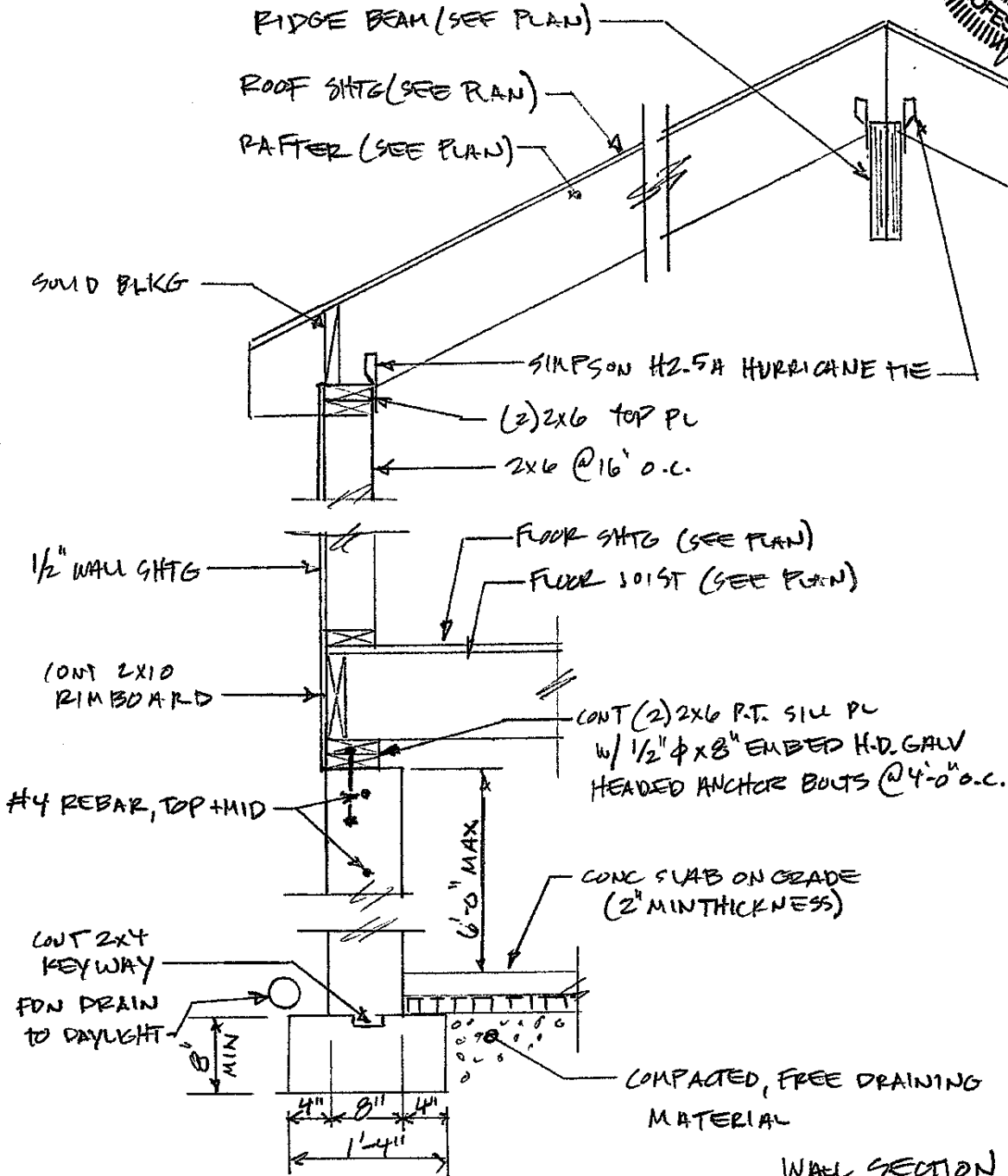
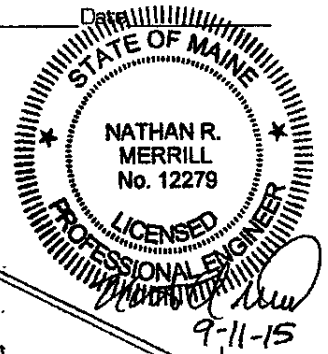


NATHAN R. MERRILL, P.E.
 171 ATWOOD ROAD
 NEW GLOUCESTER, ME
 207-299-2248
 nathanmerrillpe@gmail.com

Project DILWORTH RES - PORTLAND, ME
 W.D. _____ Sheet 4 of 4
 Calculated by _____ Date _____
 Checked by _____ Date _____



WALL SECTION