

26 Orlando St, Smith-Perkins Porch

Framing Schedule 1: Deck

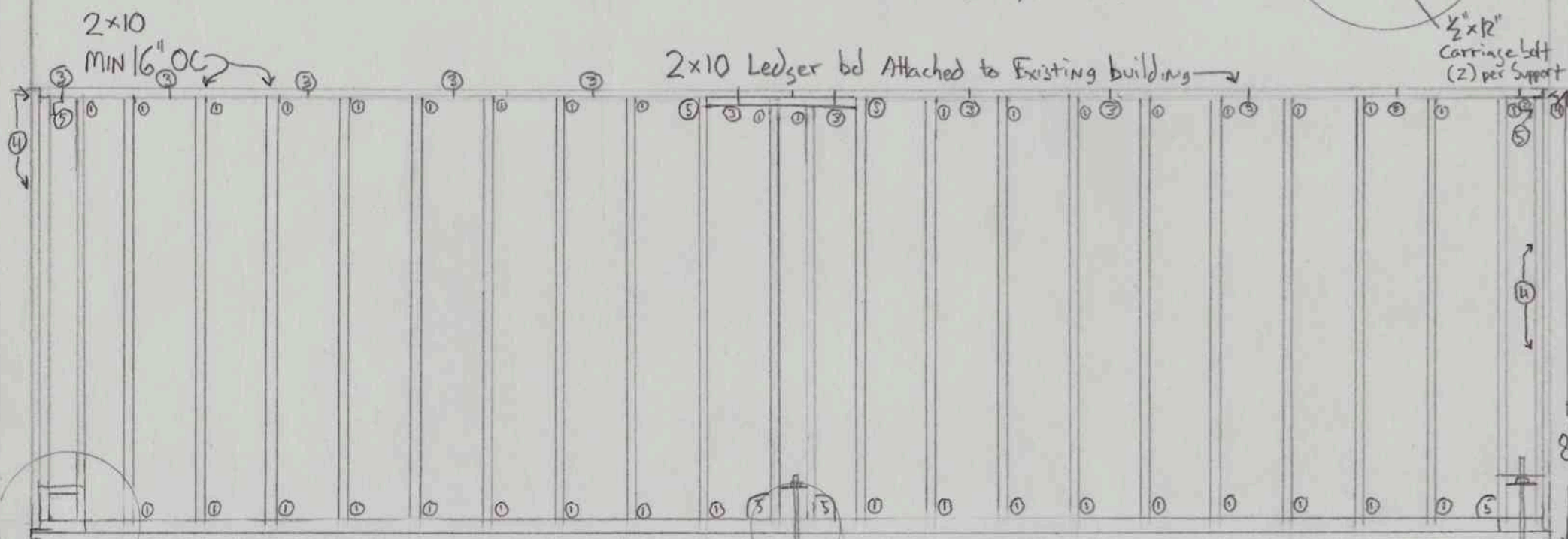
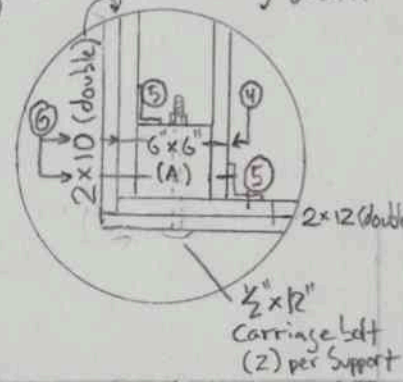
Top View

OUTSIDE the Box Construction of Marine LLC

fasteners:

- ① Std GALVANIZED 2x10 Joist hangers w/ JH screws
- ② 1/2" x 12" Carriage bolts w/ lock nuts + WASHERS, 2 per Support
- ③ RSS 3/8" x 8" Structural Screw, 2 per Min. 30" OC
- ④ #8 x 3" GRK Wood Screw, 2 per Min 16" OC
- ⑤ Std GALVANIZED 2x10 Corner brace 90°
- ⑥ #10 x 4 3/4" GRK Wood Screw, AT CORNERS

figure 1: fastening detail



2x12" double plate (ACROSS ENTIRE FRONT)

See figure 1

figure 2: CENTER support Fastening detail

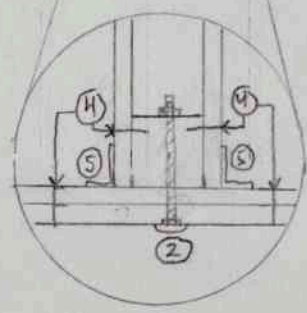
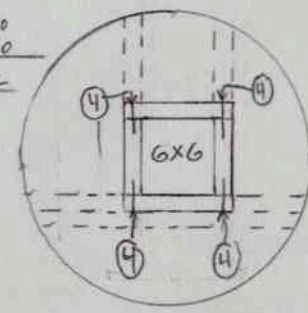


figure 3: Above deck Framing detail



Columns become hollow at 1' above Deck Framing 8 1/2" x 8 1/2" to existing header

Scale: 3/8" = 1'