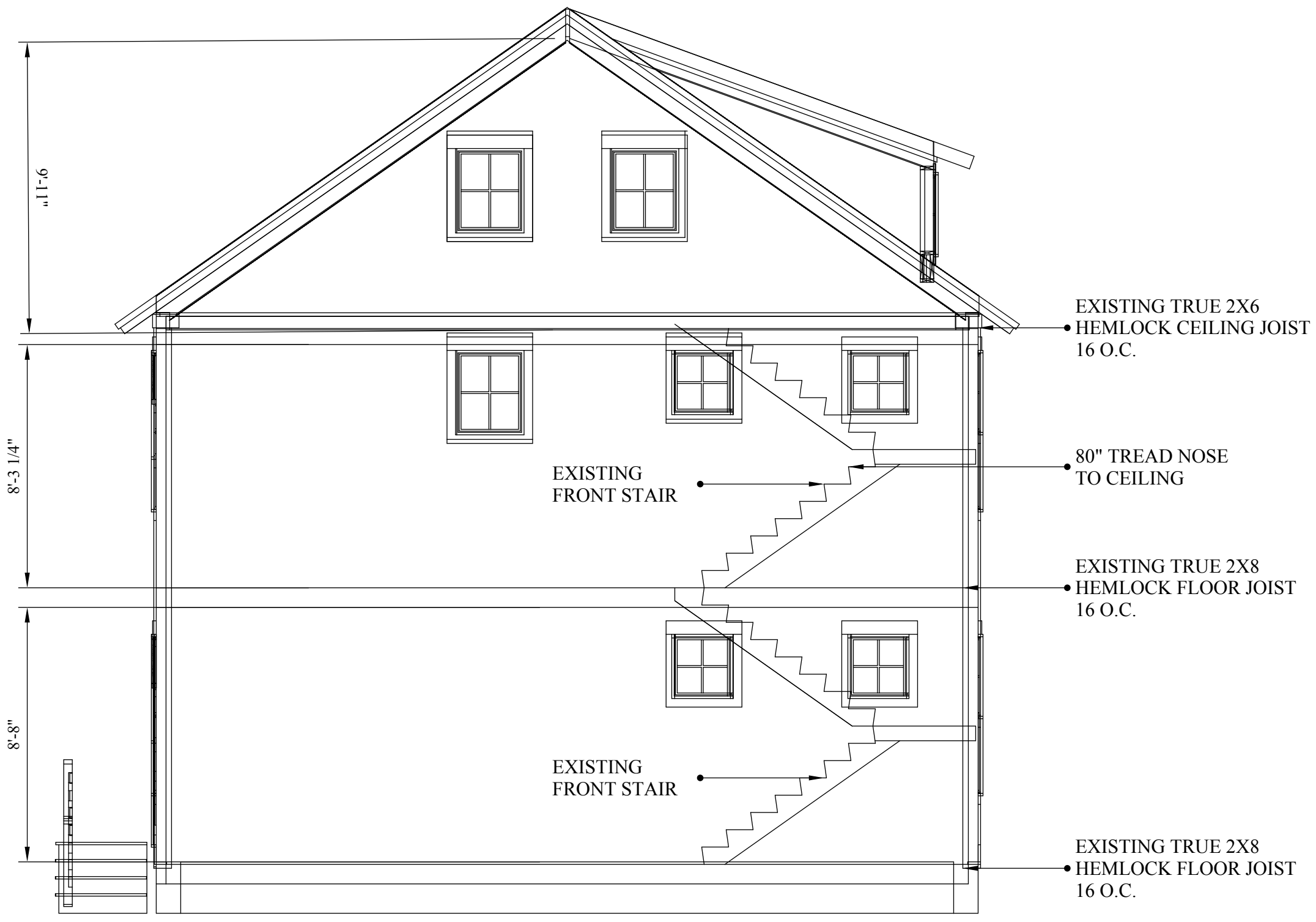


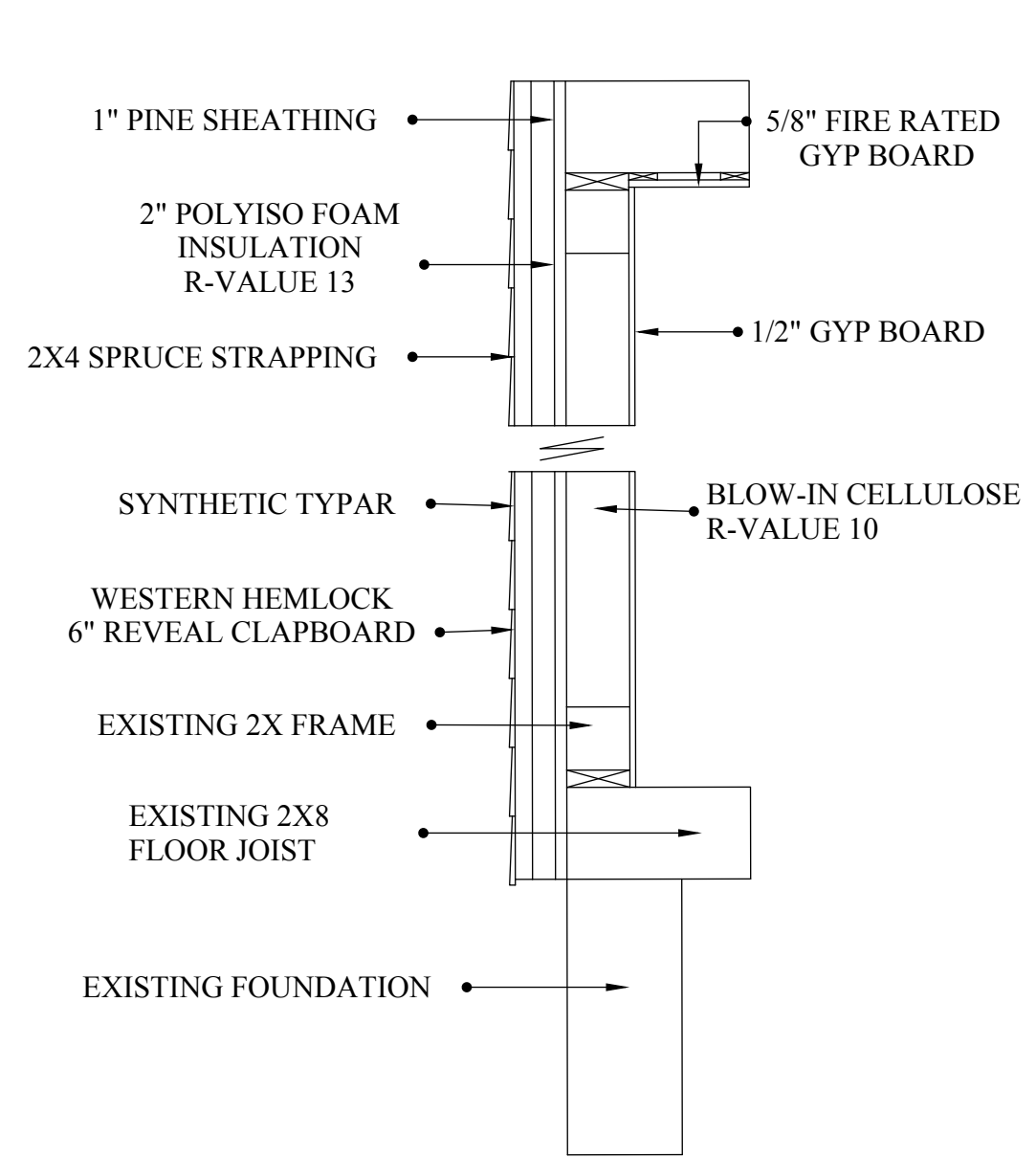
### Building Section

scale: 1/4"=1'



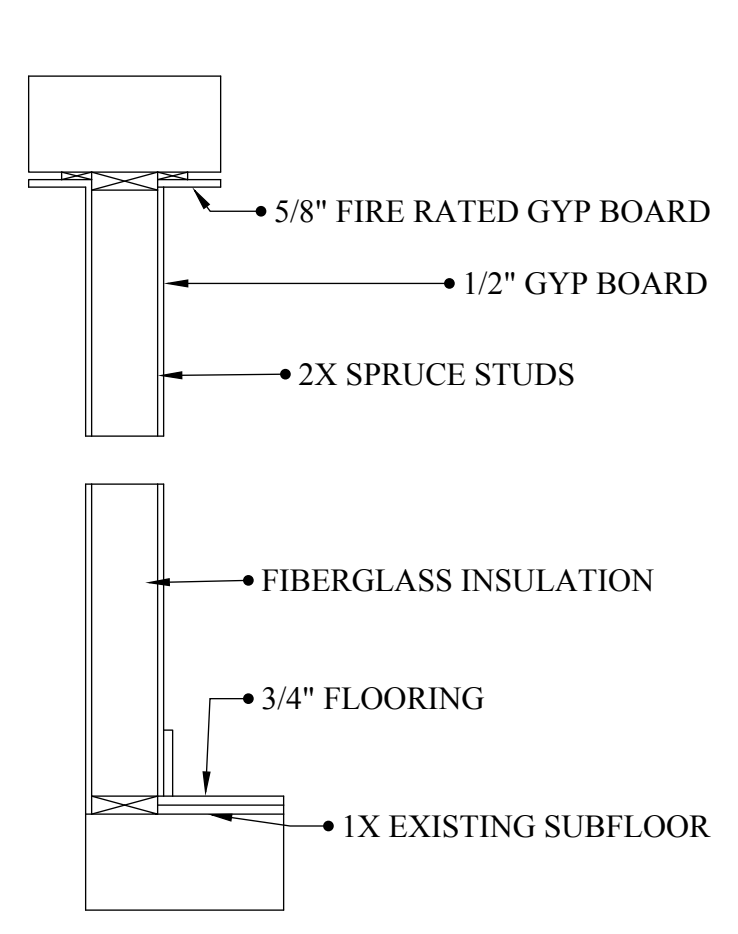
### Exterior Wall Assembly

scale: 3/4"=1'



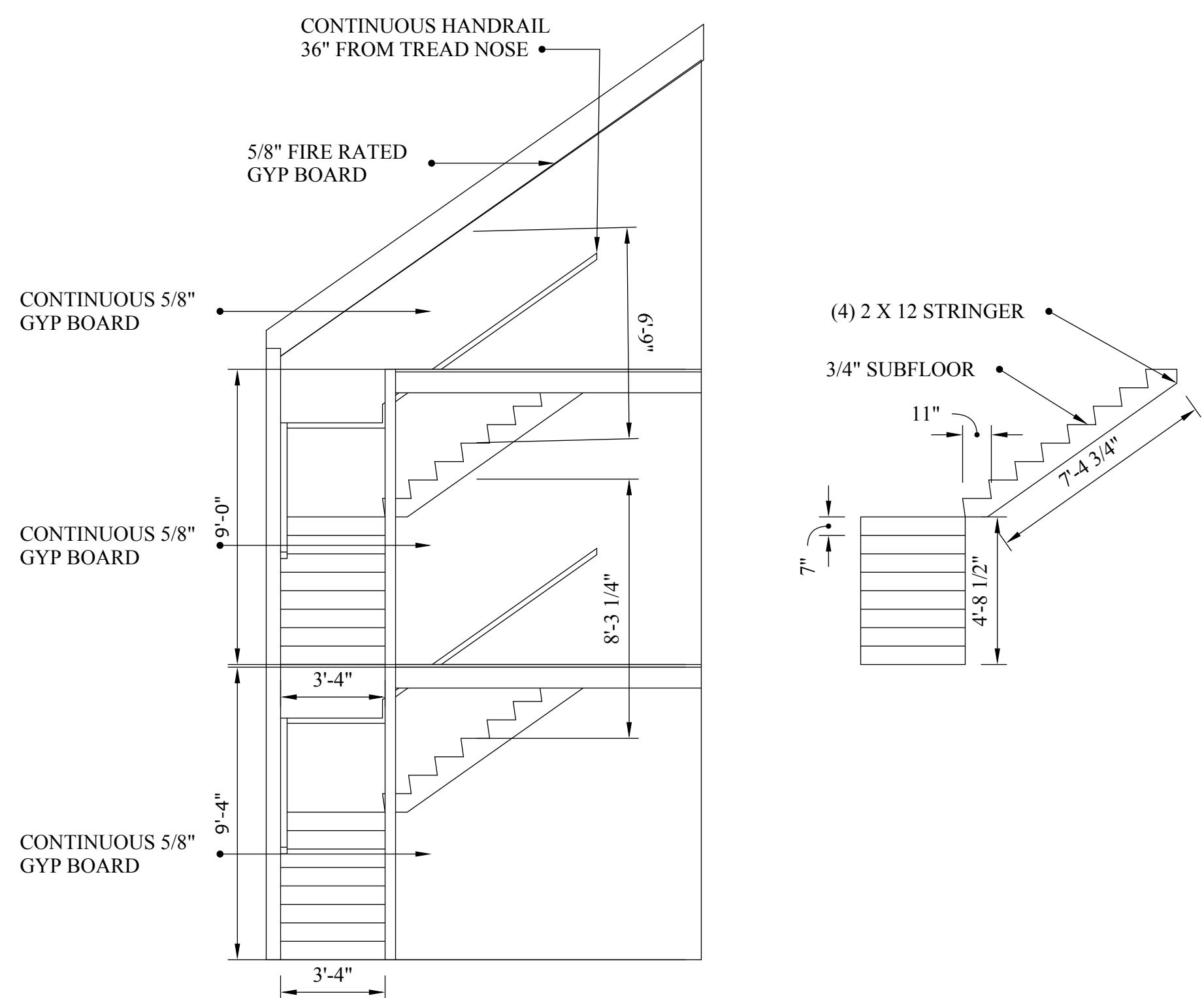
### Interior Wall Assembly

scale: 3/4"=1'



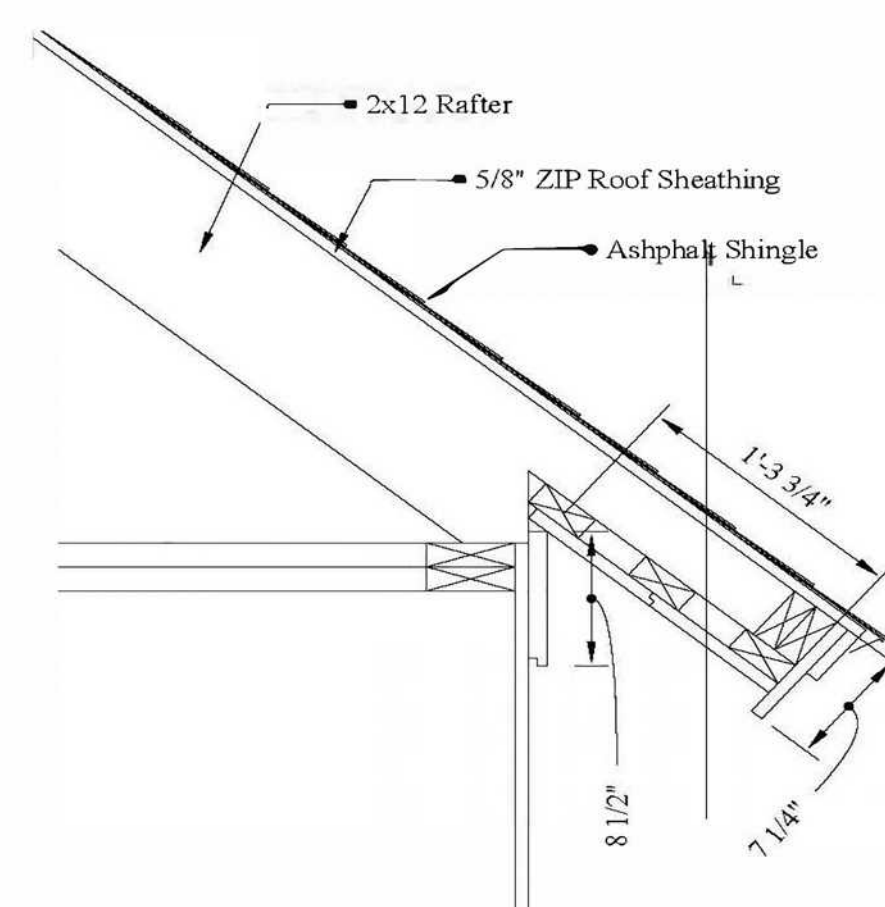
### Proposed Back Stair

scale: 1/4"=1'



### Main Eave Detail

scale: 1/4"=1'



- Notes:
- 3' GRACE Ice and Water shield starting from bottom edge of all eaves
  - Synthetic roofing underlayment covering entire roof surface
  - Architectural asphalt roofing shingle applied over underlayment
  - Exterior trim will be primed Pine

### Existing Elevations

scale: none

