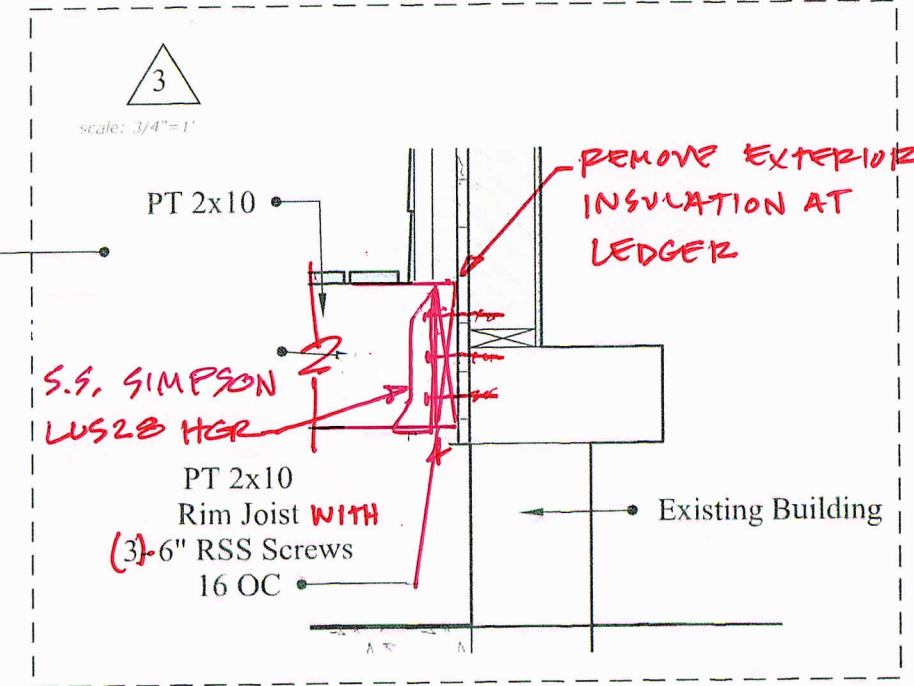
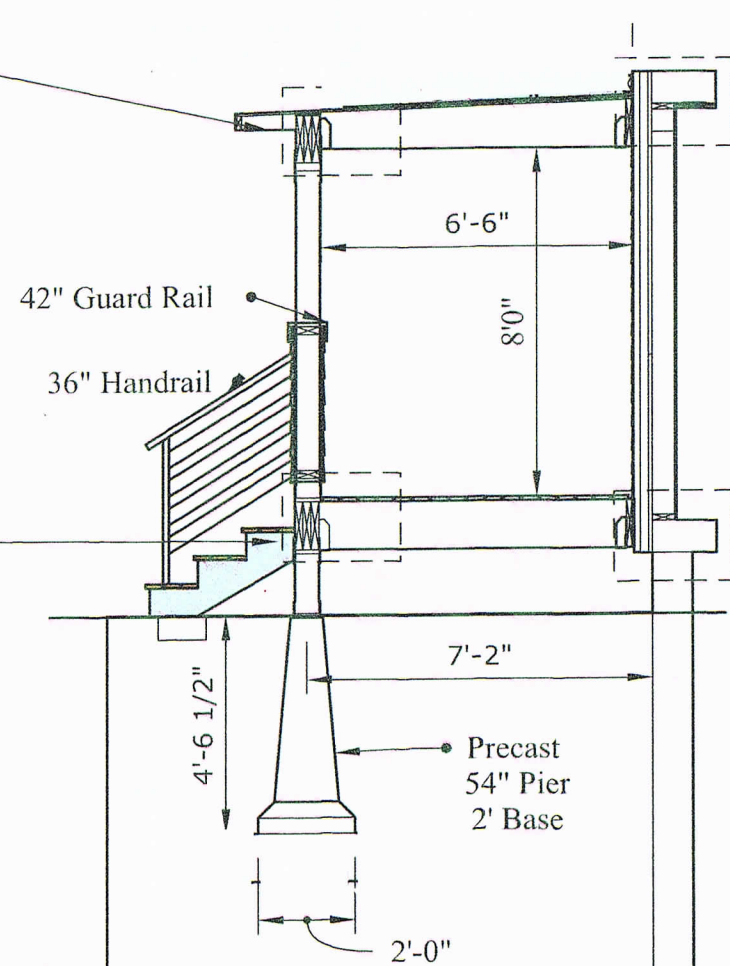
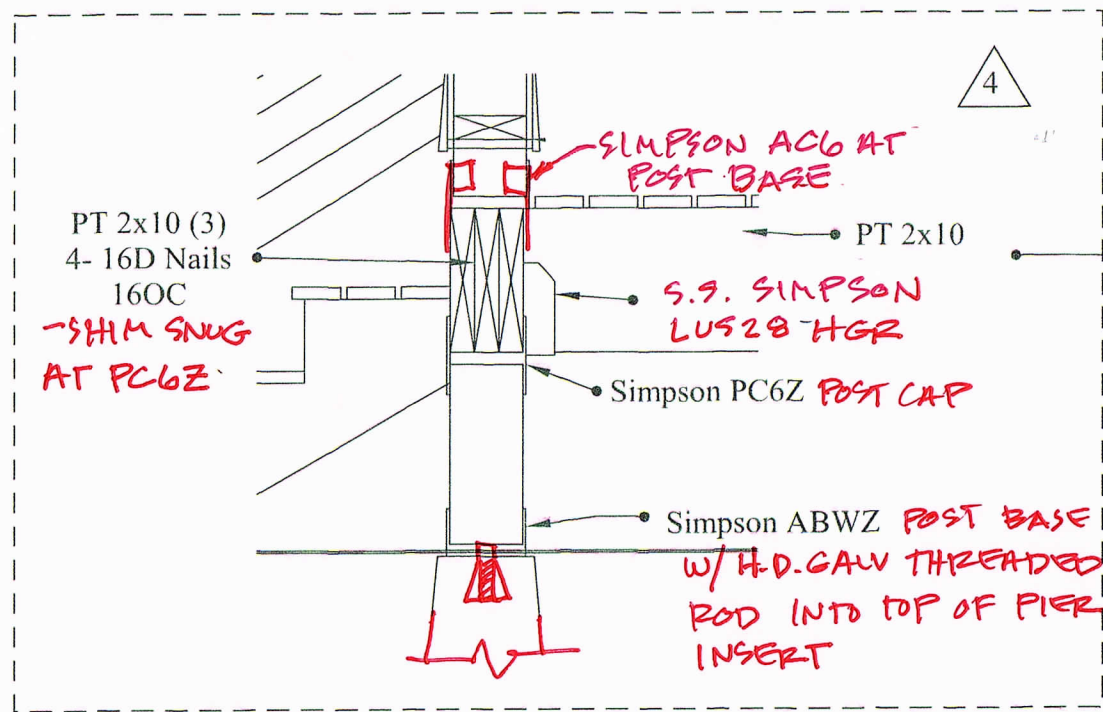
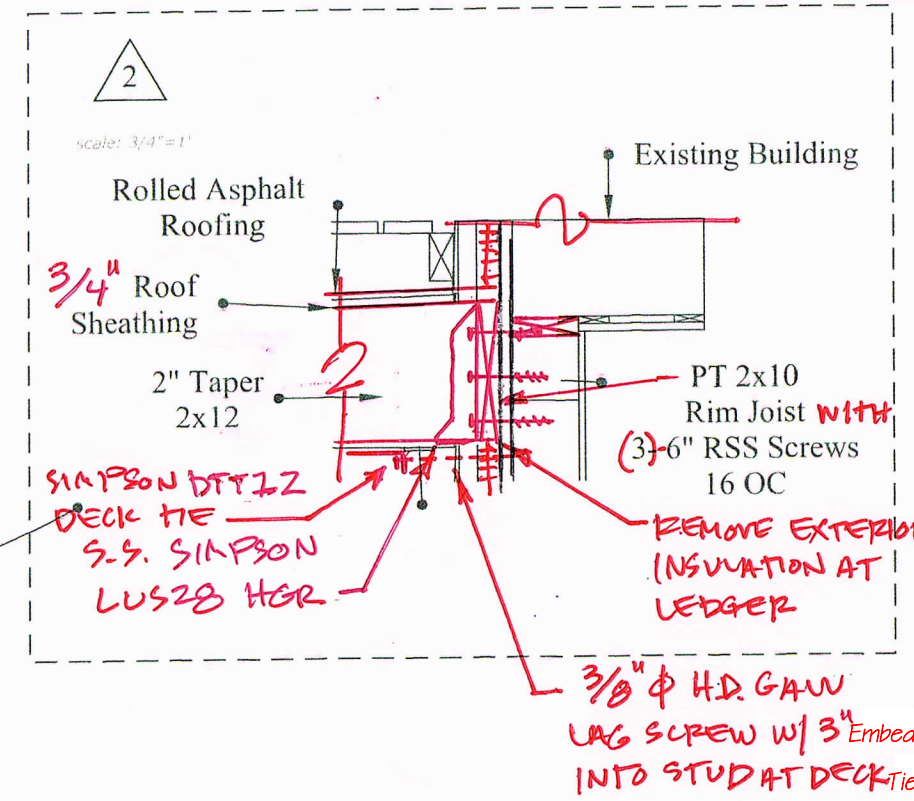


Note: fasten sheathing to second floor porch framing with 10d ring shank nails @6\"/>



PorCH SECTION + DETAILS

Proposed Front Porch

scale: 1/4"=1'

