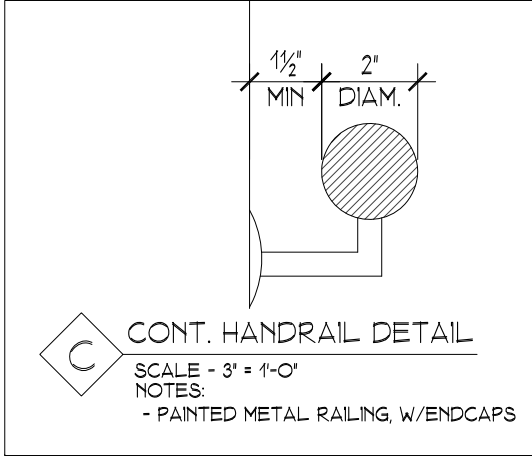
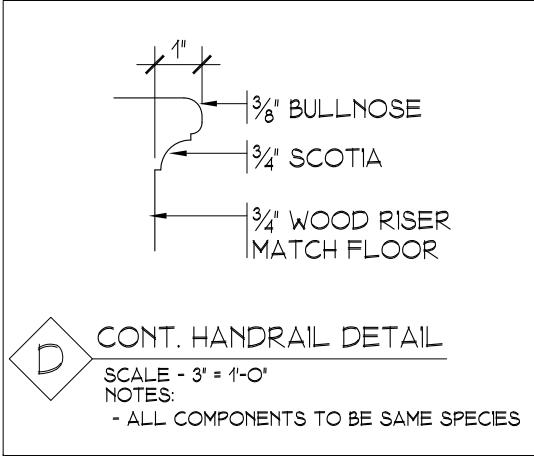


**4 3RD FLOOR PROPOSED**  
 SCALE: 1/4" = 1'-0"



**PATERNITY IMPROVEMENTS**  
**SECOND FLOOR RENOVATION**  
 104 Fessenden, PORTLAND, MAINE

