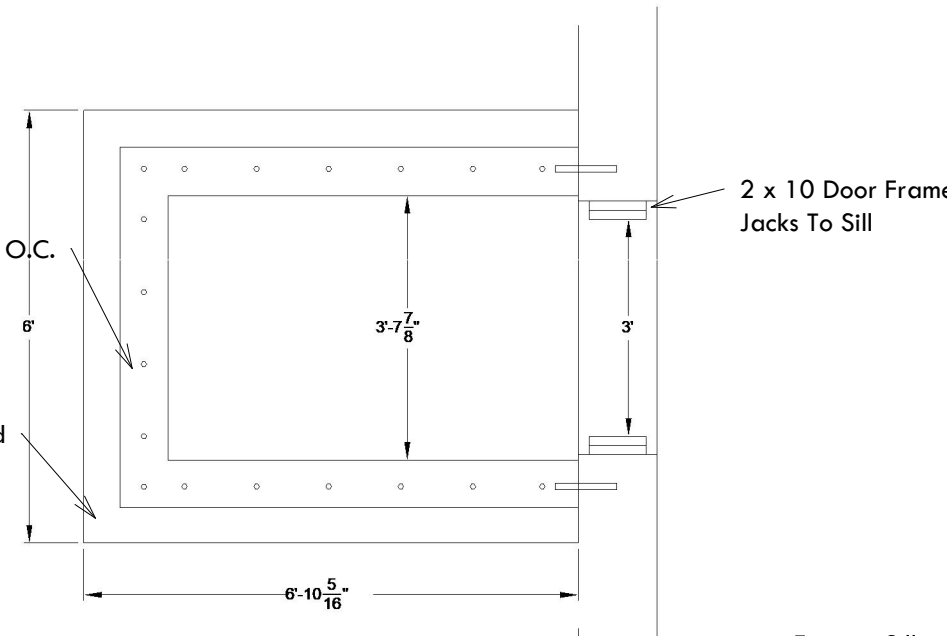


① Bulkhead
 3/8" = 1'-0"

Concrete Filled CMU Wall w/ Rebar Approx 12" O.C.

Concrete Pad

2 x 10 Door Frame
 Jacks To Sill



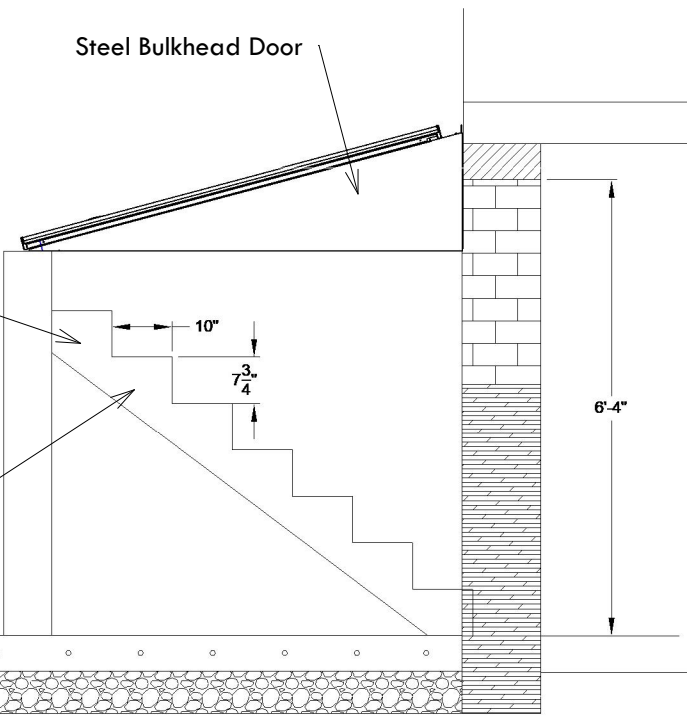
Steel Bulkhead Door

Stringers attached
 to CMU Wall With
 1/2" x 3" Sleeve
 Anchors

Stair Stringers
 & Treads Made
 From Pressure
 Treated Lumber

Concrete Pad

Crushed Stone



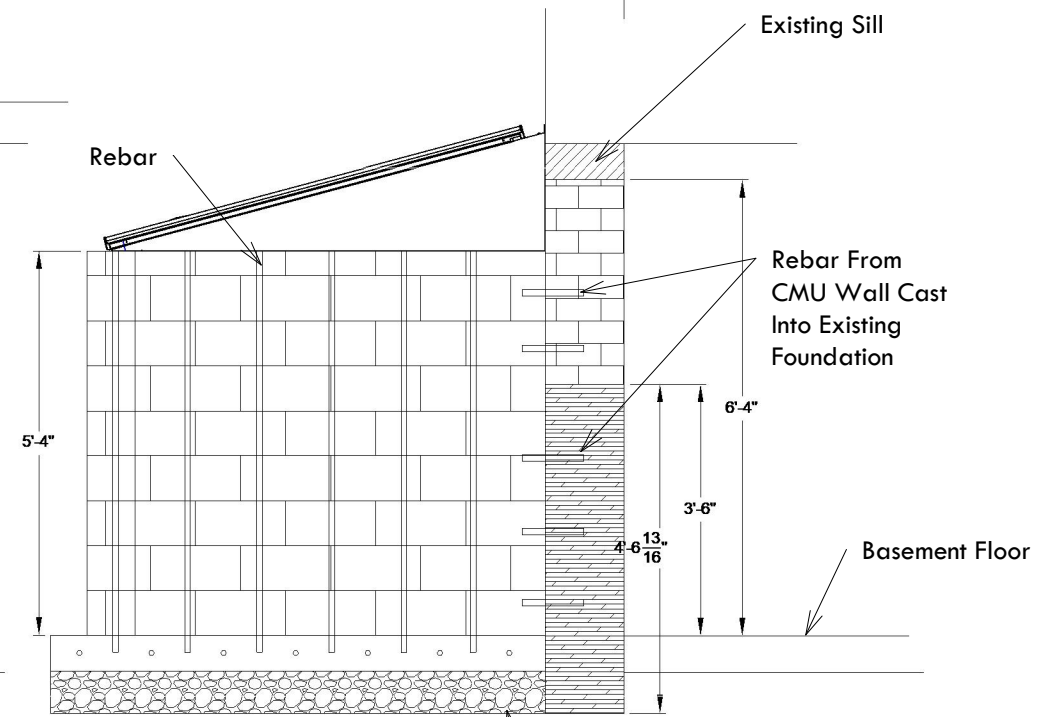
Rebar

Existing Sill

Rebar From
 CMU Wall Cast
 Into Existing
 Foundation

Basement Floor

Existing Field Stone
 Foundation



12/10/2017 10:40:33 AM

Paul & Dorianne Lewin, James & Pamela Grumbach, Co-Owners
 81 William St, Portland, Me 04103 Chart 117 Block D013 Lot 001
 Scale 3/8" = 1'-0"