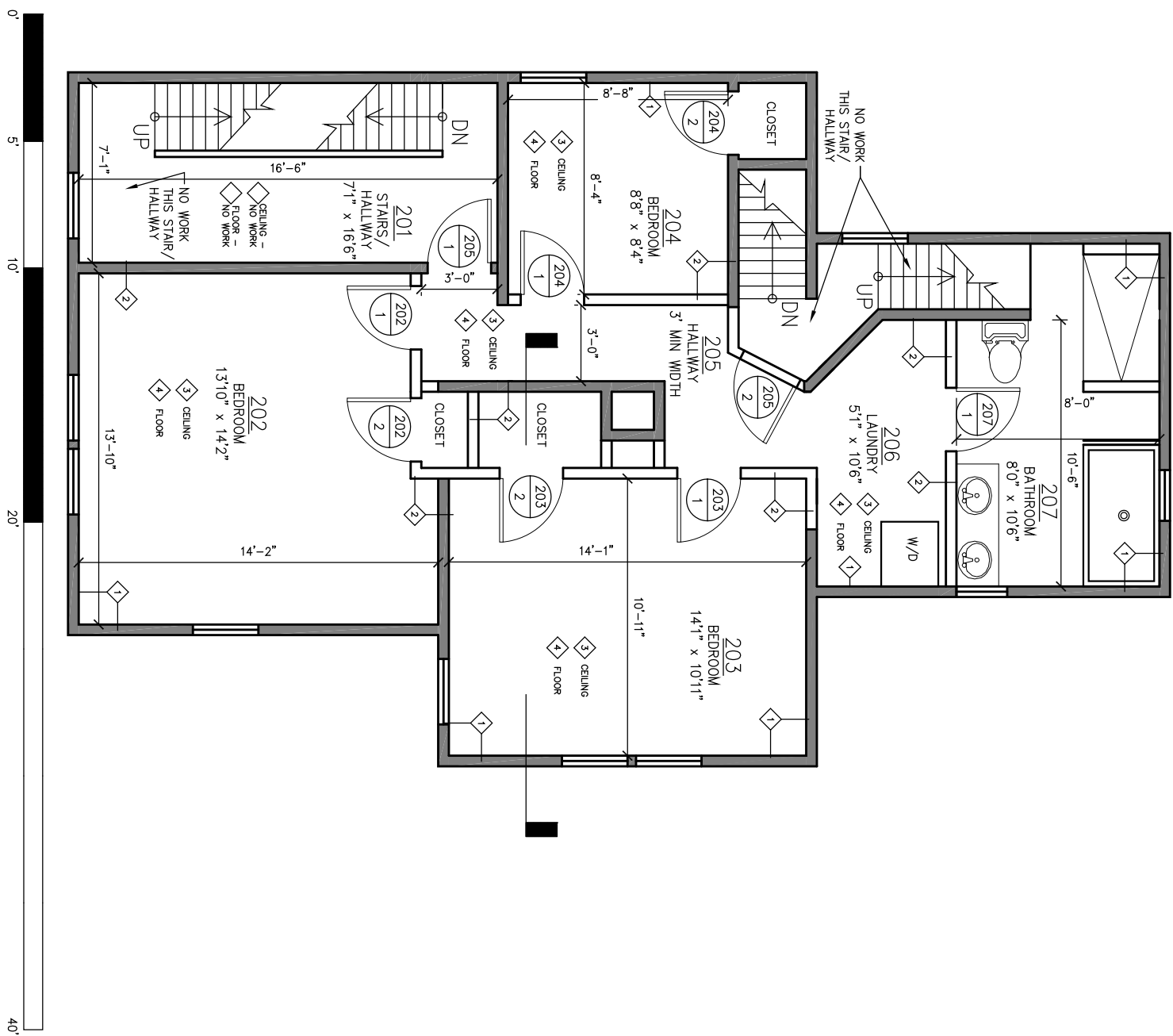


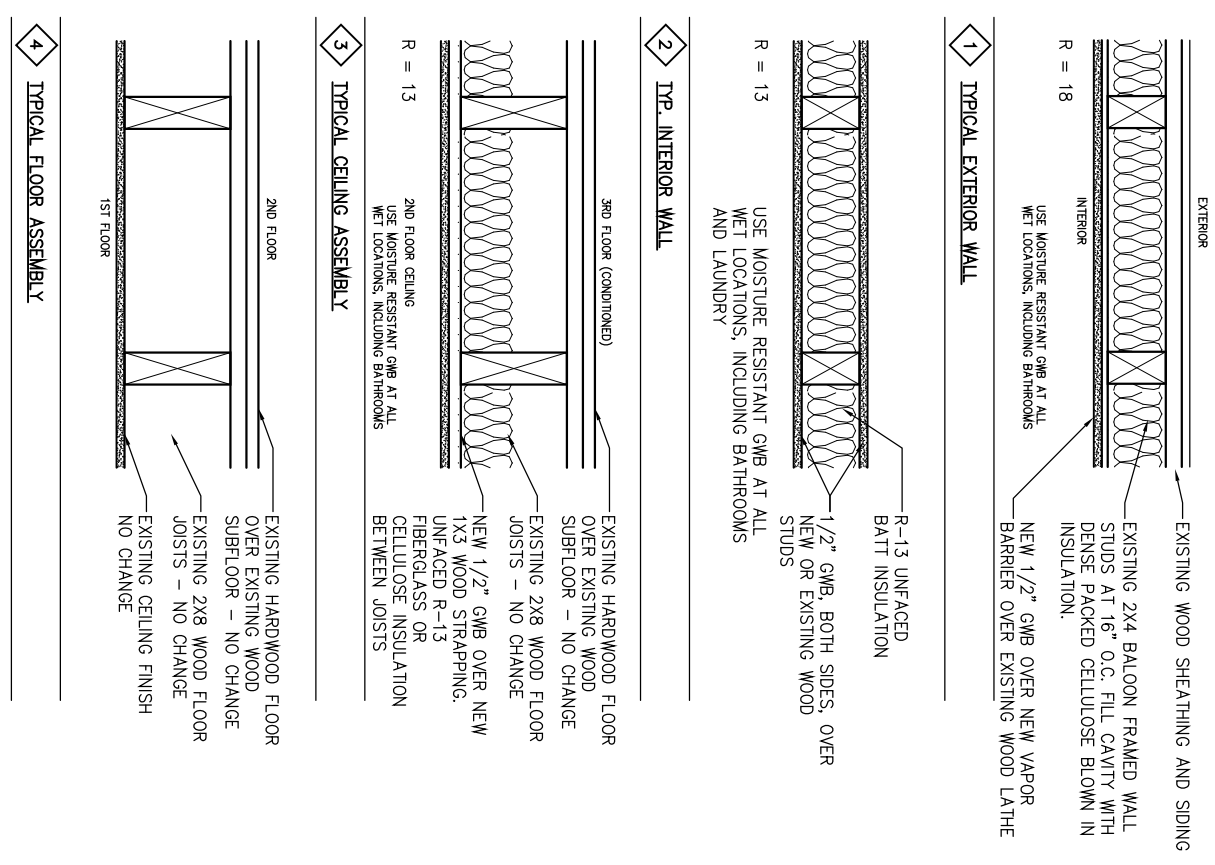
- PLAN LEGEND**
- ▬ EXISTING TO REMAIN
 - ▬ NEW CONSTRUCTION



1 2ND FLOOR PLAN
SCALE = 3/16" = 1'-0"



2 WALL TYPES
SCALE = 1" = 1'-0"



2ND FLOOR RENOVATIONS
75 FESSENDEN STREET
PORTLAND, ME

TITLE
PROPOSED FLOOR
PLAN

DATE
01/11/15

ISSUED FOR
PERMITTING

DRAWING NO.
A1.2