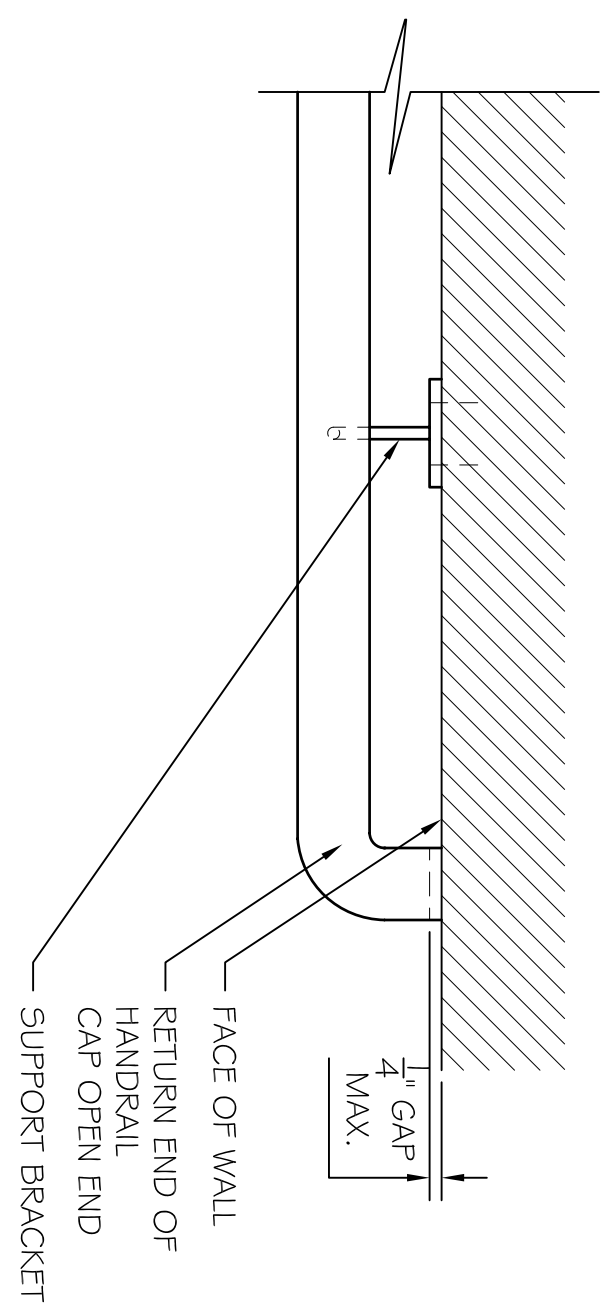
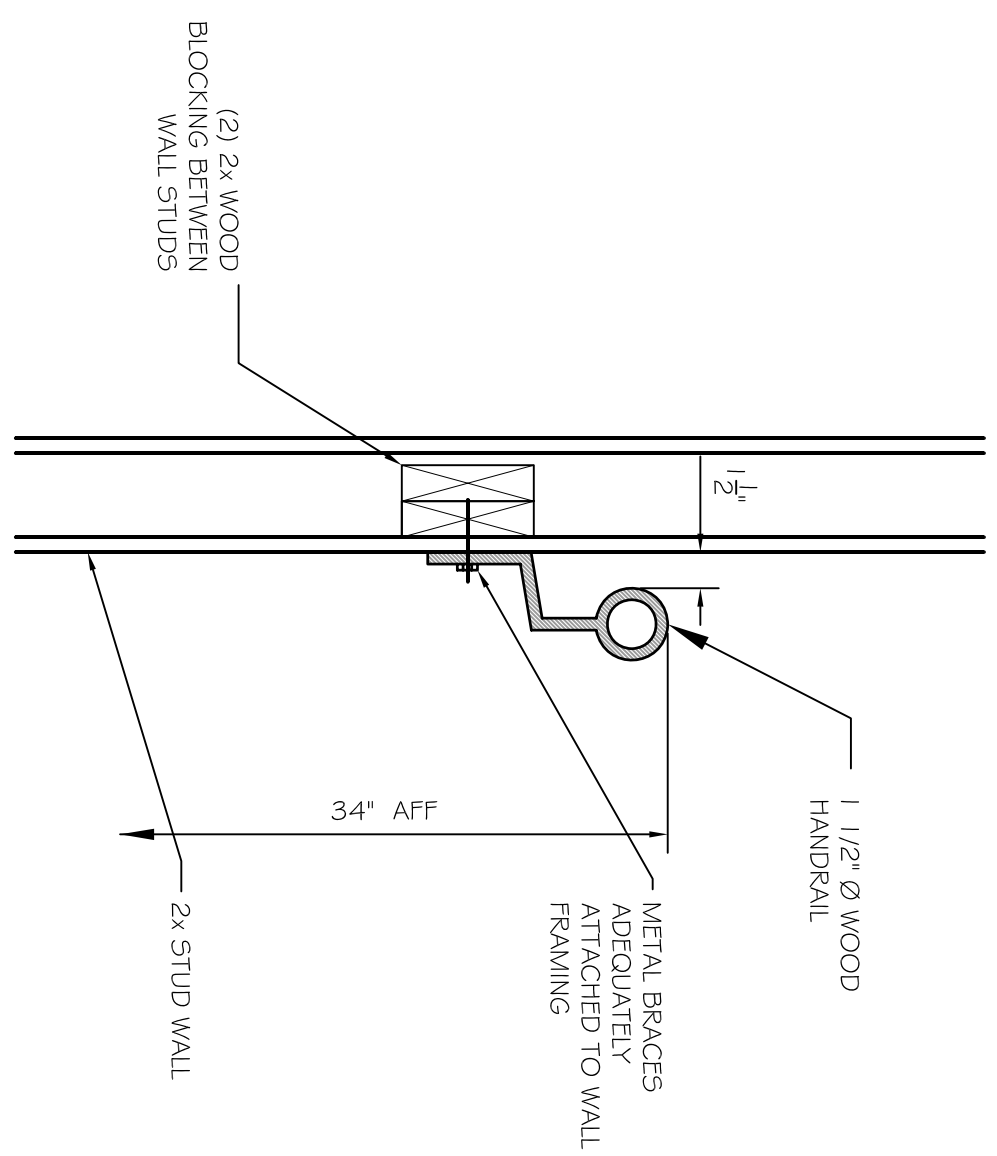


B3 TYP. STAIR SECTION
SCALE: 3/4" = 1'-0"



B2 HANDRAIL CONNECTION DETAIL
SCALE: 3" = 1'-0"



B1 HANDRAIL CONNECTION SECTION
SCALE: 1/2" = 1'-0"

ASSOCIATED DESIGN PARTNERS INC.

80 Leighton Road
Falmouth, Maine 04105
Office: (207) 878-1751
Fax: (207) 878-1788
E-Mail: adp@adpengineering.com

THIS DRAWING, DESIGN AND SPECIFICATIONS ARE THE PROPERTY OF ASSOCIATED DESIGN PARTNERS, INC. AND ARE NOT TO BE REPRODUCED OR USED IN ANY MANNER WITHOUT WRITTEN CONSENT IS PROHIBITED.

PROJECT: **BOLES RESIDENCE**
PORTLAND, MAINE
FOR: ELIAS BOLES
SHEET TITLE:
TYPICAL STAIR SECTIONS + DETAILS
ISSUED FOR PERMITTING

REVISIONS		DATE
No.	BY	DESCRIPTION
1		
2		
3		
4		

DATE : 12/15/06
SCALE : AS NOTED
DESIGN BY: ASW
DRAWN BY: RSC
FILE #: 06095-4601.DWG
PROJECT NUMBER:
06095
SHEET NO:
A701

A4

A3

A2

A1