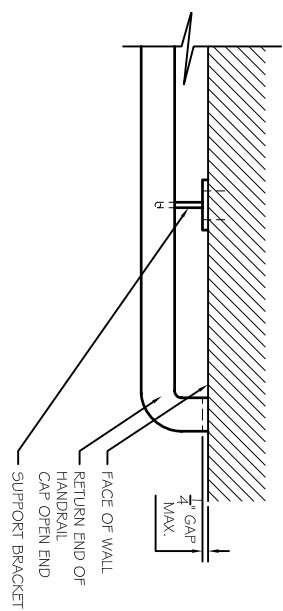
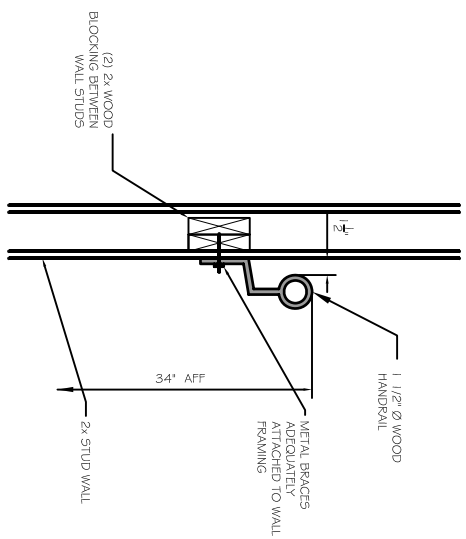


B3 TYP. STAIR SECTION  
SCALE: 3/4" = 1'-0"



B2 HANDRAIL CONNECTION DETAIL  
SCALE: 3" = 1'-0"



B1 HANDRAIL CONNECTION SECTION  
SCALE: 1/2" = 1'-0"

REVISIONS			
No.	BY	DESCRIPTION	DATE

PROJECT: **BOLES RESIDENCE**  
**PORTLAND, MAINE**  
 FOR: ELIAS BOLES

SHEET TITLE:  
**TYPICAL STAIR SECTIONS + DETAILS**  
**ISSUED FOR PERMITTING**

THE ENGINEER, ARCHITECT AND/OR DESIGNER HAS REVIEWED THE WORK FOR CONFORMANCE WITH THE MINIMUM REQUIREMENTS OF THE BUILDING CODES AND REGULATIONS. THE USER OF THIS DOCUMENT ASSUMES ALL LIABILITY FOR THE DESIGN AND CONSTRUCTION OF THE PROJECT.

**ASSOCIATED DESIGN PARTNERS INC.**

80 Leighton Road Office: (207) 878-1751  
 Falmouth, Maine 04105 Fax: (207) 878-1788  
 E-Mail: [adp@adpengineering.com](mailto:adp@adpengineering.com)

DATE: 12/15/08  
 SCALE: AS NOTED  
 DESIGN BY: ASW  
 DRAWN BY: RSC  
 FILE # 4008-401108  
 PROJECT NUMBER:  
**06095**  
 SHEET NO.:  
**A701**

A4  
A3  
A2  
A1