

DOOR SCHEDULE

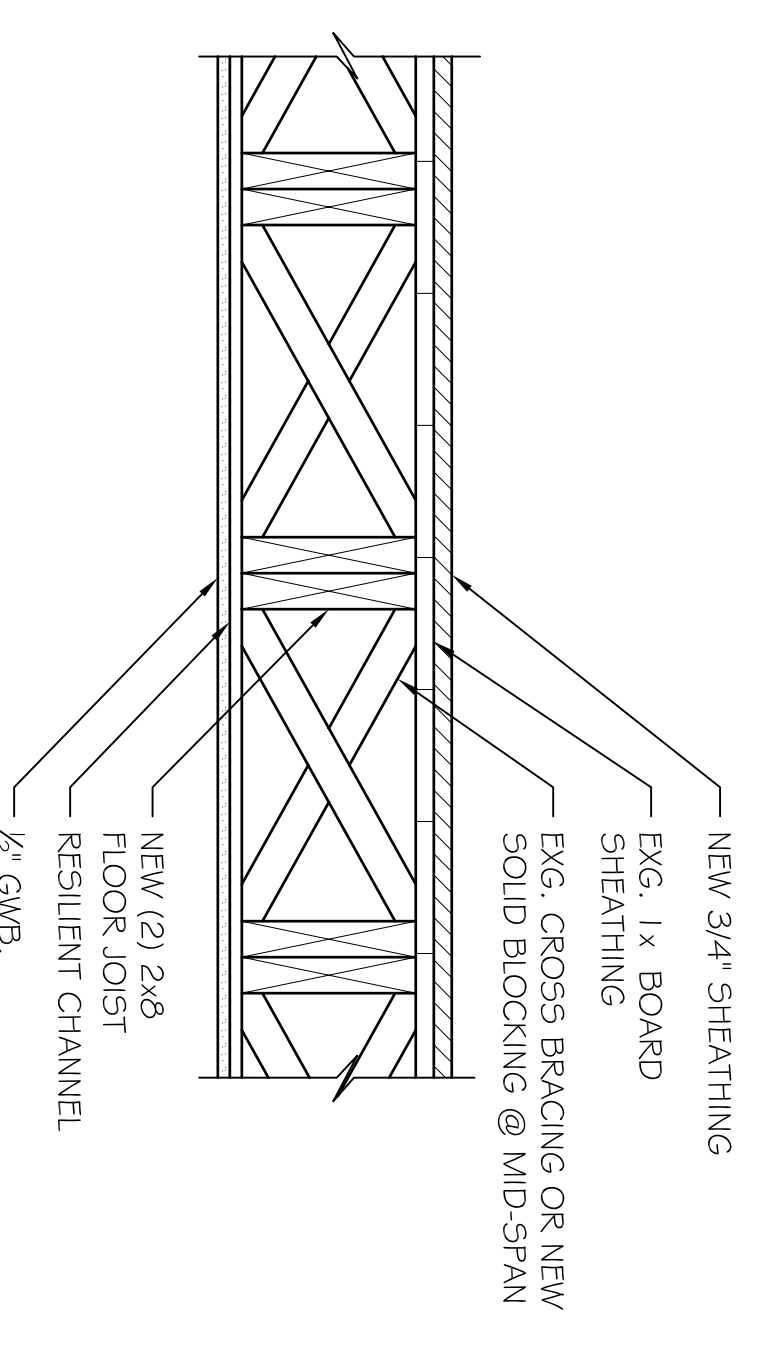
ABBREVIATIONS

ALUM	ALUMINUM	SS	STAINLESS STEEL
EMO	ELECTRO MAGNETIC HOLD OPERATOR	TH	TERMINAL INSULATED
FR	FRAME	V	VENEER
GL	GLASS	W	WOOD
HW	HOLLOW METAL	WO	WOOD
INSUL	INSULATED	WT	WOOD

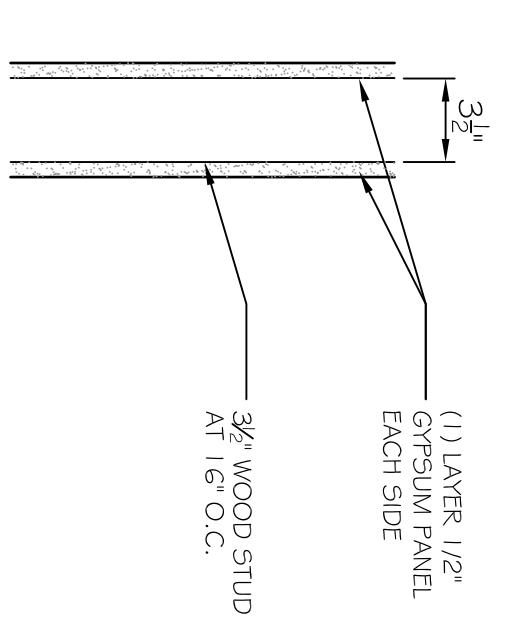
NO.	TYPE	SIZE (WxH)	THK	INSUL	HDWE	FR	GLASS		REMARKS	FRAMES		THRESHOLDS	
							TYPE	SIZE		FR	PROFILE	MATERIAL	DETAILS
101	C	3070	1 3/4	YES	HW-1	NO	---	---	---	MTL	NO	MTL	---
102	A	3070	1 3/4	NO	HW-1	20mm	---	---	min R-VALUE: 17.50	MTL	20mm	MTL	---

NOTES

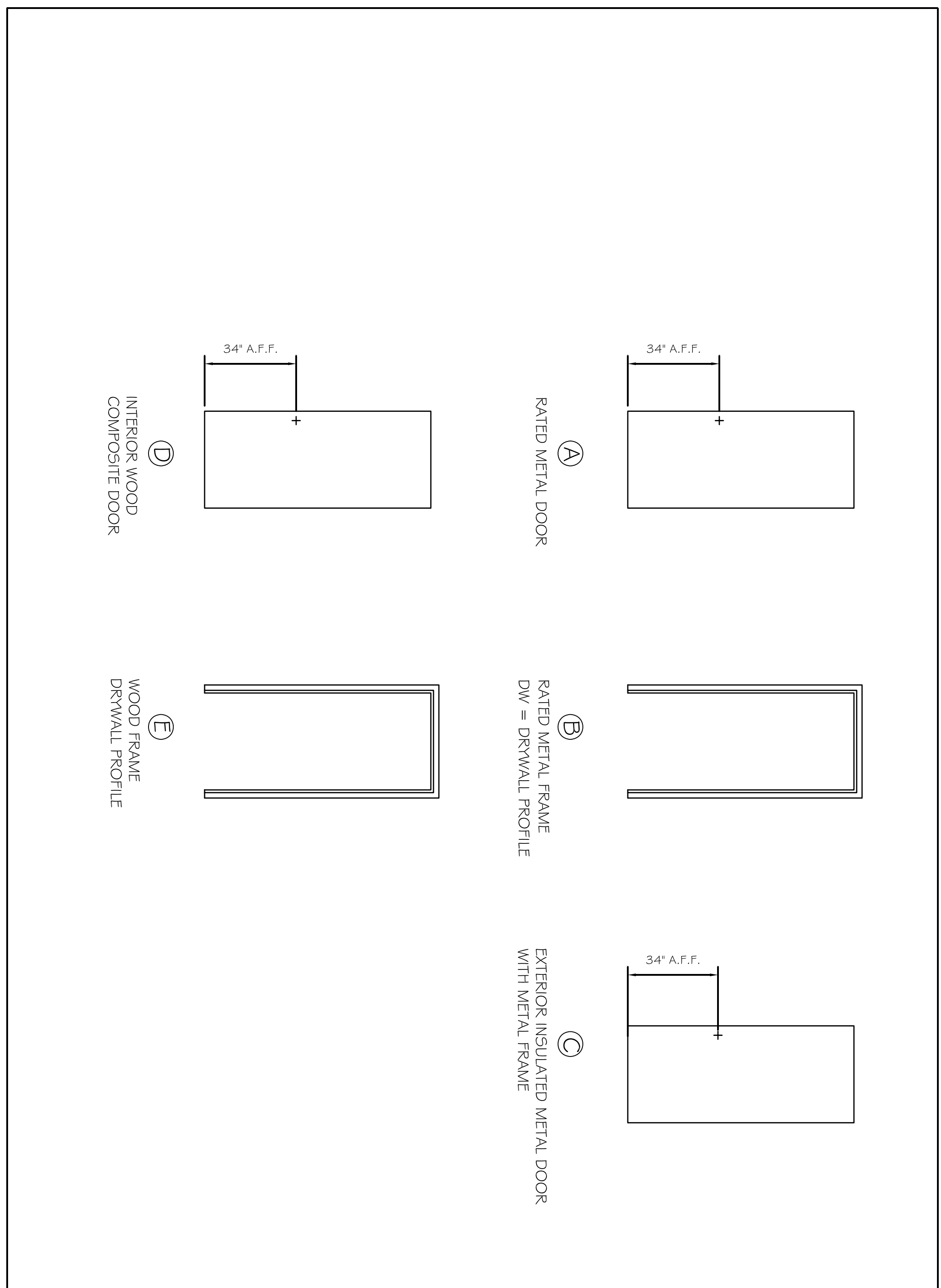
1. ALL RATED DOORS TO HAVE CLOSERS.
2. ALL INTERIOR DOORS TO BE SOLID CORE WOOD COMPOSITE WITH WOOD CASINGS. SIZE AND SWING AS NOTED ON THE FLOOR PLANS



UL DESIGN I502  
1 HR FLOOR CEILING ASSEMBLY



UL DESIGN: U 317 FIRE CAULK PERIMETER  
3/4 HOUR INTERIOR WALL



DOOR TYPES

- HW-1 BUTTS, CLOSER, LEVER EXIT FUNCTION, THRESHOLD, WEATHER STRIPPING, LOCKSET; DOOR BOTTOM/SWEEP
- HW-2 BUTTS; LEVER PASSAGE FUNCTION LATCHSET; SILENCERS
- HW-3 BUTTS; CLOSER, LEVER EXIT FUNCTION (PANIC DEVICE) LOCKSET; SILENCERS
- HW-4 BUTTS; CLOSER, PUSH/PULL UNIT; SILENCERS
- HW-5 BUTTS; CLOSER, EXT FUNCTION LEVER LOCKSET; SILENCERS
- HW-6 BUTTS; LEVER PRIVACY LOCKSET; SILENCERS
- HW-7 BUTTS; LEVER OFFICE FUNCTION LOCKSET; SILENCERS
- HW-8 BUTTS; LEVER PASSAGE FUNCTION LATCHSET; CLOSER; SILENCERS

HARDWARE SETS

C

B

A

**ASSOCIATED DESIGN PARTNERS INC.**

80 Leighton Road  
Falmouth, Maine 04105

Office: (207) 878-1751  
Fax: (207) 878-1788  
E-Mail: adp@adpengineering.com

PROJECT: **BOLES RESIDENCE**  
**PORTLAND, MAINE**  
FOR: ELIAS BOLES

SHEET TITLE:  
**DOOR SCHEDULE AND DETAILS**  
**ISSUED FOR PERMITTING**

REVISIONS	DESCRIPTION	DATE
No.	BY	
1		
2		
3		

DATE: 12/15/06  
SCALE: AS NOTED  
DESIGN BY: ASW  
DRAWN BY: BSC

PROJECT NUMBER:  
**060995**

SHEET NO:  
**A601**

THIS DRAWING, DESIGN AND ELECTRONIC FILE ARE THE PROPERTY OF ASSOCIATED DESIGN PARTNERS, INC. NO REUSE, REPRODUCTION OR OTHER USE OF THIS DOCUMENT WITHOUT WRITTEN CONSENT IS PROHIBITED.