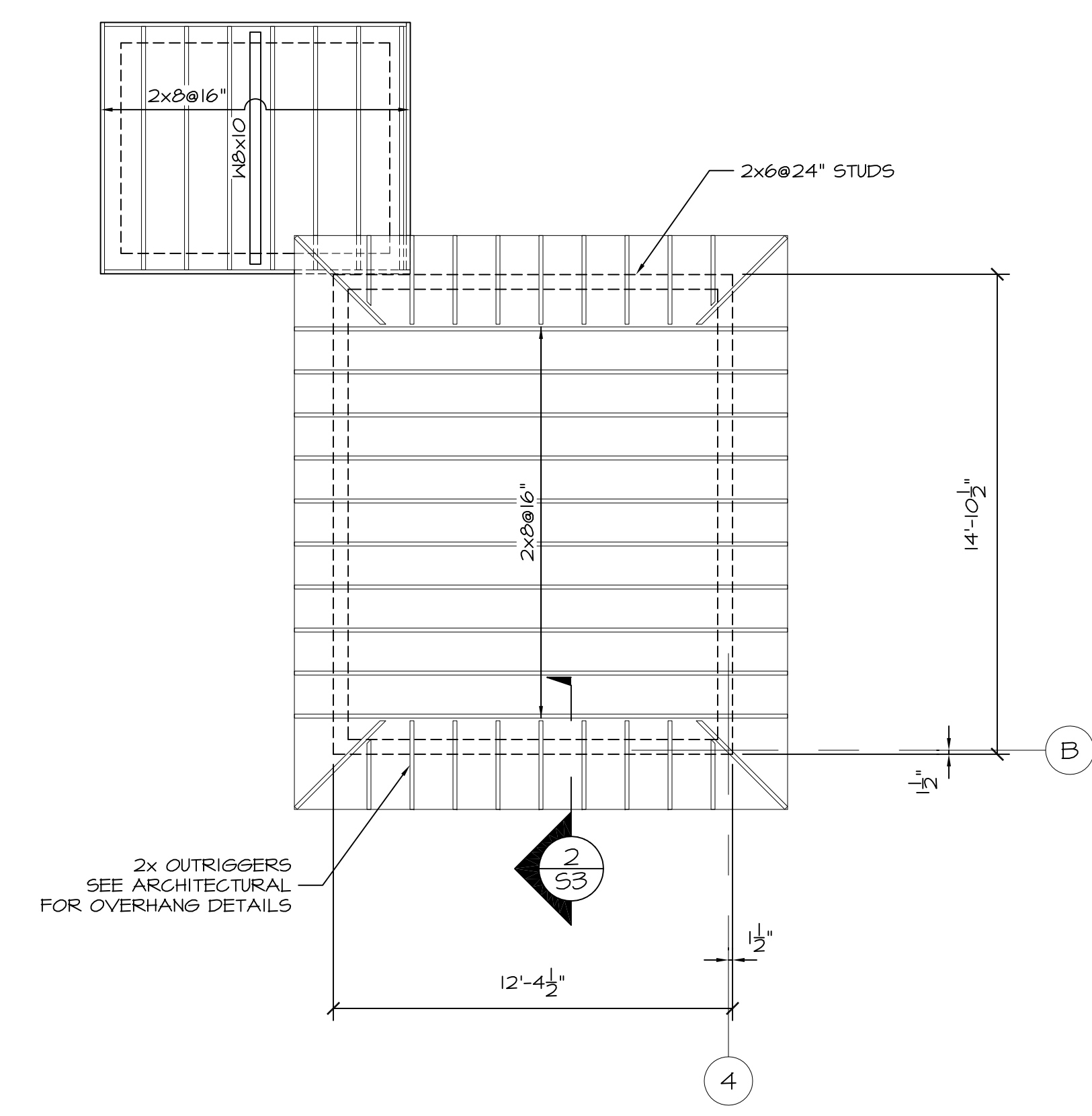
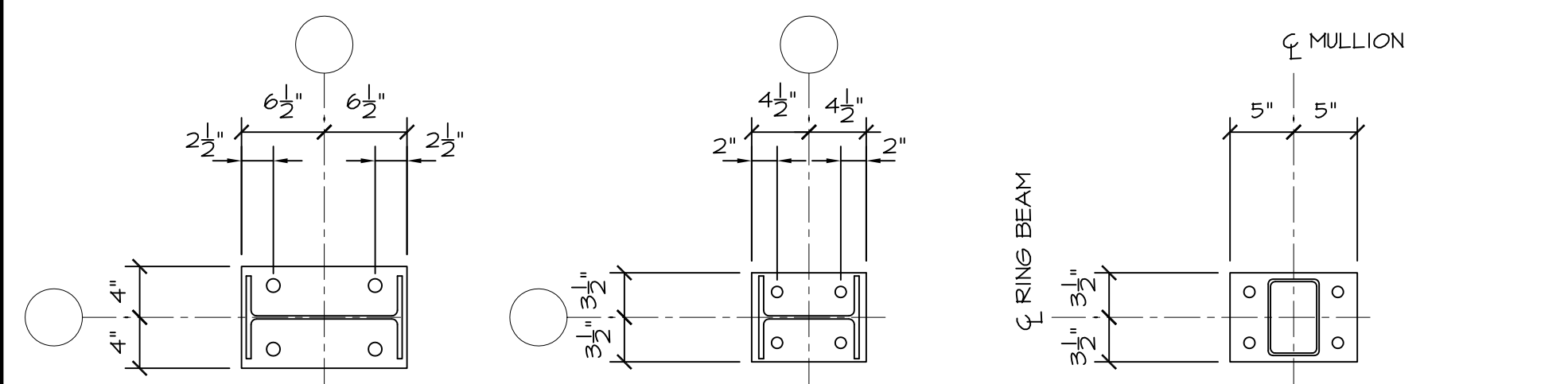


**ROOF FRAMING PLAN**  
1/4"=1'-0"

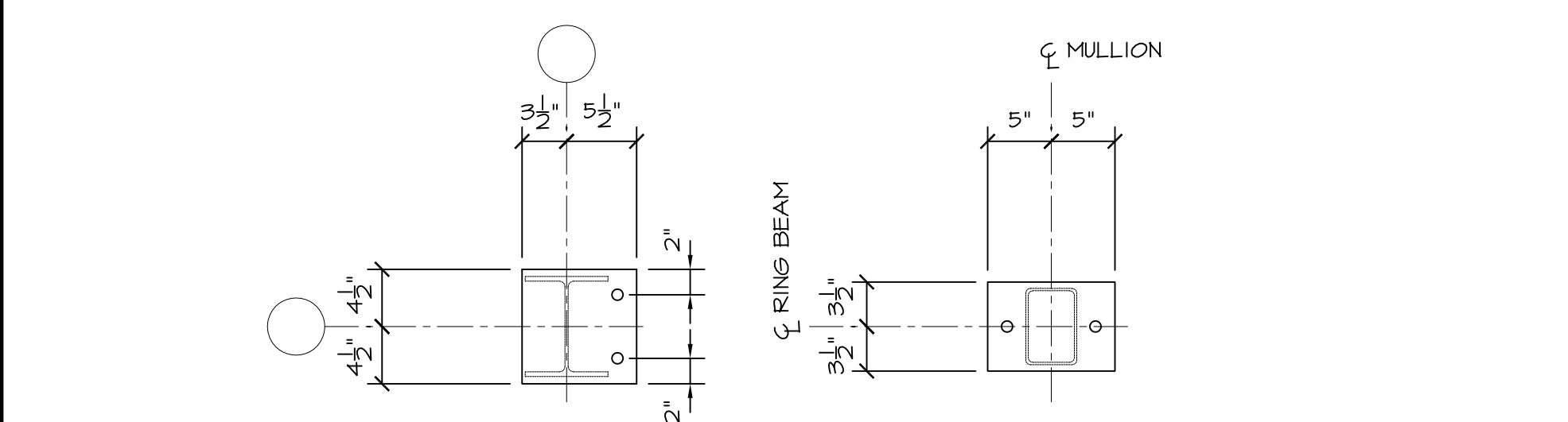


**TOWER/ELEVATOR ROOF FRAMING PLAN**  
1/4"=1'-0"

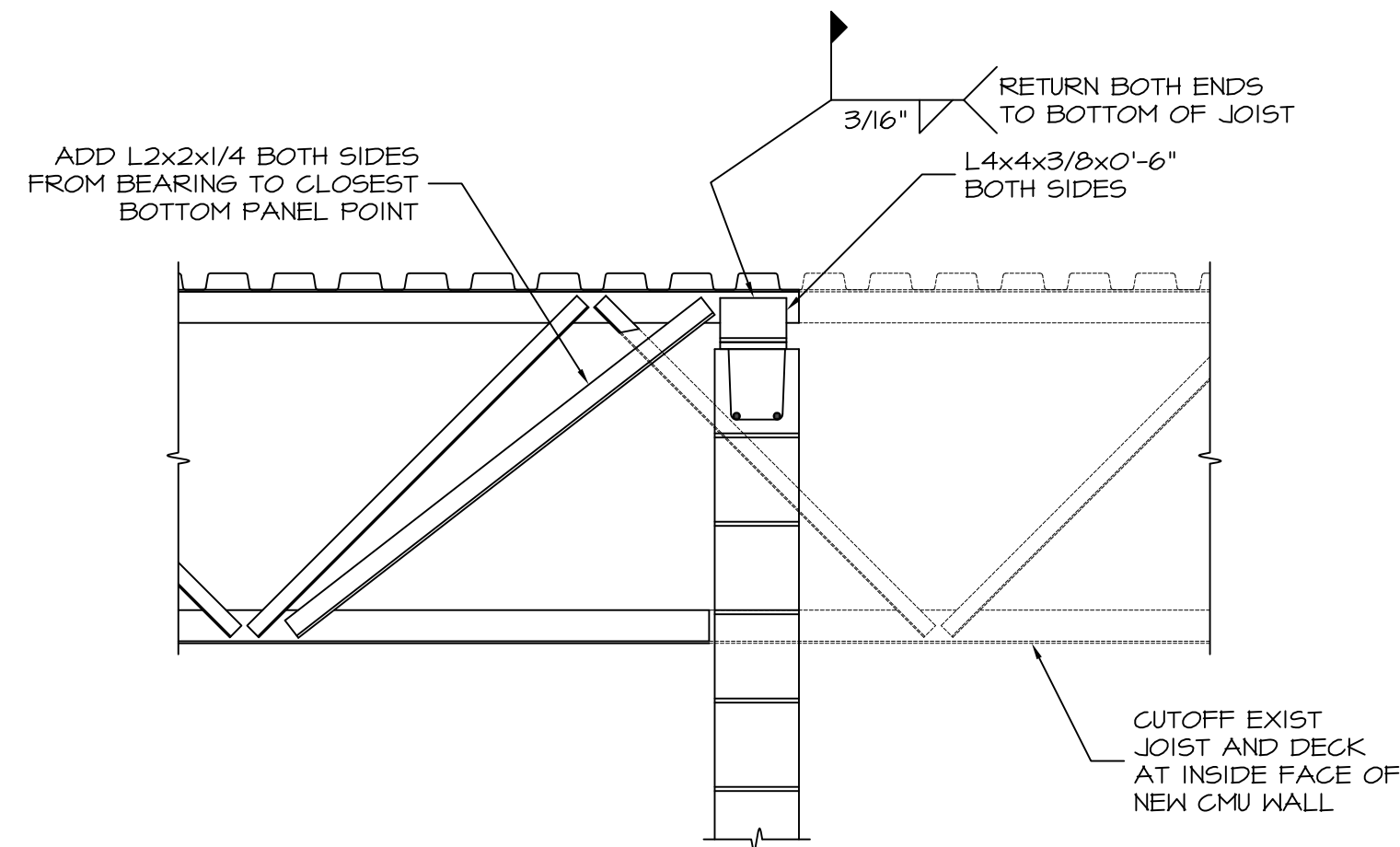
COLUMN AND POST SCHEDULE					
COLUMN LOCATION	SIZE	BOT. OF BASE PL. ELEV.	BASE PL. TYPE	CAP PL. TYPE	TOP OF COL. OR CAP PL. ELEV.
1-C 2-C	W12x26	35'-4"	B1	NONE	46'-8"
4-A 3-B	W8x24	1" ABOVE EXIST. FDN.	B2	C1	BOTTOM OF EXIST. CONC. RING BEAM
4-B	W8x24	1" ABOVE EXIST. FDN.	B2	NONE	TOP OF EXIST. ROOF JOIST
WITHIN DOOR MULLIONS	H556x4x0.1875	1" ABOVE EXIST. FDN.	B3	C2	BOTTOM OF EXIST. CONC. RING BEAM



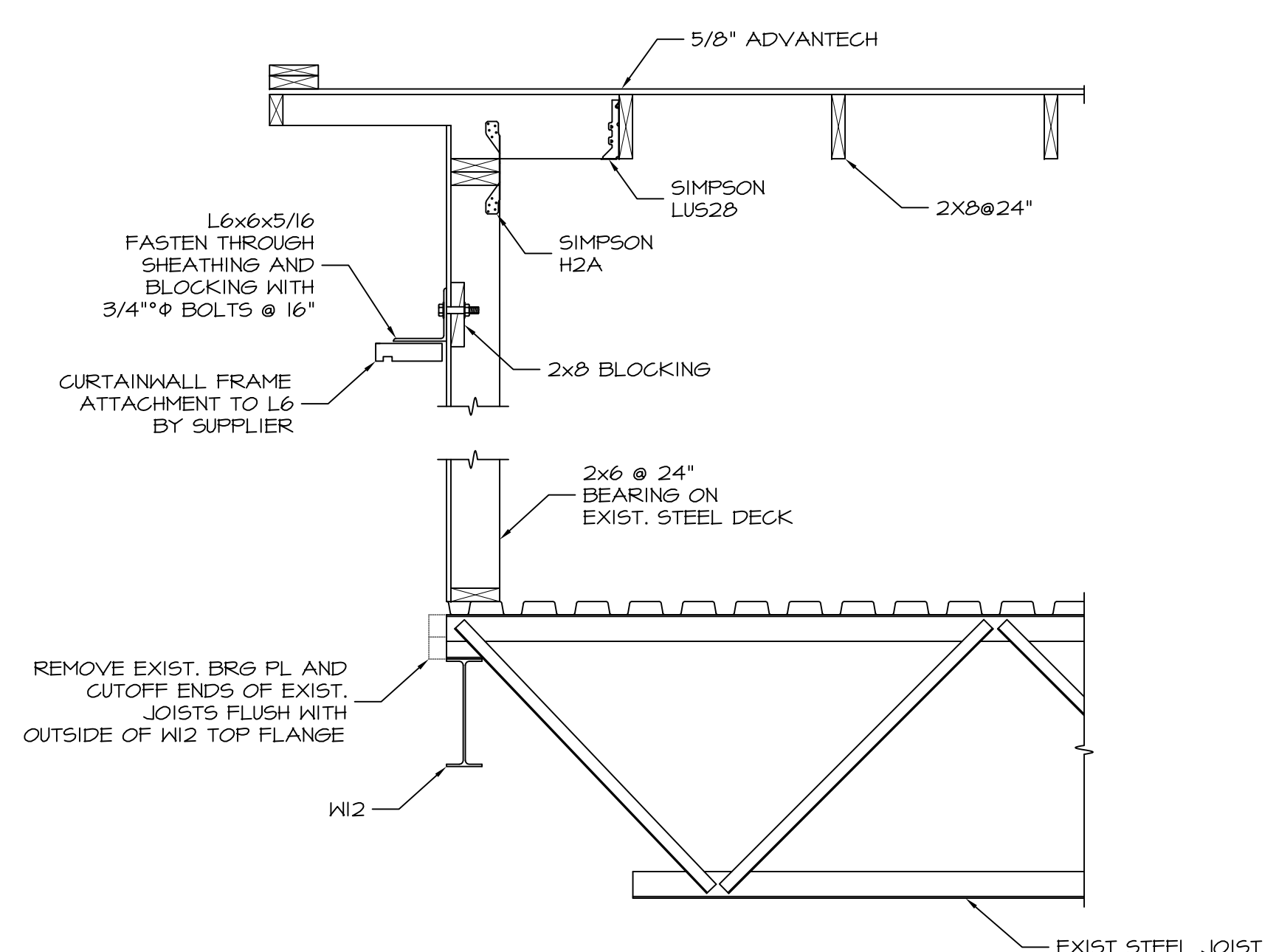
**BASE PLATE DETAILS**  
1"=1'-0"  
HOLE EDGE DISTANCE = 1 1/2" UNLESS NOTED.



**CAP PLATE DETAILS**  
1"=1'-0"  
HOLE EDGE DISTANCE = 1 1/2" UNLESS NOTED.  
HOLE DIA. = 7/8"  
BOLTS 3/4" x EXPAN. WITH 4 1/2" EMBEDMENT



**SECTION 1**  
3/4"=1'-0" S3  
ADEQUATELY SHORE EXISTING JOISTS UNTIL NEW JOIST SEAT AND WEB MEMBERS ARE INSTALLED. SHORING MUST BE CAPABLE OF SUPPORTING 8000 POUNDS.



**SECTION 2**  
3/4"=1'-0" S3  
SEE ARCHITECTURAL FOR OVERHANG CONFIGURATION AND DETAILS

Prepared for:

**ARCHETYPE, P.A. ARCHITECTS**  
48 Union Wharf Portland, Maine 04101  
(207) 772-6022 Fax (207) 772-4056

Date: 26 APRIL 2010  
Scale: As Noted

**ROOF FRAMING PLAN & DETAILS**  
Project: **TOWN & COUNTRY**  
426 FOREST AVENUE  
PORTLAND, MAINE

**S3**