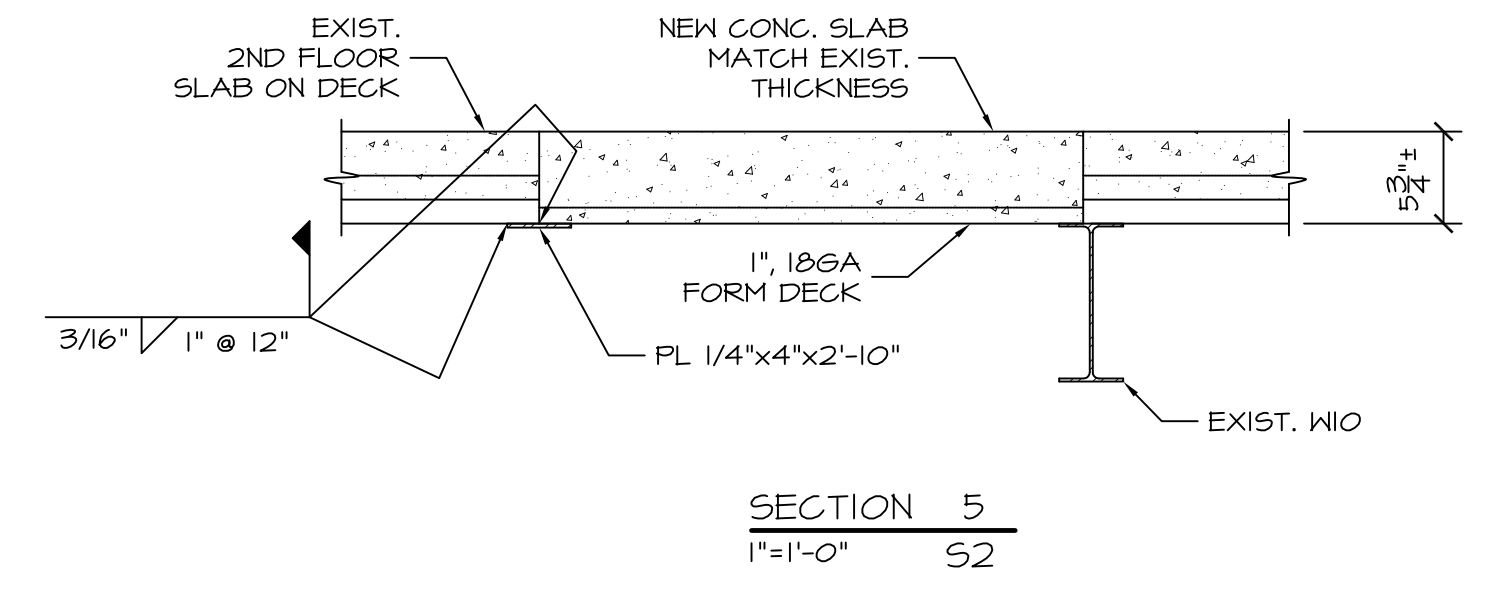
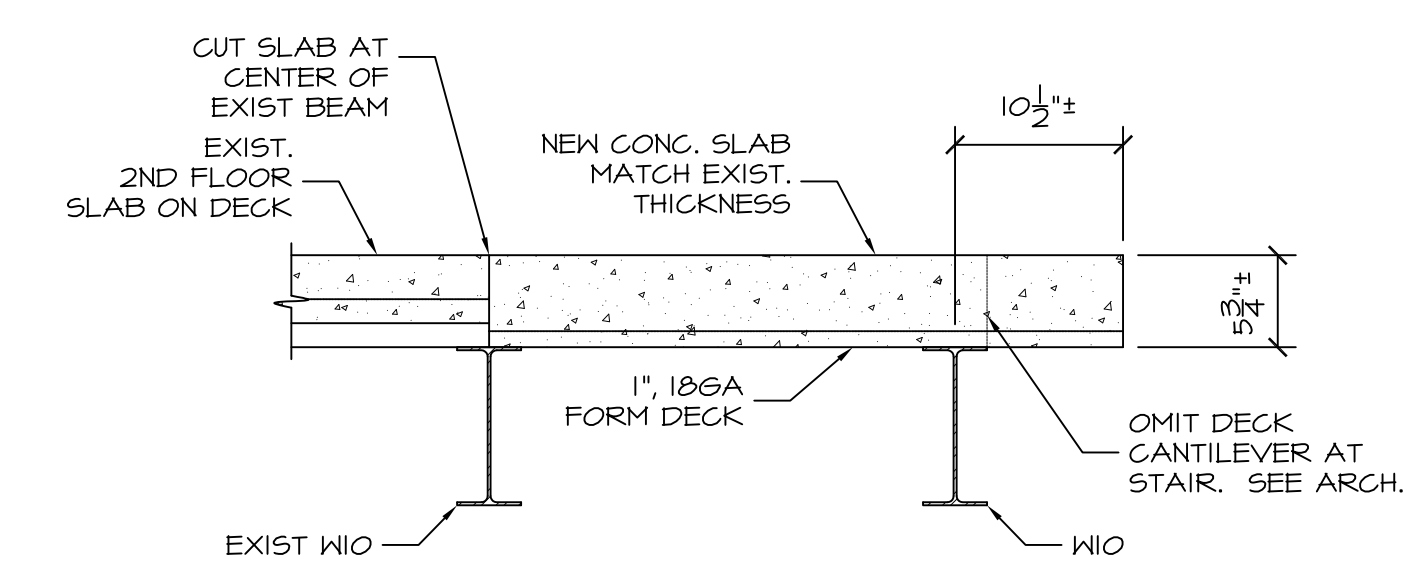


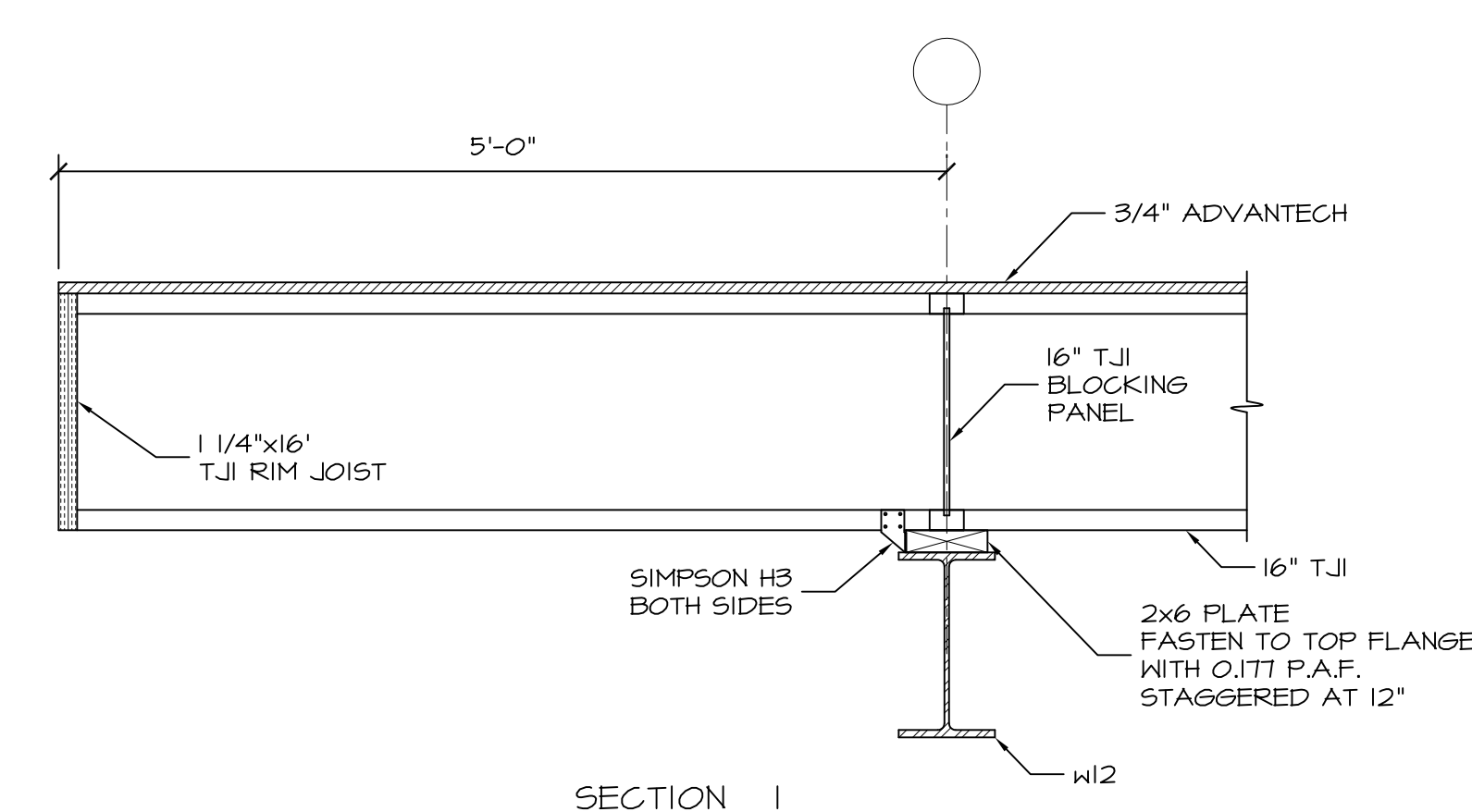
SECOND FLOOR/DRIVE-UP ROOF FRAMING PLAN
1/4"=1'-0"
SEE S3 FOR COLUMN SCHEDULE AND BEARING PLATE DETAILS.



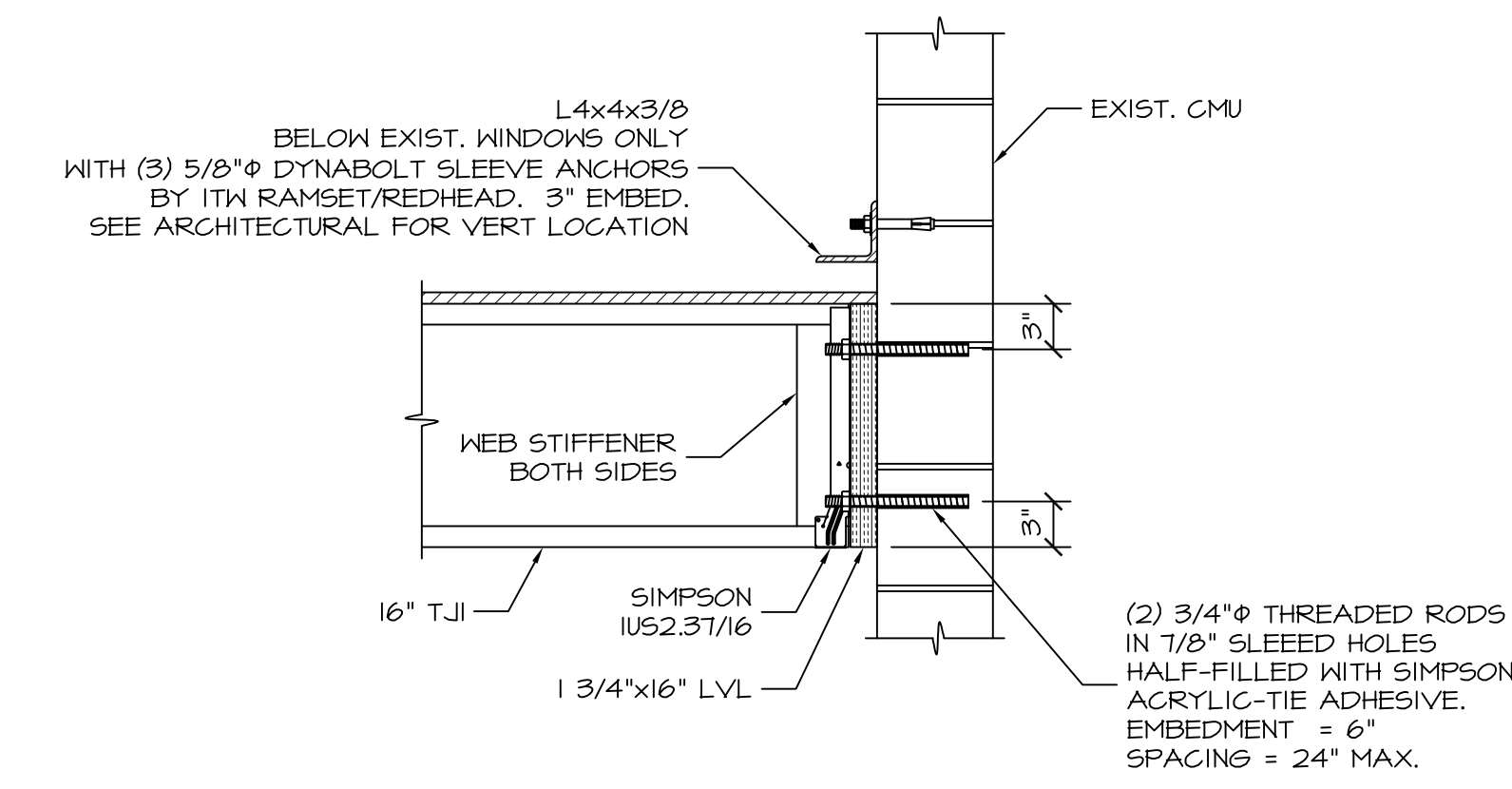
SECTION 5
1"=1'-0"
S2



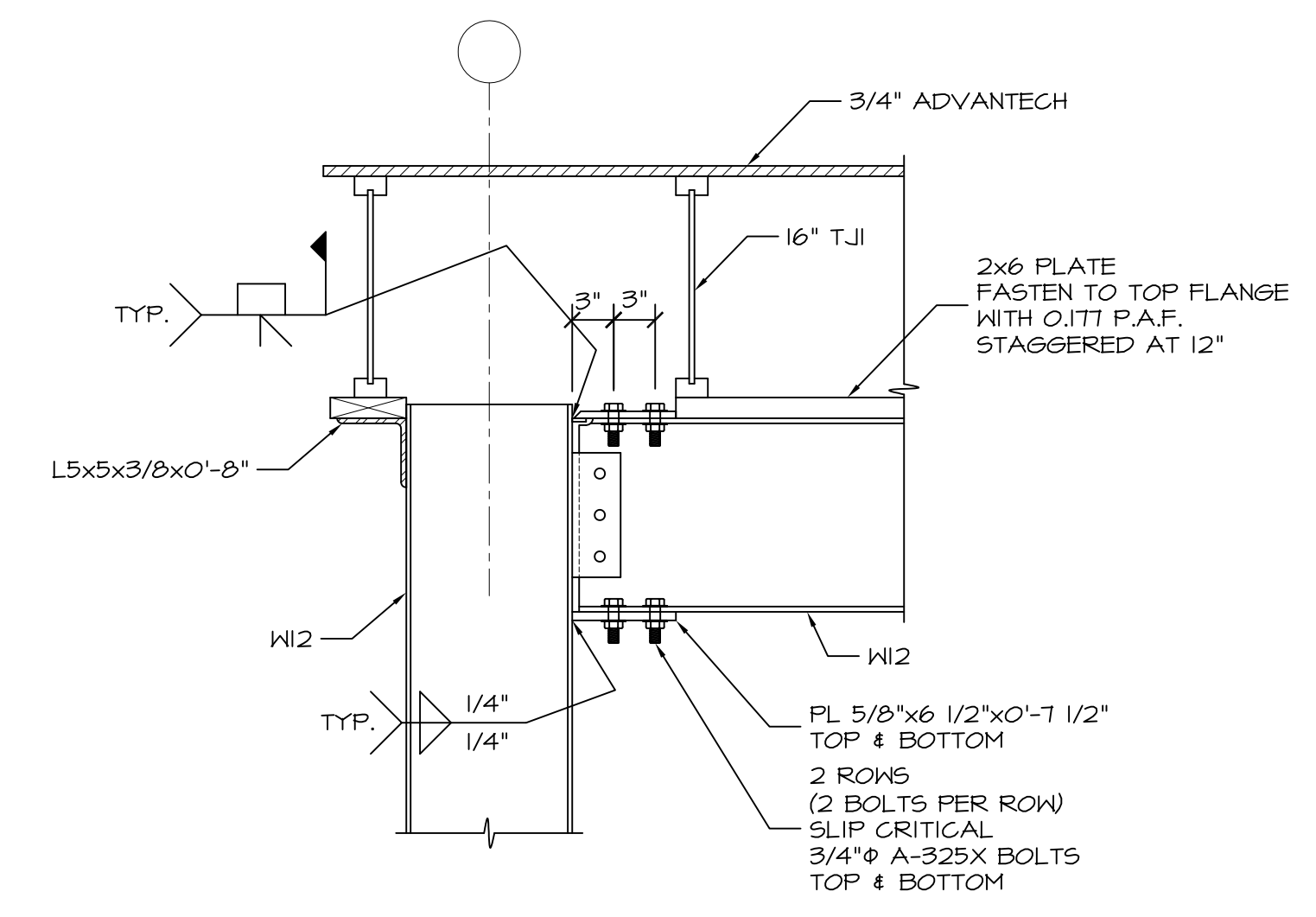
SECTION 4
1"=1'-0"
S2



SECTION 1
1"=1'-0"
S2
SEE ARCHITECTURAL FOR OVERHANG CONFIGURATION AND DETAILS



SECTION 2
1"=1'-0"
S2



SECTION 3
1"=1'-0"
S2

Prepared for:

**ARCHETYPE, P.A.
ARCHITECTS**

48 Union Wharf Portland, Maine 04101
(207) 772-6022 Fax (207) 772-4056

Date: 26 APRIL 2010
Scale: As Noted

**2ND FLOOR/DRIVE-UP
FRAMING PLAN & DETAILS**

Project:
**TOWN & COUNTRY
426 FOREST AVENUE
PORTLAND, MAINE**

S2