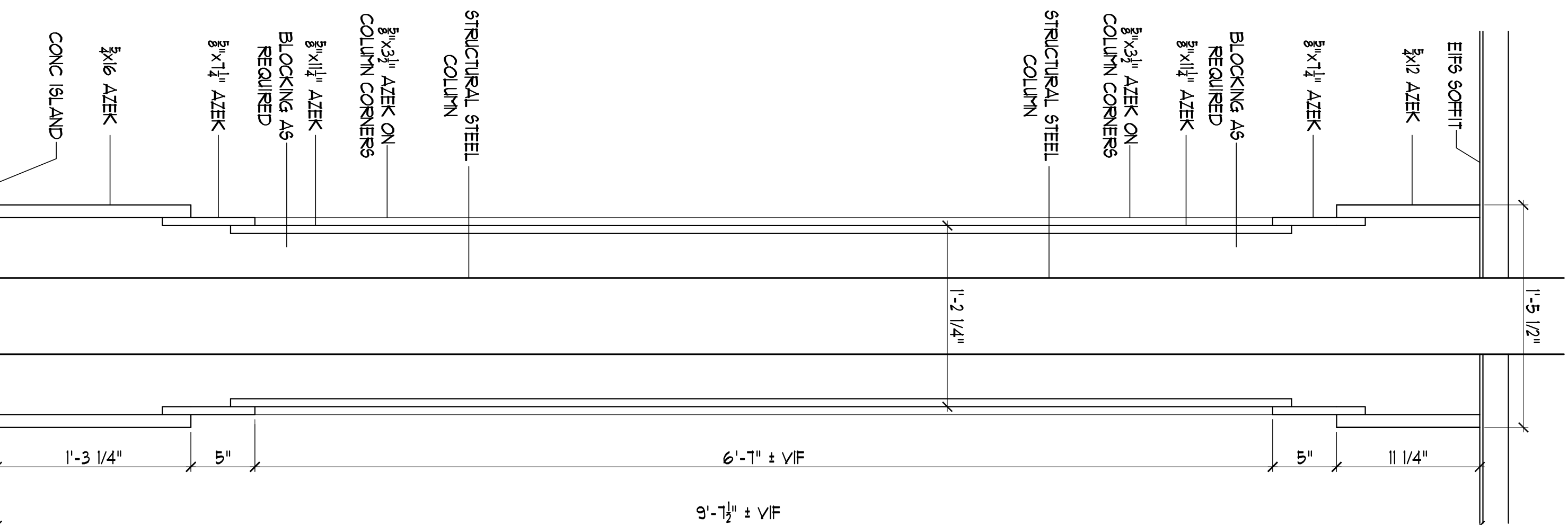
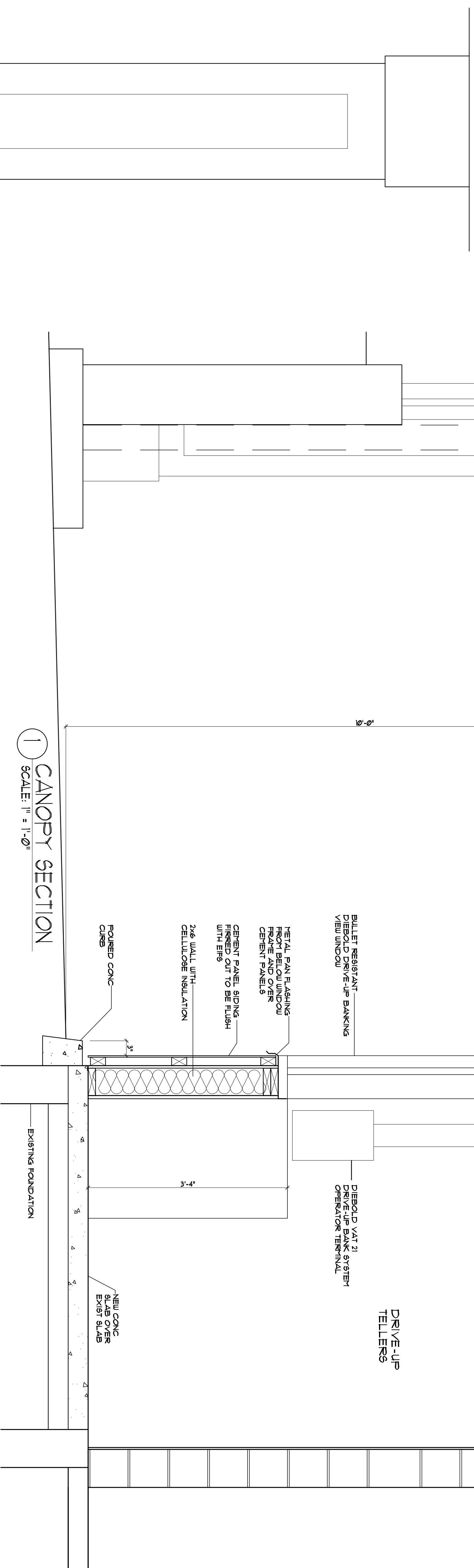
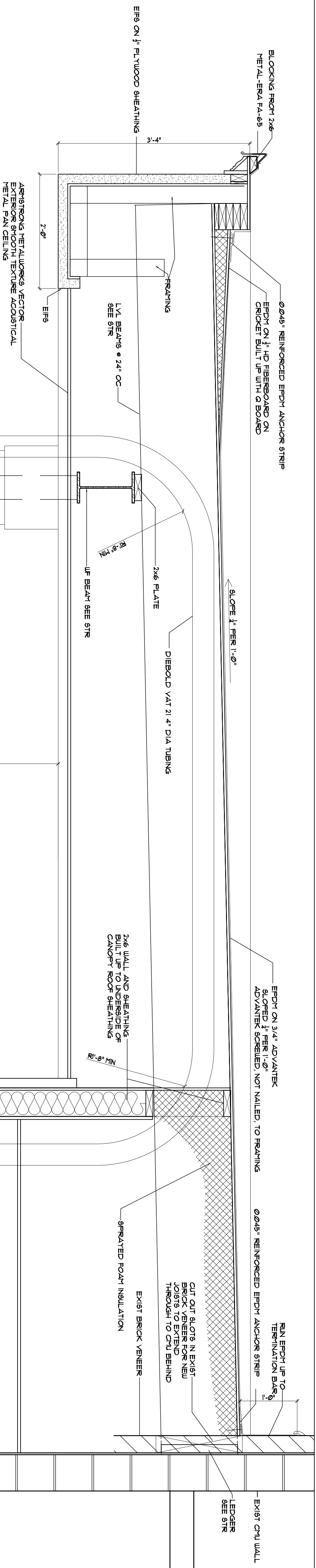


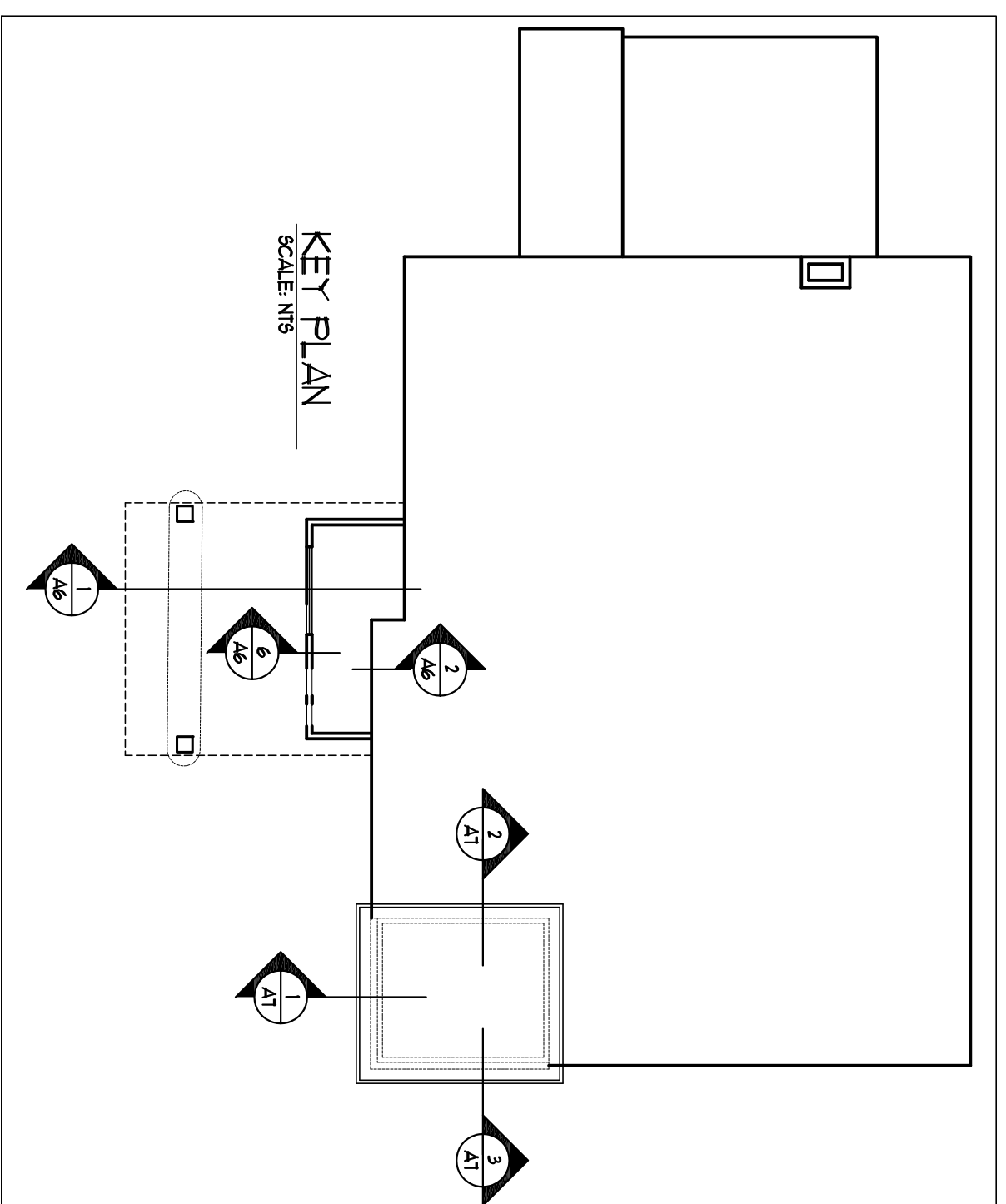
3 CANOPY COLUMN PLAN
SCALE: 1/4" = 1'-0"



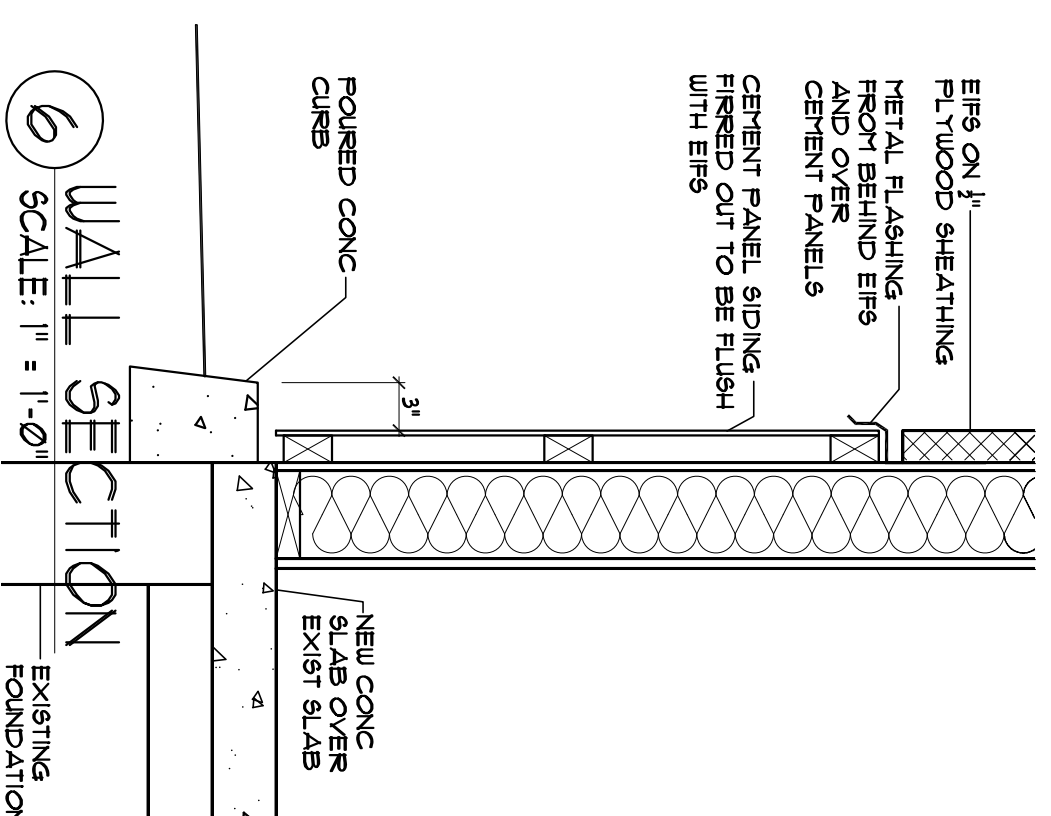
4 CANOPY COLUMN SECTION
SCALE: 1/4" = 1'-0"



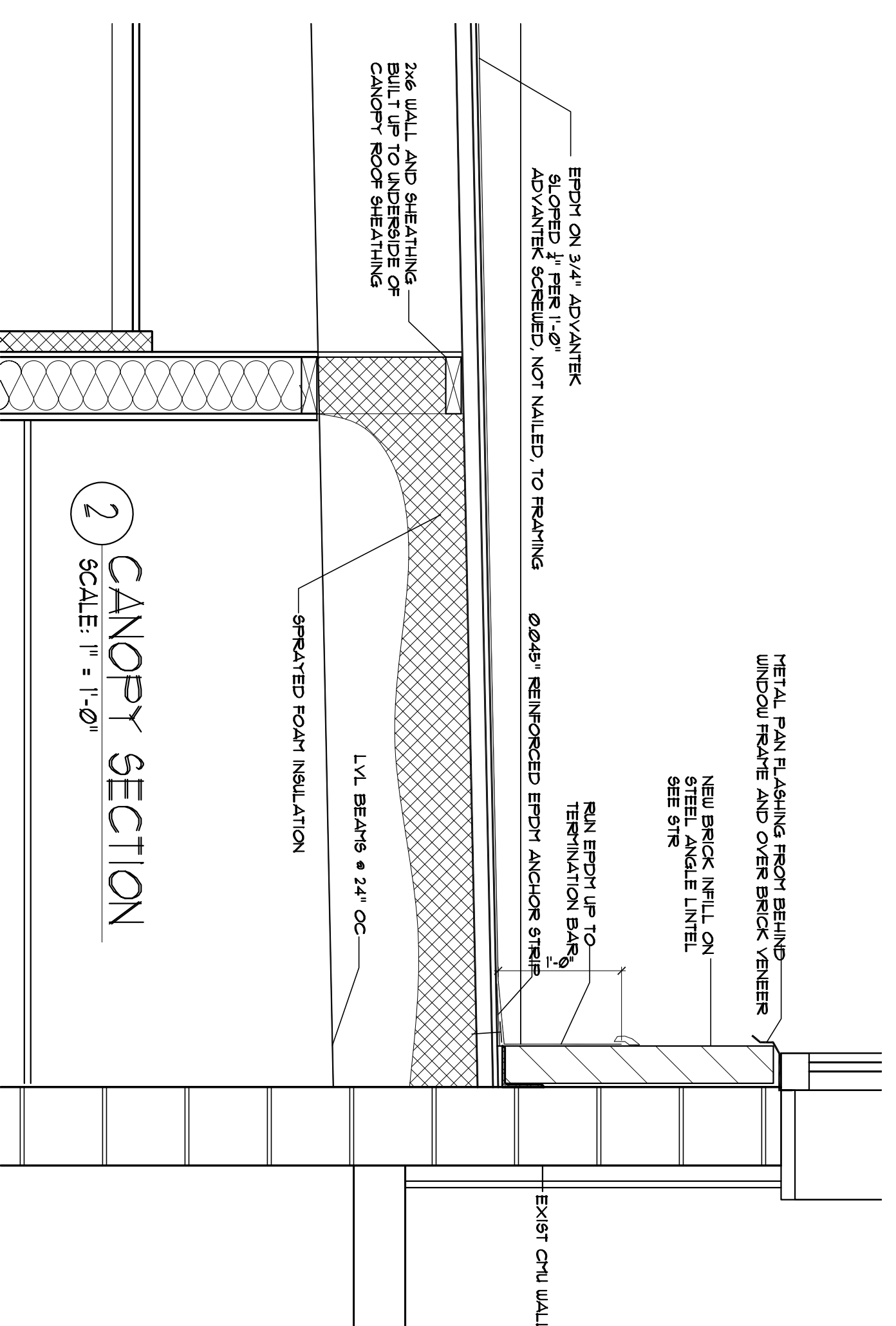
1 CANOPY SECTION
SCALE: 1/4" = 1'-0"



KEY PLAN
SCALE: N/A



6 WALL SECTION
SCALE: 1/4" = 1'-0"



2 CANOPY SECTION
SCALE: 1/4" = 1'-0"

Prepared for:

ARCHETYPE, P.A.
ARCHITECTS

48 Union Wharf Portland, Maine 04101
(207) 772-6022 Fax (207) 772-4056

Scale
1/4" = 1'-0"

Date
26 APRIL 2010

CANOPY DETAILS

Project:
TOWN & COUNTRY
426 FOREST AVENUE
PORTLAND, MAINE

A6