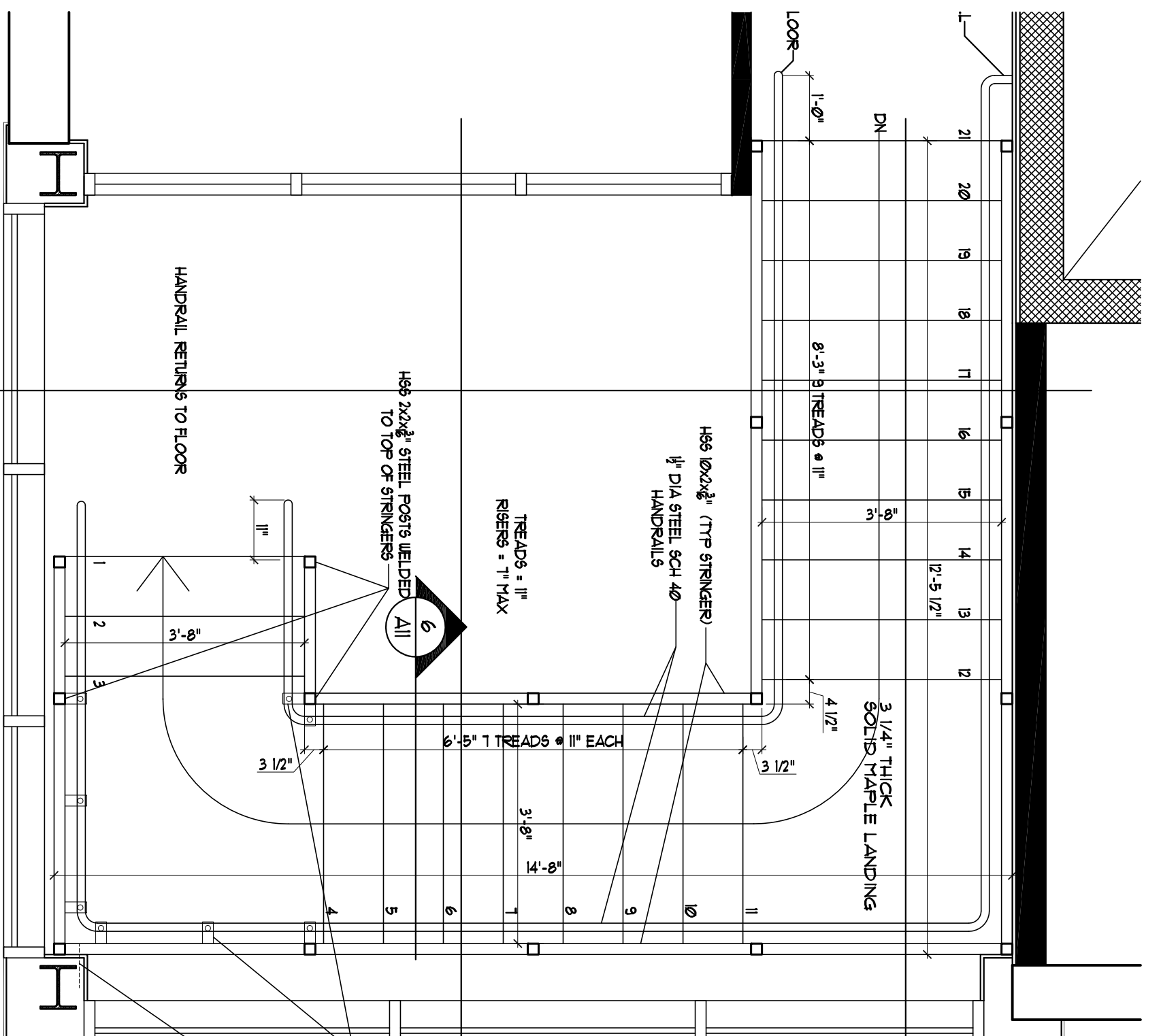
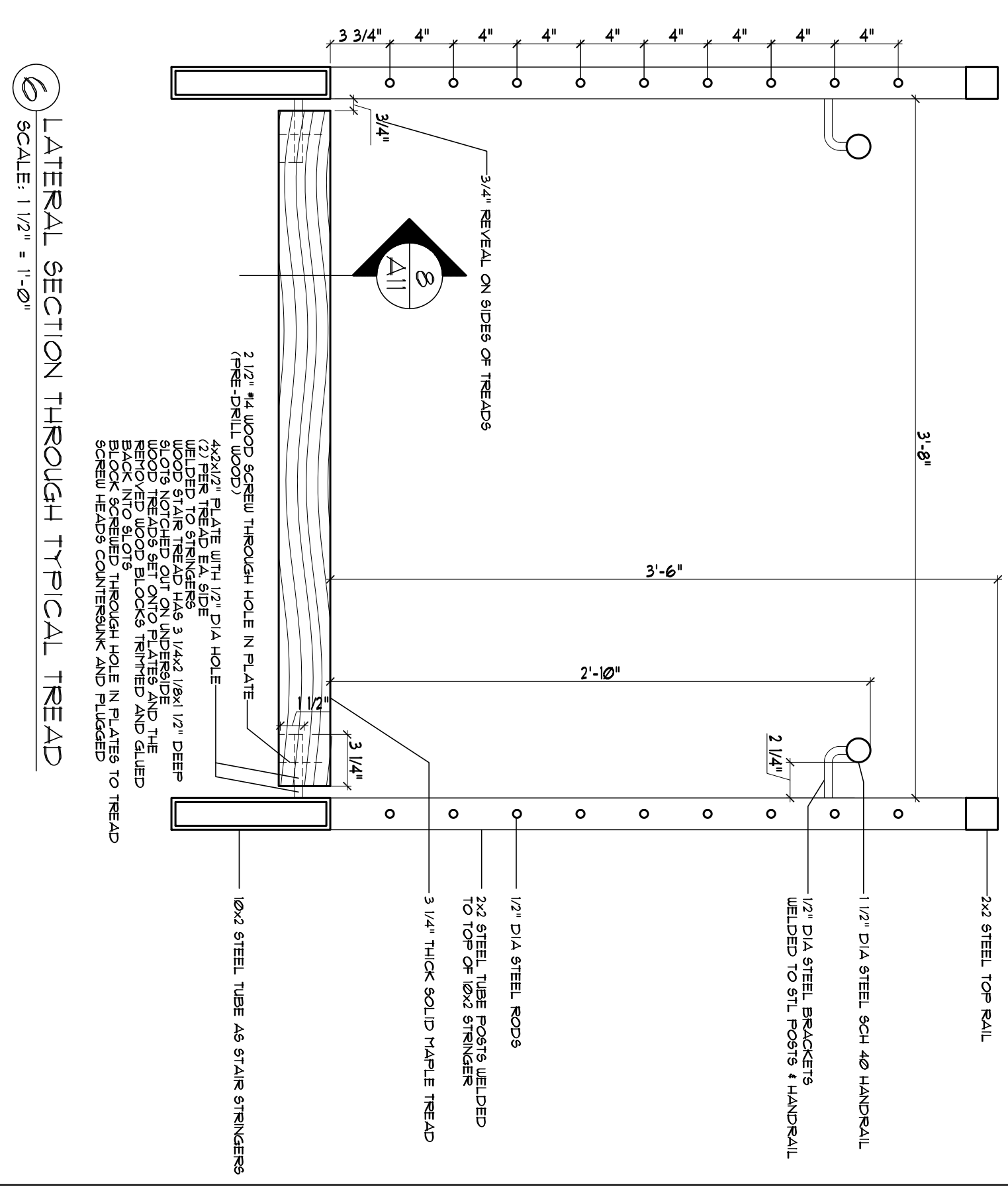


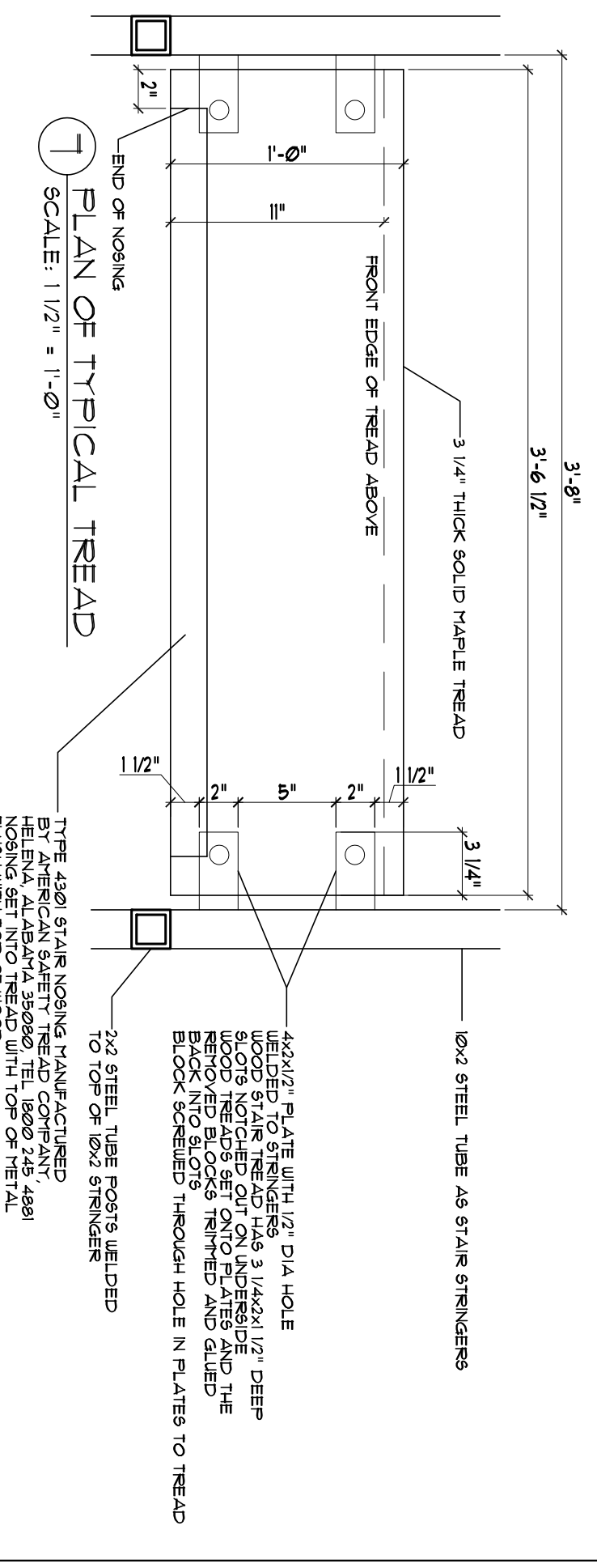
1 1ST FLOOR PLAN  
SCALE: 1/2" = 1'-0"



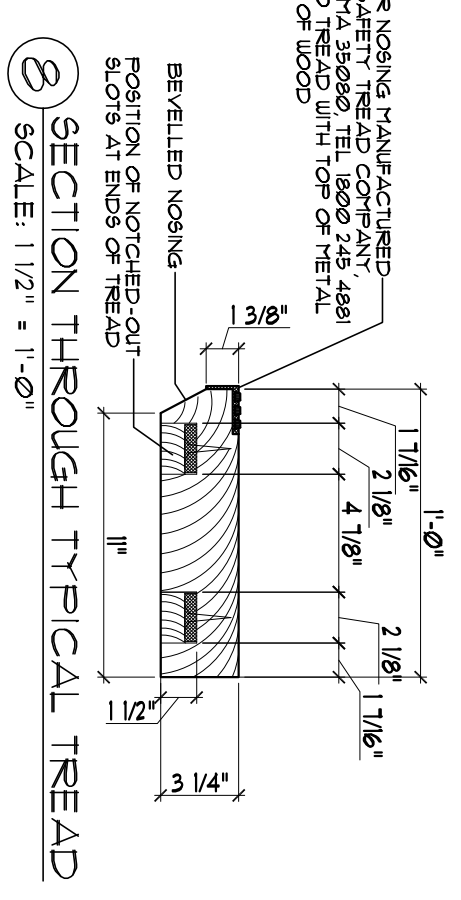
2 2ND FLOOR PLAN  
SCALE: 1/2" = 1'-0"



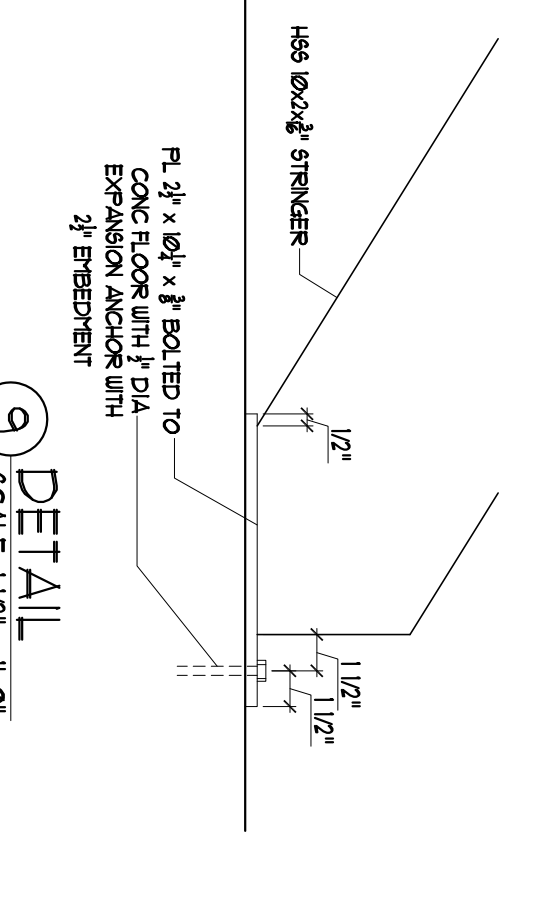
3 LATERAL SECTION THROUGH TYPICAL TREAD  
SCALE: 1 1/2" = 1'-0"



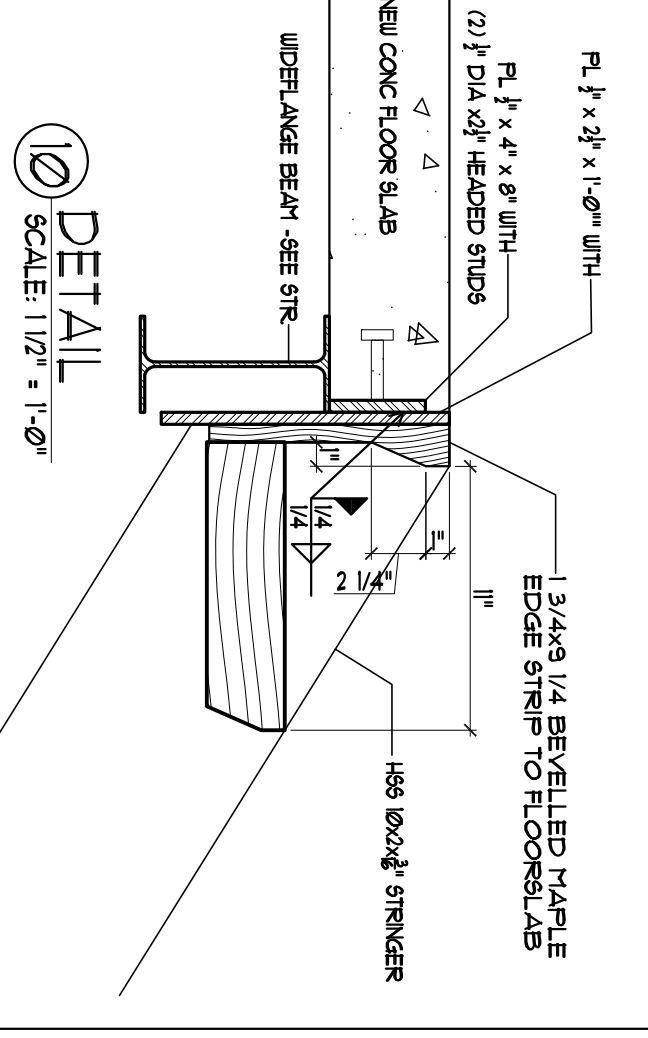
4 PLAN OF TYPICAL TREAD  
SCALE: 1 1/2" = 1'-0"



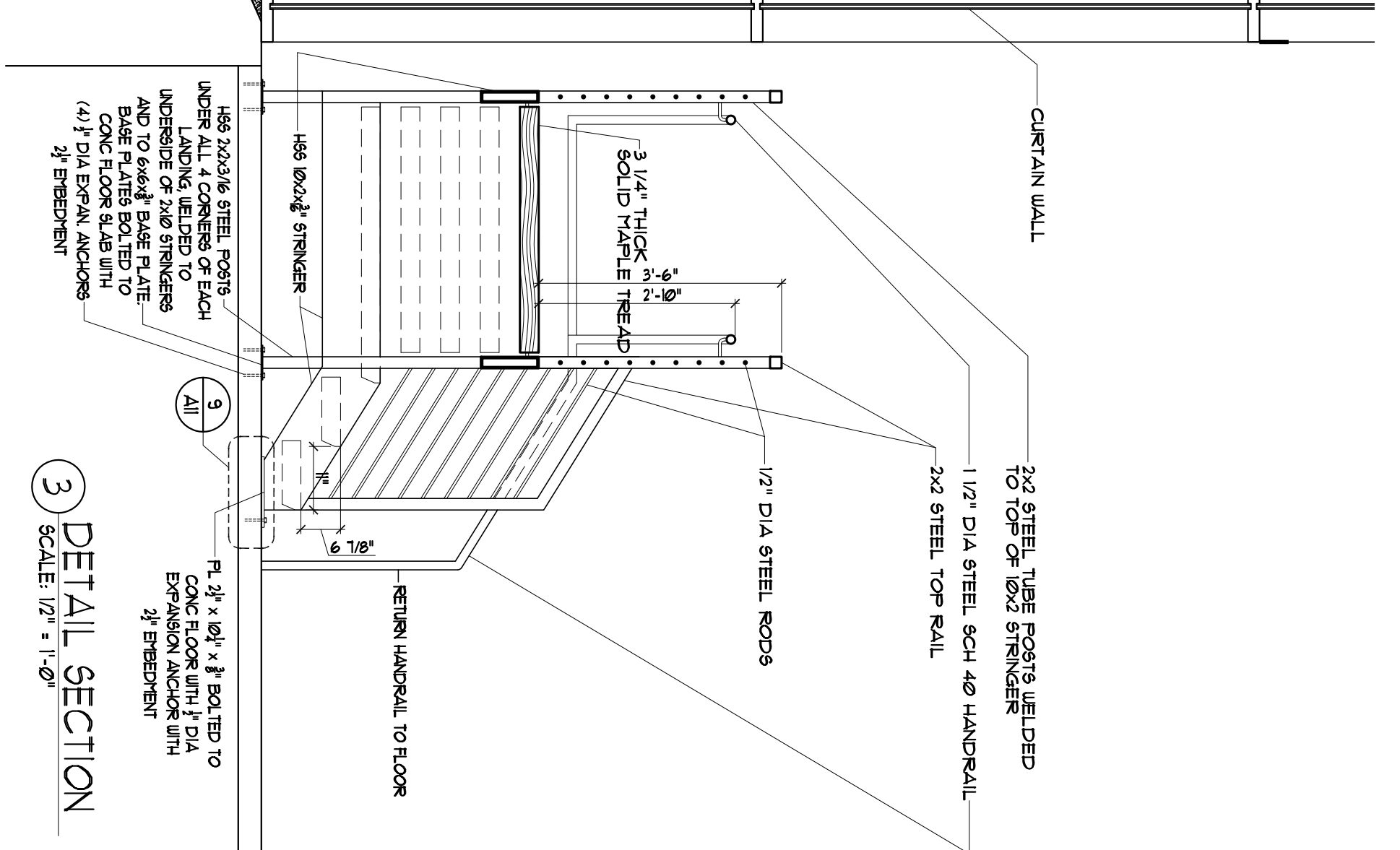
5 SECTION THROUGH TYPICAL TREAD  
SCALE: 1 1/2" = 1'-0"



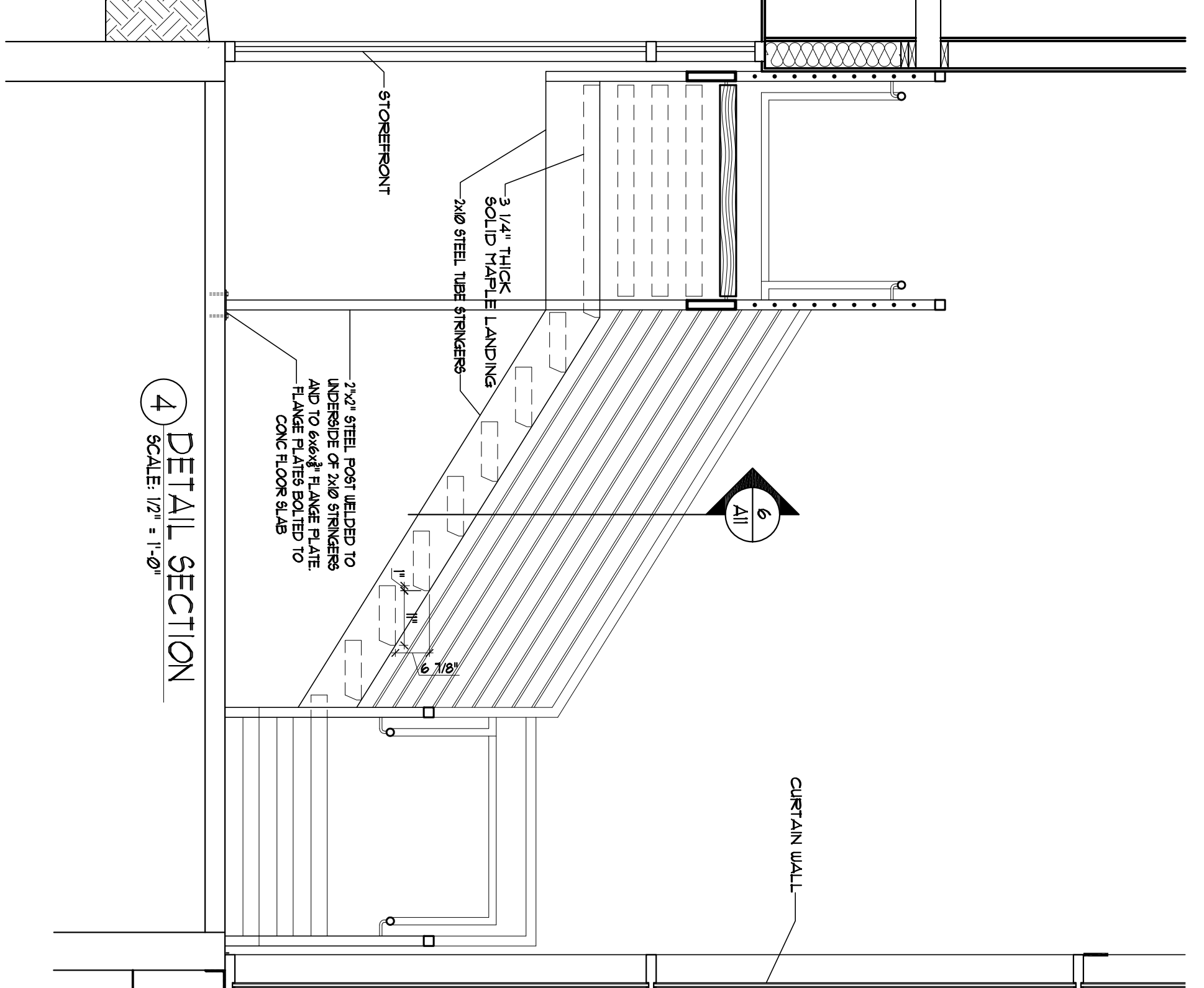
6 DETAIL  
SCALE: 1 1/2" = 1'-0"



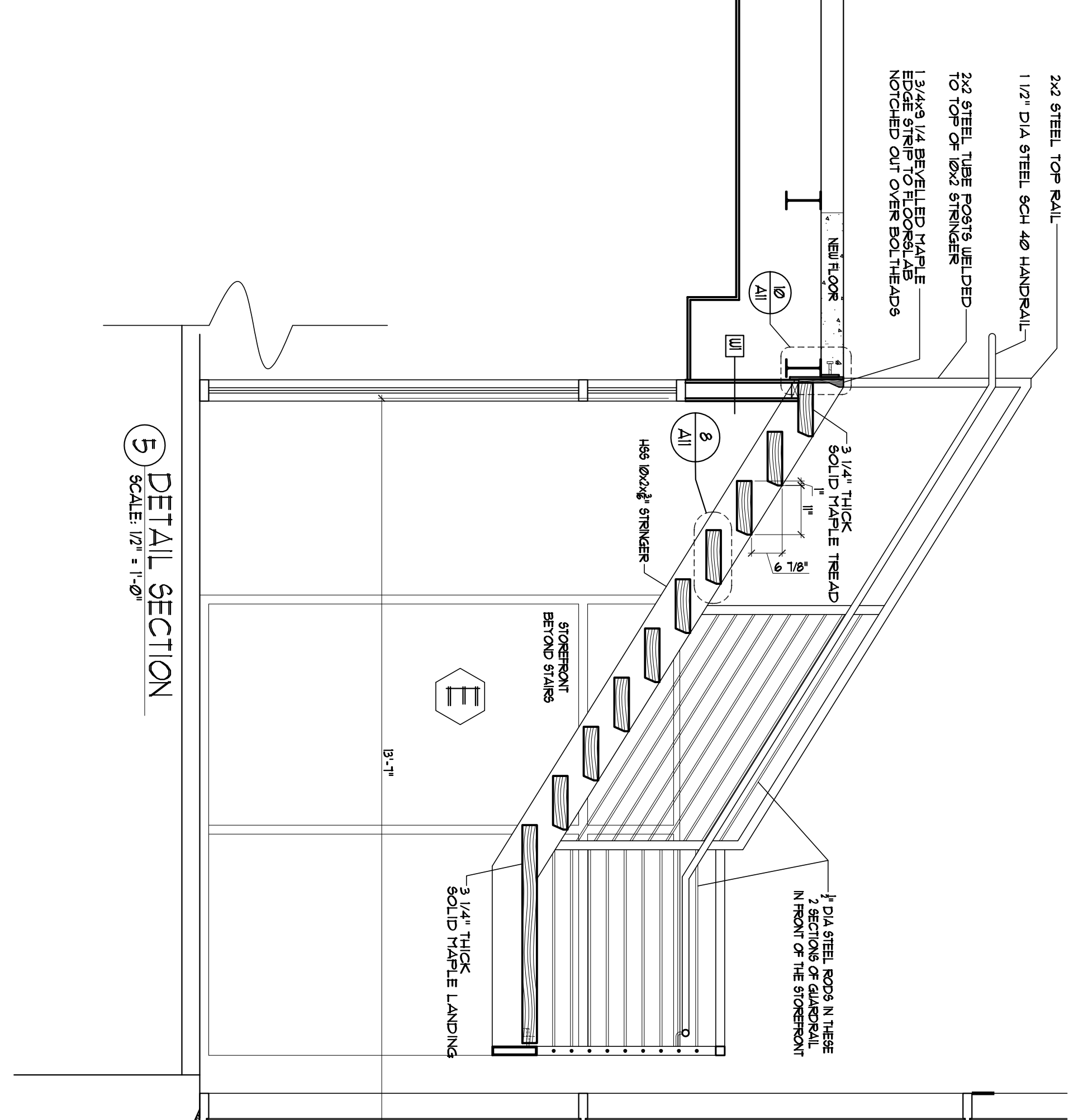
7 DETAIL  
SCALE: 1 1/2" = 1'-0"



8 DETAIL SECTION  
SCALE: 1/2" = 1'-0"



9 DETAIL SECTION  
SCALE: 1/2" = 1'-0"



10 DETAIL SECTION  
SCALE: 1/2" = 1'-0"

<h1>A11</h1>	<b>STAIR DETAILS</b>	Date 26 APRIL 2010	Scale 3/4" = 1'-0"	<b>ARCHETYPE, P.A. ARCHITECTS</b>  48 Union Wharf Portland, Maine 04101 (207) 772-6022 Fax (207) 772-4056	Prepared for:
	Project: <b>TOWN &amp; COUNTRY 426 FOREST AVENUE PORTLAND, MAINE</b>				