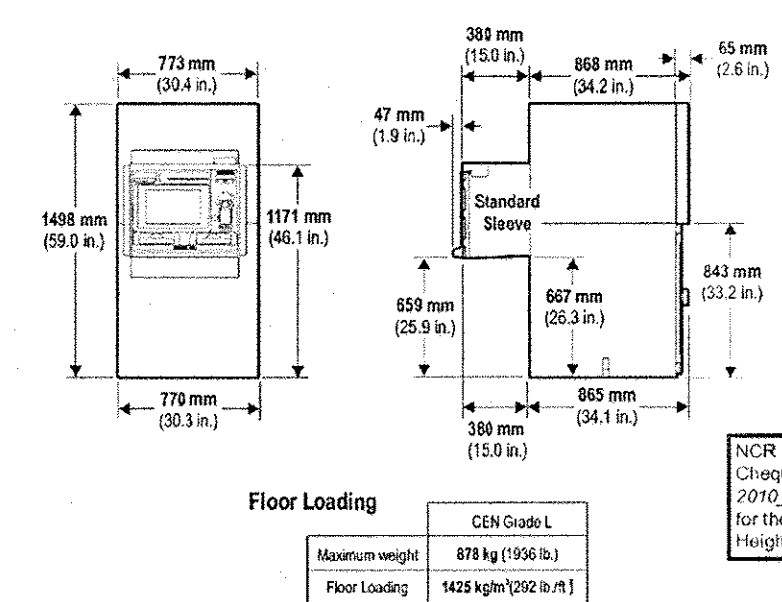


Package Dimensions

Height	1782 mm (67.8 in.)
Width	877 mm (35.5 in.)
Length	140.5 mm (5.5 in.)

Site Conditions will affect actual heights. Please reference the "Hole in the Wall Dimensions" section on page 2 of this document for more details.



ACCESS FOR ALL

Feature	Height (mm)	Depth (mm)	Clearance (mm)	Click Face Position (mm)
Statement Exit	1079 mm (42.5 in.)	267 mm (10.5 in.)	278 mm (10.9 in.)	12
Passbook Entry and Exit	1060 mm (41.7 in.)	267 mm (10.5 in.)	426 mm (16.8 in.)	11
Card Entry	940 mm (37.0 in.)	229 mm (9.0 in.)	NA	NA
Card Exit	740 mm (29.1 in.)	16 mm (0.6 in.)	144 mm (5.7 in.)	9
No. 5 Key	714 mm (27.9 in.)	42 mm (1.7 in.)	NA	NA
Audio Jack Plug	634 mm (25.0 in.)	81 mm (3.2 in.)	264 mm (10.4 in.)	2
Camera	616 mm (24.3 in.)	81 mm (3.2 in.)	NA	NA
Collection Card Reader	483 mm (19.0 in.)	66 mm (2.6 in.)	298 mm (11.7 in.)	2
Card Reader	458 mm (18.0 in.)	87 mm (3.4 in.)	355 mm (14.0 in.)	1
Height	1079 mm (42.5 in.)	117 mm (4.6 in.)	446 mm (17.6 in.)	1

POWER REQUIREMENTS
Voltage transients, line noise, surges, sags, interruptions, and outages may be experienced routinely or sporadically. When such phenomena occur, the use of protective devices may be required to ensure proper operation of the equipment.

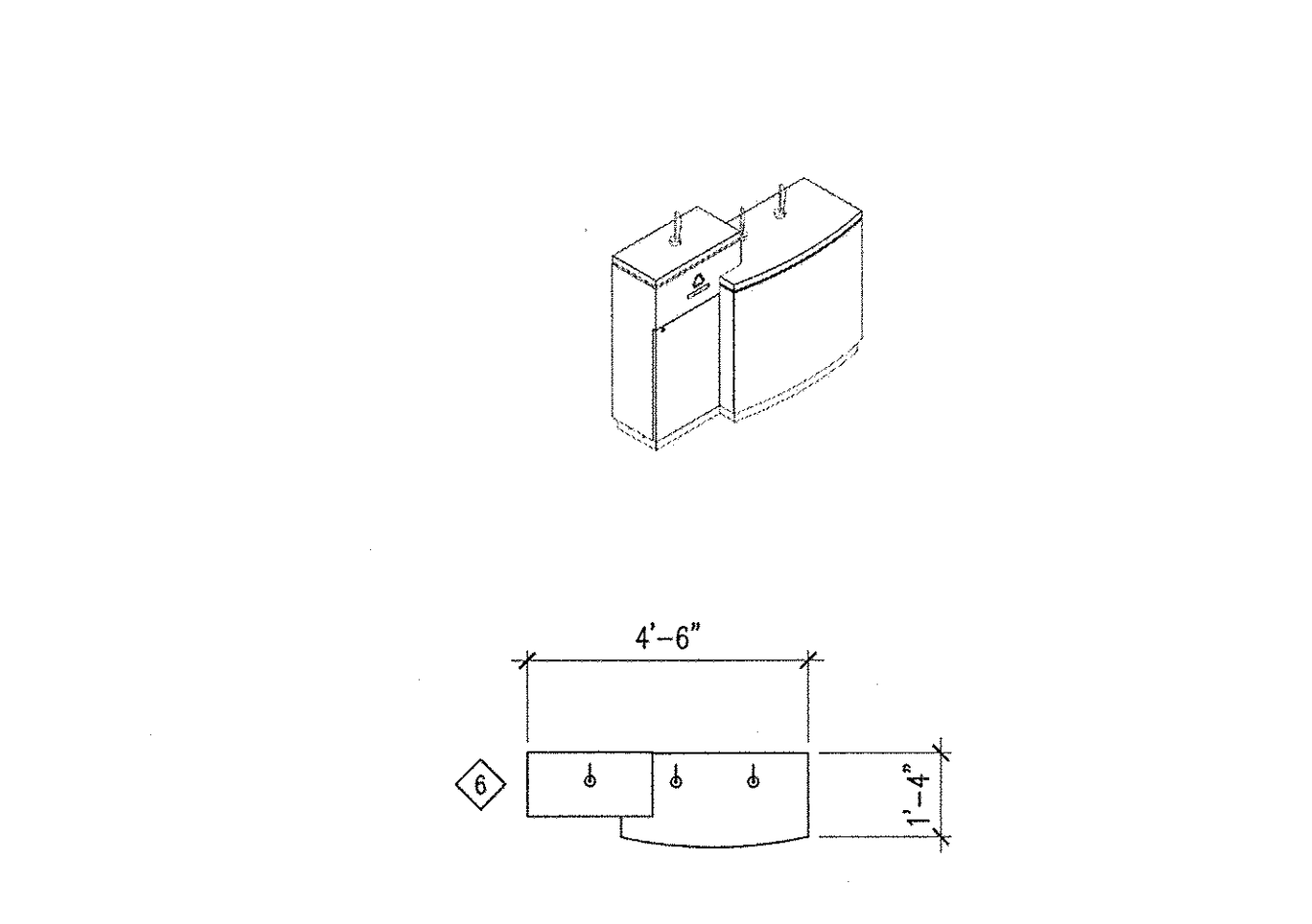
AC Power Requirements
The maximum current requirements at the stated input voltages are:
• The ATM is rated at 10A, 120V. Bank of America guidelines recommend 20A at 120V individual Branch Circuit with isolated ground, for its installations.
The maximum inrush current is 100A.

Input Voltage Setting
The ATM can operate from the following input mains voltages:
• 90V to 130V at 50/60Hz

Power Cable
The ATM is supplied as a 120V unit.
120V ATMs are supplied with a power cable fitted with a NEMA type 5-15P power source connector.
Information about suitable power connectors is supplied with the accessories.
The power cable supplied is 3 m (9.8 ft) in length. If it is necessary to increase this length to meet site requirements, then the extension must satisfy local or country regulations.

WARNING
This equipment must be grounded (earthed) and labeled for the ATM.
Ground needs to be isolated, and dedicated (not shared with another device).

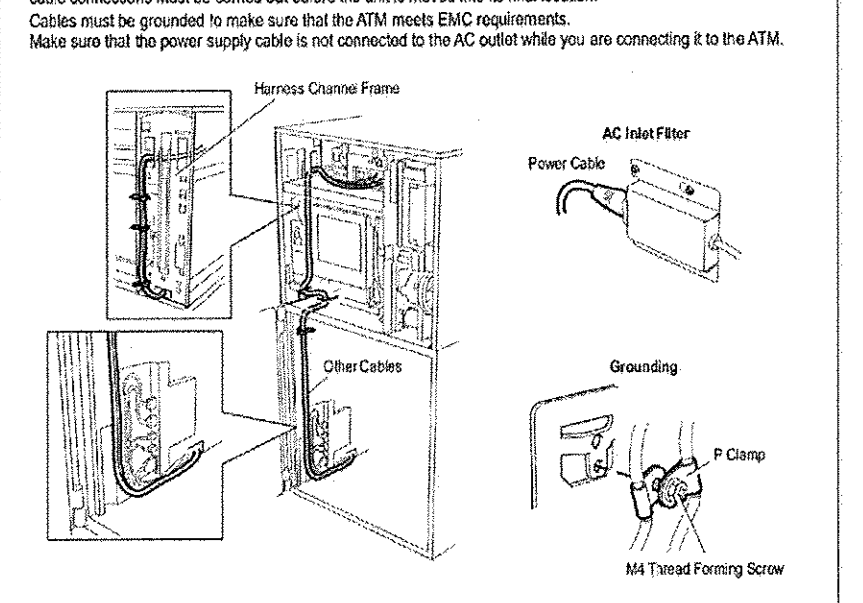
KEY NOTES



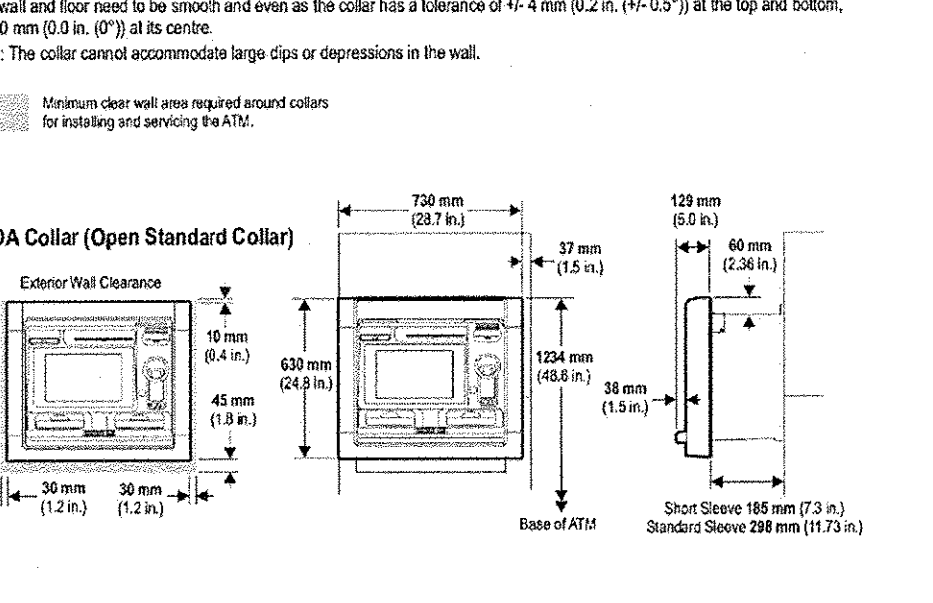
INSTALLATION CATEGORIES

- A new installation of a SelfServ 34 walk-up ATM at the 2010 US ADA Height Guidelines.
- An installation where a SelfServ 34 walk-up ATM replaces a SelfServ 34 keyboard at the 2010 US ADA Height Guidelines. The plinth must be replaced with a new one to position the SelfServ 34 keyboard at the 2010 US ADA Height Guidelines. This category also includes replacement of a SelfServ 34 keyboard at the 2010 US ADA Height Guidelines.
- A new installation of a SelfServ 34 walk-up ATM at the Standard height. This height does not comply with the requirements of the 2010 US ADA Height Guidelines.
- An installation where a SelfServ 34 walk-up ATM replaces a SelfServ 34 keyboard at the Standard height. This height does not comply with the requirements of the 2010 US ADA Height Guidelines. The plinth must be replaced with a new one to position the SelfServ 34 keyboard at the optimum height.

CONNECTING THE CABLES



COLLAR DIMENSIONS AND CLEARANCE

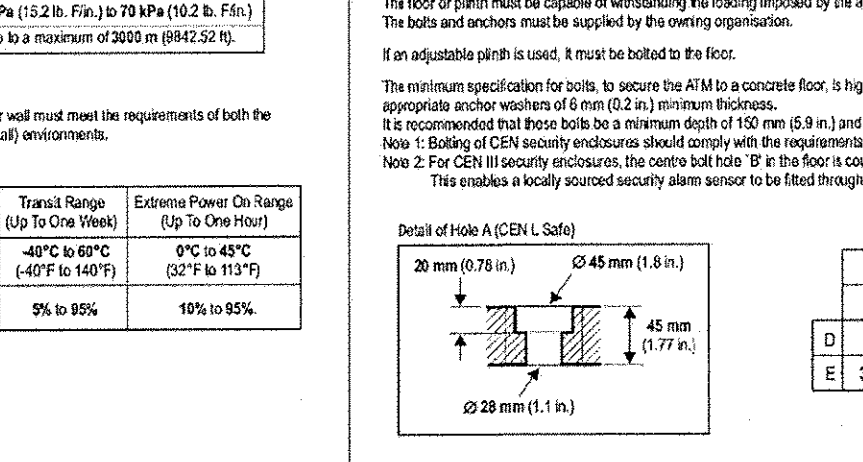


ENVIRONMENTAL REQUIREMENTS

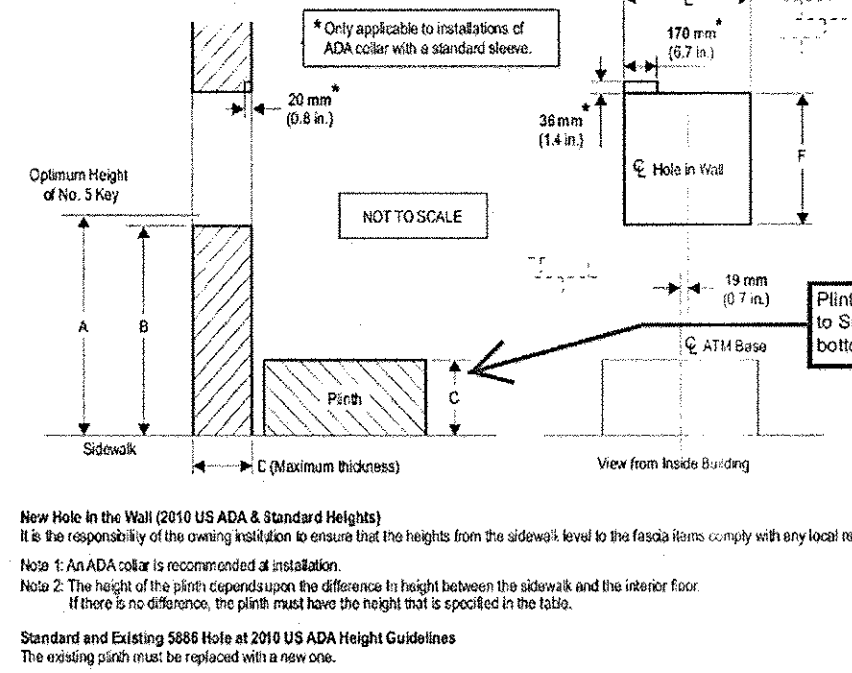
Temperature and Humidity

Parameter	Normal Operating Range	Storage Range	Transport Range	Extreme Power On Range
Temperature (dry bulb)	0°C to 40°C (32°F to 104°F) See Note 1.	-30°C to 50°C (-22°F to 122°F) See Note 2.	-30°C to 50°C (-22°F to 122°F) See Note 2.	0°C to 40°C (32°F to 104°F) See Note 3.
Relative humidity	20% to 90% See Note 2.	10% to 100% See Note 2.	10% to 100% See Note 2.	10% to 100% See Note 2.
Dew point temperature restriction	24°C (75°F) max.	24°C (75°F) max.	24°C (75°F) max.	24°C (75°F) max.

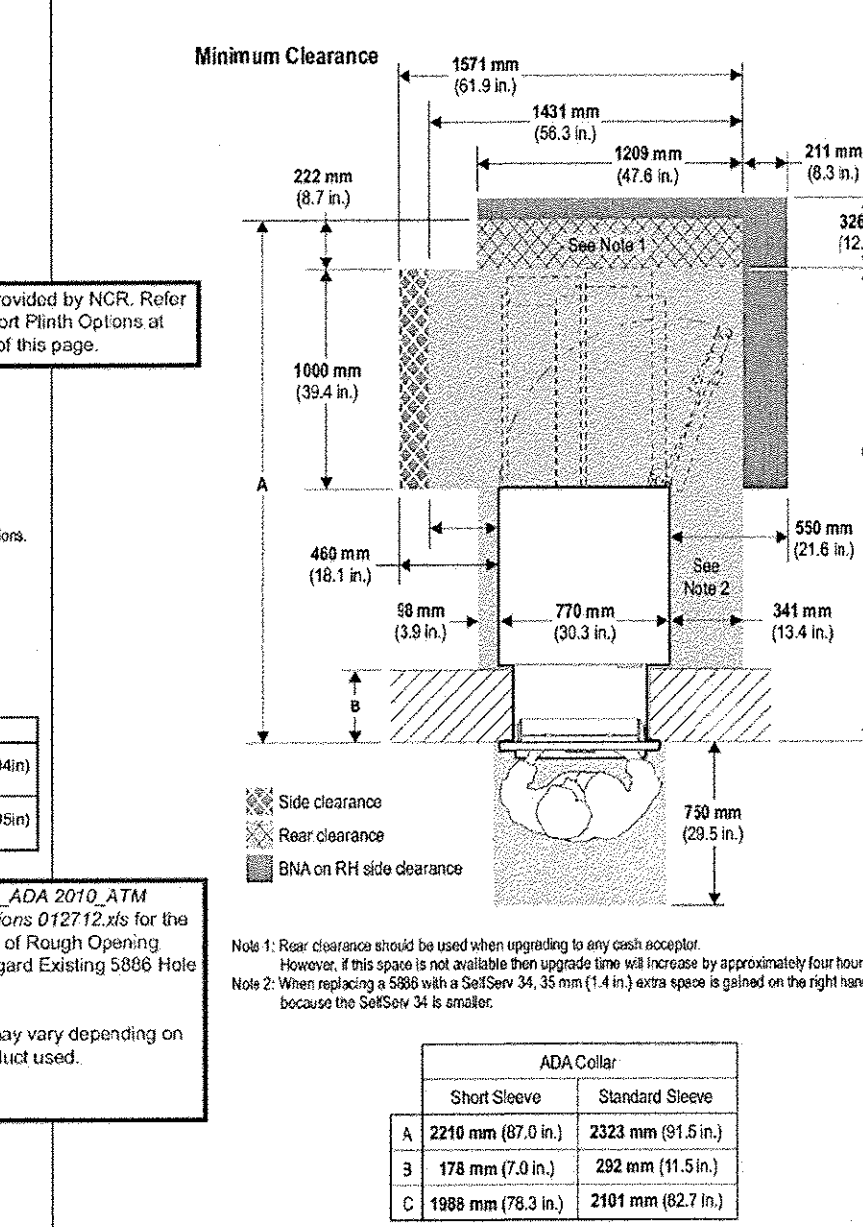
BOLT HOLE LOCATIONS



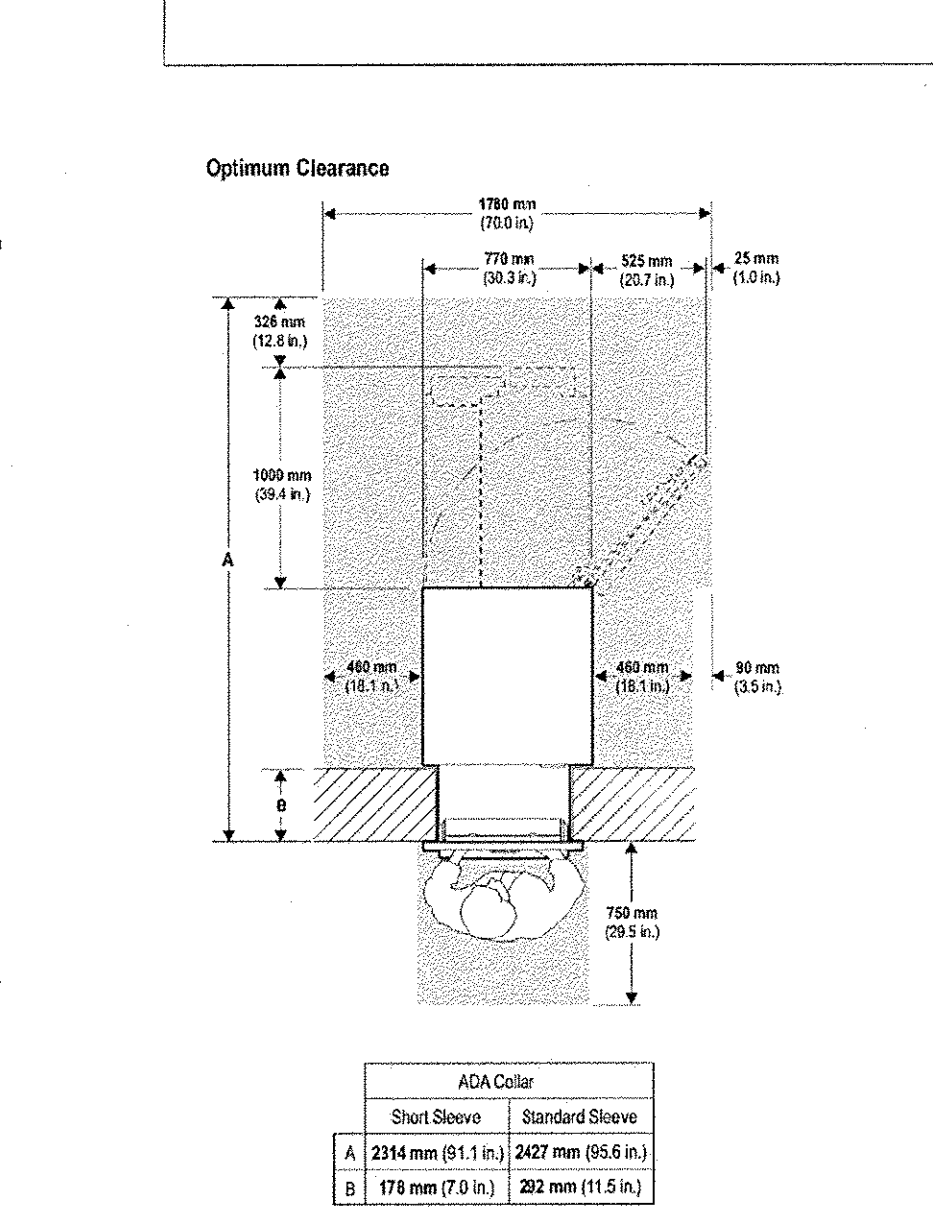
HOLE IN THE WALL DIMENSIONS



SERVICE CLEARANCES (Typical LH BNA + RH Disp Config)

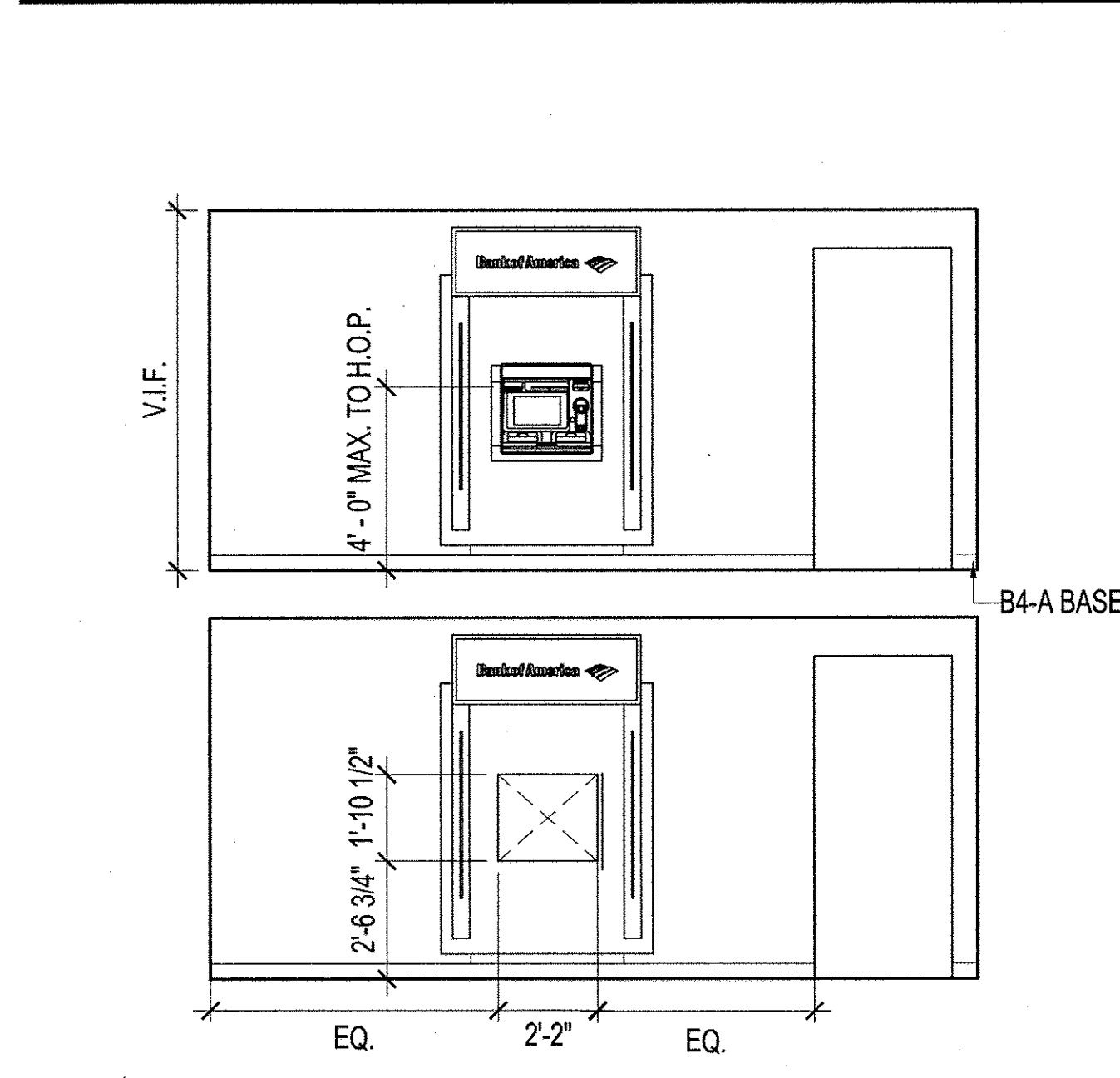


ATM WALL ELEVATIONS



CHECK DESKS

SCALE: N.T.S. **1**



ATM WALL ELEVATIONS

SCALE: 1/8" = 1'-0" **2**

SHEET NOTES

- GC SHALL PROVIDE ALL WORK RELATED TO ENGINEERING TO INCLUDE, BUT NOT LIMITED TO: STRUCTURAL, CIVIL, MECHANICAL, ELECTRICAL, FIRE PROTECTION & LIFE SAFETY. GC SHALL PROVIDE DESIGN DRAWINGS, PERMITS & INSTALLATION OF SYSTEMS ON A DESIGN BUILD BASIS

2010 US ADA Height Installations

Plinth Option	Height Ranges
7548-#366-V001	Variable height - 100mm (3.94in) to 207mm (7.85in)
7548-#366-V001	Variable height - 207mm (7.85in) to 305mm (11.98in)

ADA Collar

ADA Collar	Short Sleeve	Standard Sleeve
A	2216 mm (87.0 in.)	2323 mm (91.5 in.)
B	178 mm (7.0 in.)	292 mm (11.5 in.)
C	1088 mm (78.3 in.)	2101 mm (82.7 in.)

Bank of America ATM Installation

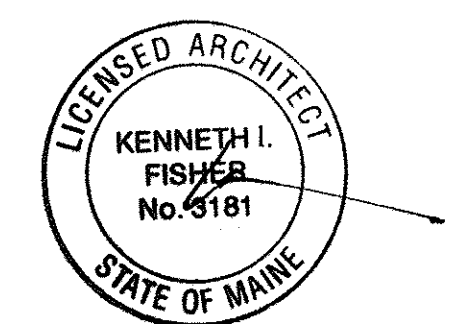
500 Forest Avenue
Portland, ME 04101

One Beacon Street
3rd Floor
Boston, MA 02108
Telephone 617.619.5700
Facsimile 617.619.5701

Gensler

Issue	Date	Issue Description	By	Check
1	06/03/2015	ISSUED FOR BID AND PERMIT	DG	JR

Seal/Signature

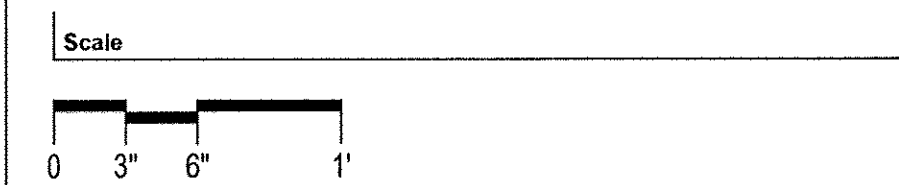


Project Name
BANK OF AMERICA
ATM INSTALLATION

Project Number
11.6563.084

CAD File Name
A12-01

Description
NCR DETAILS



A12.01

©2015 Gensler

SUR-WING SURROUND

SCALE: N.T.S. **3**