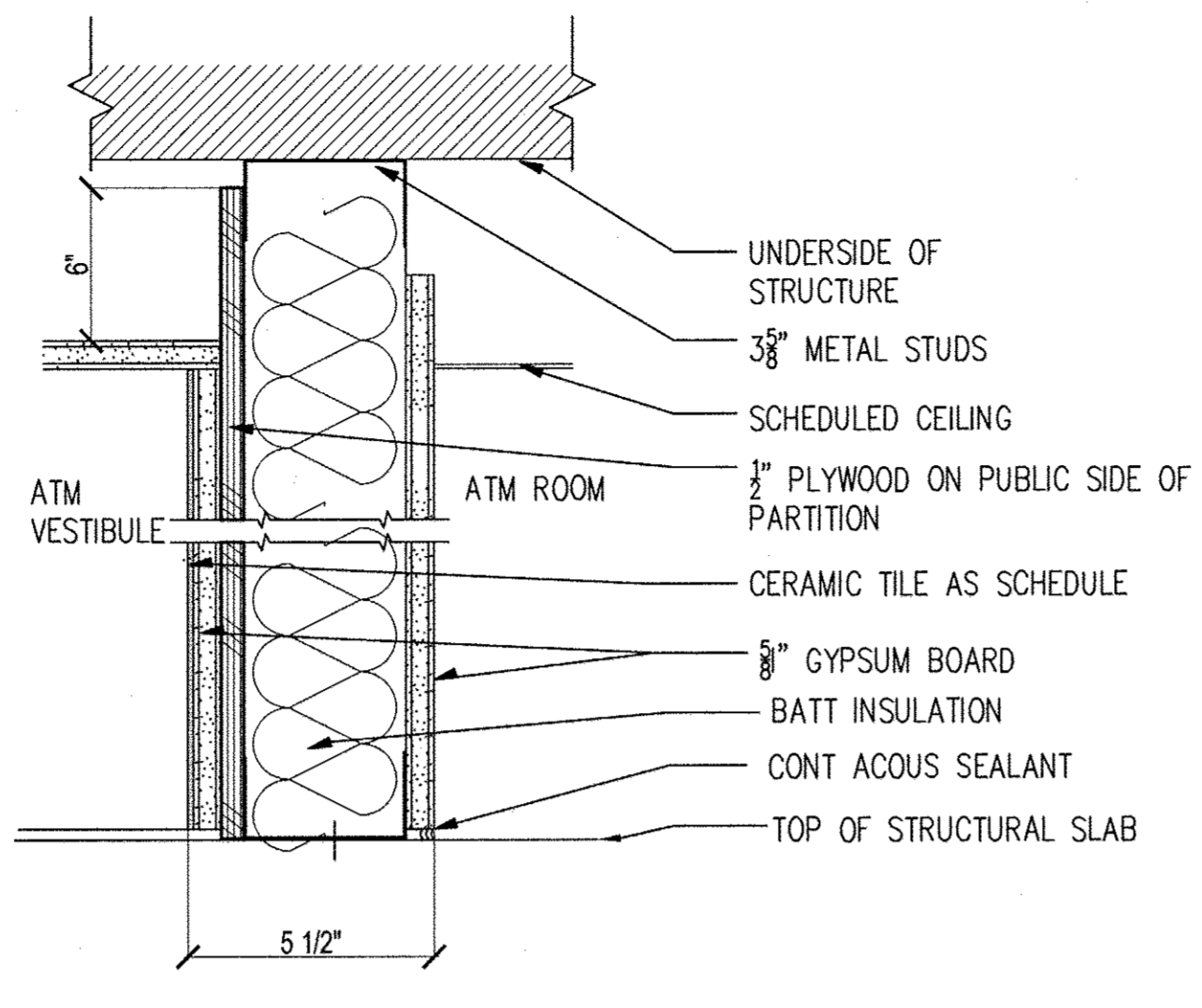
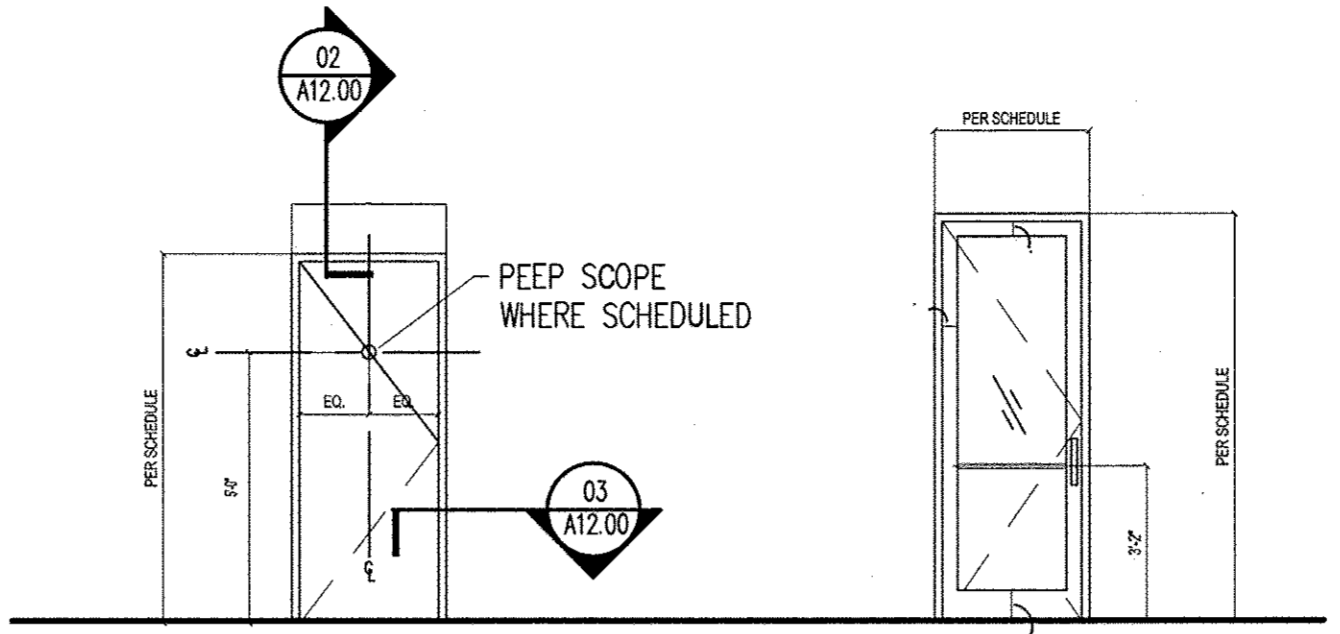


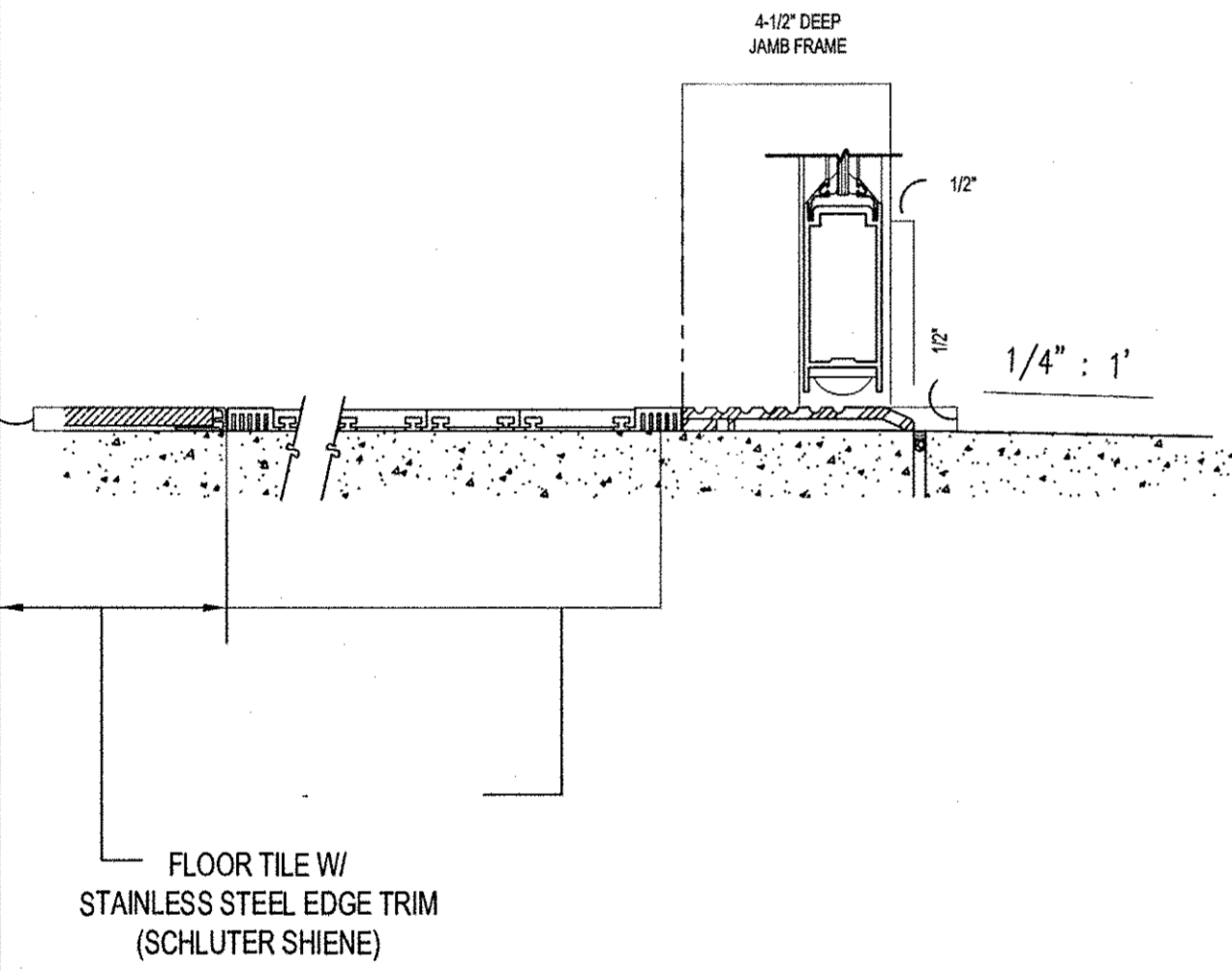
PLAN @ TILE WALK OFF MAT TRANS. 8
SCALE: 3" = 1'-0"



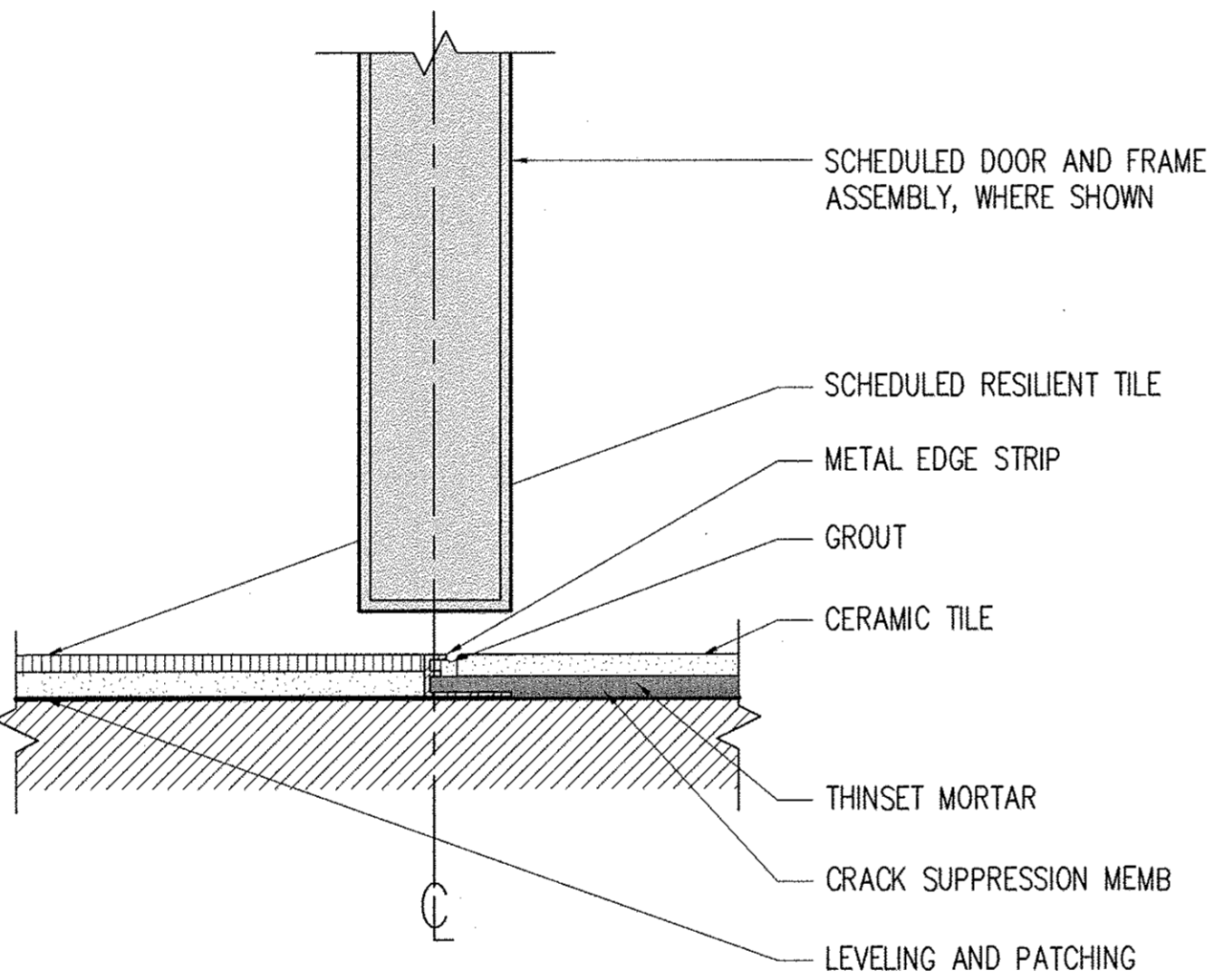
PARTITION TYPE D 4
SCALE: N.T.S.



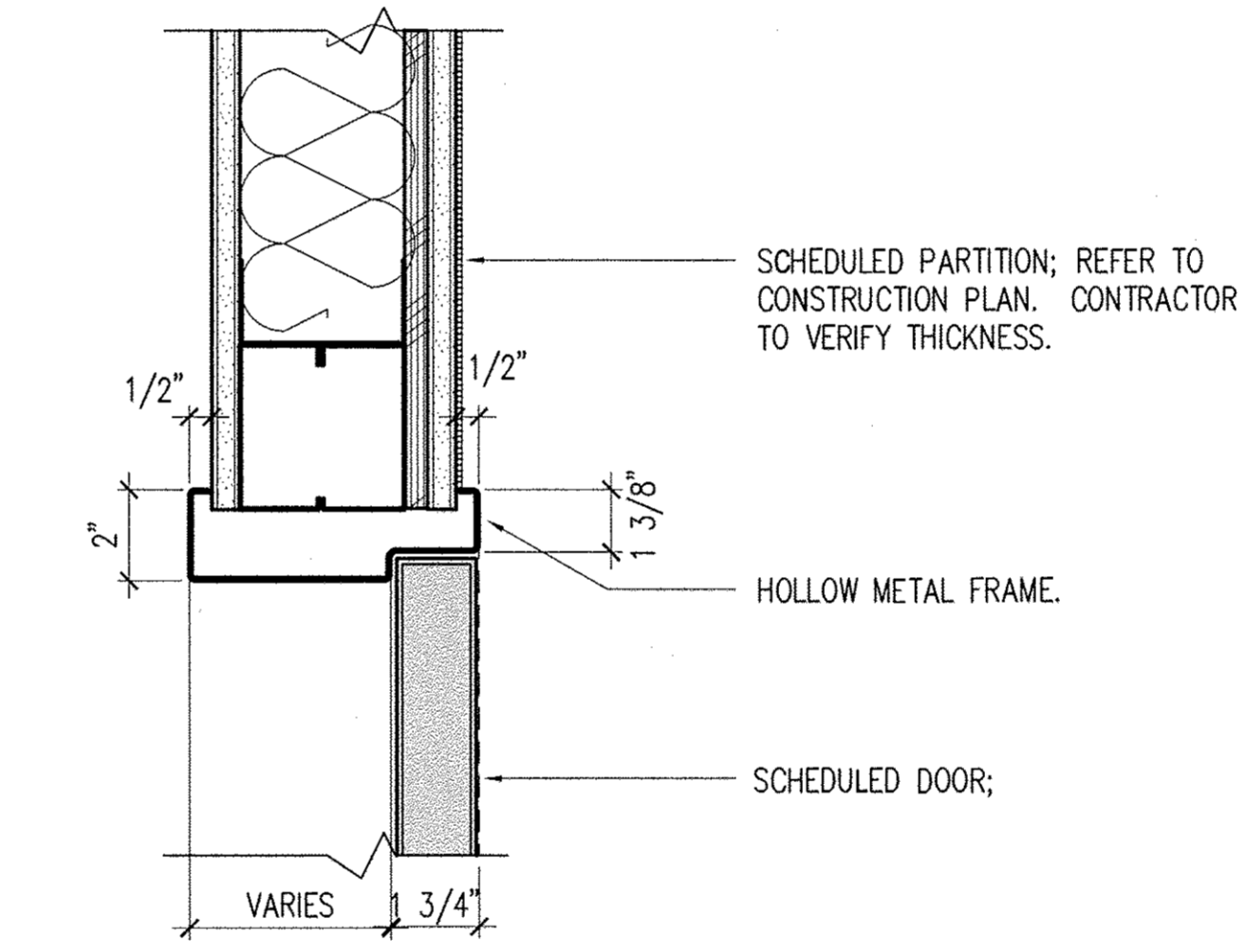
DOOR TYPES 1
SCALE: N.T.S.



DETAIL @ TILE WALK OFF MAT TRANS. 8
SCALE: 3" = 1'-0"



FLOOR TRANSITION 5
SCALE: 6" = 1'-0"



HOLLOW METAL FRAME - HEAD DETAIL 2
SCALE: 3" = 1'-0" DT_DW_000265

HARDWARE SET No. 10

3 EA HINGE	BB1279 4.5 X 4.5	26 D	HAG
1 EA STOREROOM LOCK	ND40 S SPA	262	SCH
1 EA WALL STOP	WS407CCV	630	IVE
3 EA SILENCER	SR64	GRY	IVE
1 SURFACE CLOSER	4011 EDA	689	LCN
1 EA SFIC EV B CORE ONLY	80-037	626	SCH
1 DOOR SCOPE	DS/2000-ALS	AL	MIS

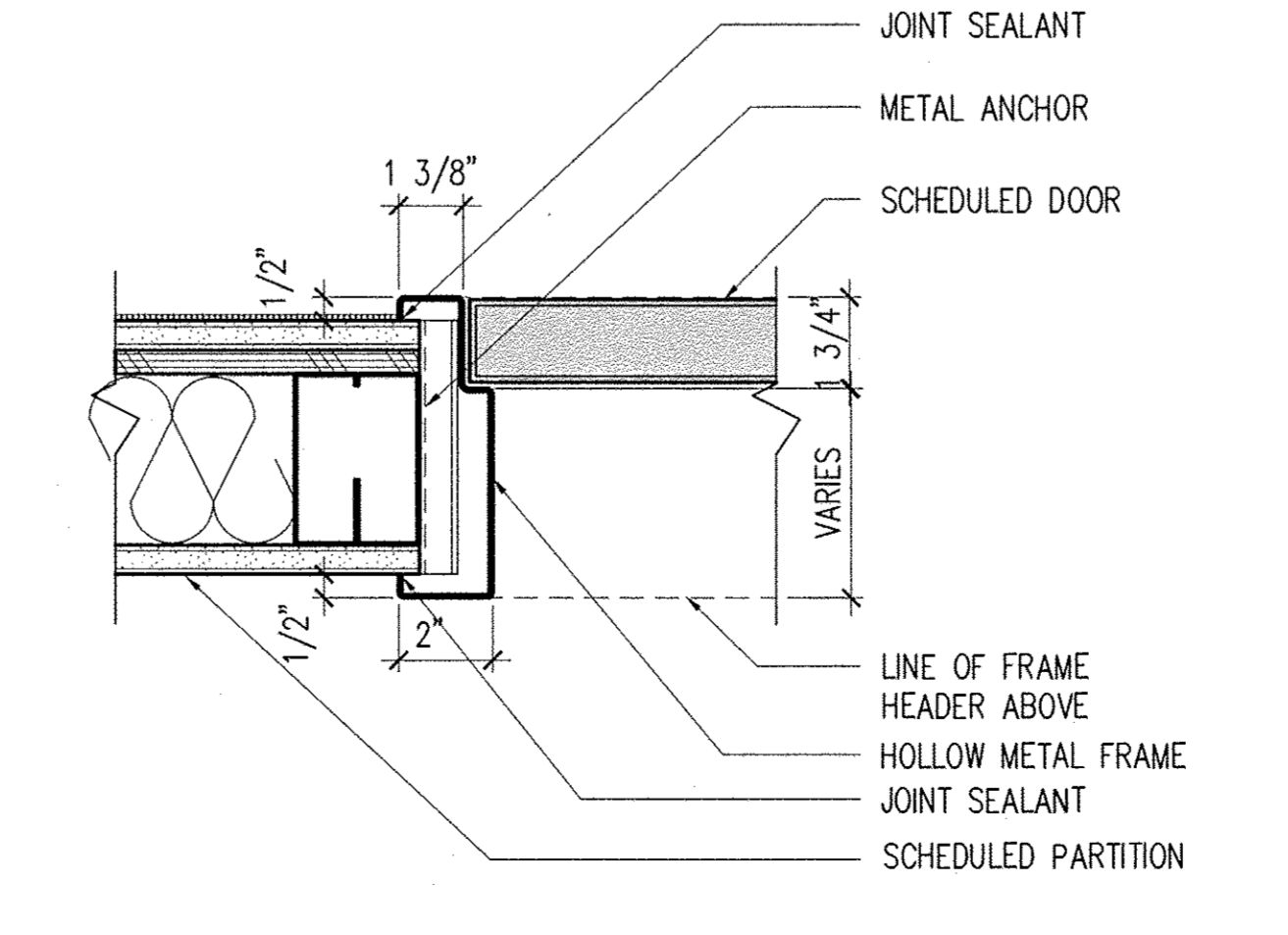
HARDWARE SET No. 1A

4 EA HINGE	BB1279 4.5 X 4.5	26D	HAG
1 EA PANIC HARDWARE	CD98NL-OP	626	VON
1 EA MORTISE CYLINDER	80-132 XQ11-948	626	SCH
1 EA RIM CYL/ CONST CORE	80-159	626	SCH
2 EA SFIC EV B CORE ONLY	80-159	626	SCH
1 EA ADA PULL	8103EZ-0	630	IVE
1 EA SURFACE CLOSER	411 SCUSH	689	LCN
1 EA CUSH SHOE SUPPORT	4110-30	689	LCN
1 EA BLADE STOP SPACER	4110-61	689	LCN
1 EA MOUNTING PLATE	4110-18	689	LCN
1 EA THRESHOLD	325	AL	NPG
1 WEATHERSTRIPPING	BY DOOR MANUFACTURER		
1 EA CARD READER	BY SECURITY CONTRACTOR		

HARDWARE SCHEDULE 6
SCALE: N.T.S.

ASSEMBLY	DOOR	FRAME	ASSEMBLY RATING			HARDWARE GROUP	REMARKS										
			FIRE RATING	TEMP RISE	SMOKE LABEL												
NR	LOCATION	TYPE	DIMENSIONS			MATERIAL	FINISH	MATERIAL	FINISH	DETAILS			FIRE RATING	TEMP RISE	SMOKE LABEL	HARDWARE GROUP	REMARKS
			WIDTH	HEIGHT	THICKNESS					HEAD	JAMB	SILL					
100	VESTIB.	G	3'-4"	7'-0"	2"	AL/GL	MATCH EXIST.	AL	MATCH EXIST.	1/A11.01	5/A11.01	-	-	-	-	AL-1A	
101	ATM ROOM	A	3'-0"	7'-0"	1 3/4"	WOOD	MATCH EXIST.	HOLLOW METAL	MATCH EXIST.	2/A12.00	3/A12.00	5/A12.00	-	-	-	10	

DOOR, FRAME AND HARDWARE GROUP SCHEDULE 7
SCALE: N.T.S.



HOLLOW METAL FRAME - JAMB DETAIL 3
SCALE: 3" = 1'-0" DE_DW_000266

KEY NOTES

Bank of America ATM Installation

500 Forest Avenue
Portland, ME 04101

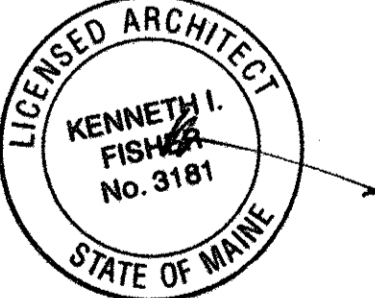
One Beacon Street
3rd Floor
Boston, MA 02108
Telephone 617.619.5700
Facsimile 617.619.5701

Gensler

Issue	Date & Issue Description	By	Check
1	06/03/2015 ISSUED FOR BID AND PERMIT	DG/CV	JR

SHEET NOTES

1. GC SHALL PROVIDE ALL WORK RELATED TO ENGINEERING TO INCLUDE, BUT NOT LIMITED TO: STRUCTURAL, CIVIL, MECHANICAL, ELECTRICAL, FIRE PROTECTION & LIFE SAFETY. GC SHALL PROVIDE DESIGN DRAWINGS, PERMITS & INSTALLATION OF SYSTEMS ON A DESIGN BUILD BASIS

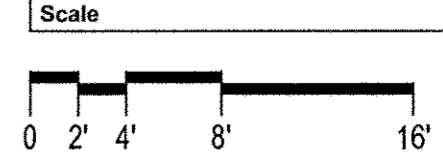


Project Name
BANK OF AMERICA
ATM INSTALLATION

Project Number
11.6563.084

CAD File Name
A12-00

Description
TYPICAL DETAILS



A12.00