

KEY NOTES

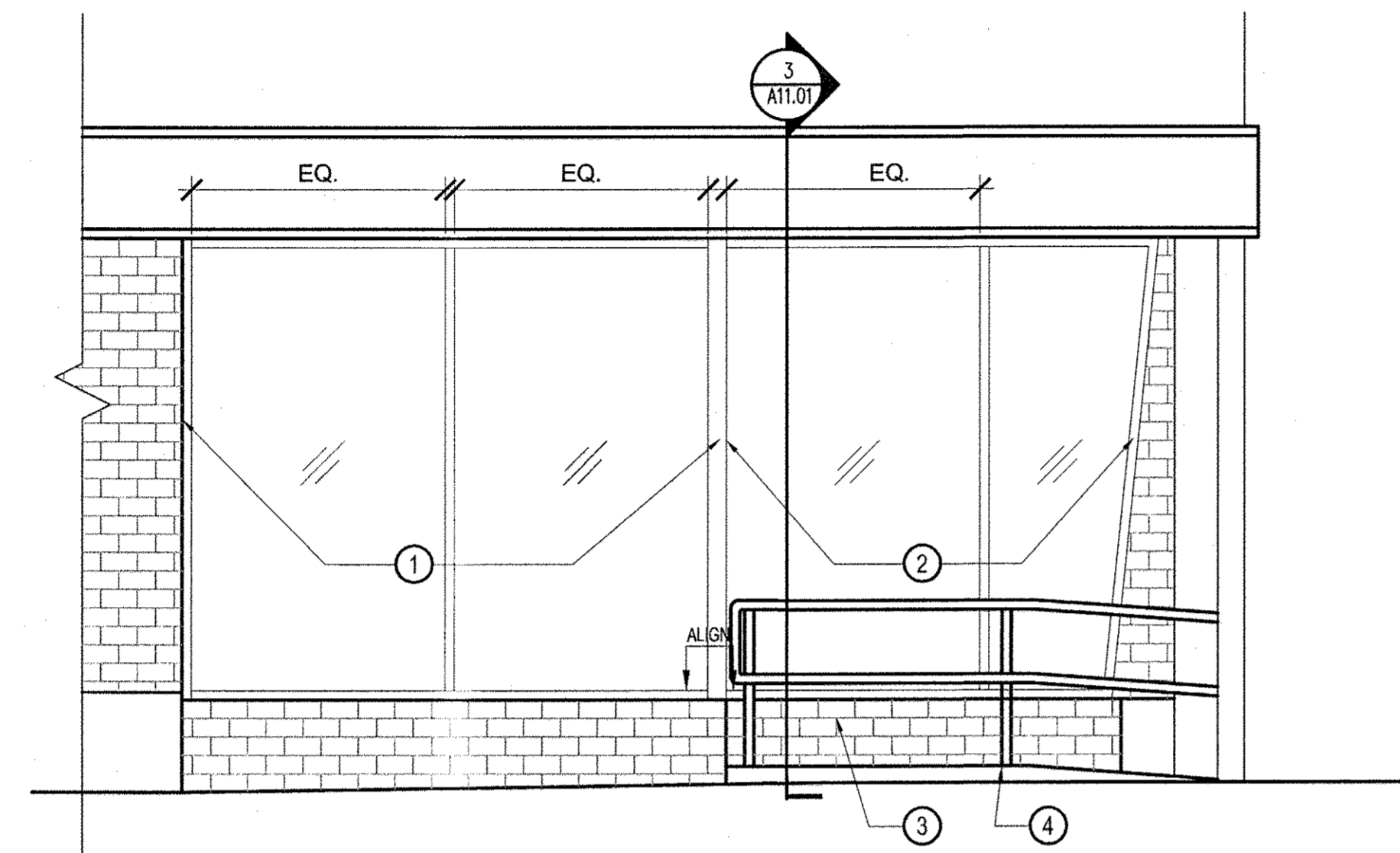
- ① NEW ALUMINUM STOREFRONT. MATCH EXISTING STOREFRONT 'SLOPPED' INSTALLATION AND FINISHES.
- ② NEW ALUMINUM STOREFRONT. MATCH EXISTING FINISHES.
- ③ NEW KNEE WALL. MATCH EXISTING FINISHES. REFER TO STRUCTURAL DRAWINGS.
- ④ NEW COMPLIANT APPROACH AND HANDRAIL. REFER TO CIVIL ENGINEERING DRAWINGS.

**Bank of America
ATM Installation**

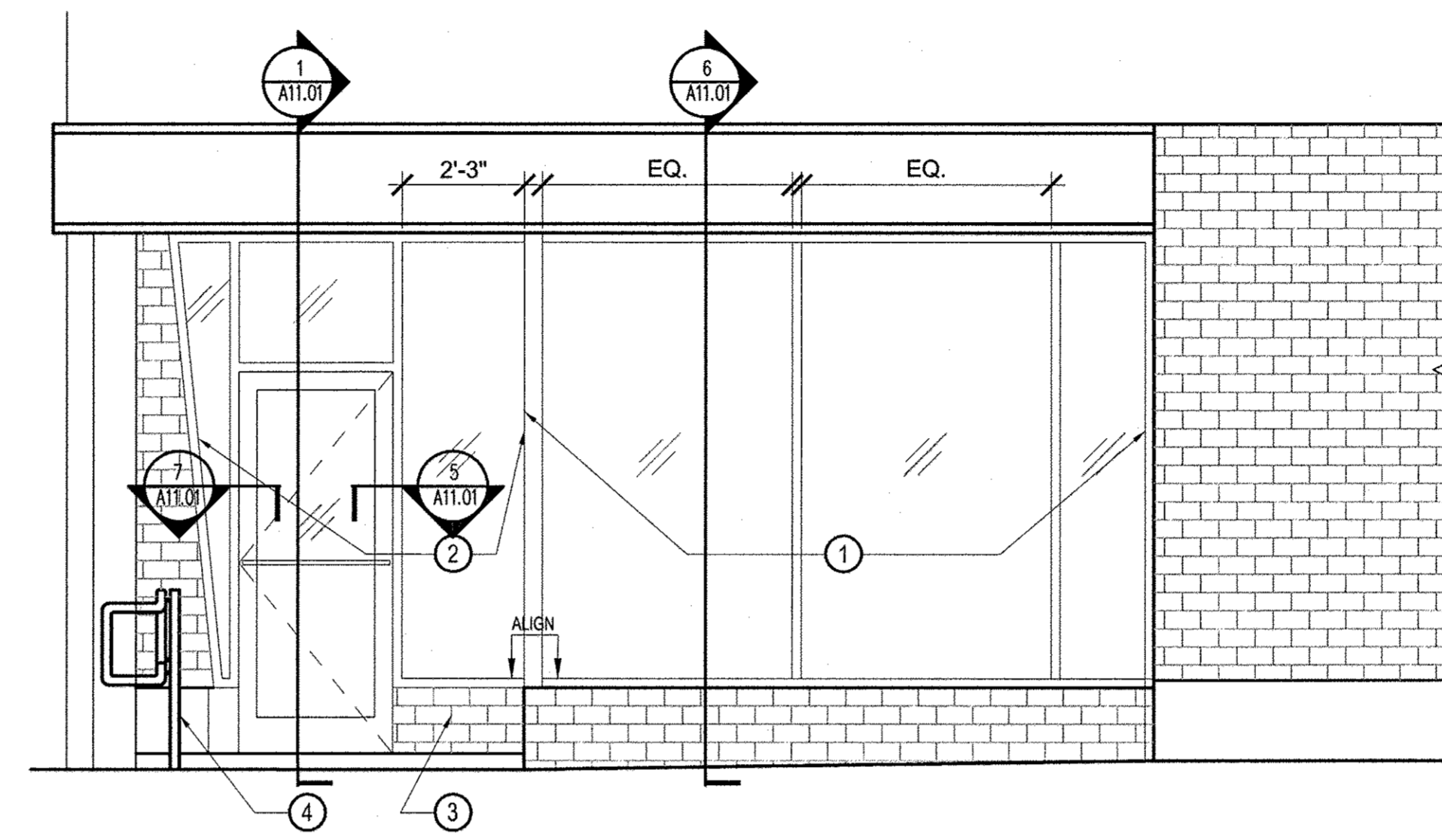
500 Forest Avenue
Portland, ME 04101

One Beacon Street
3rd Floor
Boston, MA 02108
Telephone 617.619.5700
Facsimile 617.619.5701

Gensler



FOREST AVENUE

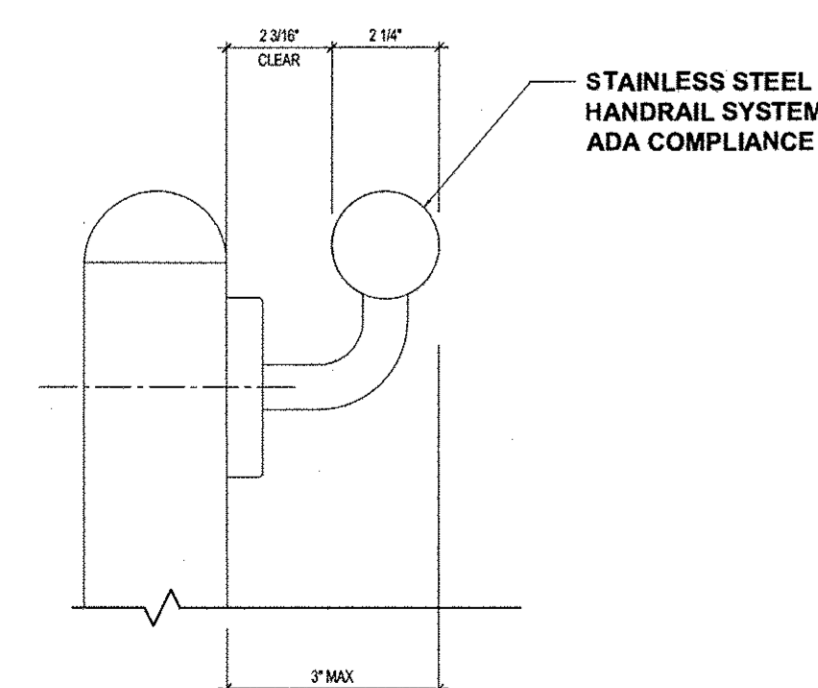


NOYES STREET

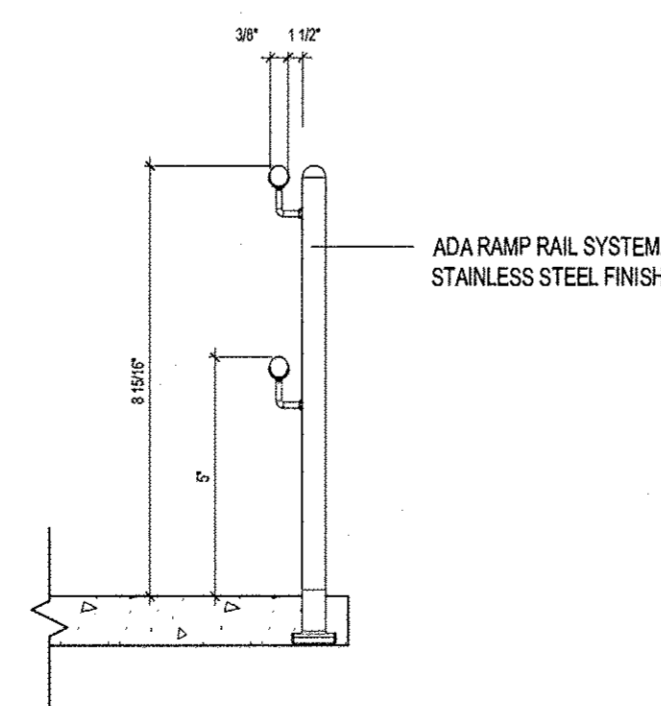
NEW STOREFRONT
SCALE: N.T.S.

1 SHEET NOTES

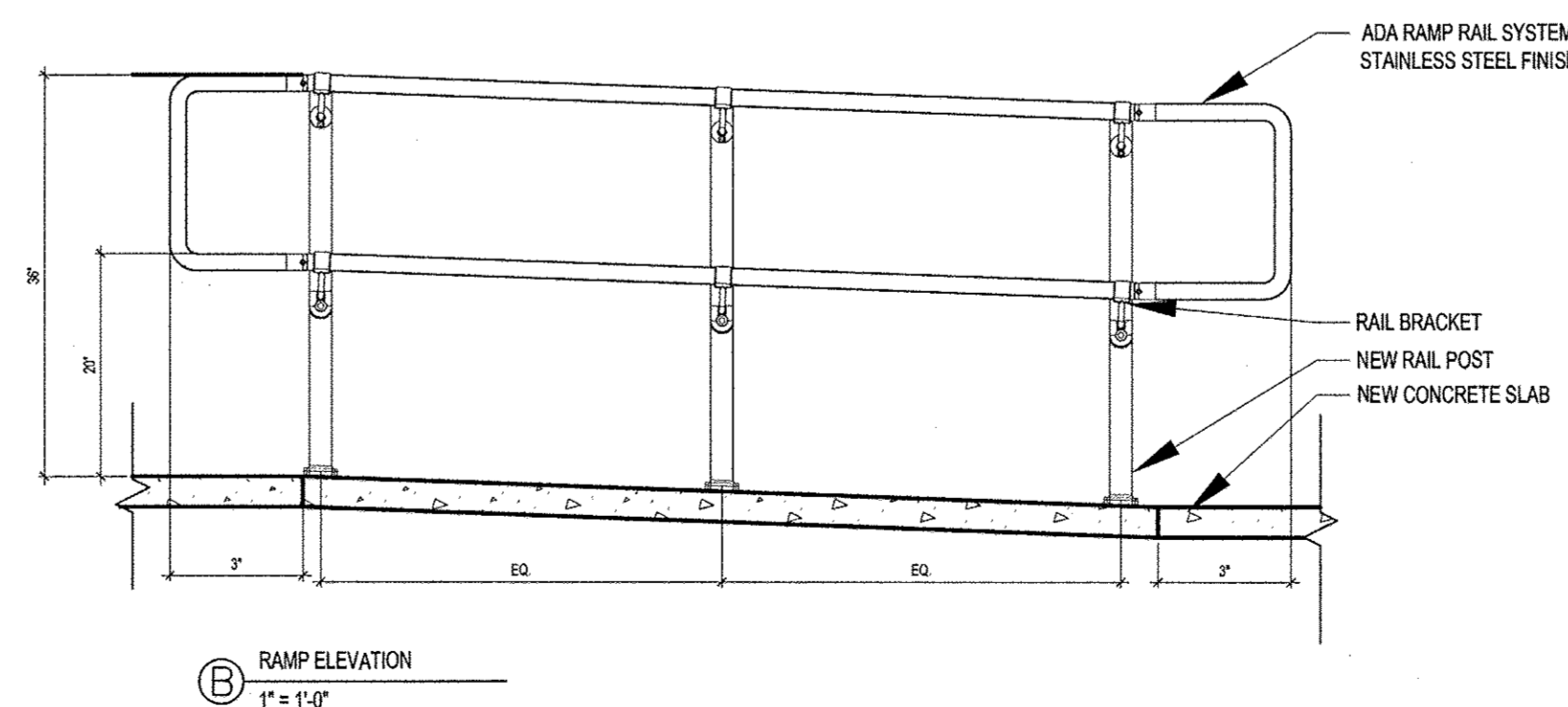
1. GC SHALL PROVIDE ALL WORK RELATED TO ENGINEERING TO INCLUDE, BUT NOT LIMITED TO: STRUCTURAL, CIVIL, MECHANICAL, ELECTRICAL, FIRE PROTECTION & LIFE SAFETY. GC SHALL PROVIDE DESIGN DRAWINGS, PERMITS & INSTALLATION OF SYSTEMS ON A DESIGN BUILD BASIS



HAND RAIL SECTION
SCALE: 6"=1'-0"



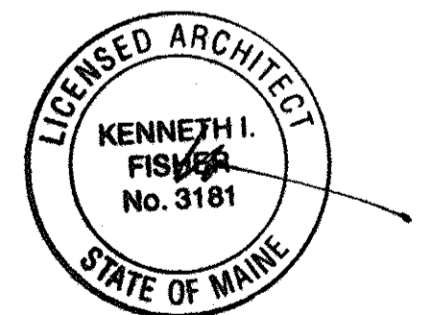
1 HAND RAIL SYSTEM DETAIL
SCALE: 1"=1'-0"



1

Issue	Date & Issue Description	By	Check
1	06/03/2015 ISSUED FOR BID AND PERMIT	DG/CV	JR

Seal/Signature

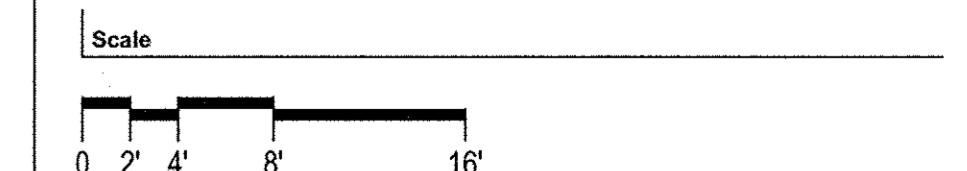


Project Name
BANK OF AMERICA
ATM INSTALLATION

Project Number
11.6563.084

CAD File Name
A11.00

Description
ELEVATIONS



A11.00

©2015 Gensler