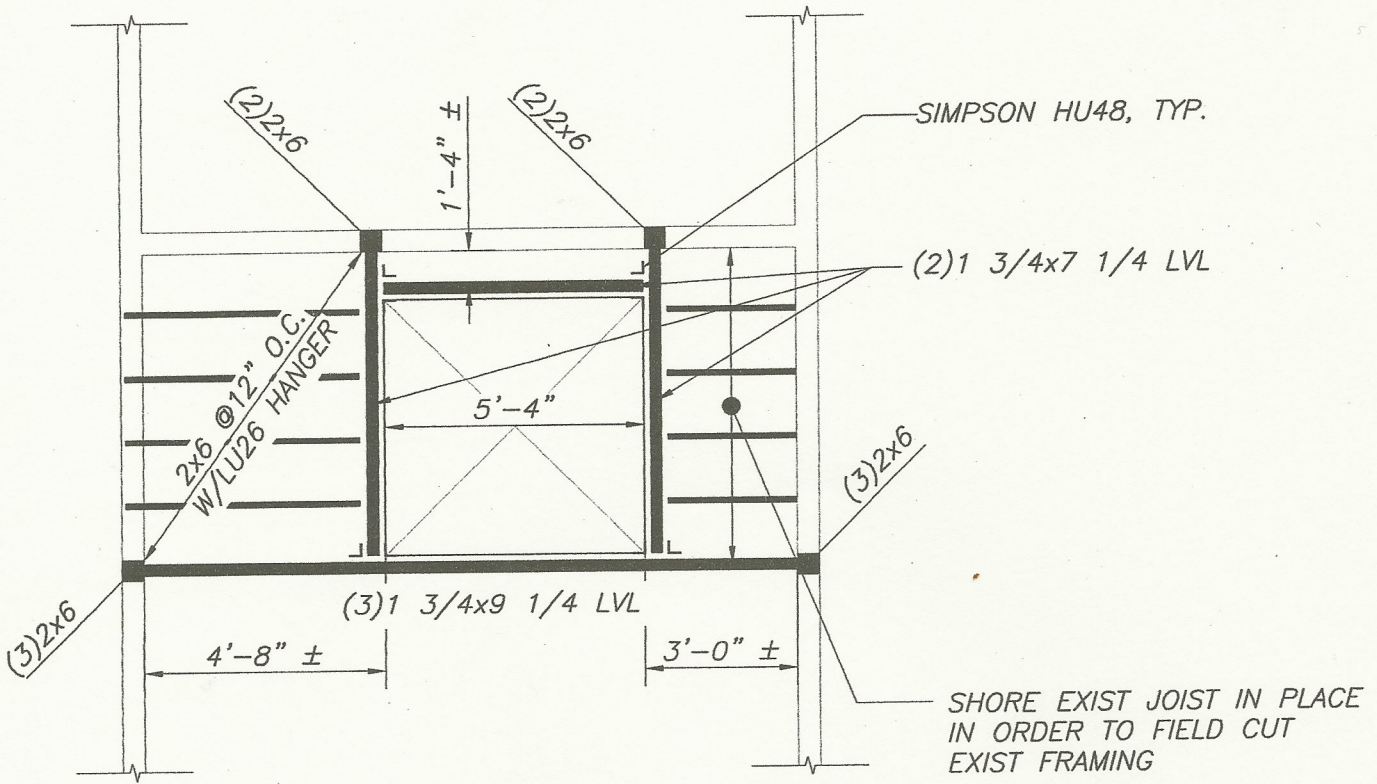


Attachment 2



FIRST FLOOR FRAMING PLAN

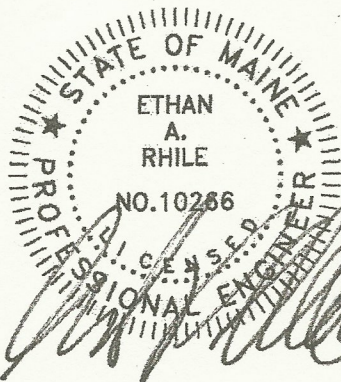
FASTEN LVL W/ 1/4"Øx3 1/2" LONG SDS SCREWS @ 24" O.C.

(3) 1 3/4x9 1/4 LVL

(2) 1 3/4x7 1/4 LVL

SIMPSON HU48 HANGER

LVL TO LVL CONNECTION DETAIL



BECKER
STRUCTURAL ENGINEERS

75 York Street, Portland, Maine 04101
207.879.1838 • beckerstructural.com

Designed	ATS
Drawn	ATS
Checked	EAR
Scale	NOTED
Date	5/10/16

30 PITT ST
PORTLAND, MAINE

Becker Job Number

S1