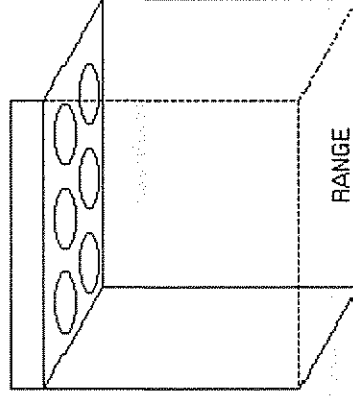
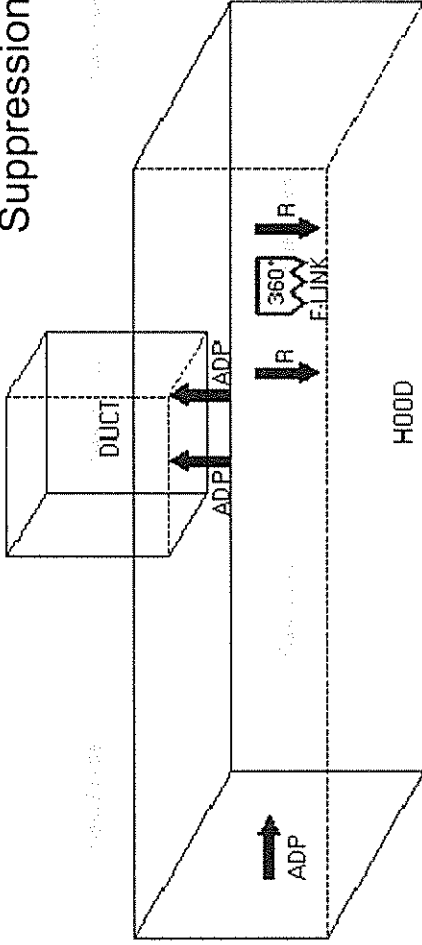



Range Guard Wet Chemical Systems Pre-Engineered Fire Suppression System



Total System Flow Points = 5

	Designed & Installed by: Firesafe Equipment Po Box 1355 Auburn, ME 04211 207-784-7525		For: ROSE FOODS		Lic #: Designer: Job #: Date: 6/12/2017	Stamp