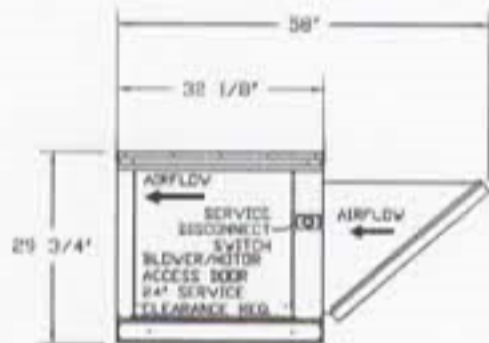
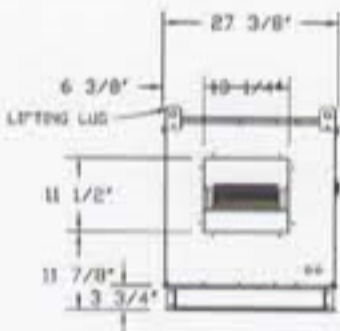
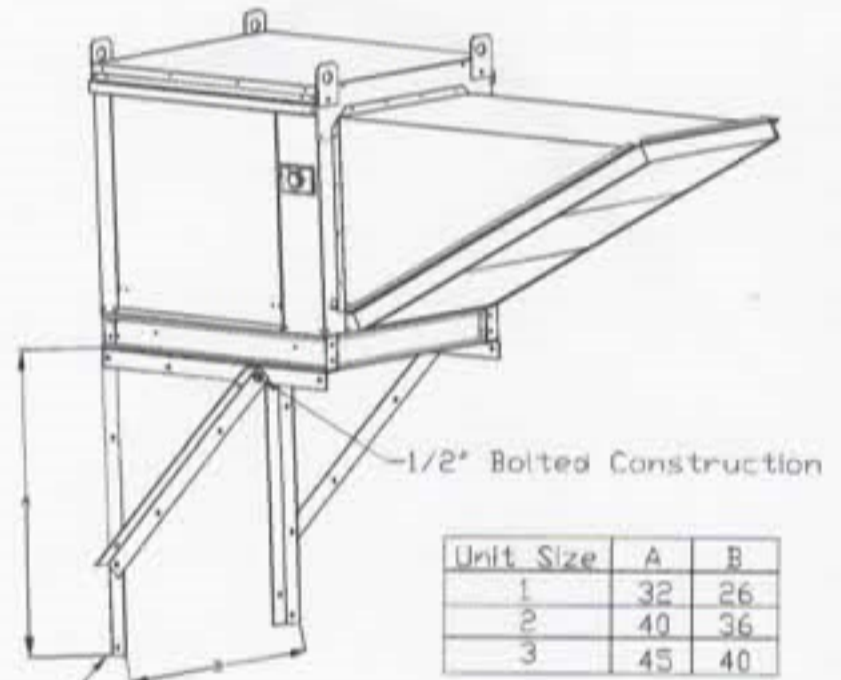


- FAN #2 A1-G100 - SUPPLY FAN
1. DIRECT DRIVE DIRECT DRIVE UNTEMPERED SUPPLY UNIT WITH 18" BLOWER IN SIZE #1 HOUSING WITH SPEED CONTROL, DISCONNECT SWITCH
 2. INTAKE HOOD WITH EZ FILTERS-LOW CFM
 3. SIDE DISCHARGE - AIR FLOW RIGHT -> LEFT
 4. FULL CRATING FOR UNTEMPERED FANS FOR SHIPPING
 5. 3 YEAR EXTENDED WARRANTY FOR FAN MOTOR. PARTS ONLY; DOES NOT INCLUDE LABOR
 6. GRAVITY BACK DRAFT DAMPER, 16" WIDE X 18" HIGH, STANDARD GALVANIZED CONSTRUCTION, 1/4" REAR FLANGE, FOR SIZE 1 UNTEMPERED FAN HOUSING (SIB)
 7. WALL MOUNT OPTION FOR SIZE 1 UN-TEMPERED MAKE-UP AIR FAN. 30" LONG ANGLE IRON FRAME.
 8. ECM WIRING PACKAGE FOR SUPPLY MOTORS WITH PWM SIGNAL FROM EOPND3 PREWIRE.



Untempered Supply Fan Wall Mount Bracket Detail



Unit Size	A	B
1	32	26
2	40	36
3	45	40

2" x 2" 10 GA Galv Angle

CUSTOMER APPROVAL TO MANUFACTURE:

- Approved as Noted
- Approved with NO Exception Taken
- Revis and Resubmit
- SIGNATURE _____
- Your Title _____ Date _____



CAPTIVEAIR

JOB Rose Foods R1	
LOCATION SCARBOROUGH, ME.	
DATE 6/2/2017	JOB # 3039226
DWG # 9	DRAWN BY BEC-21
REV	SCALE 3/8" = 1'-0"