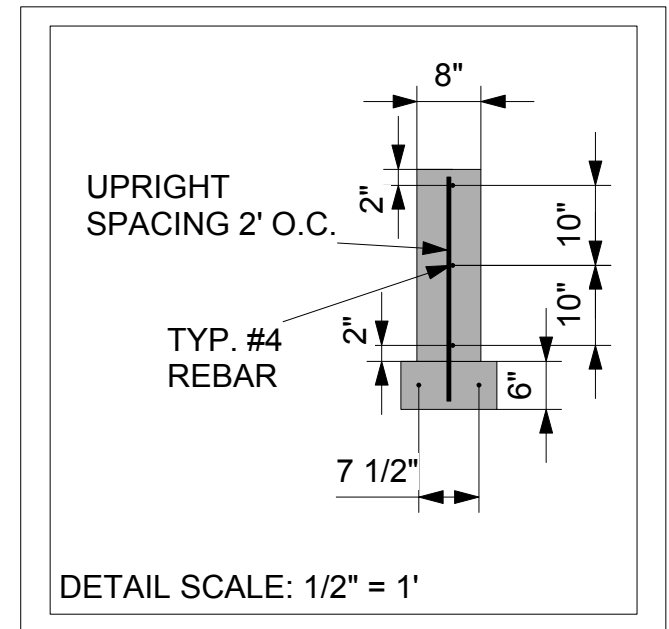


SCALE: 1/4" = 1'

REBAR DETAIL FOR
FOOTING AND
FOUNDATION WALL



NEW 2x4 P.T.
MUD SILL ATTACHED W/
1/2" x 12" ANCHOR BOLTS AT
16" O.C.

FOUNDATION DETAILS
UPDATED: DECEMBER 4th, 2016