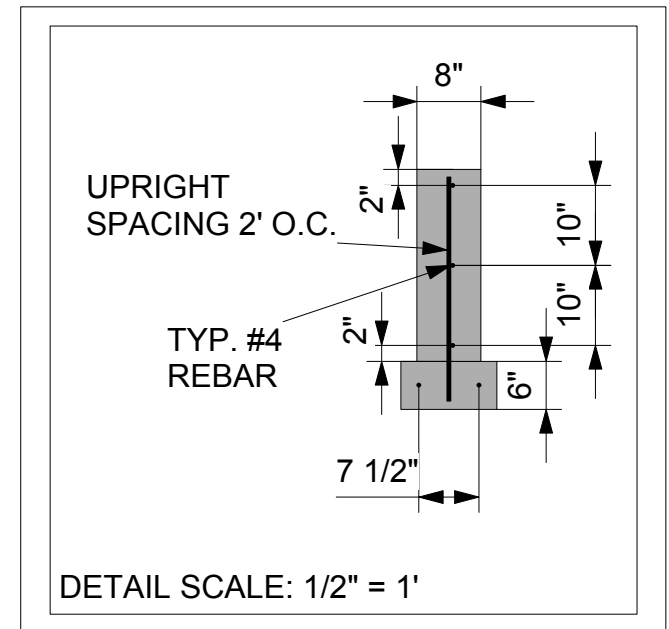


REBAR DETAIL FOR FOOTING AND FOUNDATION WALL



FOUNDATION DETAILS