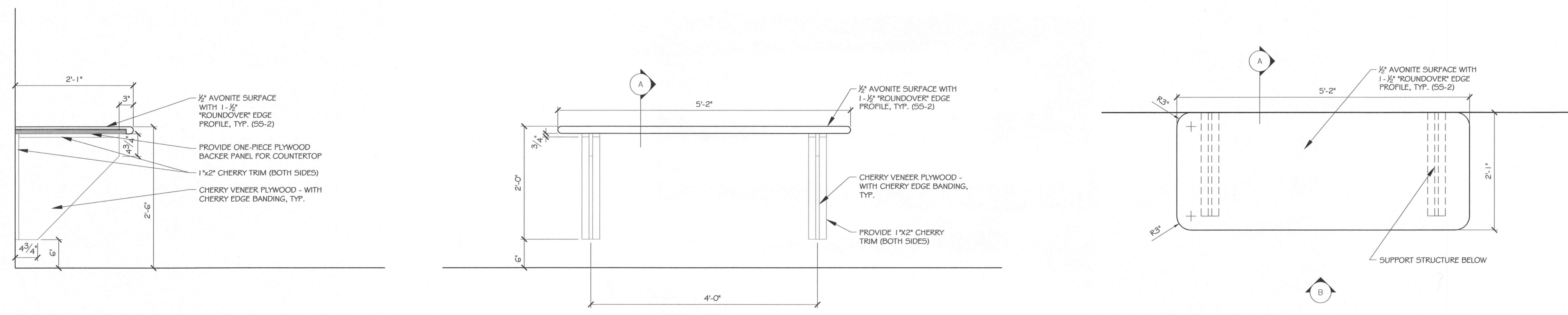


DRAWING STATUS  
 OFFICE REVIEW  
 CLIENT REVIEW  
 PERMIT REVIEW  
 BIG SET  
 CONTRACT DRAWING  
 CONSTRUCTION  
 No drawing shall be recognized as a construction document unless it bears a blue inked registration seal.

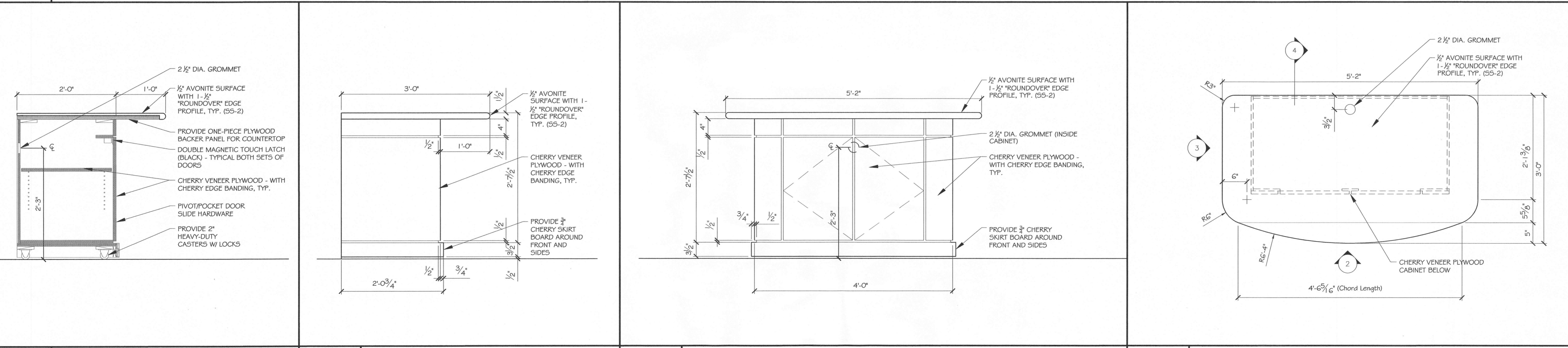
SHEET TITLE  
**MILLWORK-BOM KIOSK**  
 JOB NO.  
**20142**  
 DRAWN BY  
**TRN**  
 CHECKED BY  
**TRN**  
 SCALE  
**AS NOTED**  
 ORIGINAL DATE  
**05-12-14**  
 REVISION DATE

SHEET  
**A623**  
20142-NB-PLATZ-20120025 ARCHITECTURAL.JRD

**6 RESERVED**  
 SCALE: N.T.S.



**5 COUPON BOOTH DESK**  
 A100 SCALE: 1" = 1'-0"



**4 BOM KIOSK SECTION**  
 A622 SCALE: 1" = 1'-0"

**3 BOM KIOSK SIDE ELEV.**  
 A622 SCALE: 1" = 1'-0"

**2 BUSINESS OF THE MONTH KIOSK FRONT ELEVATION**  
 A622 SCALE: 1" = 1'-0"

**1 BUSINESS OF THE MONTH KIOSK MATERIALS**  
 A100 SCALE: 1" = 1'-0"