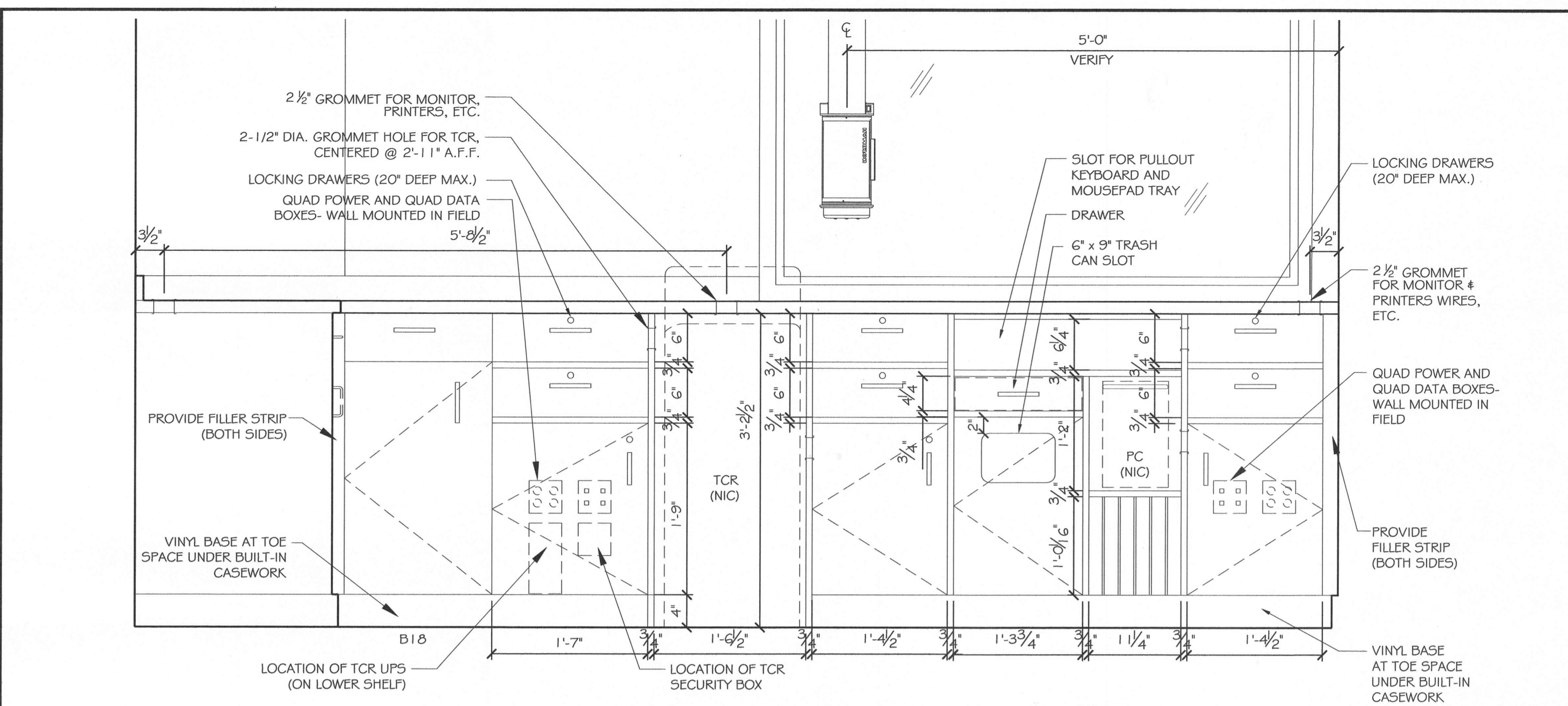
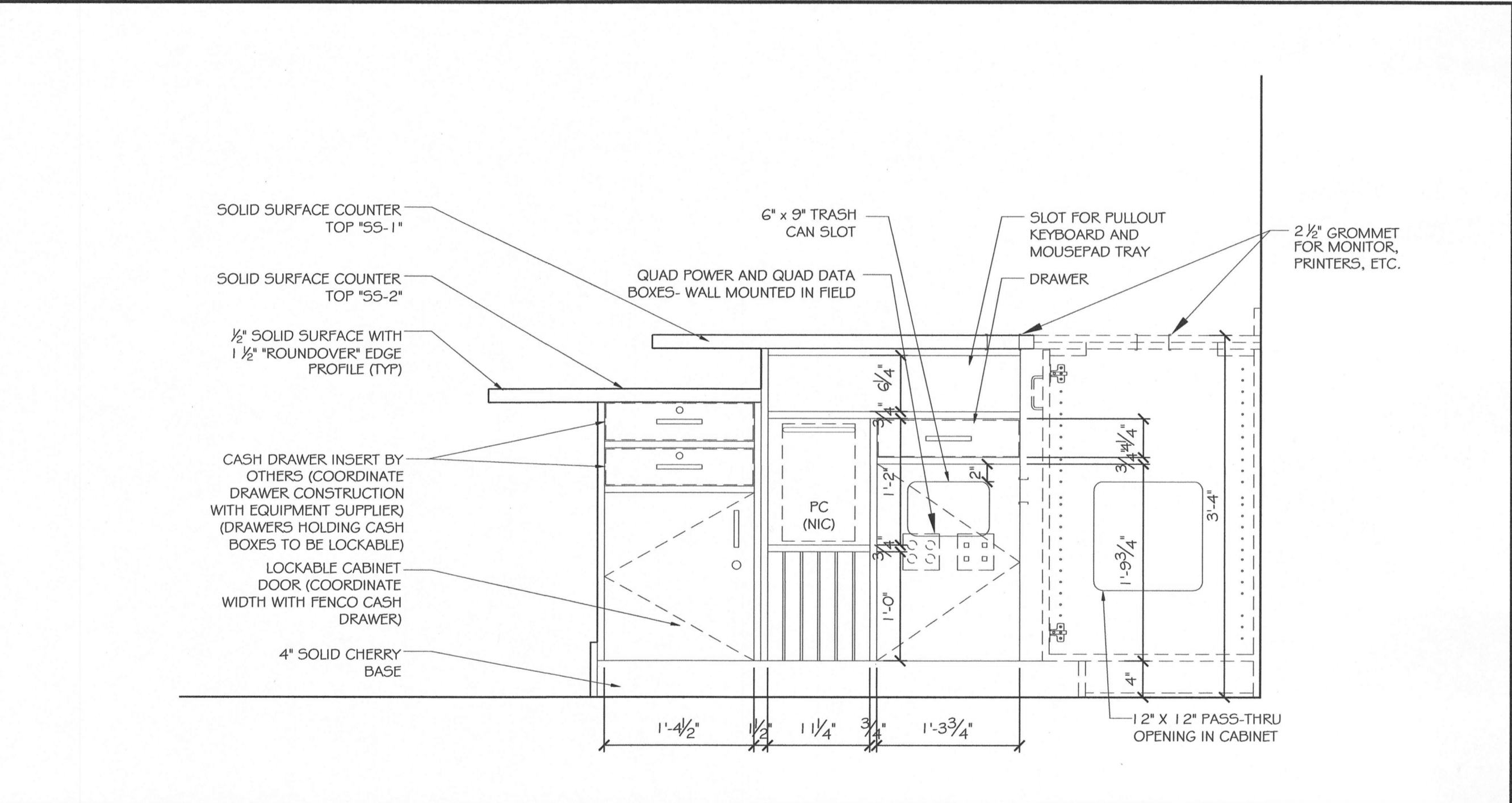


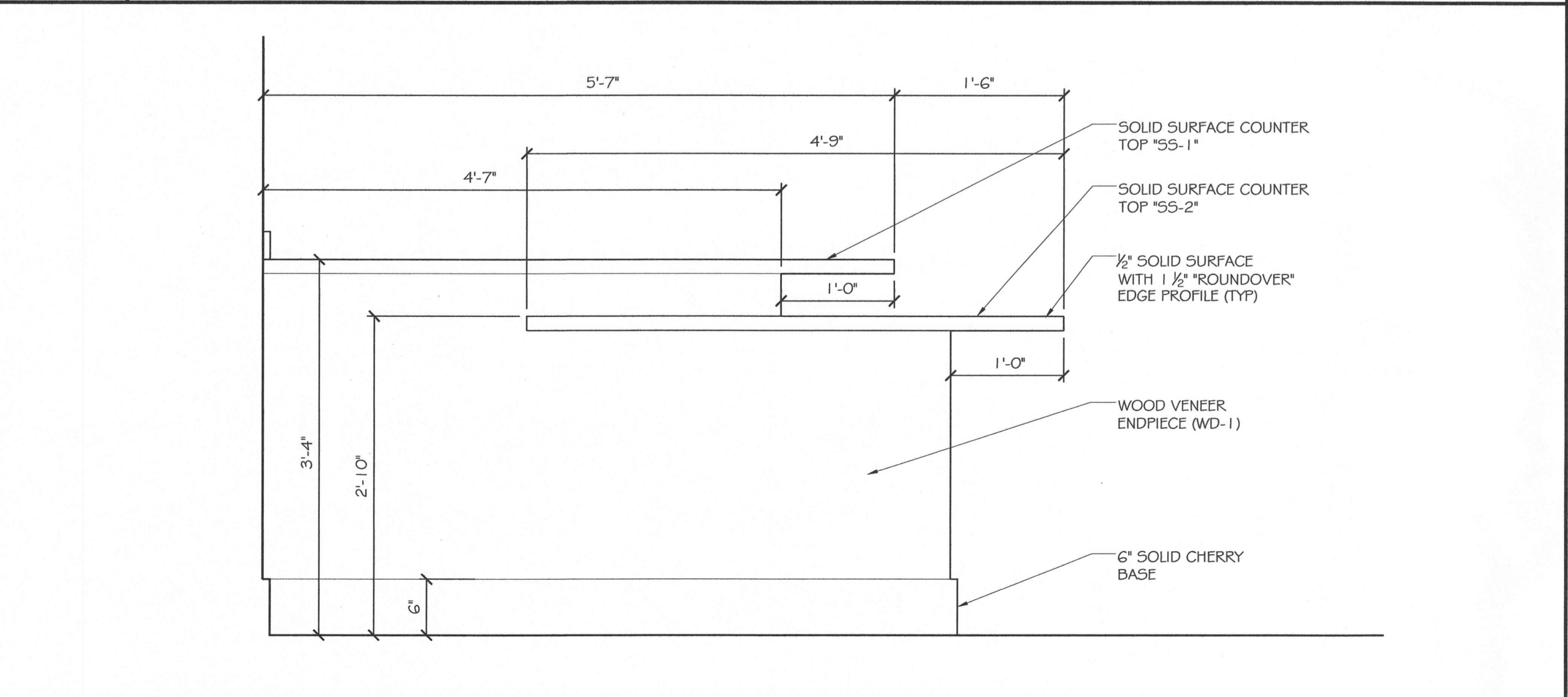
5 DRIVE-THRU CONNECTOR DESK ELEVATION
A622 SCALE: 1" = 1'-0"



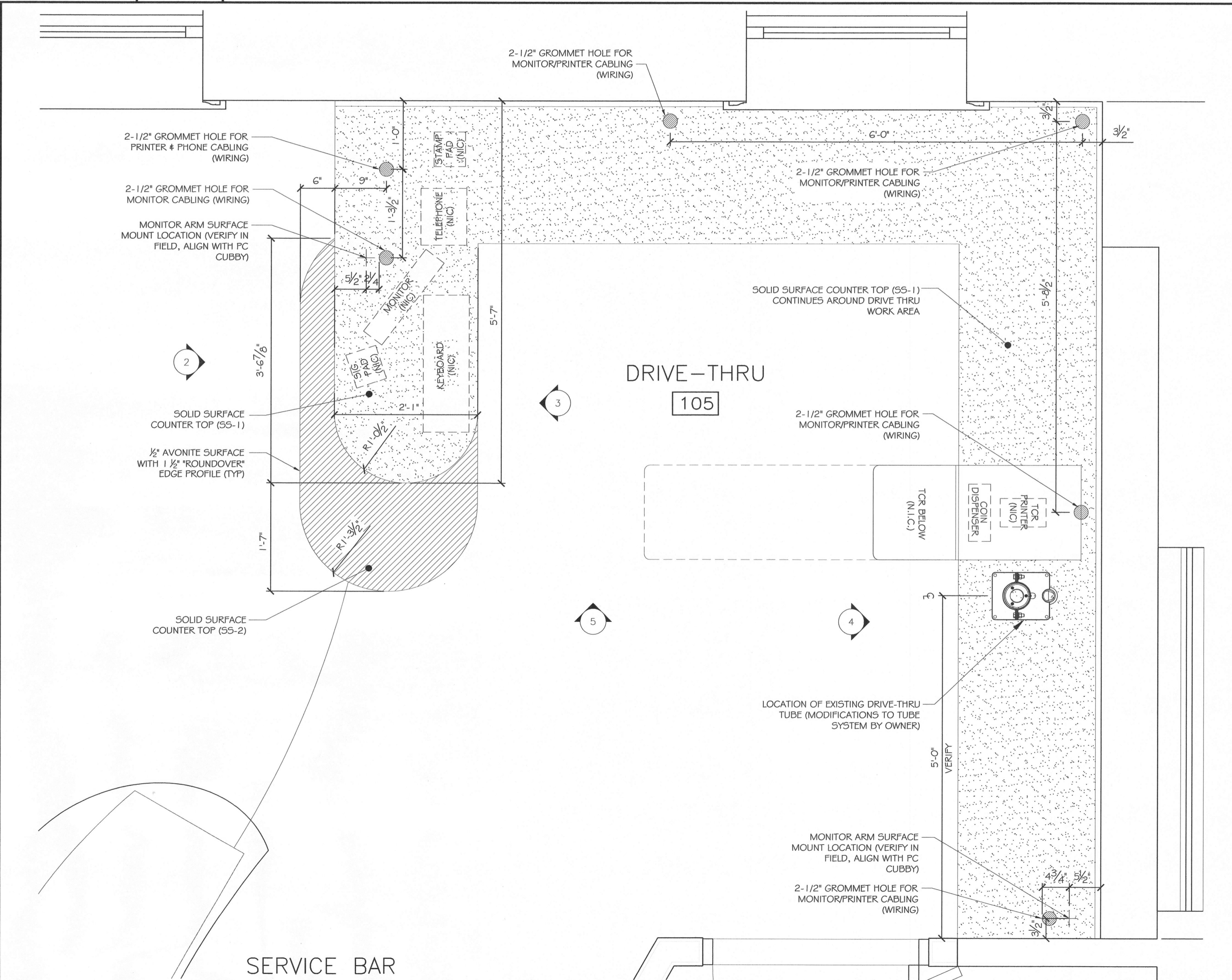
4 DRIVE-THRU WINDOW DESK ELEVATION
A622 SCALE: 1" = 1'-0"



3 DRIVE-THRU STATION DESK ELEVATION (BACK VIEW)
A622 SCALE: 1" = 1'-0"



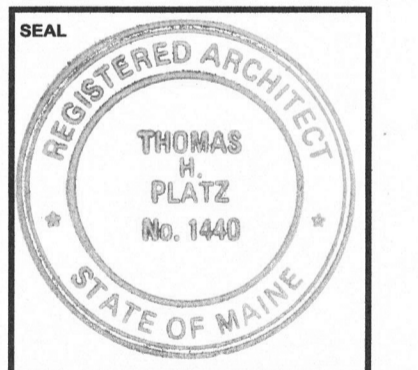
2 DRIVE-THRU STATION DESK ELEVATION (FRONT VIEW)
A622 SCALE: 1" = 1'-0"



1 DRIVE-THRU STATION DESK PLAN
A100 SCALE: 1" = 1'-0"

PLATZ ASSOCIATES
Architects - Engineers
Construction Managers
Tel 207-784-2941
Fax 207-784-3856
Two Great Falls Plaza, Auburn, Maine 04210

Construction of:
NORWAY SAVINGS BANK
446 Forest Avenue
Portland, Maine 04101



DRAWING STATUS
 OFFICE REVIEW
 CLIENT REVIEW
 PERMIT REVIEW
 BID SET
 CONTRACT DRAWING
 CONSTRUCTION

No drawing shall be recognized as a construction document unless it bears a blue inked registration seal.

SHEET TITLE
MILLWORK-DRIVE-THRU BAR

JOB NO.
20142

DRAWN BY
TRN

CHECKED BY
TRN

SCALE
AS NOTED

ORIGINAL DATE
05-12-14

REVISION DATE

SHEET
A622