

DRAWING STATUS
 OFFICE REVIEW
 CLIENT REVIEW
 PERMIT REVIEW
 BID SET
 CONTRACT DRAWING
 CONSTRUCTION
 No drawing shall be recognized as a construction document unless it bears a blue inked registration seal.

SHEET TITLE
MILLWORK-CHECK WRITING

JOB NO.
 20119

DRAWN BY
 TRN

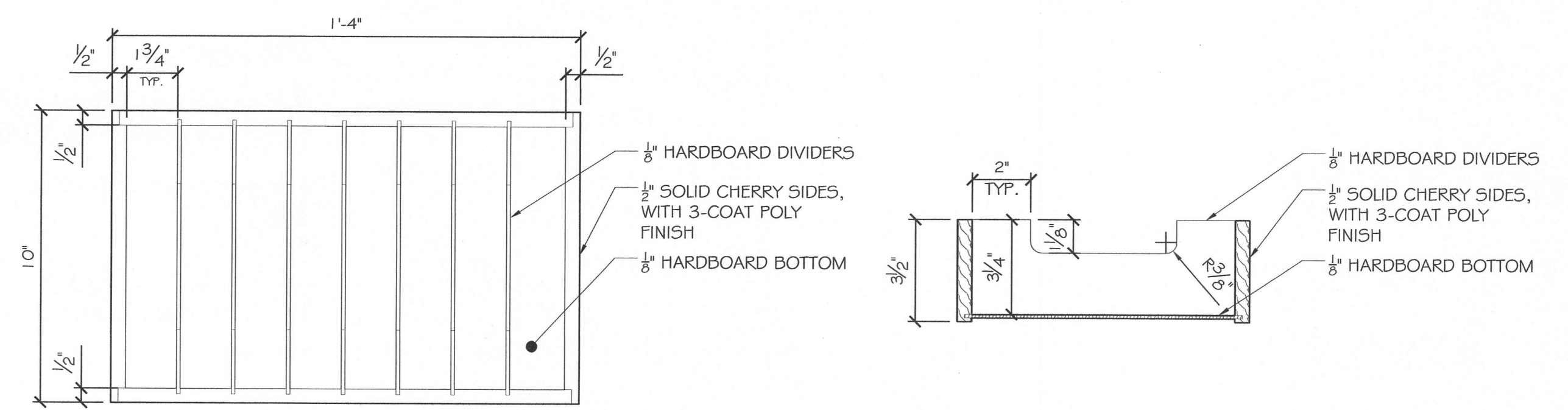
CHECKED BY
 TRN

SCALE
 AS NOTED

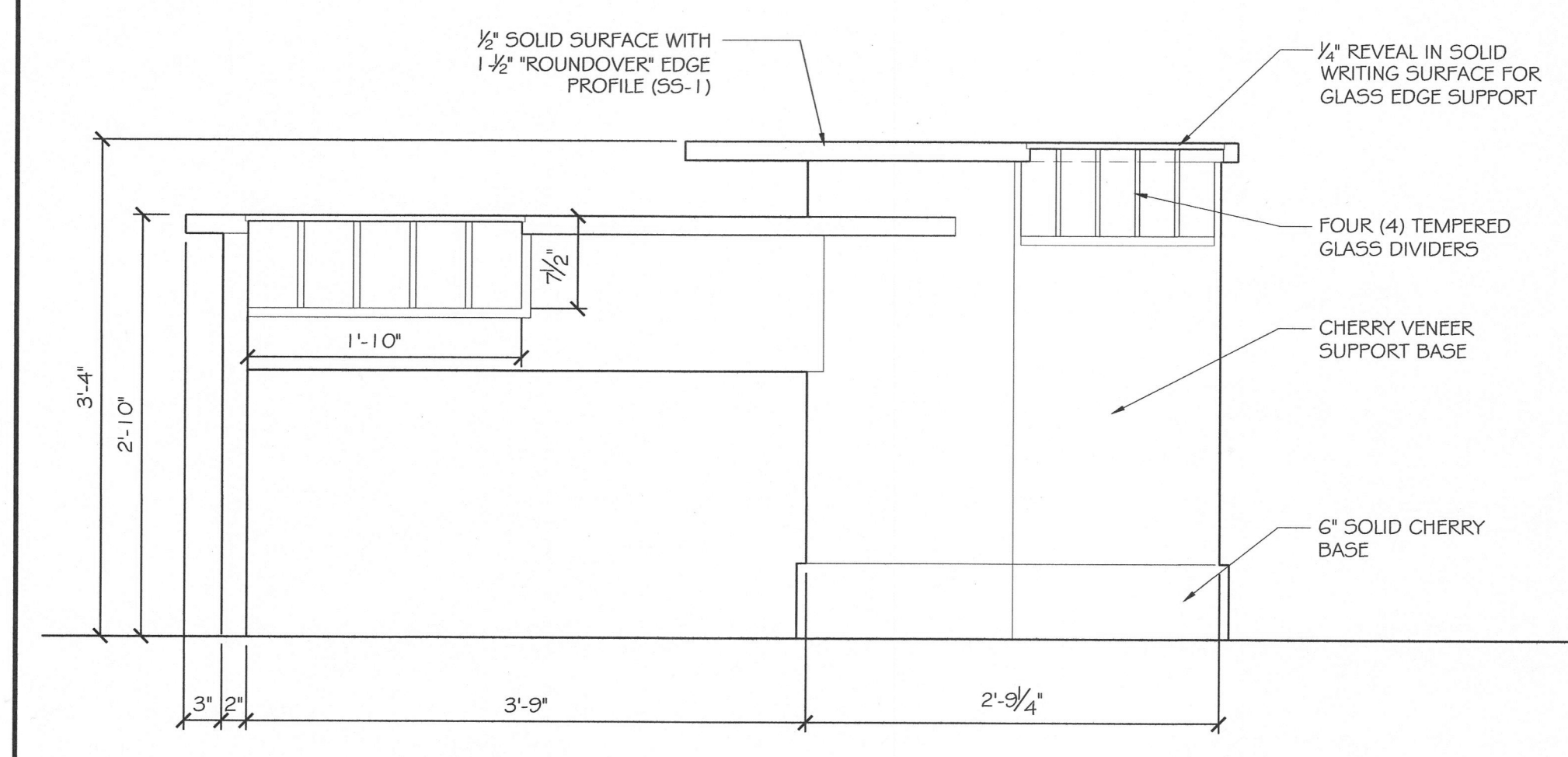
ORIGINAL DATE
 05-12-14

REVISION DATE

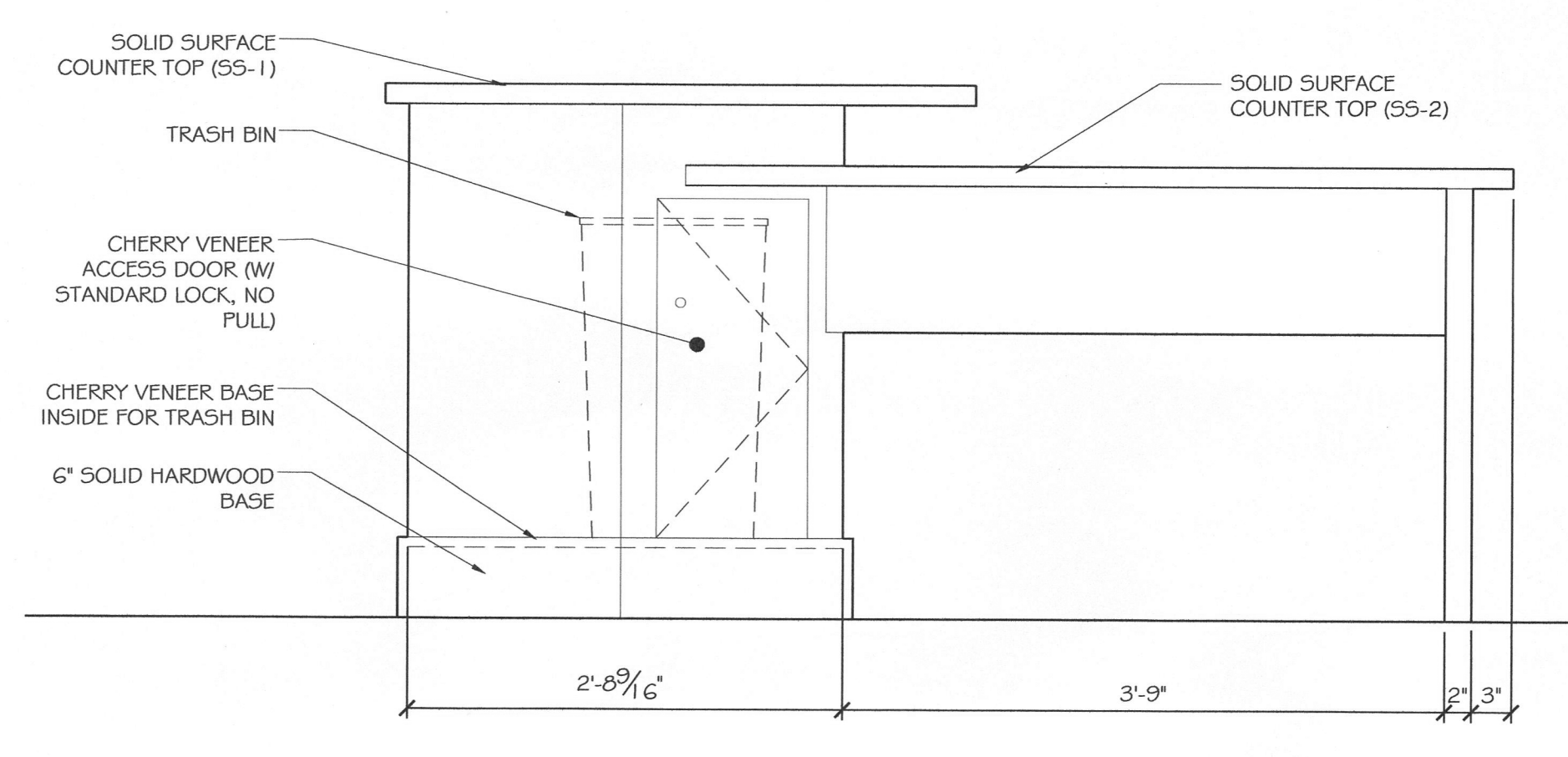
SHEET
A621



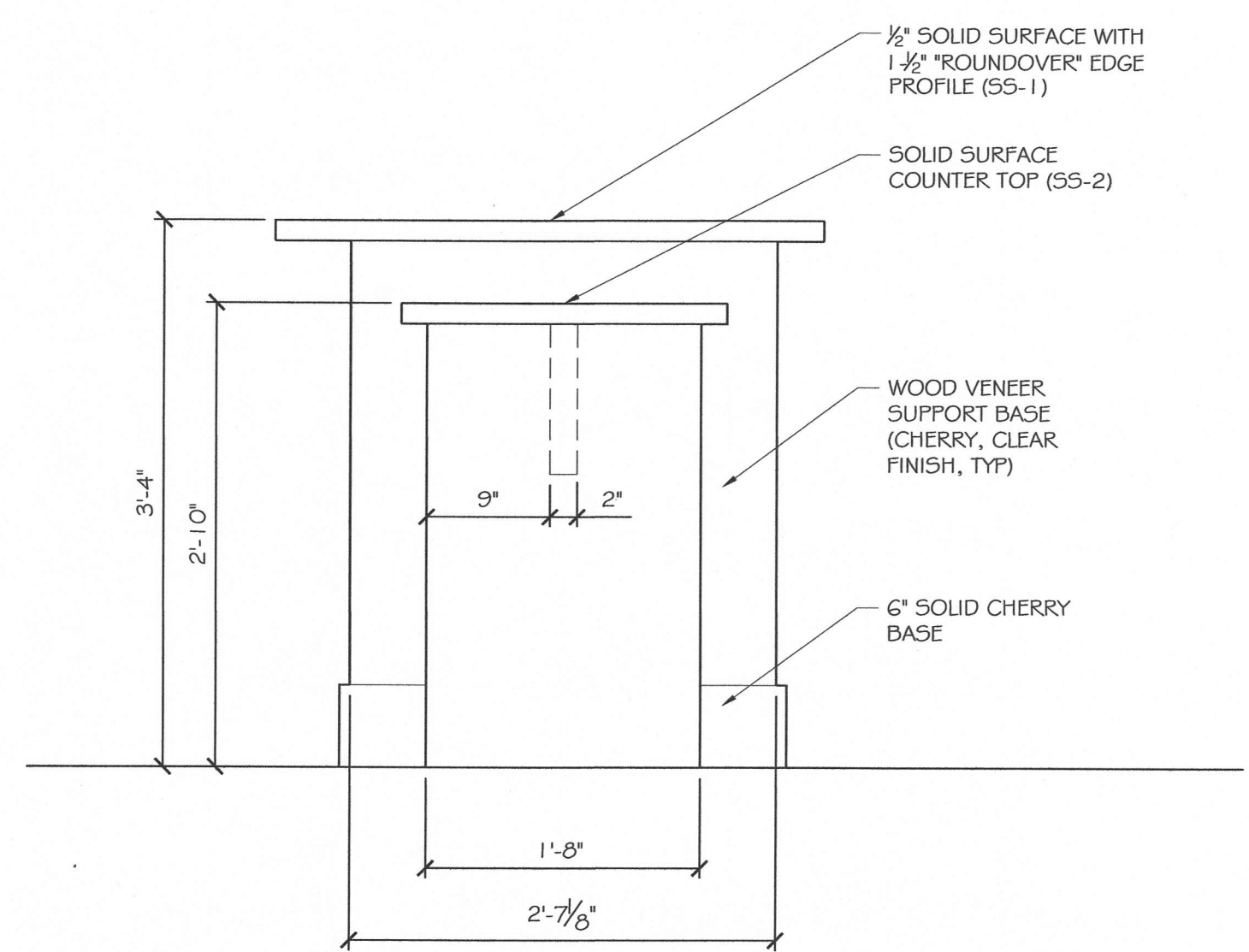
6 DRAWER INSERT DETAIL- PROVIDE (4) FOUR UNITS TOTAL
 A620 SCALE: 3" = 1'-0"



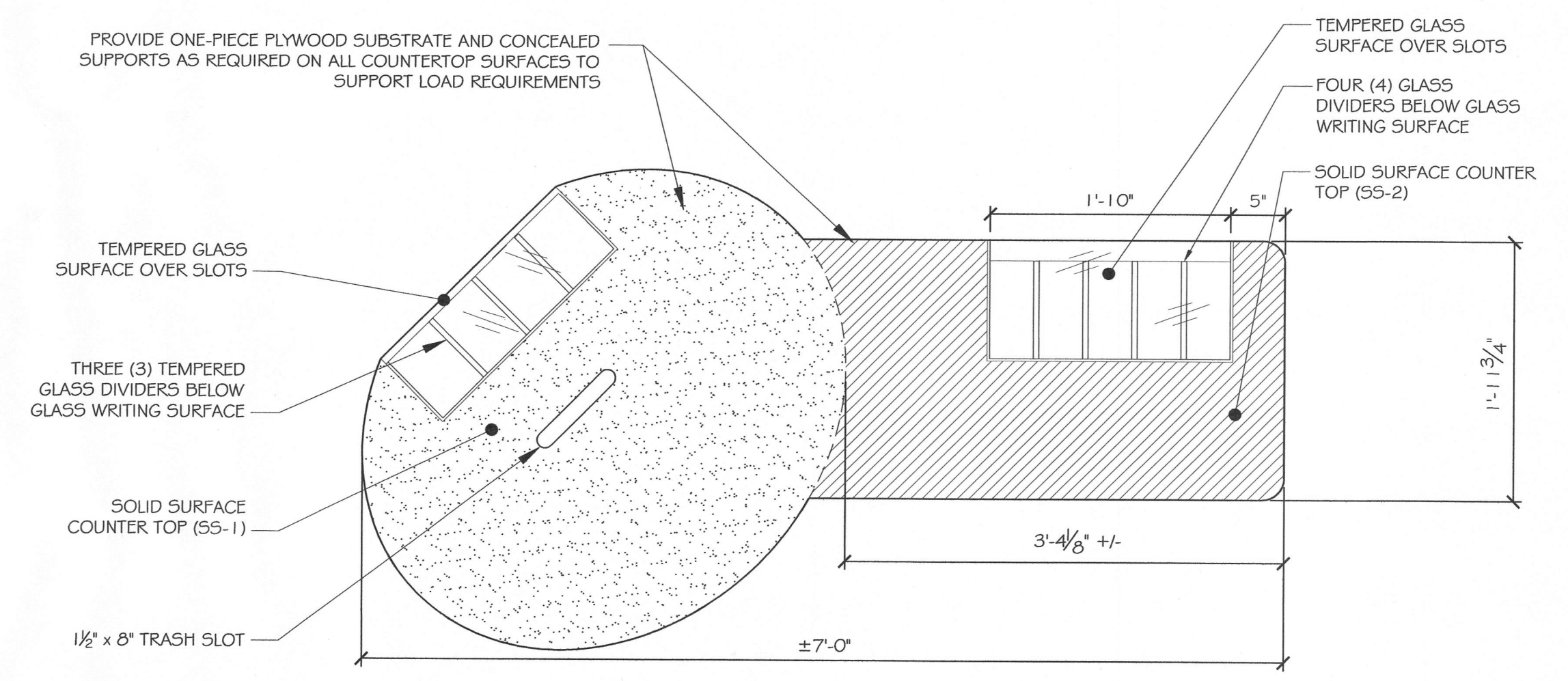
3 CHECK-WRITING TABLE (BACK VIEW)
 A622 SCALE: 1" = 1'-0"



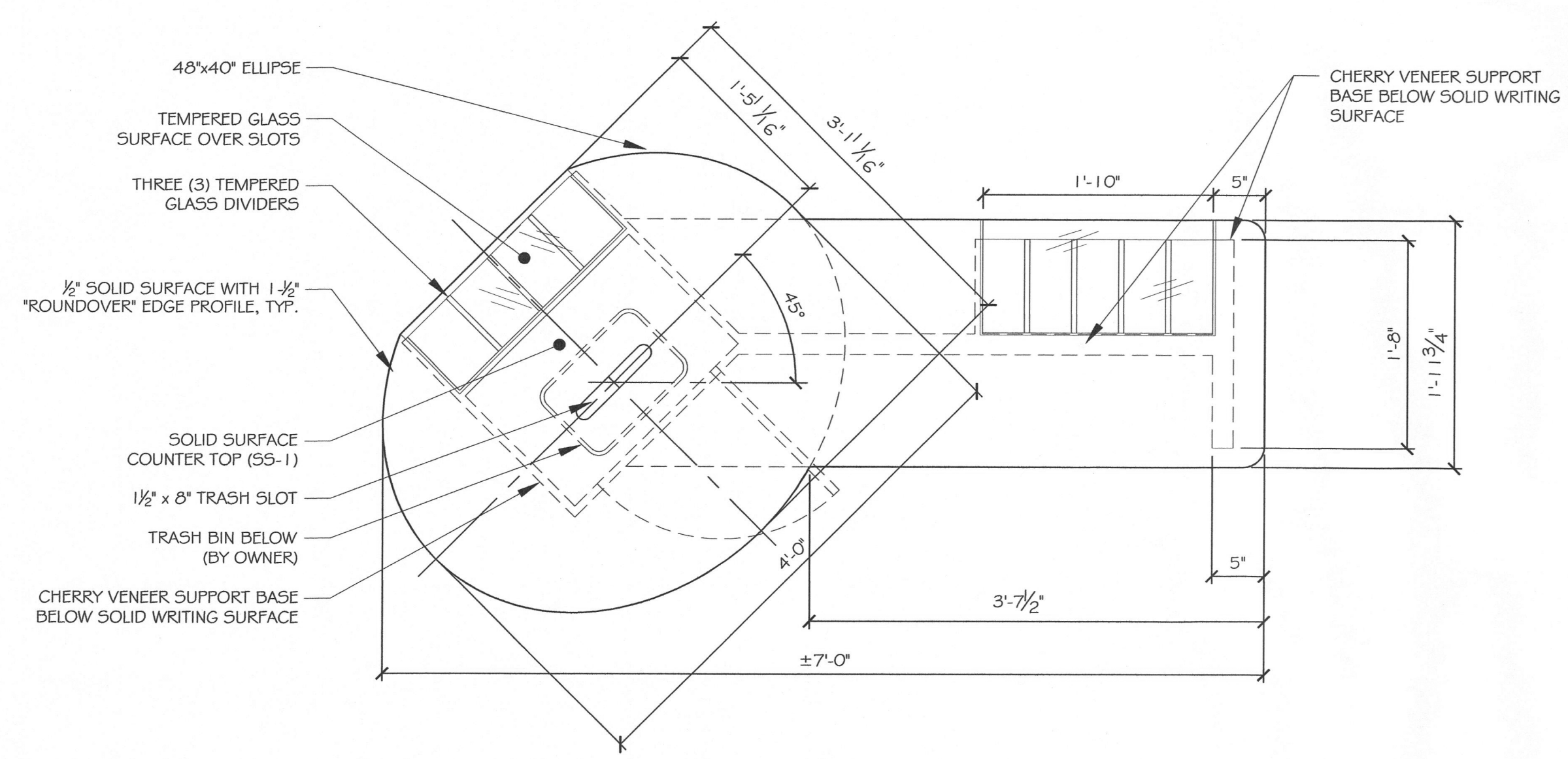
4 CHECK-WRITING TABLE (FRONT VIEW)
 A622 SCALE: 1" = 1'-0"



5 C-W TABLE (END VIEW)
 A622 SCALE: 1" = 1'-0"



1 CHECK-WRITING TABLE MATERIALS
 A101 SCALE: 1" = 1'-0"



2 CHECK-WRITING TABLE (PLAN VIEW)
 A622 SCALE: 1" = 1'-0"

7 RESERVED
 SCALE: N.T.S.