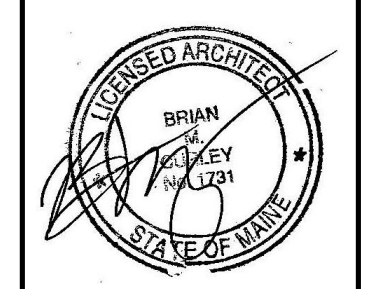


No.	Date	Description
		Revision Schedule



JOB NO.
080316

DRWN. CHK
Checker

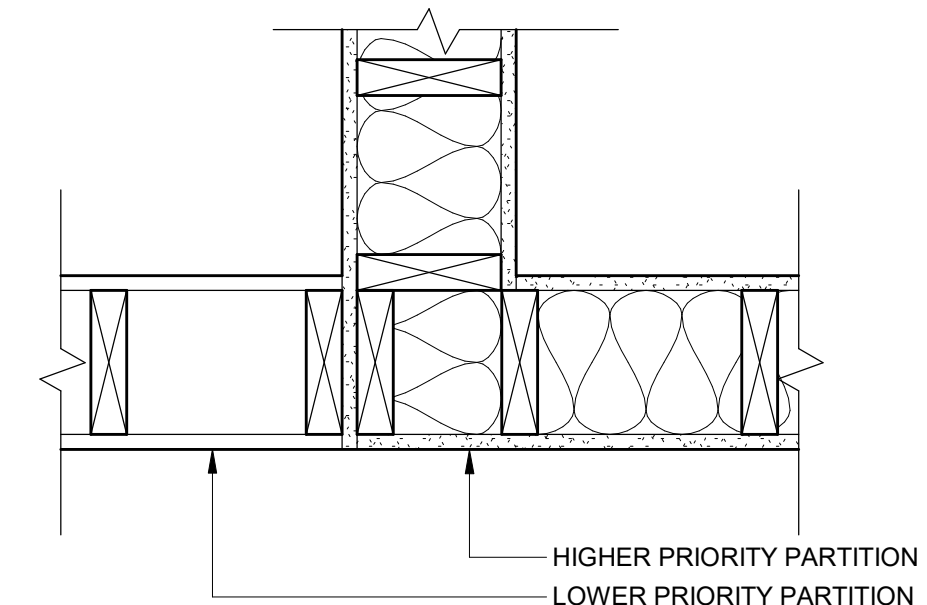
SCALE:

ISSUE
11/17/17

TITLE
Typical Assemblies

SHEET

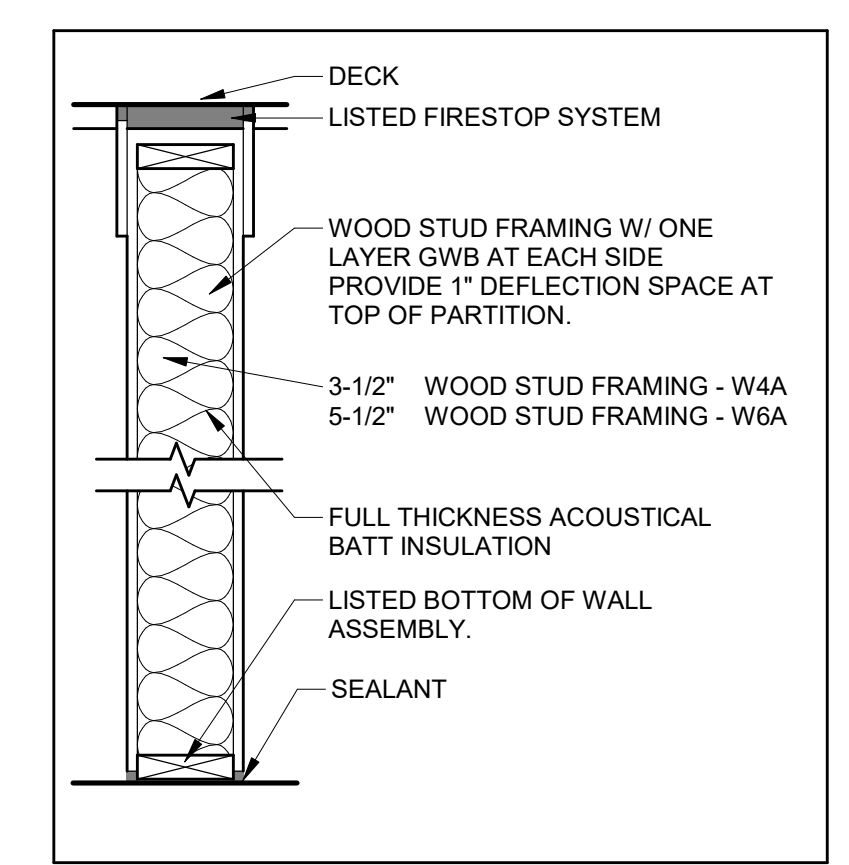
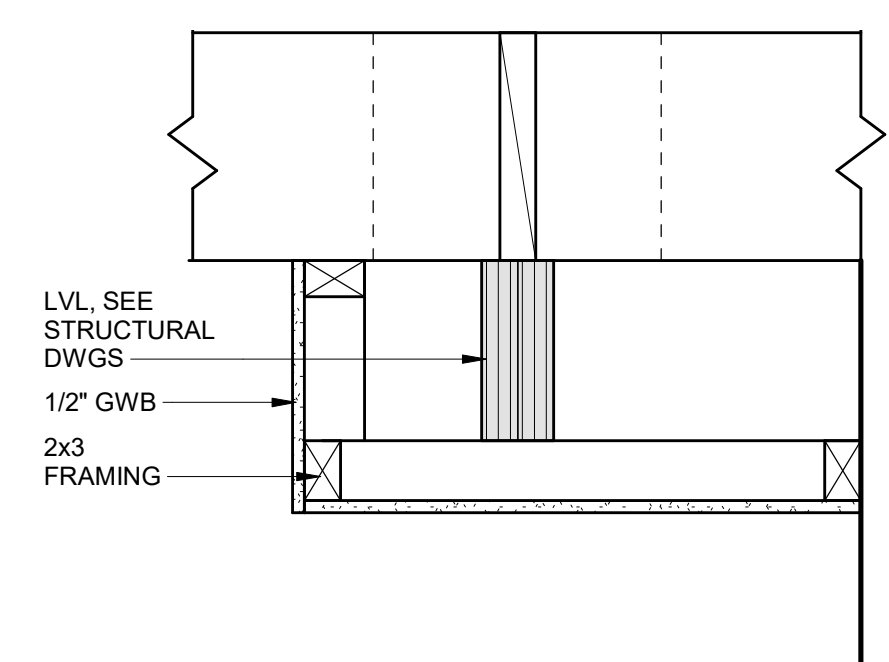
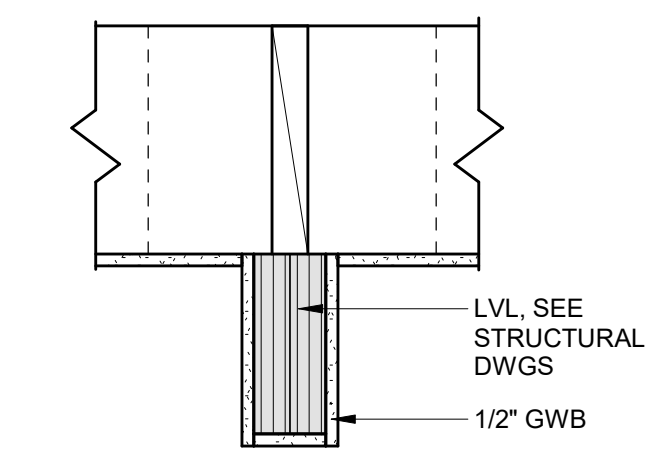
A004



PARTITION PRIORITY LEGEND		
FIRE & SMOKE	HIGHEST	2-HOUR FIRE WALL 2-HOUR FIRE BARRIER AT EXIT ENCLOSURE
		1-HOUR FIRE BARRIER AT EXIT ENCLOSURE
		1-HOUR FIRE BARRIER SMOKE PARTITION
	LOWEST	NON-RATED PARTITION OR FURRING
SOUND CLASS	HIGHEST	STC >= 60
		60 > STC > 50
	LOWEST	NO STC

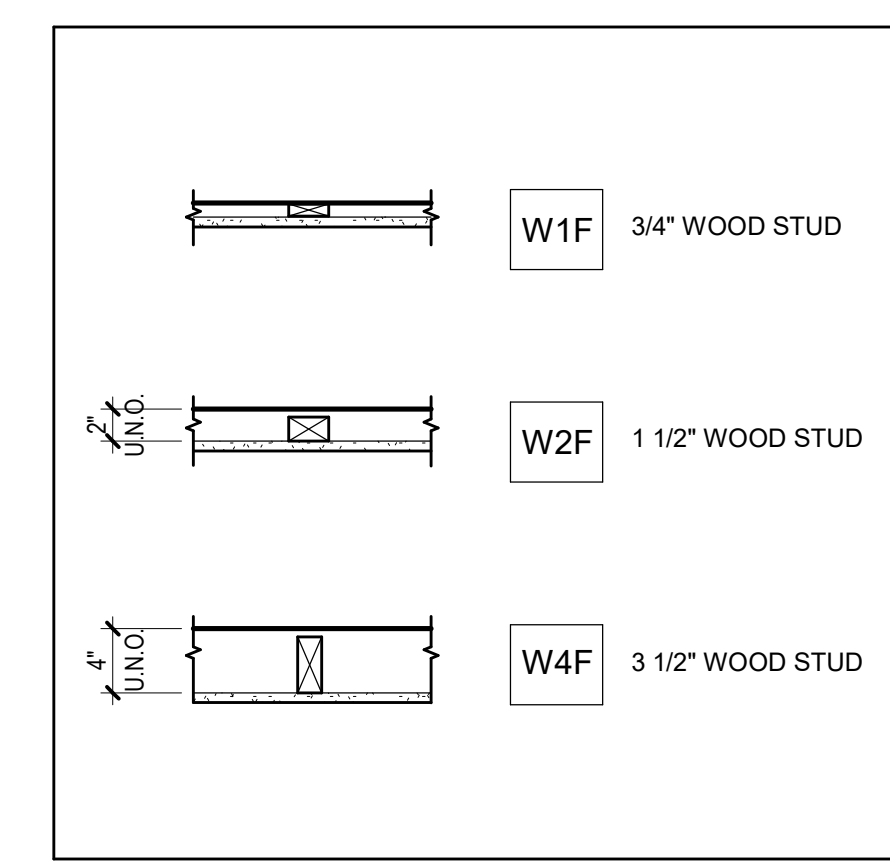
ALL COMPONENTS OF THE HIGHER PRIORITY PARTITION ASSEMBLY MUST CONTINUE UNINTERRUPTED PAST THE LOWER PRIORITY PARTITION ASSEMBLY.

SEE SHEET A00X FOR FIRE, SMOKE AND STC VALUES OF PARTITION ASSEMBLIES.

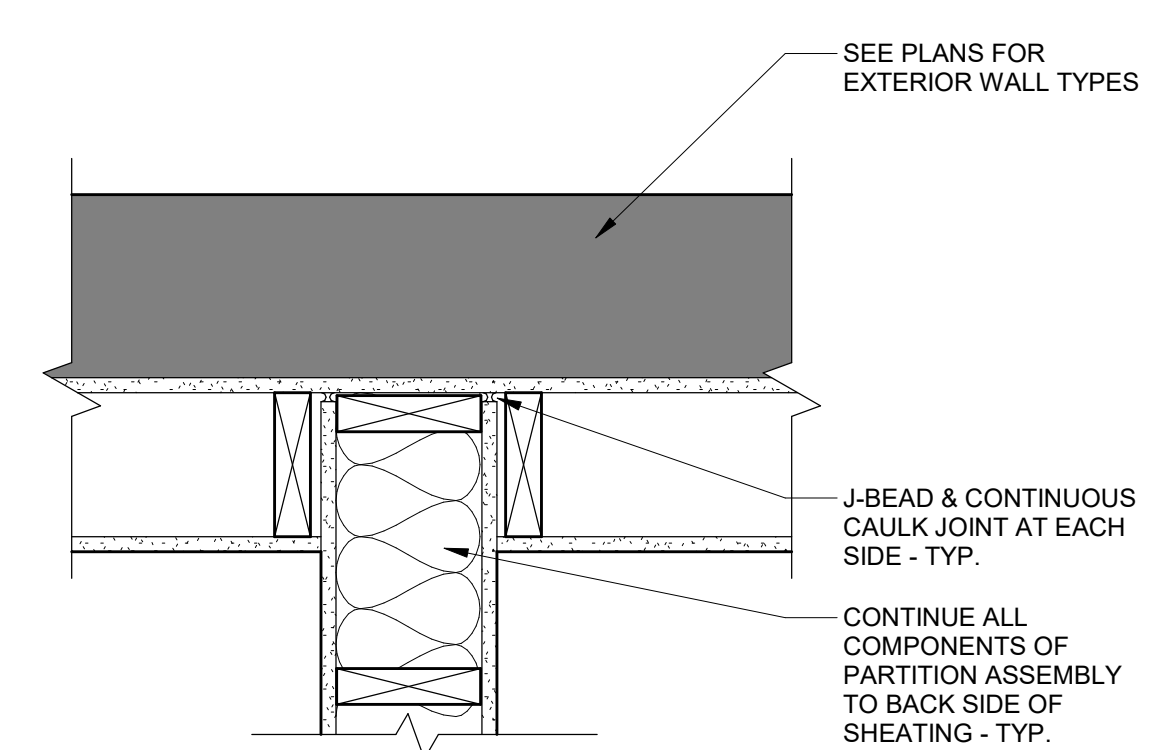
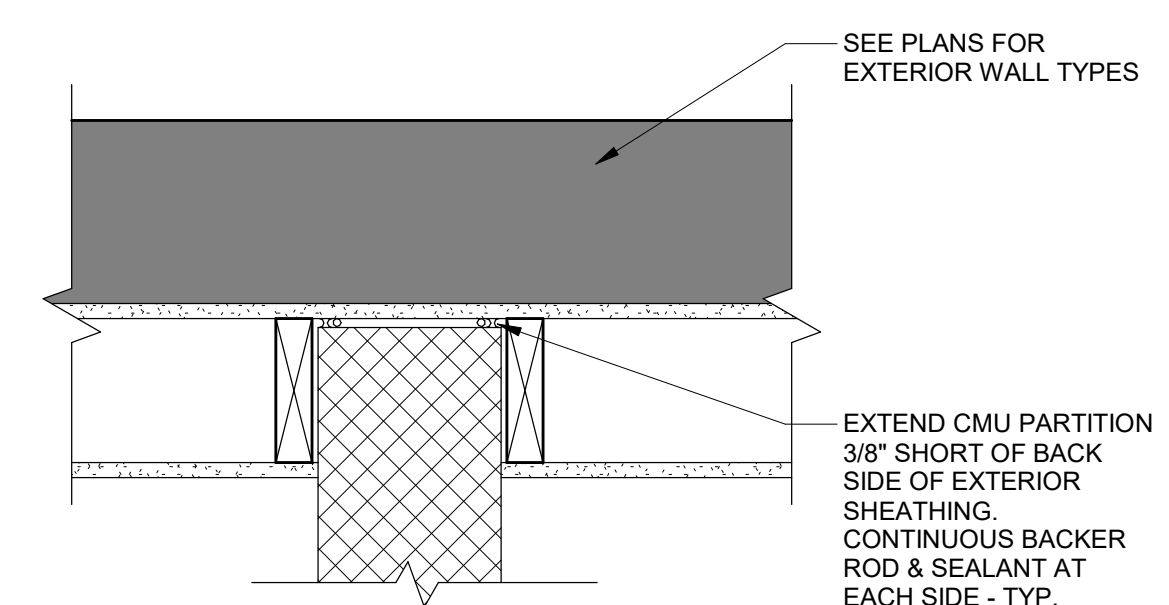


WOOD STUD PARTITION
FULL HEIGHT

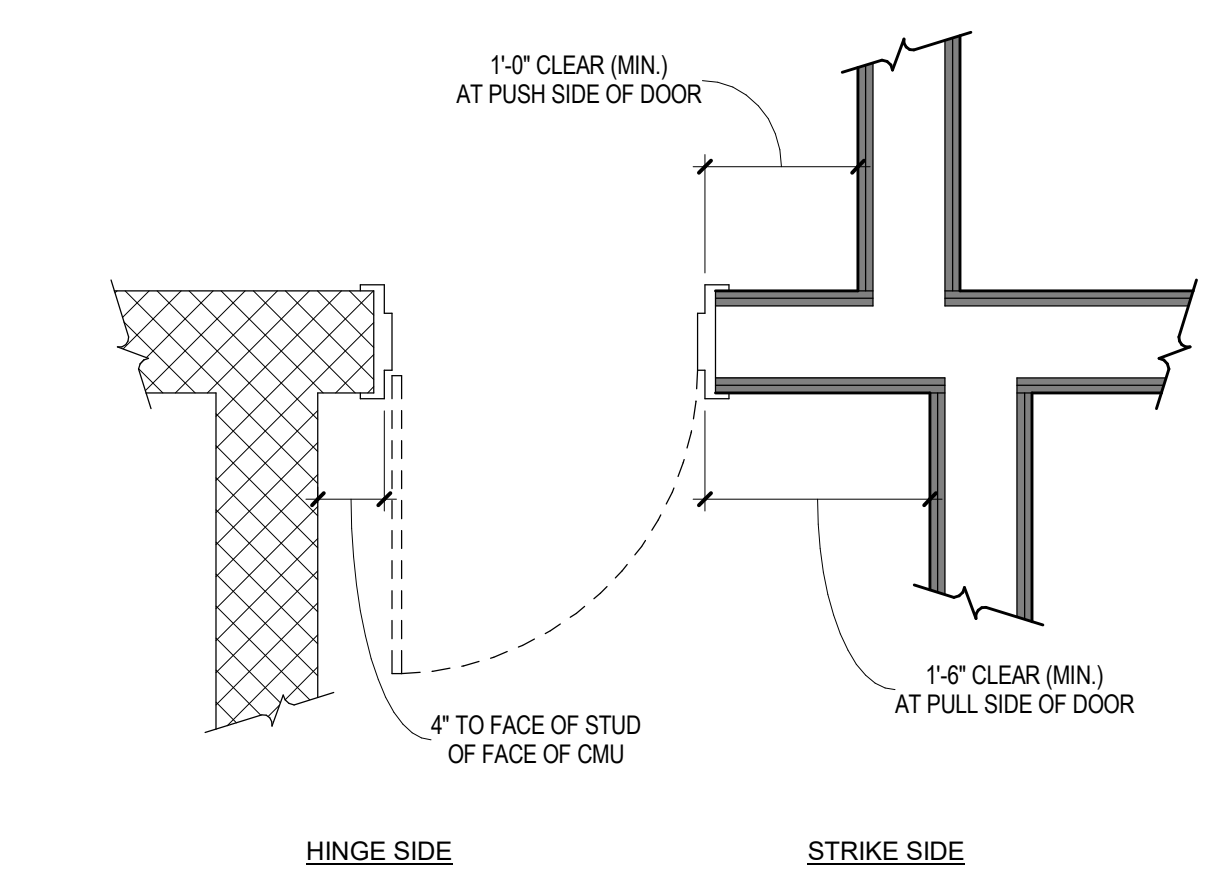
W4A
W6A



WOOD FURRING
EXTEND GWB 3"
ABOVE FIN. CLG.
U.N.O.



NOTE:
SEE SPECIFIC PLAN DETAILS FOR INTERSECTIONS OF FIRE WALLS WITH EXTERIOR WALL SYSTEMS.



PLAN OR NOMINAL DIMENSION
(ACTUAL OPENING DIMENSION = NOMINAL + 3/8")

NOTE:
MINIMUM CLEAR DIMENSIONS
MAY NOT BE REDUCED.
ADJUST HINGE SIDE
DIMENSIONS AS NEEDED TO
MAINTAIN CLEAR DIMENSIONS
INDICATED.

