

ROOM FINISH SCHEDULE										
NO.	DESCRIPTION	FLOOR	BASE	WALLS				CEILING		NOTES
				NORTH	EAST	SOUTH	WEST	MATERIAL	HEIGHT	
FIRST FLOOR										
141	TOILET ROOM	CFT	CWT-1	CWT-1,2, P1	CWT-1,2, P1	CWT-1,2, P1	CWT-1,2, P1	EXIST GYP, P3	EXIST	A
144	STORAGE	VCT	RWB	P2	P2	P2	P2	EXIST GYP, P3	EXIST	-

COLOR KEY/MANUFACTURER GUIDE		
MATERIAL	MANUFACTURER MODEL/TYPE	COLOR & FINISH
WALLS		
P1	SHERWIN WILLIAMS	TO BE SELECTED
P2	SHERWIN WILLIAMS	TO BE SELECTED
CWT-1	DALTILE, CONTINENTAL SLATE, COLORBODY PORCELAIN (6X6)	EGYPTIAN BEIGE (FIELD)
CWT-2	DALTILE, CONTINENTAL SLATE, COLORBODY PORCELAIN (4X12)	CS72 (DECORATIVE BAND)
CWT-1	DALTILE, CONTINENTAL SLATE, COLORBODY PORCELAIN (3X12)	ENGLISH GREY (BULLNOSE CAP)
FLOORS		
CFT	DALTILE, CONTINENTAL SLATE, COLORBODY PORCELAIN (12X12)	EGYPTIAN BEIGE (FIELD)
VCT	TO BE SELECTED	TO BE SELECTED
BASE		
CWT-1	DALTILE, CONTINENTAL SLATE, COLORBODY PORCELAIN (6X6)	TO BE SELECTED
RWB	TO BE SELECTED	TO BE SELECTED
CEILING		
P3	SHERWIN WILLIAMS	WHITE
MISC		
METAL DOOR FRAMES	SHERWIN WILLIAMS	TO BE SELECTED

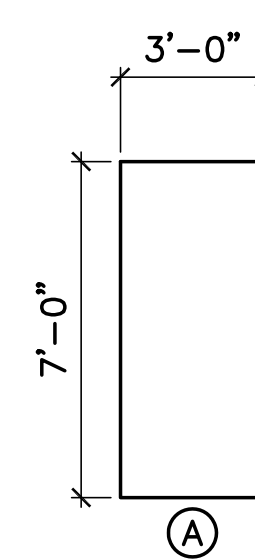
ROOM FINISH SCHEDULE LEGEND

CFT = CERAMIC FLOOR TILE
 CWT = CERAMIC WALL TILE
 EXIST = EXISTING CONDITIONS
 GYP = GYPSUM WALLBOARD
 P = PAINT
 RWB = RESILIENT WALL BASE
 VCT = VINYL COMPOSITION TILE

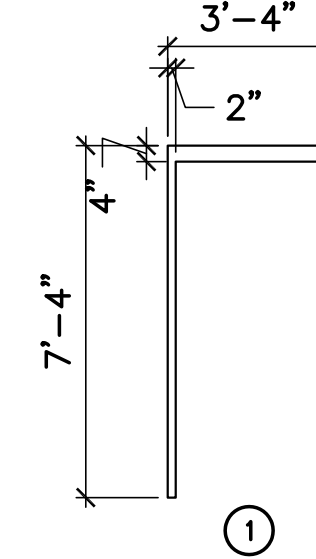
SCHEDULE NOTES

A. SEE INTERIOR ELEVATIONS ON SHEET AE101 FOR CERAMIC WALL TILE PATTERN, HEIGHT AND DIMENSIONS.

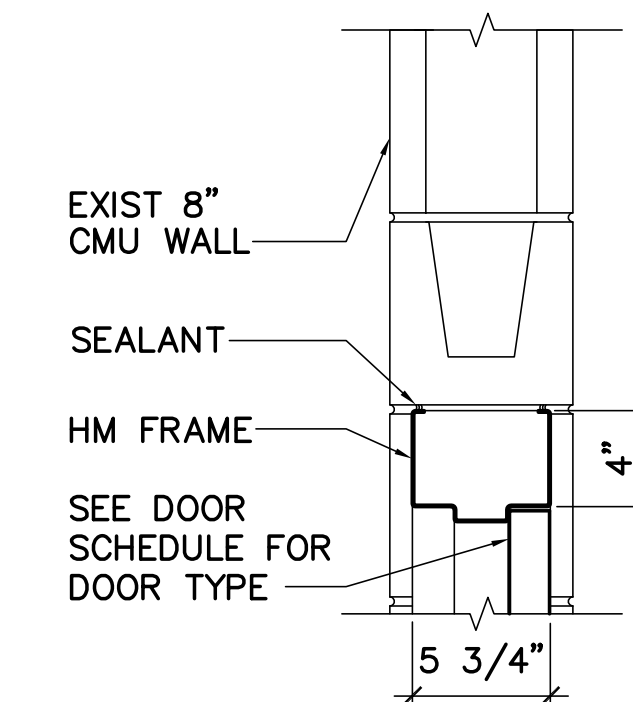
DOOR SCHEDULE													
NO.	SIZE	DOOR			HARDWARE SET	FRAME			DETAILS			FIRE RATING	NOTES
		TYPE	MAT	FINISH		TYPE	MAT	FINISH	HEAD	JAMB	SILL		
FIRST FLOOR													
141	EXIST	-	-	-	01	-	-	PNT	-	-	-	-	-
144	3'-0"x7'-0"x1-3/4"	A	WD	NAT	02	1	HM	PNT	1/AE640	2,3/AE640	-	-	-



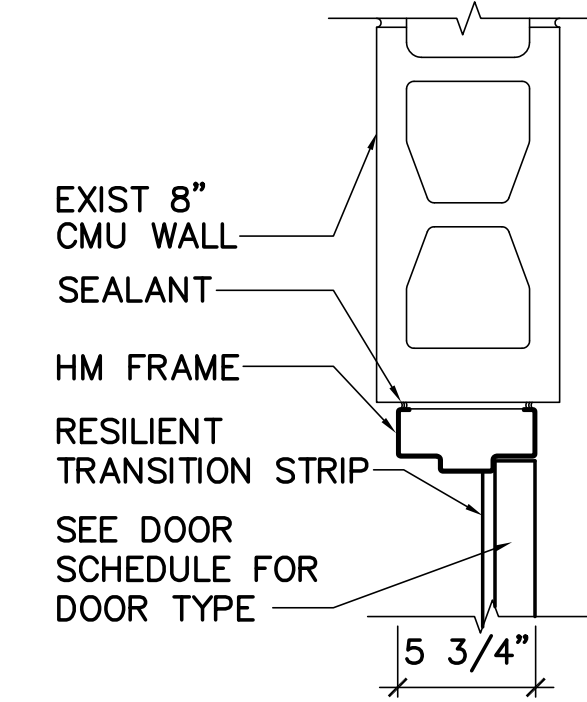
DOOR TYPES
SCALE: 1/4"=1'-0"



DOOR FRAME TYPES
SCALE: 1/4"=1'-0"

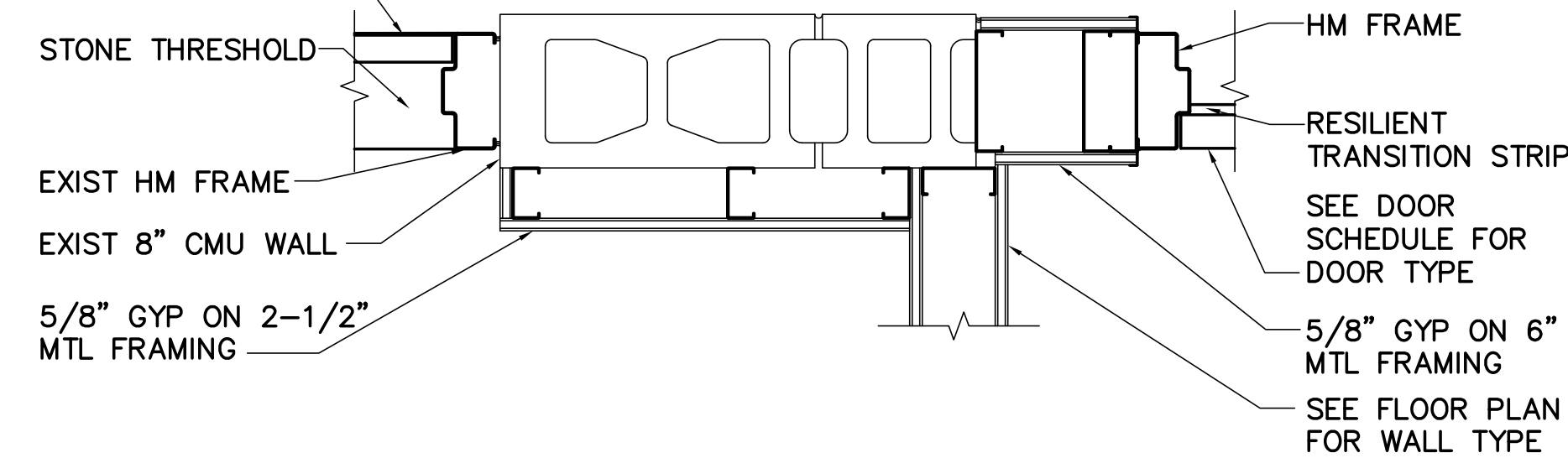


1 DOOR HEAD DETAIL
AE640 SCALE: 1-1/2"=1'-0"

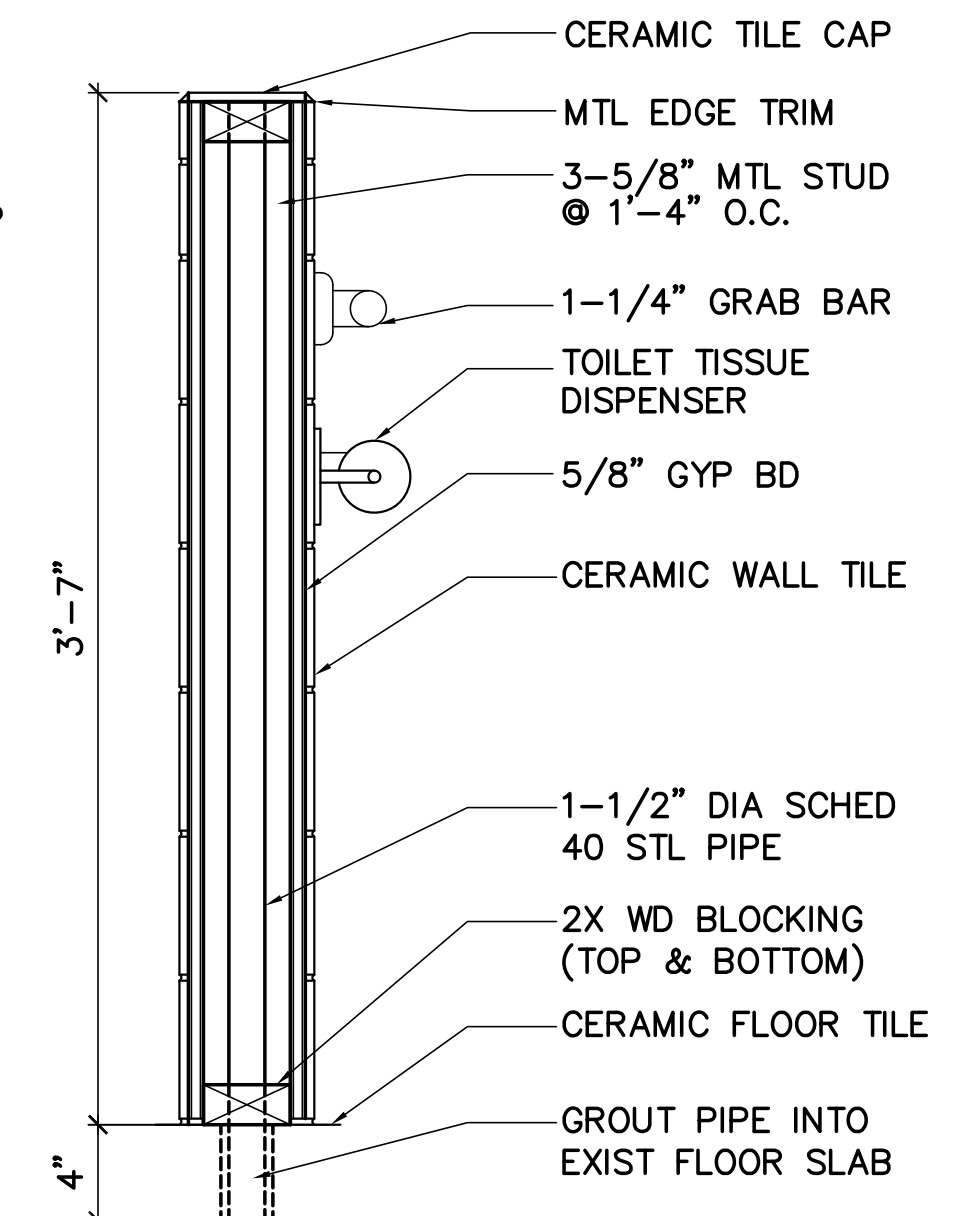


2 DOOR JAMB DETAIL
AE640 SCALE: 1-1/2"=1'-0"

EXIST DOOR, SEE DOOR SCHEDULE FOR DOOR HARDWARE

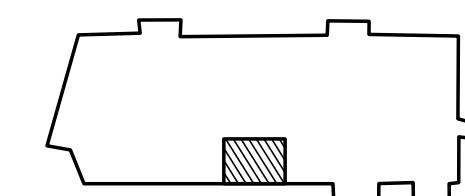


3 PLAN DETAIL
AE101/AE640 SCALE: 1-1/2"=1'-0"

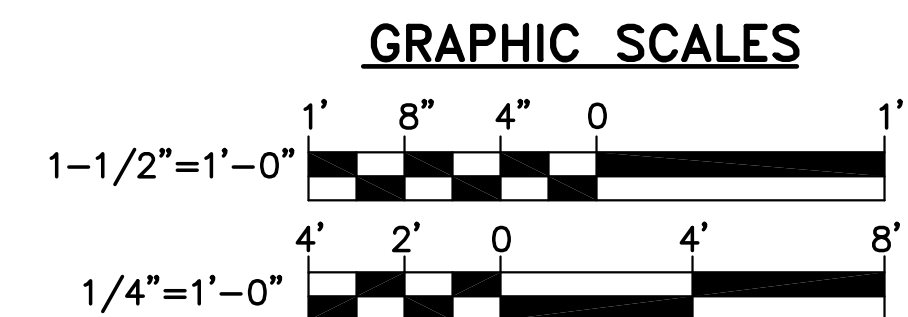


4 SECTION @ KNEE WALL
AE101/AE640 SCALE: 1-1/2"=1'-0"

PROVIDE BLOCKING AT WALL MOUNTED ITEMS



KEYPLAN
NOT TO SCALE
PLAN NORTH



CHECK GRAPHIC SCALE BEFORE USING



OAK POINT ASSOCIATES
 ARCHITECTURE ■ ENGINEERING ■ PLANNING
 85 Middle Street, Portsmouth, NH 03801 (T) 603.431.4849 (F) 603.431.1870
 www.oakpoint.com



DESIGNED BY: JMC
 DRAWN BY: CAM
 CHECKED BY: JMC
 PROJECT: 21702.09

UNIVERSITY OF SOUTHERN MAINE
 PORTLAND, MAINE

WOODBURY CAMPUS CENTER
 BATHROOM ADDITION
 Portland, Maine

FINISH SCHEDULE, DOOR SCHEDULE AND DETAILS

SCALE: AS NOTED
 DATE: 06-30-17

DWG.: AE640

SHEET: 5 OF 12