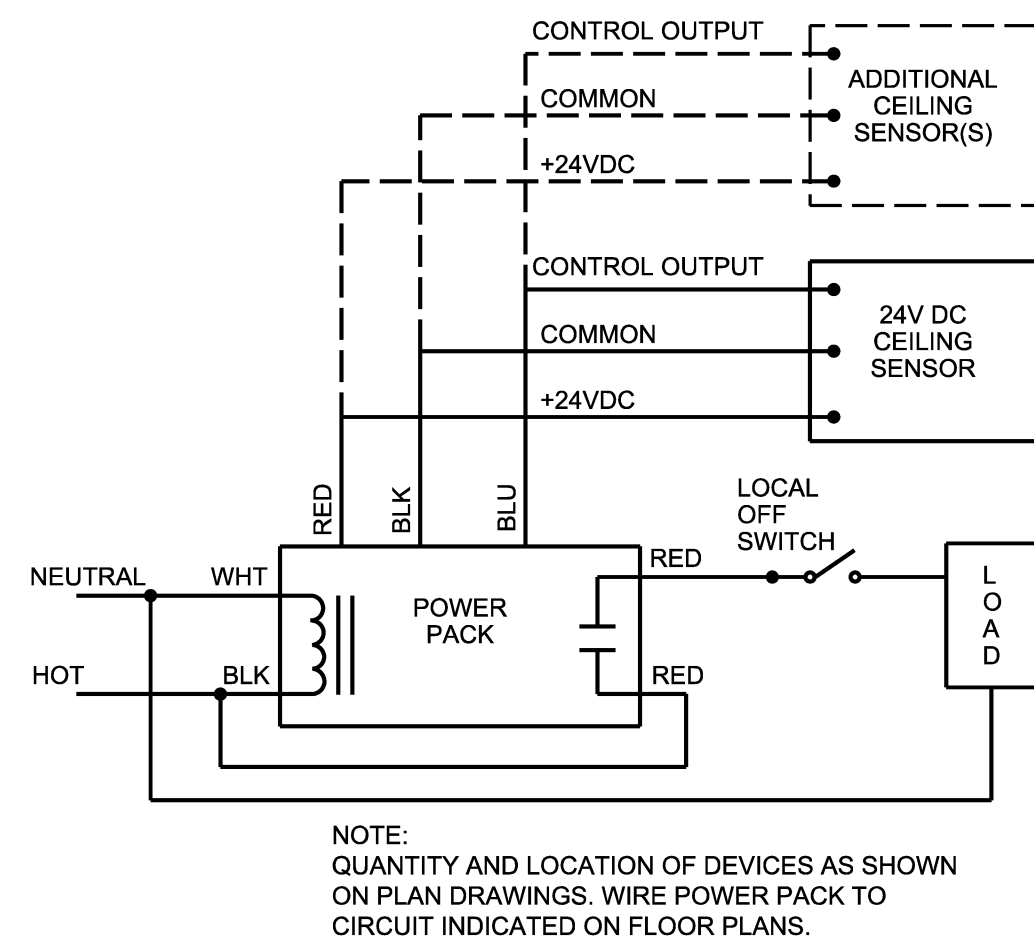


LIGHTING FIXTURE SCHEDULE

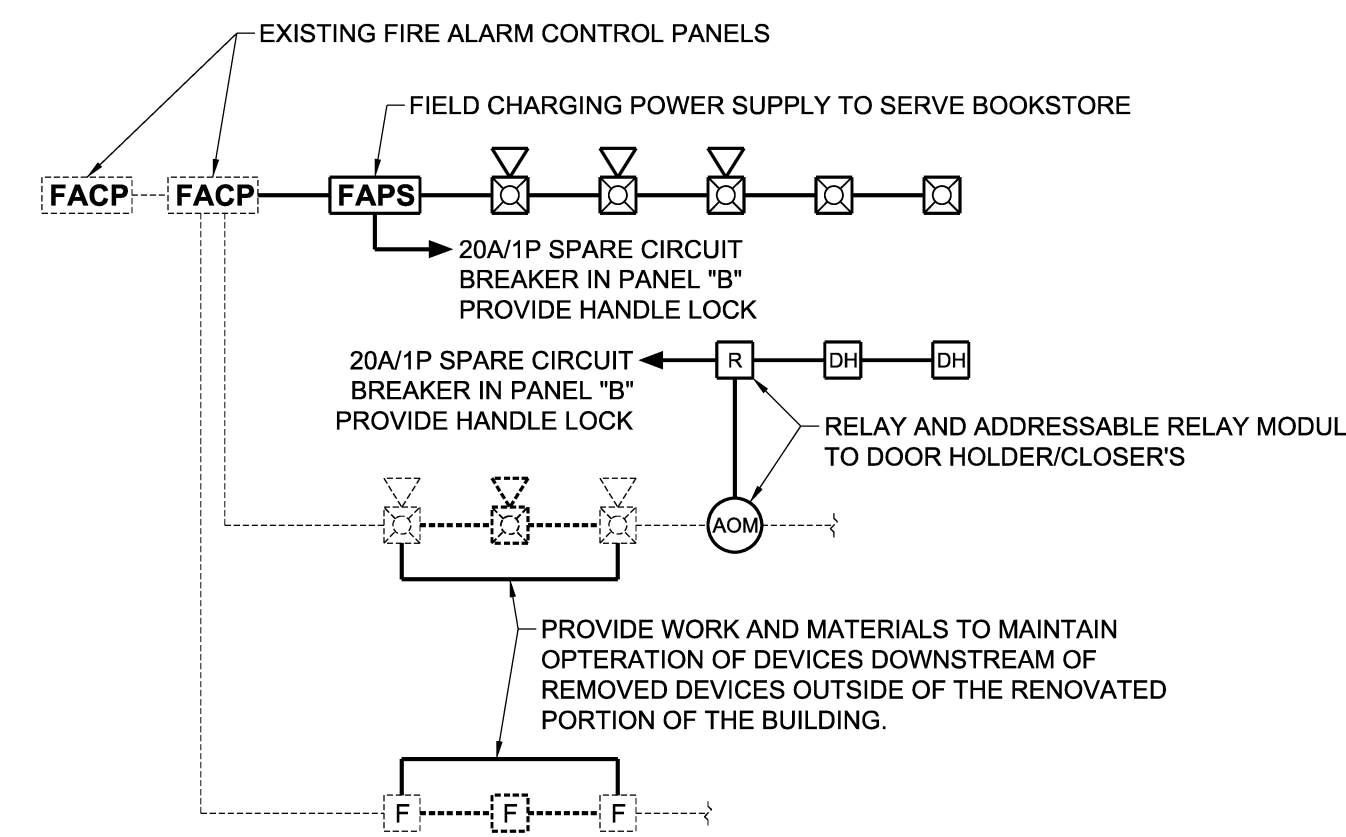
ALL FIXTURES SHALL BE FURNISHED COMPLETE WITH ALL HARDWARE
LAMPS, HANGERS, FITTINGS, ETC. FOR A COMPLETE AND PROPER INSTALLATION

TYPE	MANUFACTURER	CATALOG NO.	MTG.	VOLT	LAMPS			REMARKS/BALLAST INFORMATION
					NO.	WATT	TYPE	
A	MILK GLASS CLOCHE FILAMENT RH RESTORATION HARDWARE	DECORATIVE PENDANT WITH AGED STEEL FINISH	PENDANT	120	1	*	*	* = 40W SQUIRREL-CAGE FILAMENT BULB PROVIDE UNDER ALTERNATE #1.
B	METAL FILAMENT 7 1/2" DECORATIVE PENDANT WITH AGED STEEL FINISH RH RESTORATION HARDWARE		PENDANT	120	1	*	*	* = 40W SQUIRREL-CAGE FILAMENT BULB PROVIDE UNDER ALTERNATE #1.
C	LINE VOLTAGE MINIATURE TRACK SYSTEM WITH HEADS AND ACCESSORIES HALO	TRACK L850-P SERIES HEADS: L1730P	P	120	*	14	*1	* = ONE LAMP PER HEAD *1 = PROVIDE LED PAR30, 25 DEG, 3000K PROVIDE LENGTH OF TRACK AND NUMBER OF HEADS AS SHOWN ON DRAWINGS.
D	2x2 RECESSED LED FINELITE	HPR-A-2X2-DCO-LED-S0-3500K-120-SC-C1	R	120				37 INPUT WATTS PROVIDE UNDER ALTERNATE #1 WHERE INDICATED ON FLOOR PLANS.
E	6" 1500 LUMEN WIDE BEAM LED NON DIMMABLE DOWNLIGHT WITH WHITE FLANGE LIGHTOLIER	C6L1520-DL-39K-W-CL-W-C6L15-N-1 APPROVED EQUAL	R	120			27	27 INPUT WATTS
F	4" SLIM WALL MOUNT COLUMBIA	W4-232-EU	W	120	2		32	MOUNT UP 7'-0".

8 LIGHTING FIXTURE SCHEDULE
SCALE: NONE



5 OCCUPANCY SENSOR CONTROL DIAGRAM
SCALE: NONE



6 PARTIAL FIRE ALARM RISER
SCALE: NONE

B-NEW

VOLTAGE: 120/208 PH & WIRES: 3P 4W BUSES: 25S MAIN BREAKER: MLO AIC RATING: 22K AIC MOUNTING: FLUSH LOCATION: BACK OF HOUSE FEEDER: EXISTING

LOAD DESCRIPTION	AMP	W	D	W	WATTS	WATT LOADS			W	D	W	D	AMP	LOAD DESCRIPTION	
						PH A	PH B	PH C							
TUB 1 OF 1 - REMARKS:															
* HV #5	20	3	1	1	0	0	0	0	2	2	3	20		* HV #4	
	-	-	-	3	0	0	0	0	4	-	-	-			
	-	-	-	5	0	0	0	0	6	-	-	-			
* RM 010	20	1	7	7	0	0	0	0	8	8	1	15		* EF-16	
* RM 010	20	1	9	9	0	0	0	0	10	10	1	15		* HUH/TF OVERHEA WTR HTR	
* RM 010	20	1	11	11	0	0	0	0	12	12	1	20		* RM 016-020 TEXT MAGS AREA	
* RM 010	20	1	13	13	0	0	0	0	14	14	1	20		* RM 119 & GFI BATHROOM	
* RM 010	20	1	15	15	0	0	0	0	16	16	1	20		* RM 010	
* RM 016-020	20	1	17	17	0	0	0	0	18	18	1	20		* RM 010 CASH REG	
* RM 010	20	1	19	19	0	0	0	0	20	20	1	20		* RM 010 CASH REG	
* RM 16 EWC 118 WATER HTR	20	1	21	21	0	0	0	0	22	22	1	20		* RM 010 CASH REG	
* HAND DRYER	20	2	23	23	0	0	0	0	24	24	1	20		* RM 010 CASH REG	
	-	-	-	25	0	0	0	0	26	26	1	20		* RM 010 CASH REG	
* 20AMP COPY MACHINE	20	1	27	27	0	0	0	0	28	28	1	20		* RM 010 CASH REG	
* TELE POLE	20	1	29	29	0	0	0	0	30	30	1	20		* ESS ALARM	
	20	1	31	31	0	0	0	0	32	32	3	30		* HEAT PUMP	
* PHOTO COPIER	20	1	33	33	0	0	0	0	34	-	-	-			
* NEW OFFICE	20	1	35	35	0	0	0	0	36	-	-	-			
* COMPUTER	20	1	37	37	0	0	0	0	38	38	3	30		* HEAT PUMP	
* AS 400 COMPUTER	20	1	39	39	0	0	0	0	40	-	-	-			
* SERVER	20	1	41	41	0	0	0	0	42	-	-	-			
LTG - TRACK	20	1	43	43	700	900	0	0	200	44	44	1	20	RCPTS - BOOK DETECTOR	
LTG - TRACK	20	1	45	45	900	0	0	0	800	46	46	1	20	RCPTS - POS	
LTG - TRACK	20	1	47	47	750	0	0	0	1350	600	48	48	1	20	RCPTS - POS
LTG - ENTRY, POS & HV	20	1	49	49	1000	1400	0	0	400	50	50	1	20	RCPTS - POS	
LTG - CUST SERVICE & HV	20	1	51	51	1000	0	0	0	650	52	52	1	20	RCPTS - COOLER	
SPARE	20	1	53	53	0	0	0	0	800	800	54	54	1	20	RCPTS - SITTING
SPARE	20	1	55	55	0	600	0	0	600	56	56	1	20	RCPTS - CONVENIENT	
SPARE	20	1	57	57	0	400	0	0	400	58	58	1	20	RCPTS - WEB ORDERS	
SPARE	20	1	59	59	0	0	0	0	800	800	60	60	1	20	RCPTS - WEB ORDER/SERVICE
SPARE	20	1	61	61	0	600	0	0	600	62	62	1	20	RCPTS - CUSTOMER SERVICE	
SPARE	20	1	63	63	0	800	0	0	800	64	64	1	20	RCPTS - OFFICE	
SPARE	20	1	65	65	0	0	0	0	1400	1400	66	66	1	20	RCPTS - CONVENIENT
SPARE	20	1	67	67	0	200	0	0	200	68	68	1	20	RCPTS - TECH	
SPARE	20	1	69	69	0	200	0	0	200	70	70	1	20	RCPTS - TECH	
SPARE	20	1	71	71	0	0	0	0	0	72	72	1	20	SPARE	
TOTAL AMPS: 35.6						3700	4750	4350	TOTAL WATTS: 12600						

REMARKS: * = EXISTING CIRCUIT TO BE TERMINATED IN NEW PANEL "B".

12/30/2013

7 PANELBOARD SCHEDULE - NEW
SCALE: NONE

B

VOLTAGE: 120/208 PH & WIRES: 3P 4W BUSES: 25S MAIN BREAKER: MLO AIC RATING: SEE SPECS MOUNTING: FLUSH LOCATION: BACK OF HOUSE FEEDER: EXISTING

LOAD DESCRIPTION	AMP	W	D	W	WATTS	WATT LOADS			W	D	W	D	AMP	LOAD DESCRIPTION
						PH A	PH B	PH C						
TUB 1 OF 1 - REMARKS:														
HV #5	20	3	1	1	0	0	0	0	2	2	3	20		HV #4
	-	-	-	3	0	0	0	0	4	-	-	-		
	-	-	-	5	0	0	0	0	6	-	-	-		
RM 010	20	1	7	7	0	0	0	0	8	8	1	15		EF-16
RM 010	20	1	9	9	0	0	0	0	10	10	1	15		HUH/TF OVERHEA WATER HTR
RM 010	20	1	11	11	0	0	0	0	12	12	1	20		RM 016-020 TEXT MAGS AREA
RM 010	20	1	13	13	0	0	0	0	14	14	1	20		RM 119 & GFI BATHROOM
RM 010	20	1	15	15	0	0	0	0	16	16	1	20		RM 010
RM 016-020	20	1	17	17	0	0	0	0	18	18	1	20		RM 010 CASH REG
RM 010	20	1	19	19	0	0	0	0	20	20	1	20		RM 010 CASH REG
RM 16 EWC 118 WATER HTR	20	1	21	21	0	0	0	0	22	22	1	20		RM 010 CASH REG
HAND DRYER	20	2	23	23	0	0	0	0	24	24	1	20		RM 010 CASH REG
	-	-	-	25	0	0	0	0	26	26	1	20		RM 010 CASH REG
20AMP COPY MACHINE	20	1	27	27	0	0	0	0	28	28	1	20		RM 010 CASH REG
TELE POLE	20	1	29	29	0	0	0	0	30	30	1	20		ESS ALARM
SPARE	20	1	31	31	0	0	0	0	32	32	3	30		HEAT PUMP
PHOTO COPIER	20	1	33	33	0	0	0	0	34	-	-	-		
NEW OFFICE	20	1	35	35	0	0	0	0	36	-	-	-		
COMPUTER	20	1	37	37	0	0	0	0	38	38	3	30		HEAT PUMP
AS 400 COMPUTER	20	1	39	39	0	0	0	0	40	-	-	-		
SERVER	20	1	41	41	0	0	0	0	42	-	-	-		
TOTAL AMPS: 0						0	0	0	TOTAL WATTS: 0					

REMARKS: EXISTING SQUARE-D NO.08.

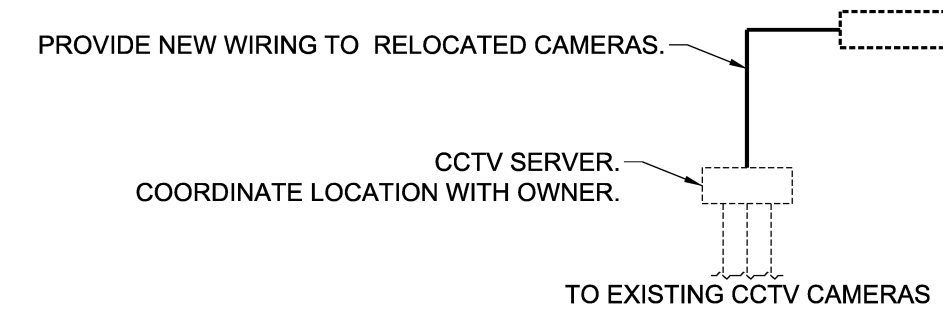
12/30/2013

3 PANELBOARD SCHEDULE - EXISTING
SCALE: NONE

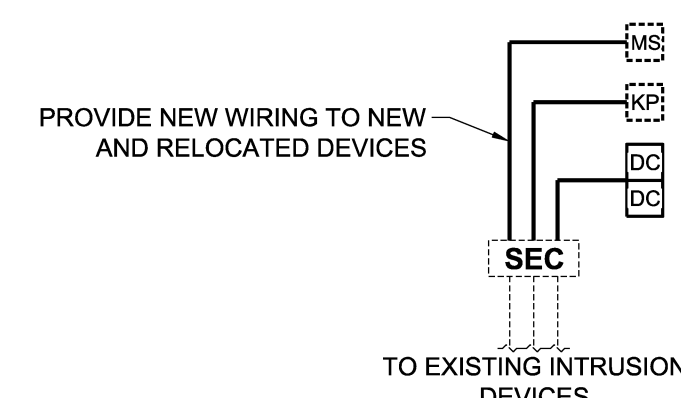
ELECTRICAL LEGEND

- LP-1,3 ←←← HHH
 HOMERUN TO PNLBRD - ARROWS INDICATE NUMBER OF CIRCUITS. CROSS LINES INDICATE NUMBER OF CONDUCTORS OTHER THAN TWO
- CIRCUIT NUMBER(S)
- PANEL DESIGNATION
- WIRING CONCEALED IN WALL OR CEILING
- WIRING IN RACEWAY CONCEALED UNDER FLOOR
- TRACK LIGHTING HEAD ON TRACK
- RECESSED DOWNLIGHT
- PENDANT LIGHTING FIXTURE
- RECESSED TROFFER
- ⌚
SINGLE POLE SWITCH - MOUNTED CIL UP 46" UNLESS NOTED OTHERWISE
- ⌚
THREE-WAY SWITCH - MOUNTED CIL UP 46" UNLESS NOTED OTHERWISE
- ⌚
FOUR-WAY SWITCH - MOUNTED CIL UP 46" UNLESS NOTED OTHERWISE
- ⌚
DIMMER SWITCH - MOUNTED CIL UP 46" UNLESS NOTED OTHERWISE
- ⌚
OCCUPANCY SENSOR AND POWER PACK - PROVIDE NUMBER OF POWER PACKS REQUIRED TO ALLOW FOR NUMBER OF OCCUPANCY SENSORS AND SWITCHING SHOWN - SEE DETAIL
- ⌚
DUPLX CONVENIENCE RECEPTACLE - MOUNT CIL UP 24" UNLESS NOTED OTHERWISE
- ⌚
DUPLX CONVENIENCE RECEPTACLE - MOUNT CIL UP 6" ABOVE COUNTER/BACKSPLASH UNLESS NOTED OTHERWISE
- ⌚
DOUBLE DUPLX CONVENIENCE RECEPTACLE - MOUNT CIL UP 24" UNLESS NOTED OTHERWISE
- ⌚
PROVISIONS FOR VOICE AND DATA OUTLET - JUNCTION BOX WITH SINGLE GANG RAISED RING/FACEPLATE AND TWO 1" CONDUIT TO ABOVE AN ACCESSIBLE CEILING - MOUNT UP SAME AS ASSOCIATED RECEPTACLE. FOR OWNER USE: SYMBOL INDICATES ONE VOICE DROP AND ONE DATA DROP.
- ⌚
PROVISIONS FOR DATA OUTLET - JUNCTION BOX WITH SINGLE GANG RAISED RING/FACEPLATE AND TWO 1" CONDUIT TO ABOVE AN ACCESSIBLE CEILING - MOUNT UP SAME AS ASSOCIATED RECEPTACLE. FOR OWNER USE: SYMBOL INDICATES ONE DATA DROP.
- ⌚
MOTOR
- ⌚
JUNCTION BOX
- ⌚
EMERGENCY LIGHTING BATTERY UNIT
- ⌚
REMOTE MOUNTED EMERGENCY LIGHTING UNIT
- ⌚
SELF-CONTAINED EXIT SIGN
- ⌚
FIRE ALARM SYSTEM PULL STATION
- ⌚
FIRE ALARM SYSTEM HORN/STROBE UNIT - CANDLE POWER (cd) PER NFPA 72 AND AS INDICATED - 15/75cd WHERE NOT OTHERWISE INDICATED ON PLANS - MOUNT BOTTOM OF STROBE UP 96"
- ⌚
FIRE ALARM SYSTEM STROBE UNIT - CANDLE POWER (cd) PER NFPA 72 AND AS INDICATED - 15/75cd WHERE NOT OTHERWISE INDICATED ON PLANS - MOUNT BOTTOM OF STROBE UP 96"
- ⌚
FIRE ALARM SYSTEM BELL
- ⌚
FIRE ALARM SYSTEM DUCT SMOKE DETECTOR
- ⌚
ELECTRIC DOOR HOLDER/CLOSER - COORDINATE WITH DOOR HARDWARE. PROVIDE 120V FROM PANEL "B" AS REQUIRED.
- ⌚
INTRUSION DETECTION SYSTEM SYSTEM CONTROL PANEL
- ⌚
INTRUSION DETECTION SYSTEM MOTION SENSOR
- ⌚
INTRUSION DETECTION SYSTEM DOOR CONTACT
- ⌚
INTRUSION DETECTION SYSTEM KEY PAD
- ⌚
PROVISIONS FOR CCTV CAMERA
- ⌚
DISCONNECT SWITCH
- ⌚
NEW PANELBOARD
- ⌚
EXISTING PANELBOARD

2 ELECTRICAL LEGEND
SCALE: NONE



4 INTRUSION DETECTION SYSTEM RISER
SCALE: NONE



1 INTRUSION DETECTION SYSTEM RISER
SCALE: NONE

HARRIMAN

AUBURN PORTLAND MANCHESTER

UNIVERSITY OF
SOUTHERN MAINE
WOODBURY CAMPUS
CENTER
BOOKSTORE
RENOVATIONS
PORTLAND, ME

Harriman Project No. 13659

Key Plan

North

Proj North

Issues and Revisions

Mark	Date	Description
--	12-18-13	FINAL REVIEW
--	01-03-14	OWNER REVIEW
--	01-10-14	ISSUED FOR BID

Drawing Scales

PA / PE: JWT © 2014
Drawn By: JMB Harriman Associates

ELECTRICAL LEGEND,
PANELBOARD AND LIGHTING
FIXTURE SCHEDULE

E00.1