



HARRIMAN

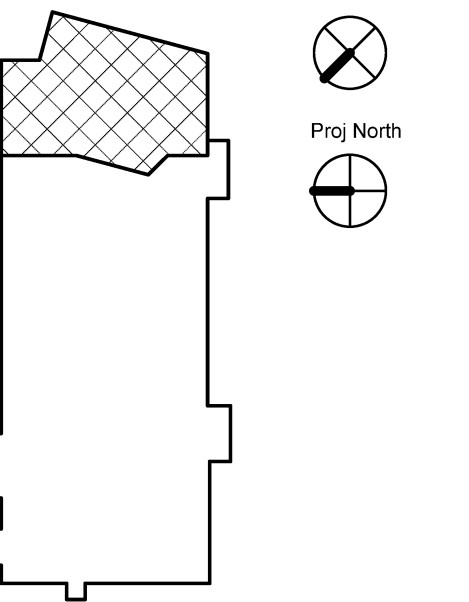
AUBURN PORTLAND MANCHESTER

UNIVERSITY OF SOUTHERN MAINE
WOODBURY CAMPUS
CENTER
BOOKSTORE
RENOVATIONS

PORTLAND, ME

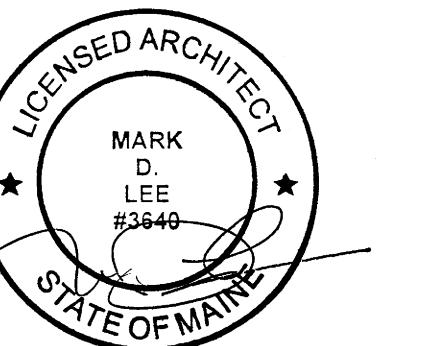
Harriman Project No. 13859

Key Plan True North



Issues and Revisions

Mark	Date	Description
-	01-03-14	OWNER REVIEW
--	01-10-14	ISSUED FOR BID



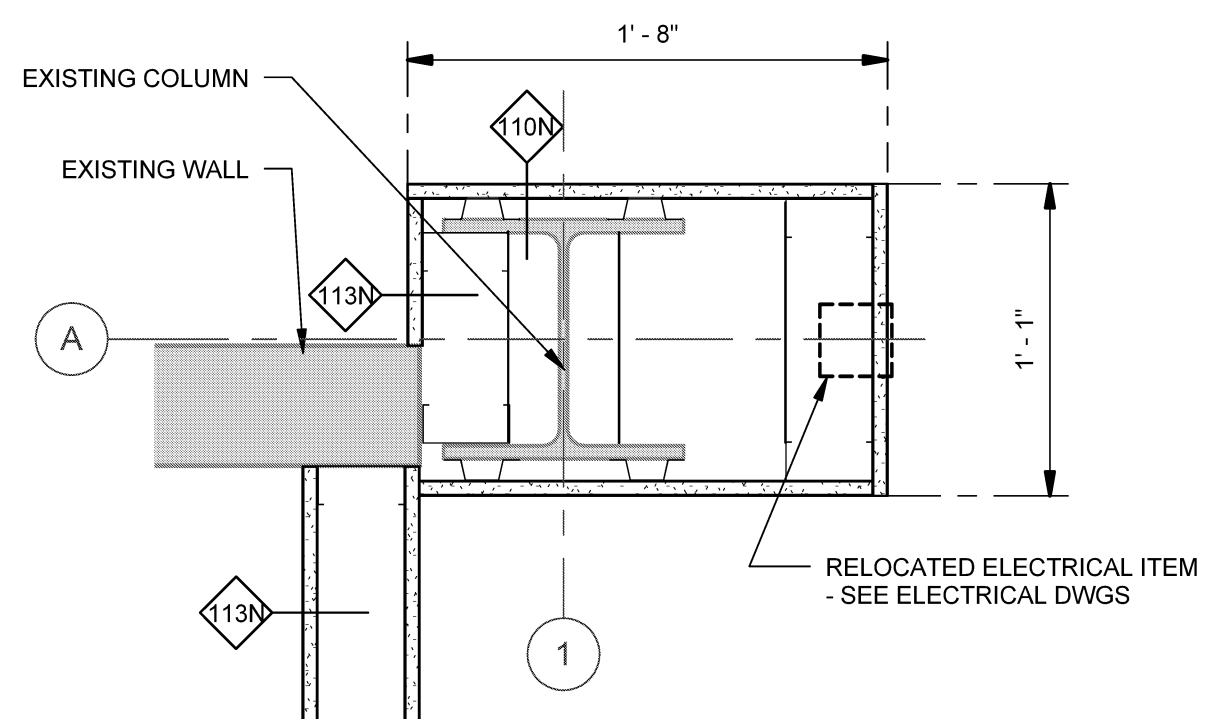
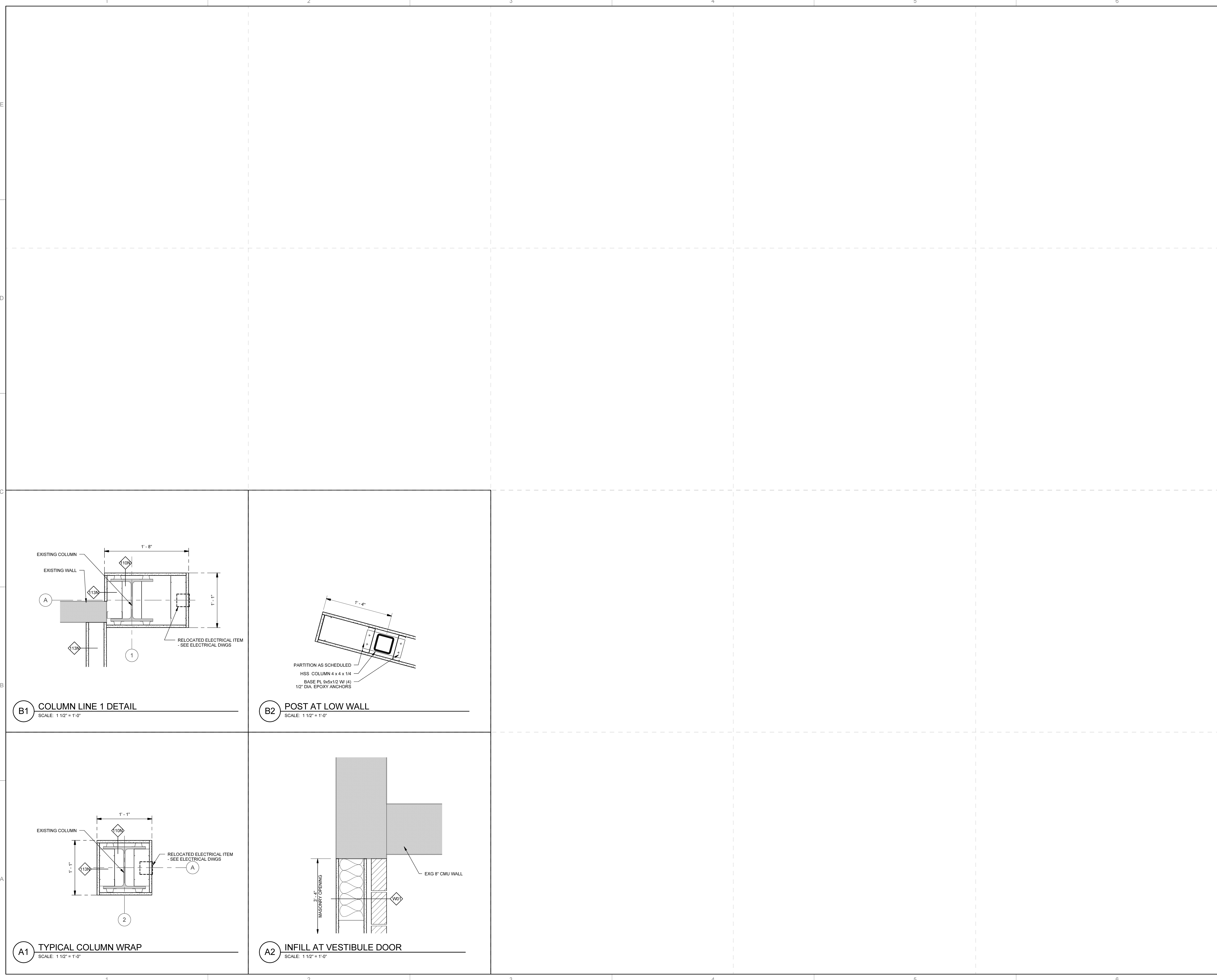
Drawing Scales

1 1/2" = 1'-0"	-
----------------	---

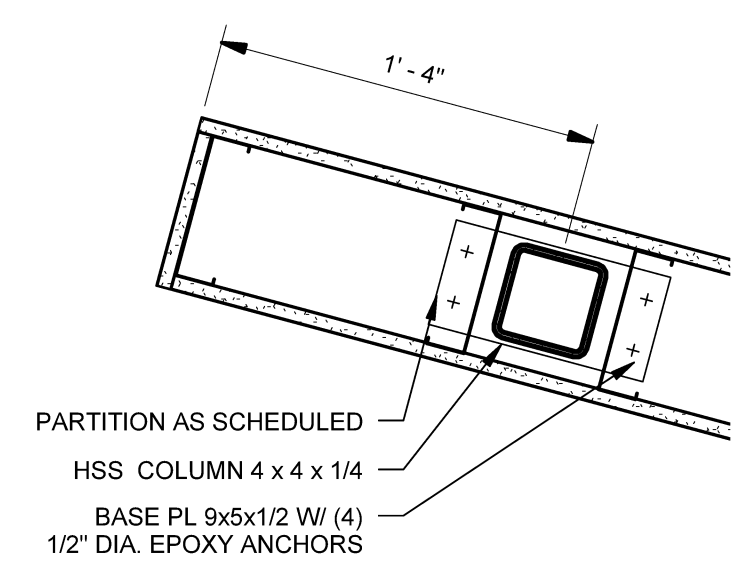
PA/PE: Designer © 2014
Drawn By: Author Harriman Associates

DETAILS

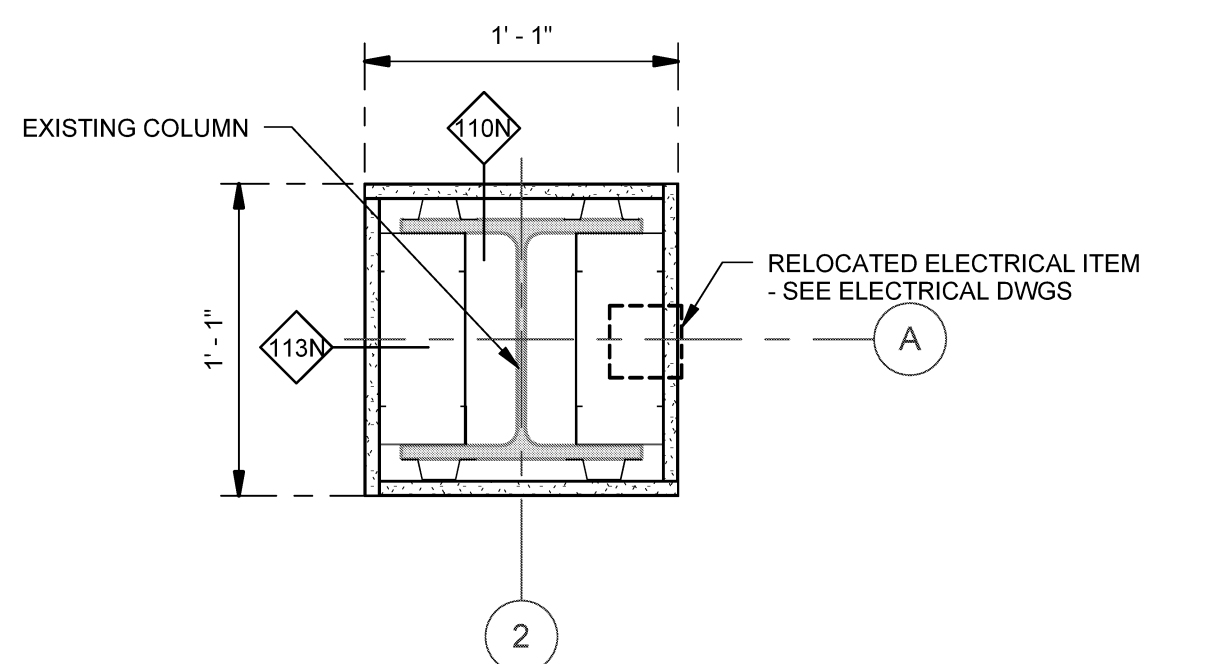
A50.2



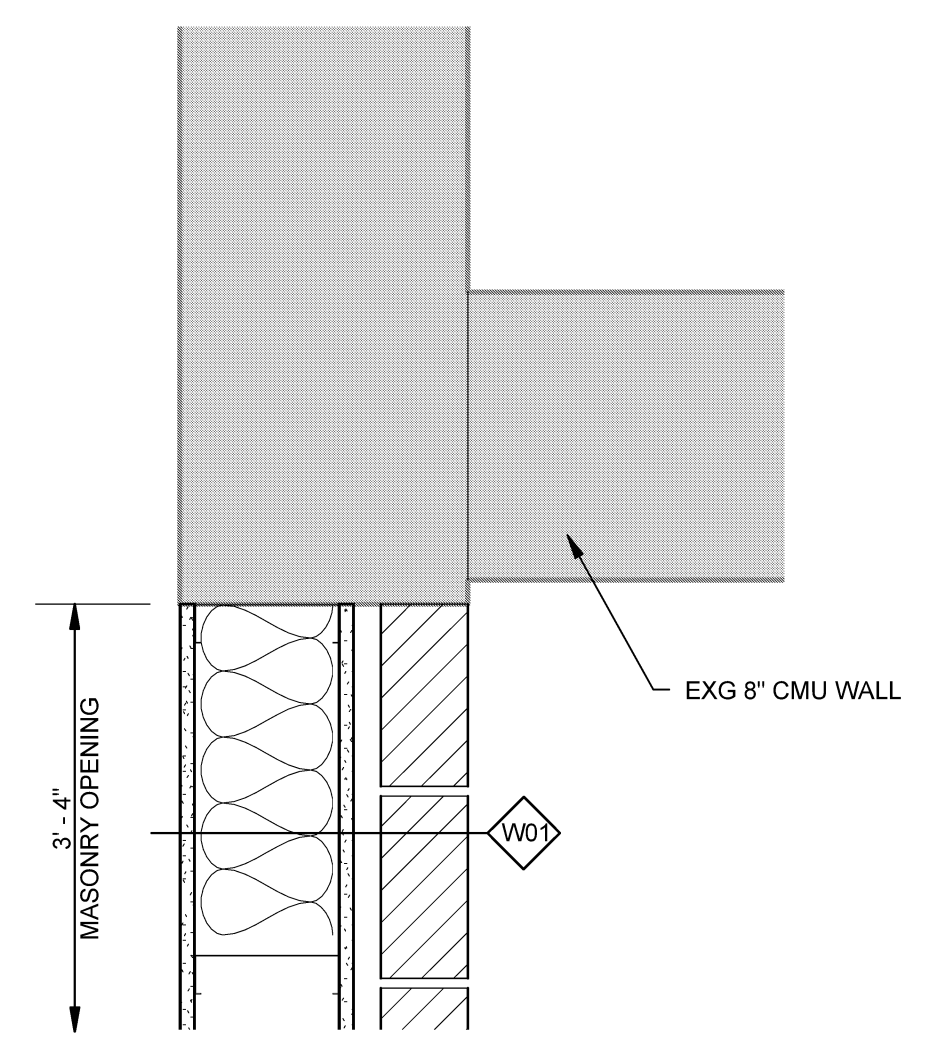
B1 COLUMN LINE 1 DETAIL
SCALE: 1 1/2" = 1'-0"



B2 POST AT LOW WALL
SCALE: 1 1/2" = 1'-0"



A1 TYPICAL COLUMN WRAP
SCALE: 1 1/2" = 1'-0"



A2 INFILL AT VESTIBULE DOOR
SCALE: 1 1/2" = 1'-0"