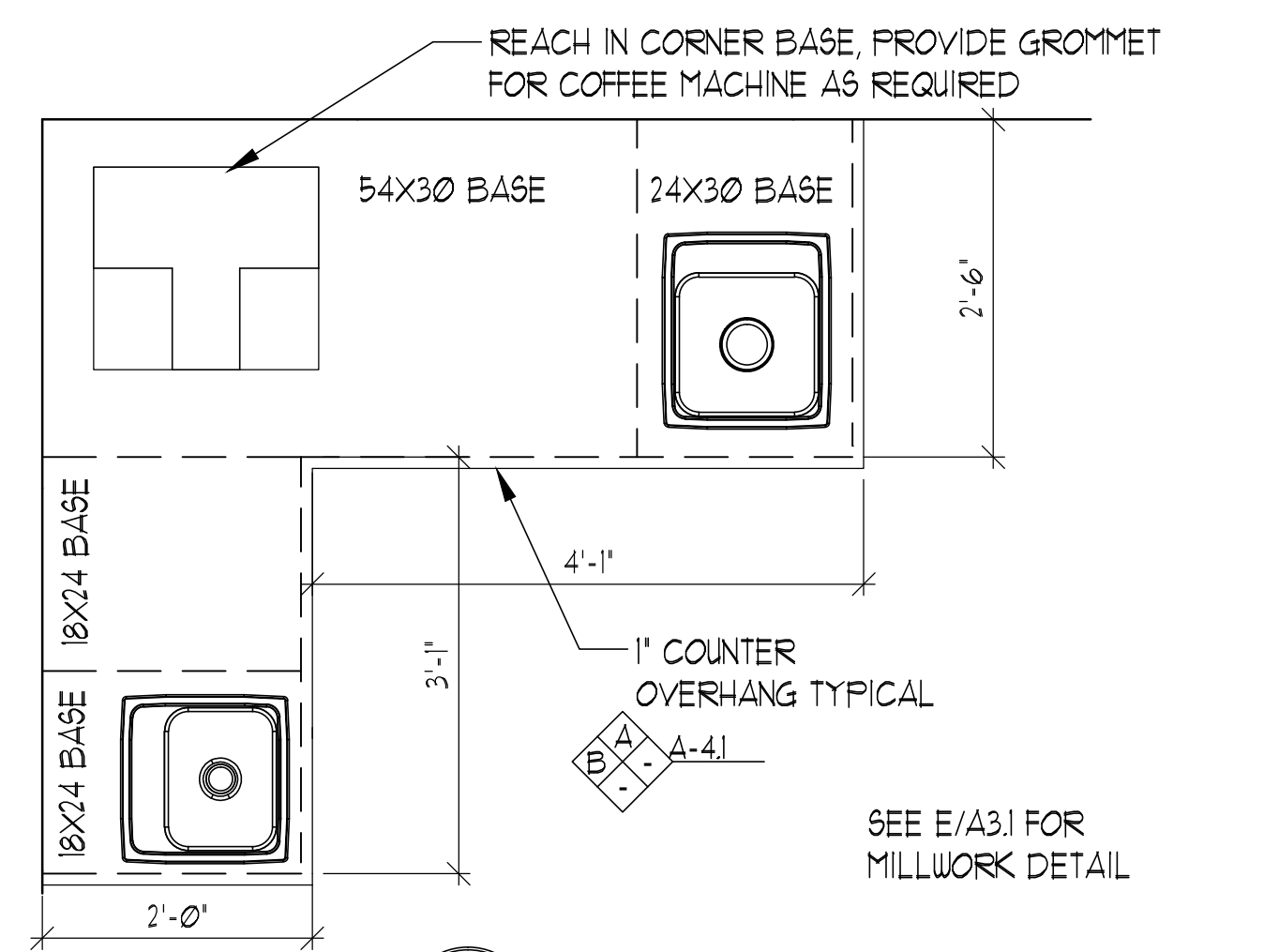
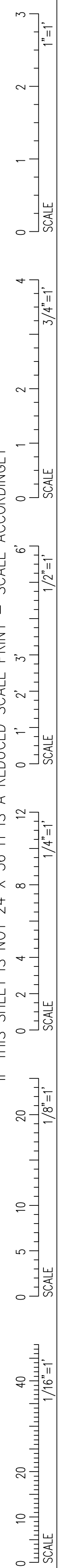
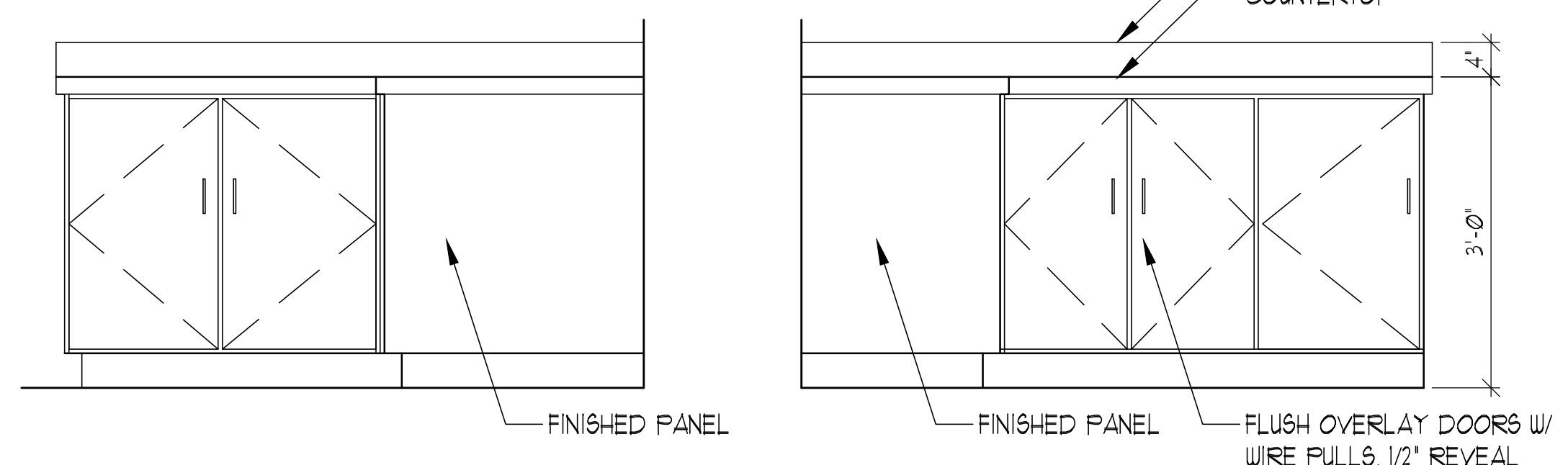


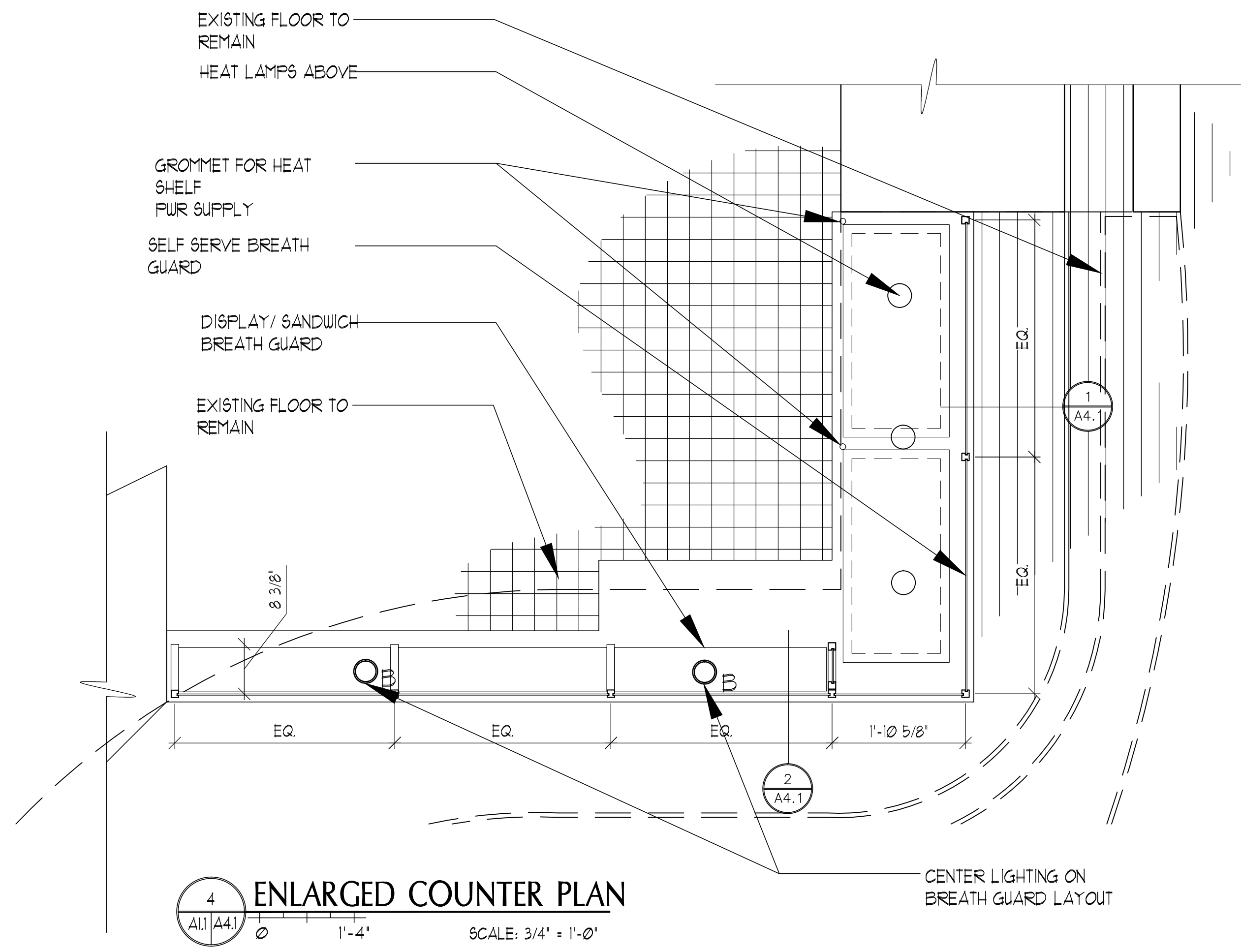
IF THIS SHEET IS NOT 24 X 36 IT IS A REDUCED SCALE PRINT - SCALE ACCORDINGLY



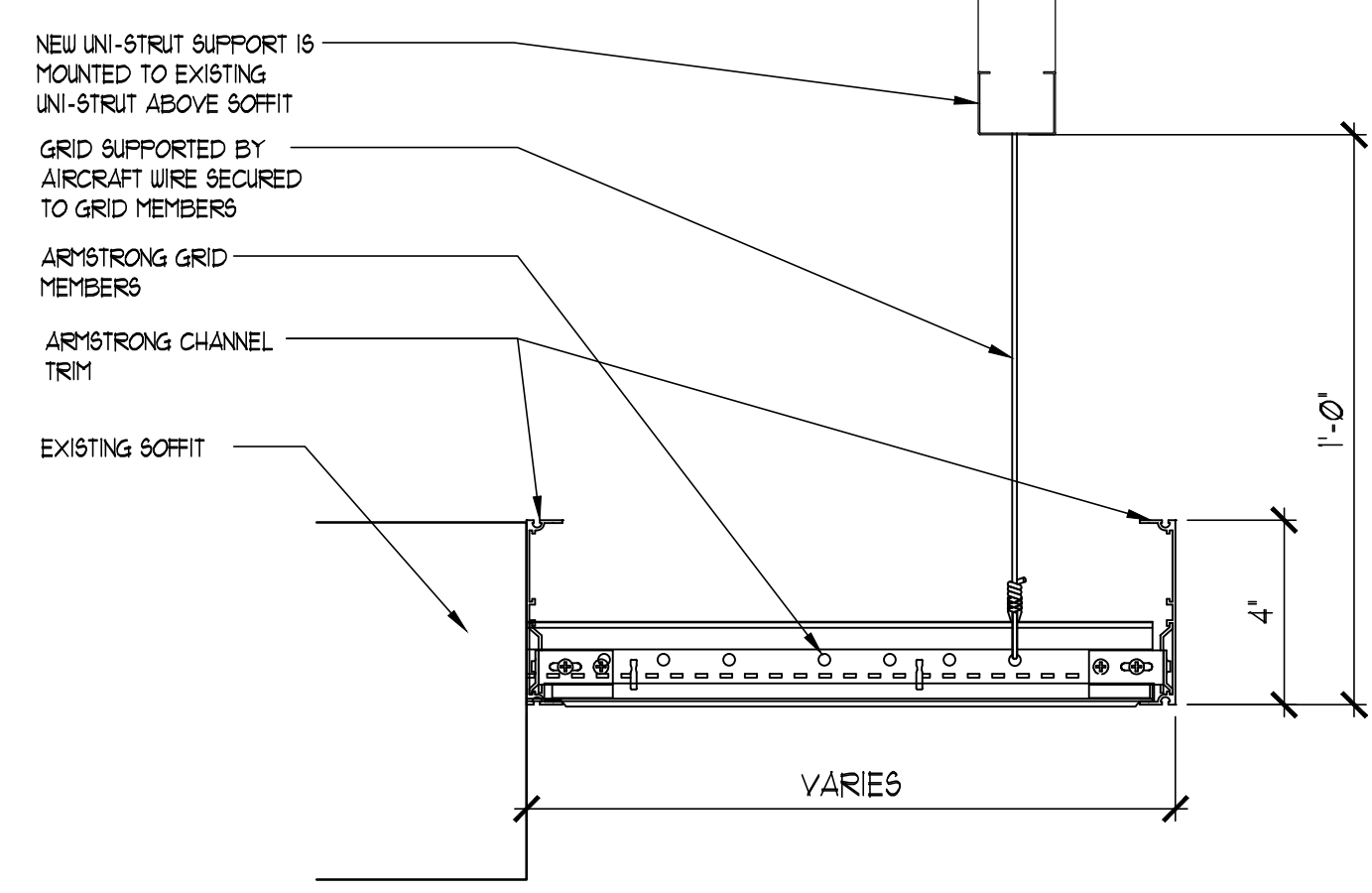
5 MILLWORK PLAN
SCALE: 3/4" = 1'-0"



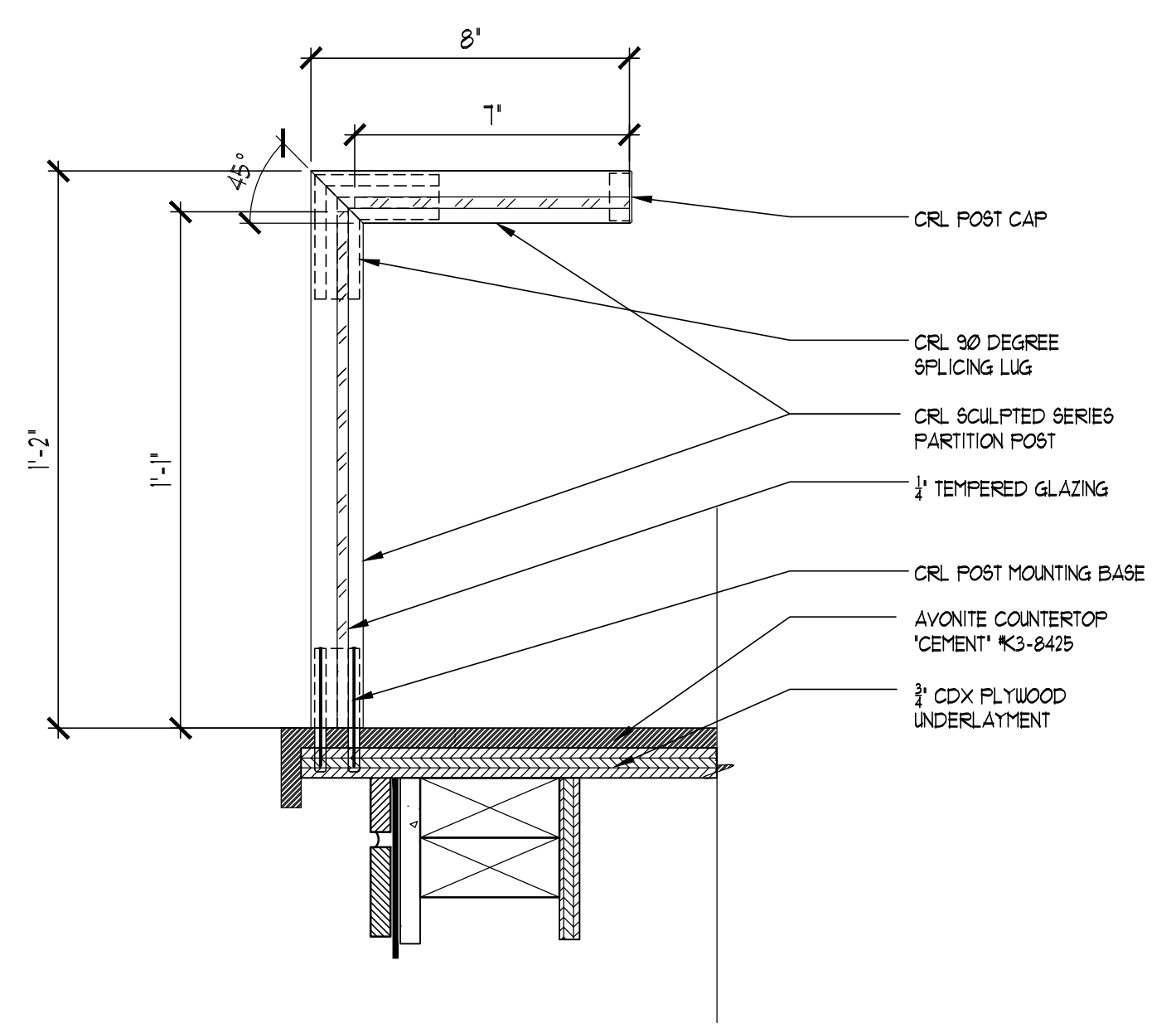
B CABINET ELEVATION SCALE: 3/4" = 1'-0"
A CABINET ELEVATION SCALE: 3/4" = 1'-0"



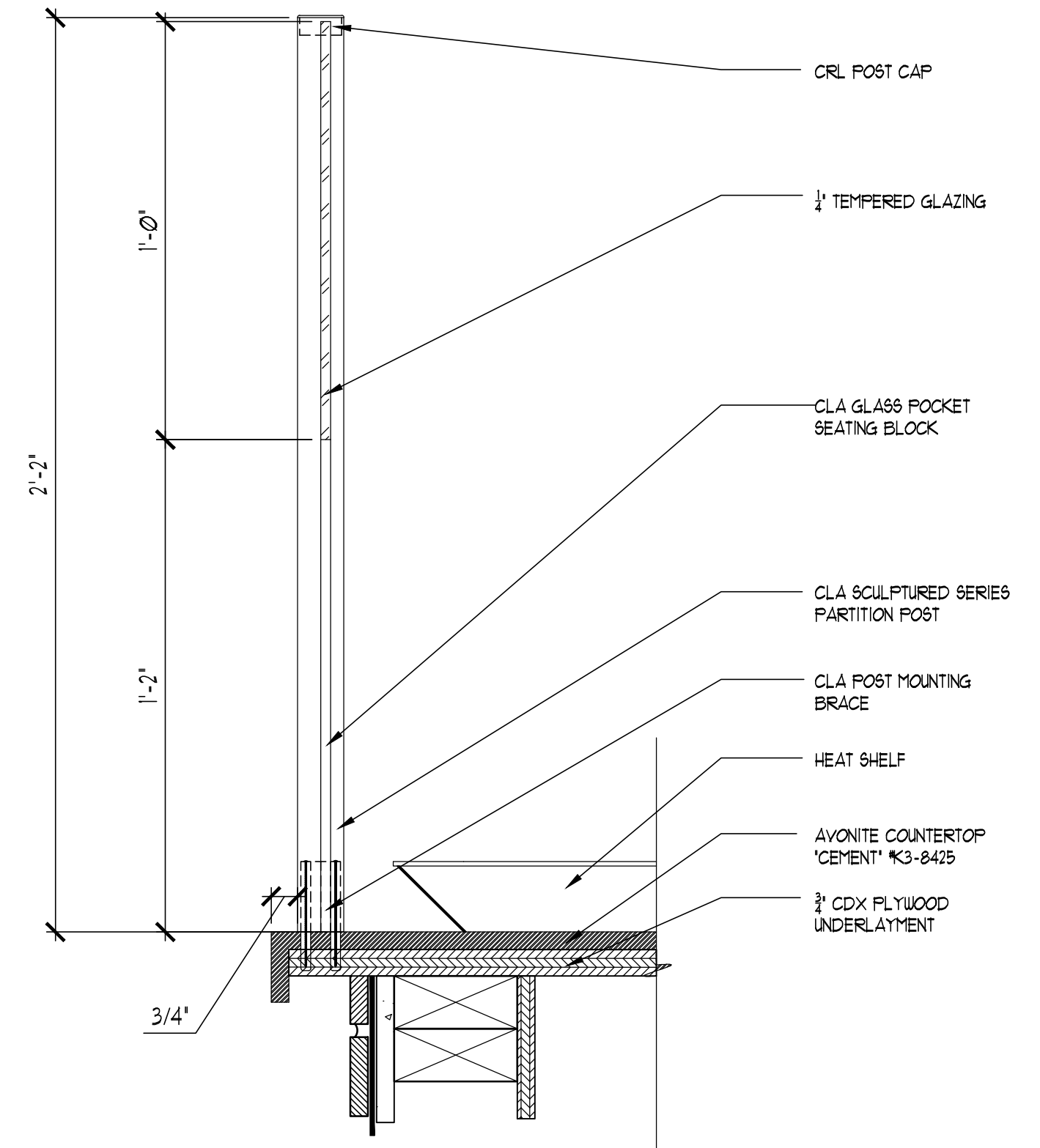
4 ENLARGED COUNTER PLAN
SCALE: 3/4" = 1'-0"



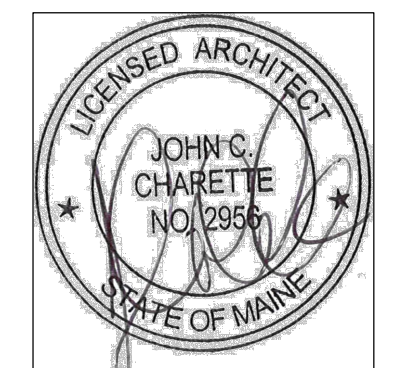
3 CEILING GRID DETAIL
SCALE: 3" = 1'-0"



2 DISPLAY BREATH GUARD DETAIL
SCALE: 3" = 1'-0"



1 SELF SERVE BREATH GAURD DETAIL
SCALE: 3" = 1'-0"



#	DATE	DESCRIPTION
REVISIONS		
	Date Issued	08/06/13
	Project Number	13302
	Drawing Scale	AS NOTED
	SHEET NAME	

DETAILS

Drawn By
JCC
Checked By
JCC

A4.1