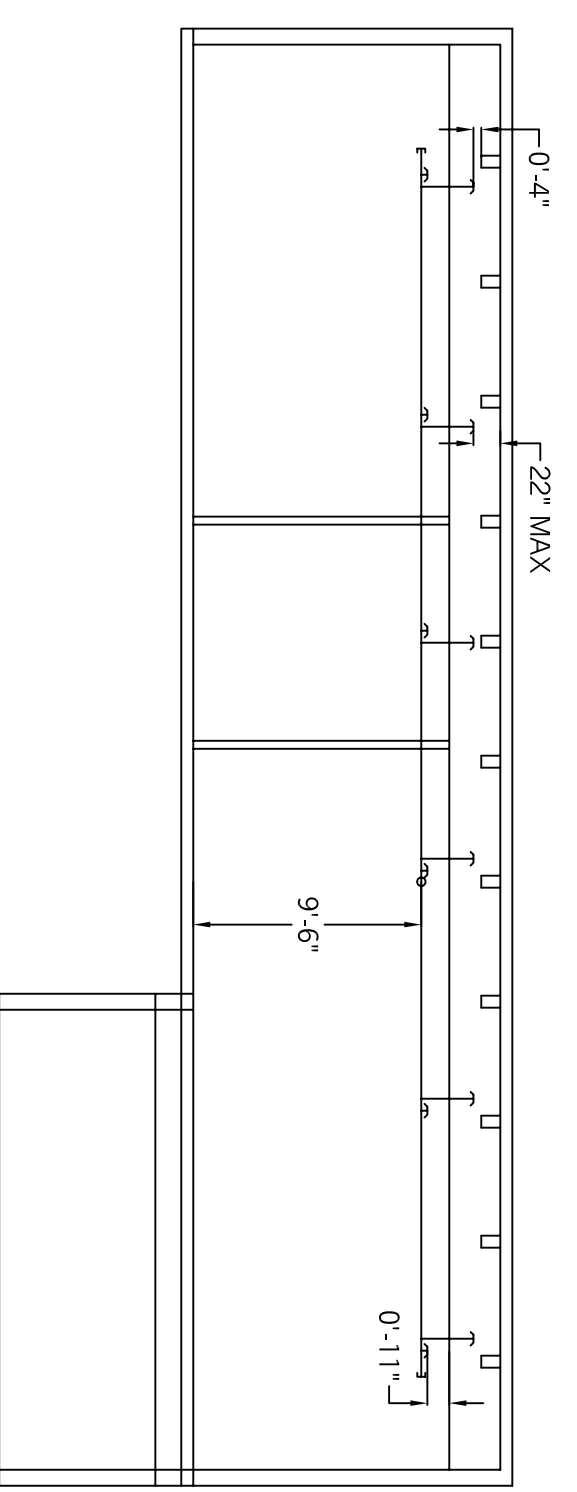
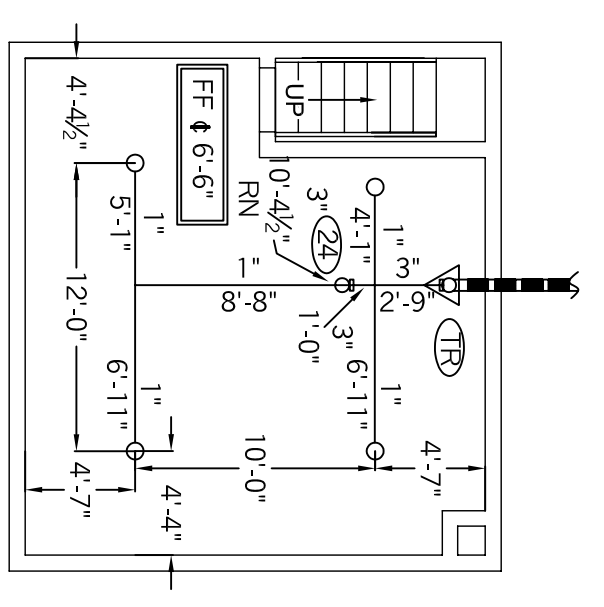
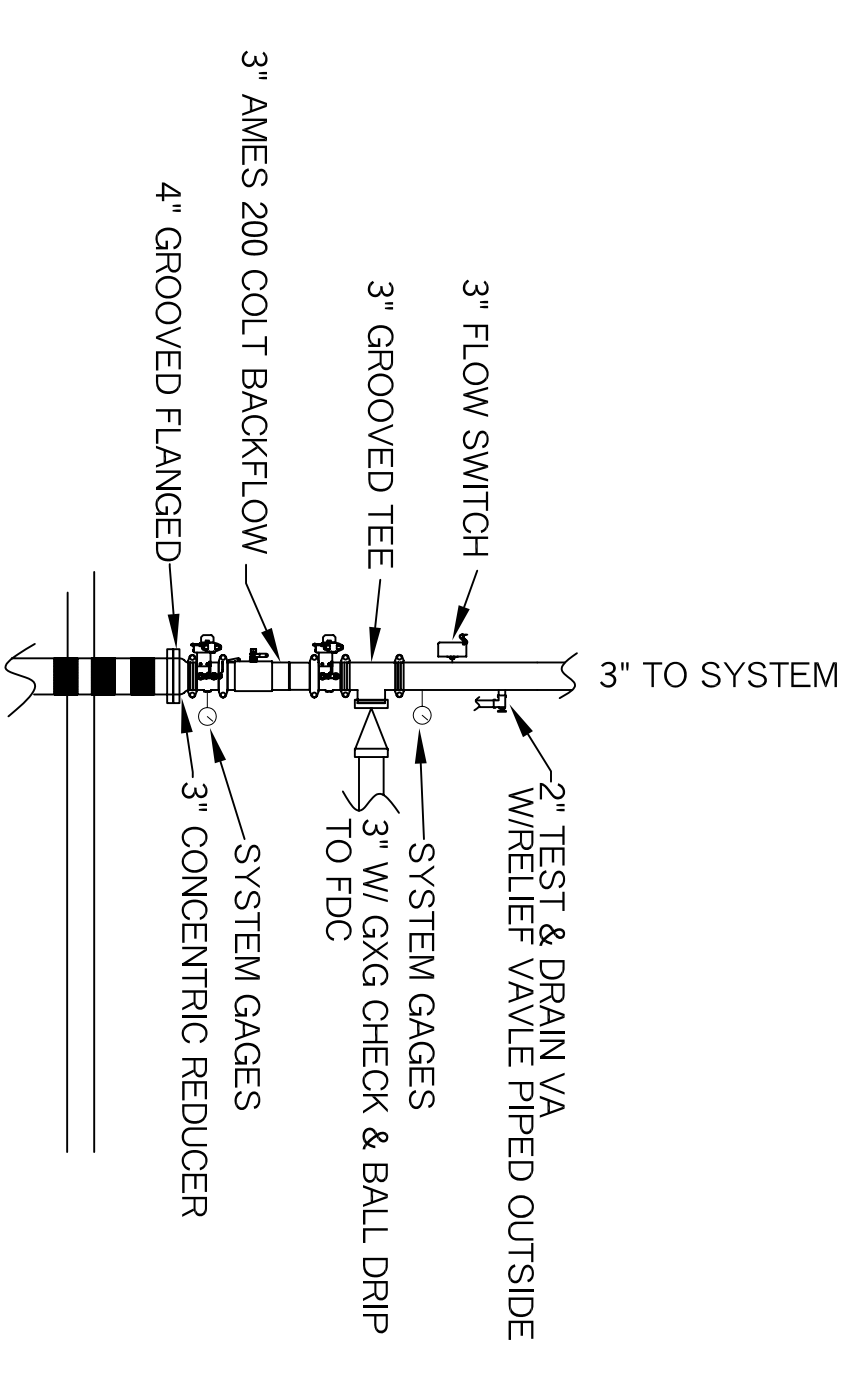


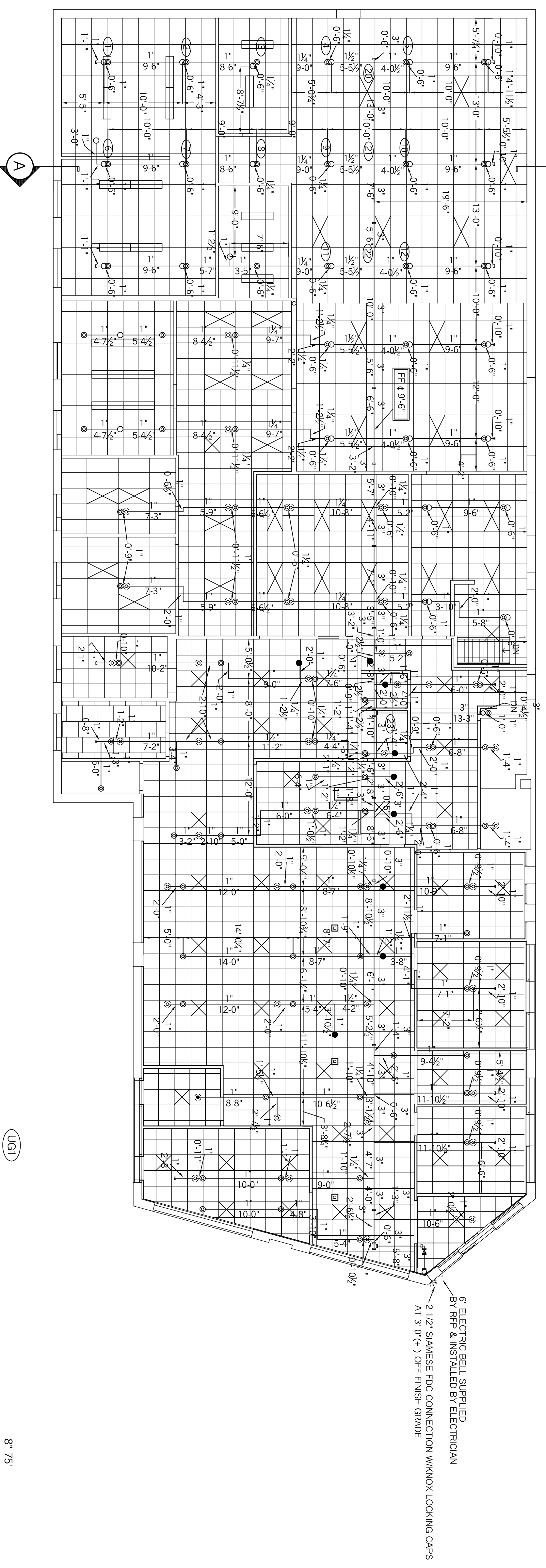
SAMMY SUPER SCREWS WITH METAL BAND HANGERS TO HANG STEEL PIPING



CROSS SECTION A-A



MAIN RISER DETAIL  
NOT TO SCALE



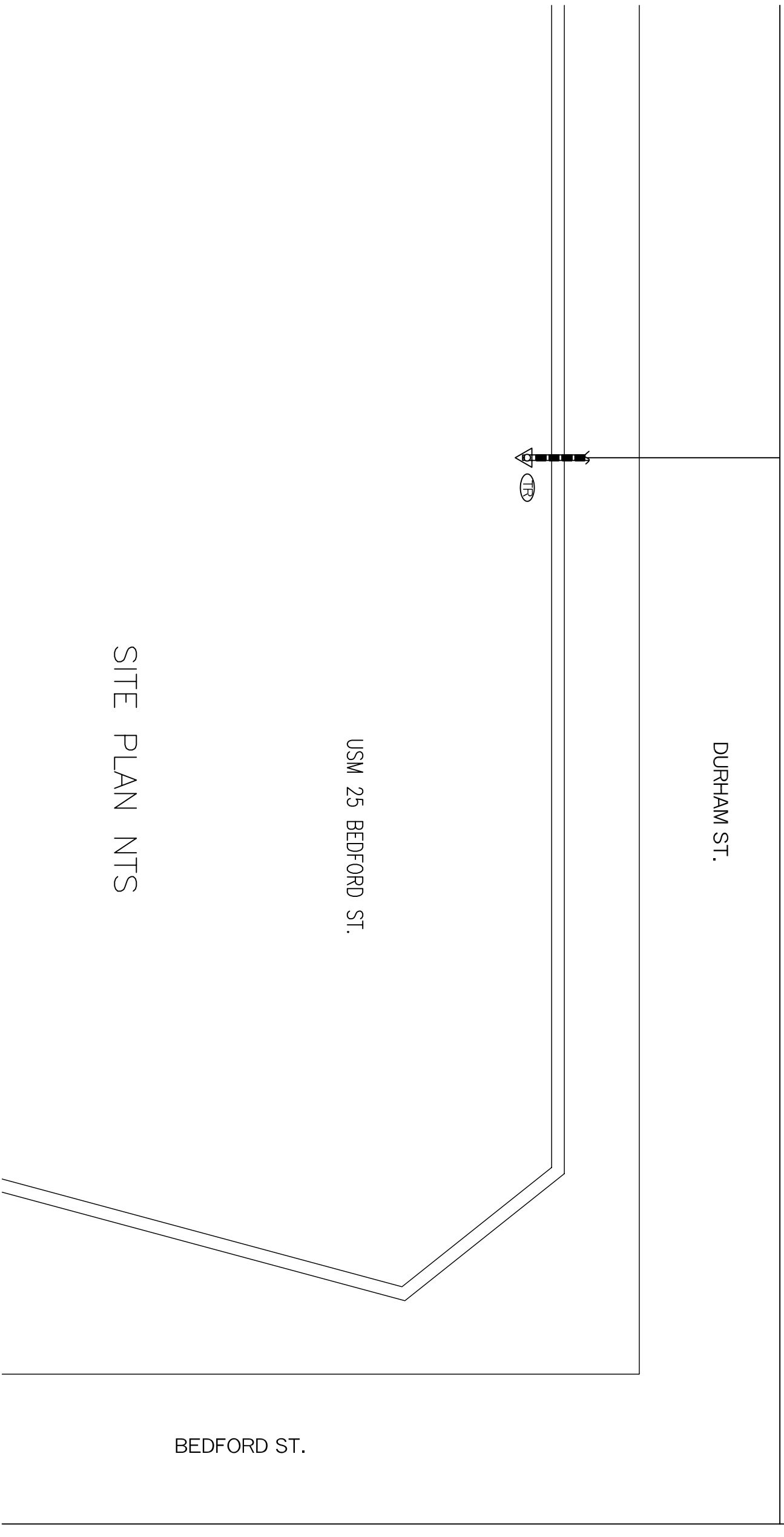
HYDRAULIC DATA:  
ABOVE CEILING  
BASIS OF DESIGN (NFPA 13)  
DENSITY AREA OF COVERAGE  
1500 SOFT  
TOTAL THREAD TEMP  
12 1/2" 200  
SYSTEM DEMAND AT BASE OF RISER:  
PRESSURE FLOW HOSE  
39.060 307.163 100  
SAFETY MARGIN: 63.373  
OCCUPANCY: UNINHABITED

HYDRAULIC DATA:  
MAINTENANCE SHOP  
BASIS OF DESIGN (NFPA 13)  
DENSITY AREA OF COVERAGE  
1500 SOFT  
TOTAL THREAD TEMP  
12 1/2" 155  
SYSTEM DEMAND AT PUMP OUTLET:  
PRESSURE FLOW HOSE  
92.273 629.882 250  
SAFETY MARGIN: 5.807  
OCCUPANCY: MAINTENANCE SHOP

LEGEND

- ▷ 155F OR 1/2" WHITE SIDEWALL
- 155F 1/2 BRASS PENDENT
- 155F 1/2 BRASS UPRIGHT
- ⊙ 200F 1/2 BRASS UPRIGHT (SPRIG)
- ⊗ 155F OR 1/2" WHITE RECESSED PENDENT
- ⊙ 200F OR 1/2" BRASS UPRIGHT
- HANGER
- RISE OR DROP NIPPLE
- VICTAULIC COUPLING

SITE PLAN NTS



WATER SUPPLY INFO

STATIC = 104 PSI  
RESIDUAL = 20 PSI  
FLOW = 2642 GPM  
DATE = 08-23-2007  
TYPE = TWO HYDRANT  
LOCATION = RT 302 AND BEDFORD  
SOURCE = PORTLAND WATER DIST.

- 9 VICTAULIC V2704 OR BRASS UPRIGHTS 1/2 X 1/2" K=5.6
- 35 VICTAULIC V2704 OR BRASS UPRIGHTS 1/2 X 1/2" K=5.6
- ⊙ 89 VICTAULIC V2704 OR BRASS UPRIGHTS (SPRIGS) 1/2 X 1/2" K=5.6
- ⊗ 1 VICTAULIC V2708 OR WHITE RECESSED PENDENTS 1/2 X 1/2" K=5.6
- ⊙ 43 VICTAULIC V2740 RESIDENTIAL WHITE RECESSED PENDENTS 1/2 X 1/2" K=4.9

SYSTEM DESIGN

A WET PIPE SYSTEM OF AUTOMATIC SPRINKLERS TO BE DESIGNED AND INSTALLED PER NFPA 13  
ALL SPRINKLERS IN OFFICES TO BE BASED ON LIGHT HAZARD  
ALL SPRINKLERS IN WORKSHOP TO BE BASED ON ORD II HAZARD

USM 25 BEDFORD ST  
25 BEDFORD ST.  
PORTLAND, MAINE

RESIDENTIAL FIRE PROTECTION, LLC  
PHONE (603) 946-3473 FAX (603) 946-3474  
64 DAGGETT HILL ROAD GREENE, MAINE 04236

REVISION NUMBER	DATE	SUBMITTED BY	DATE	APPROVED BY	SCALE
1	05-29-12	STANLEY J. CAMIC	05-29-12	STANLEY J. CAMIC	1/8" = 1'-0" U/N
2	06-21-12	NICET III	06-21-12	NICET III	1/8" = 1'-0" U/N

STANLEY J. CAMIC  
NICET III - #78855  
SHEET NO. 1 OF 1