



HARRIMAN

AUBURN PORTLAND MANCHESTER

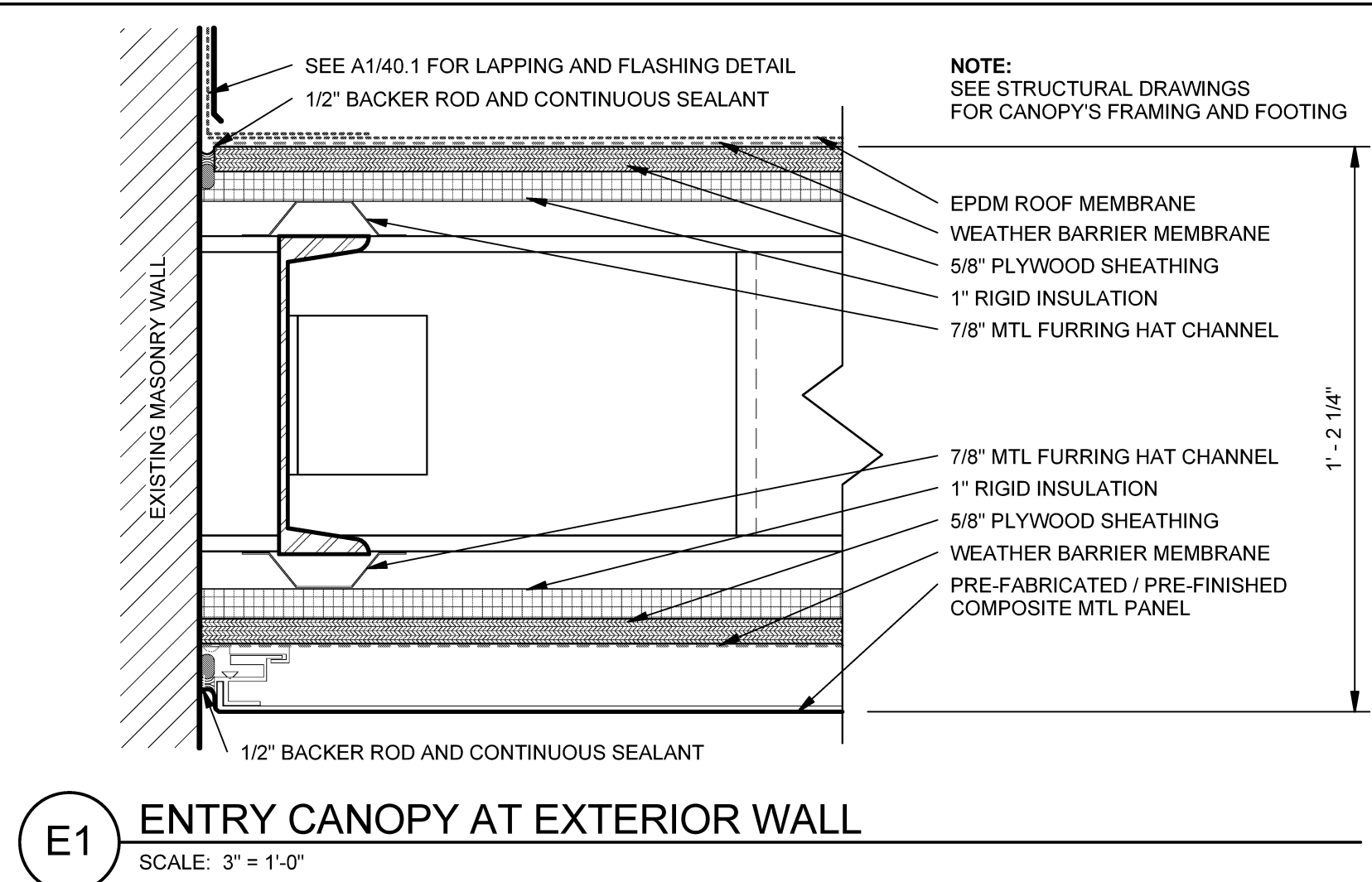
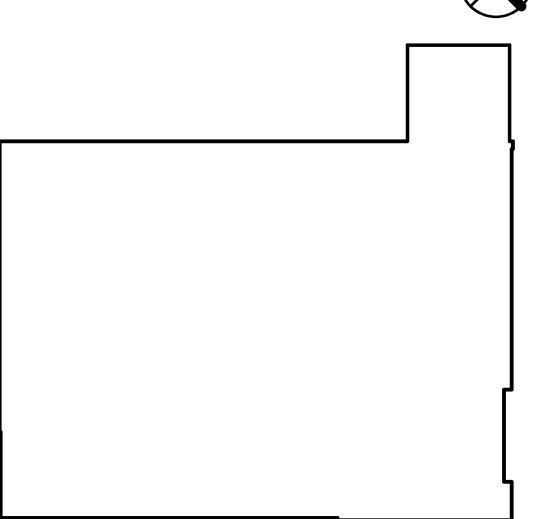
UNIVERSITY OF SOUTHERN MAINE CENTRAL HEAT PLANT UPGRADES

PORTLAND, ME

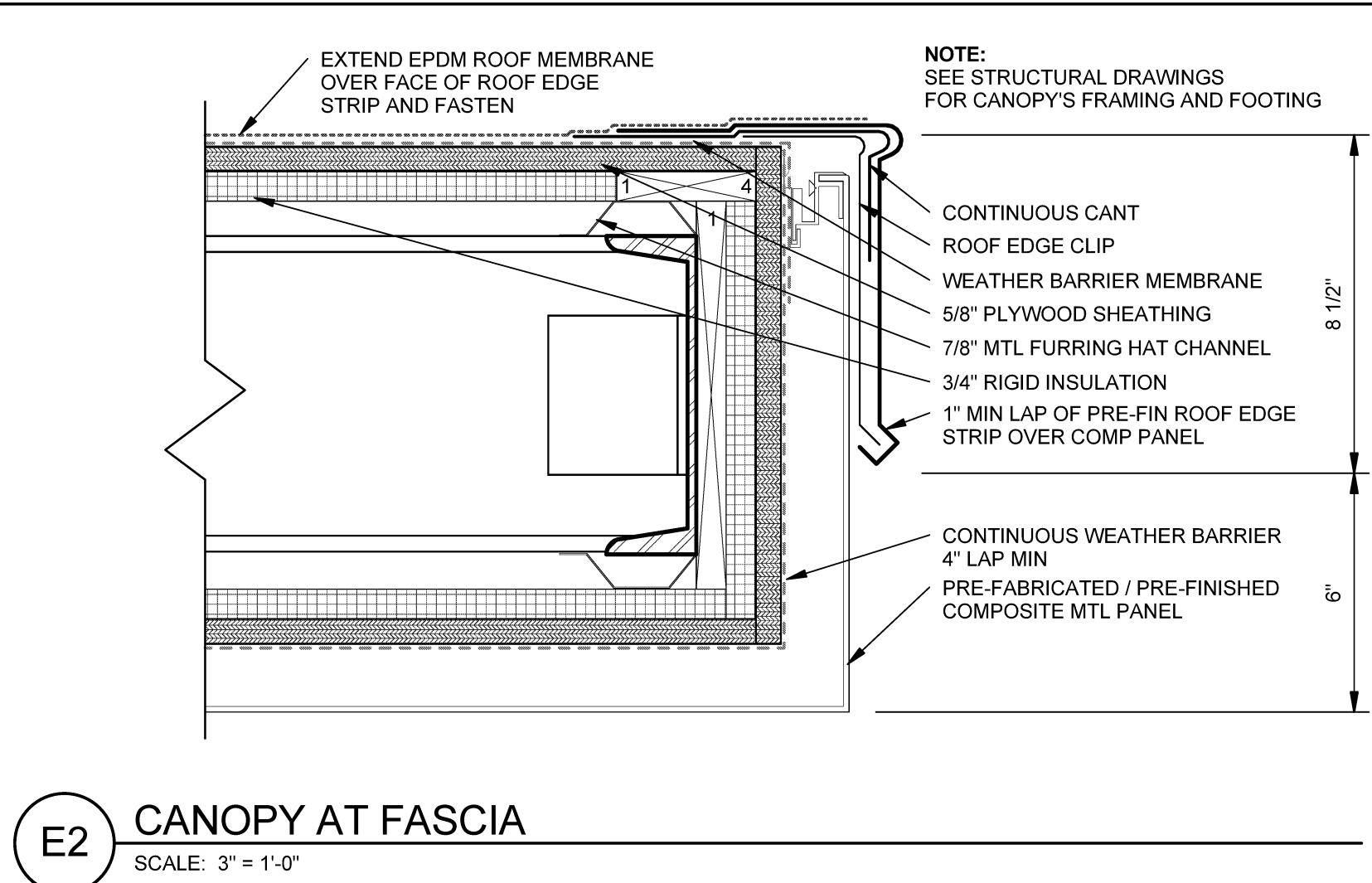
Harriman Project No. 144111

Key Plan

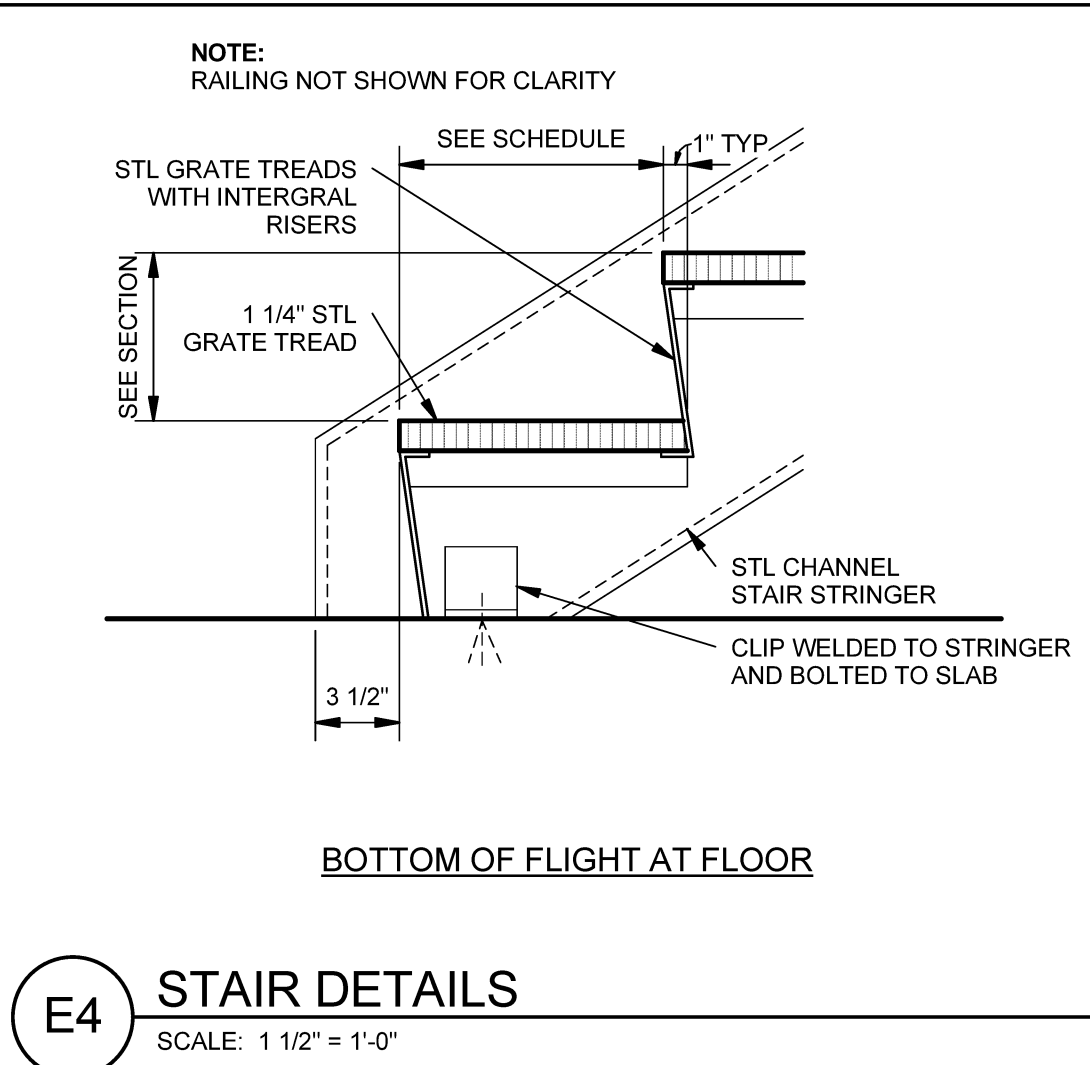
Proj North



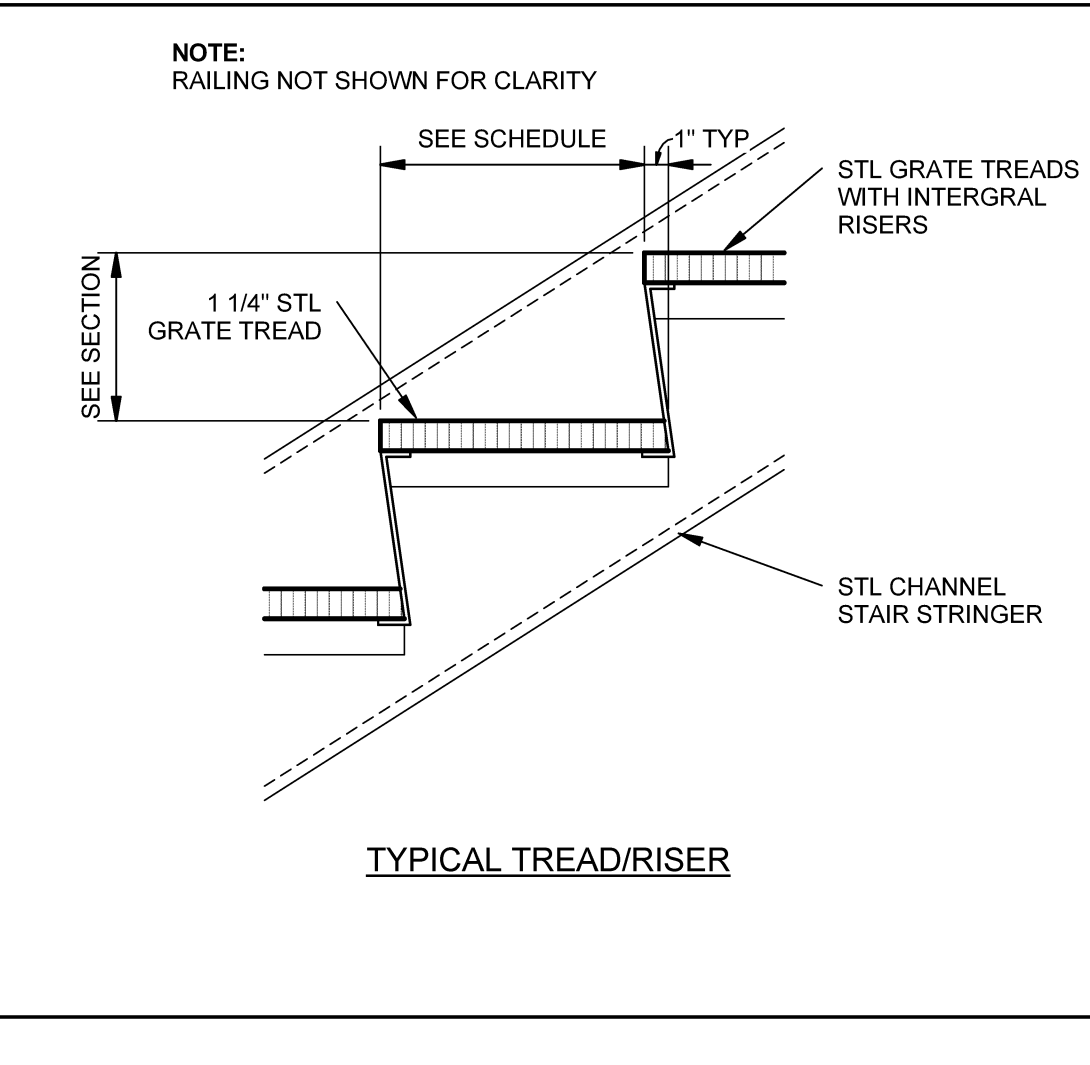
E1 ENTRY CANOPY AT EXTERIOR WALL SCALE: 3/4" = 1'-0"



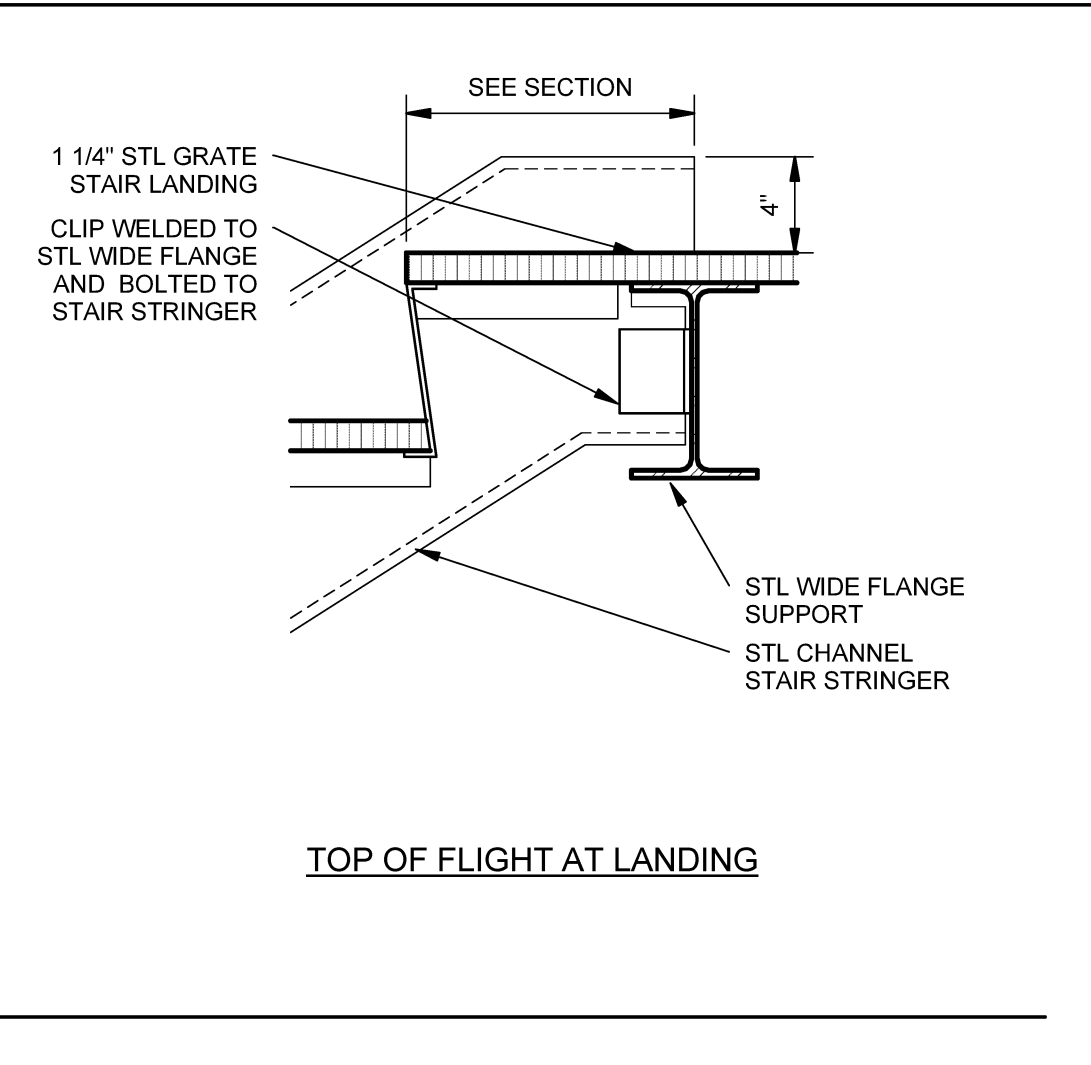
E2 CANOPY AT FASCIA SCALE: 3/4" = 1'-0"



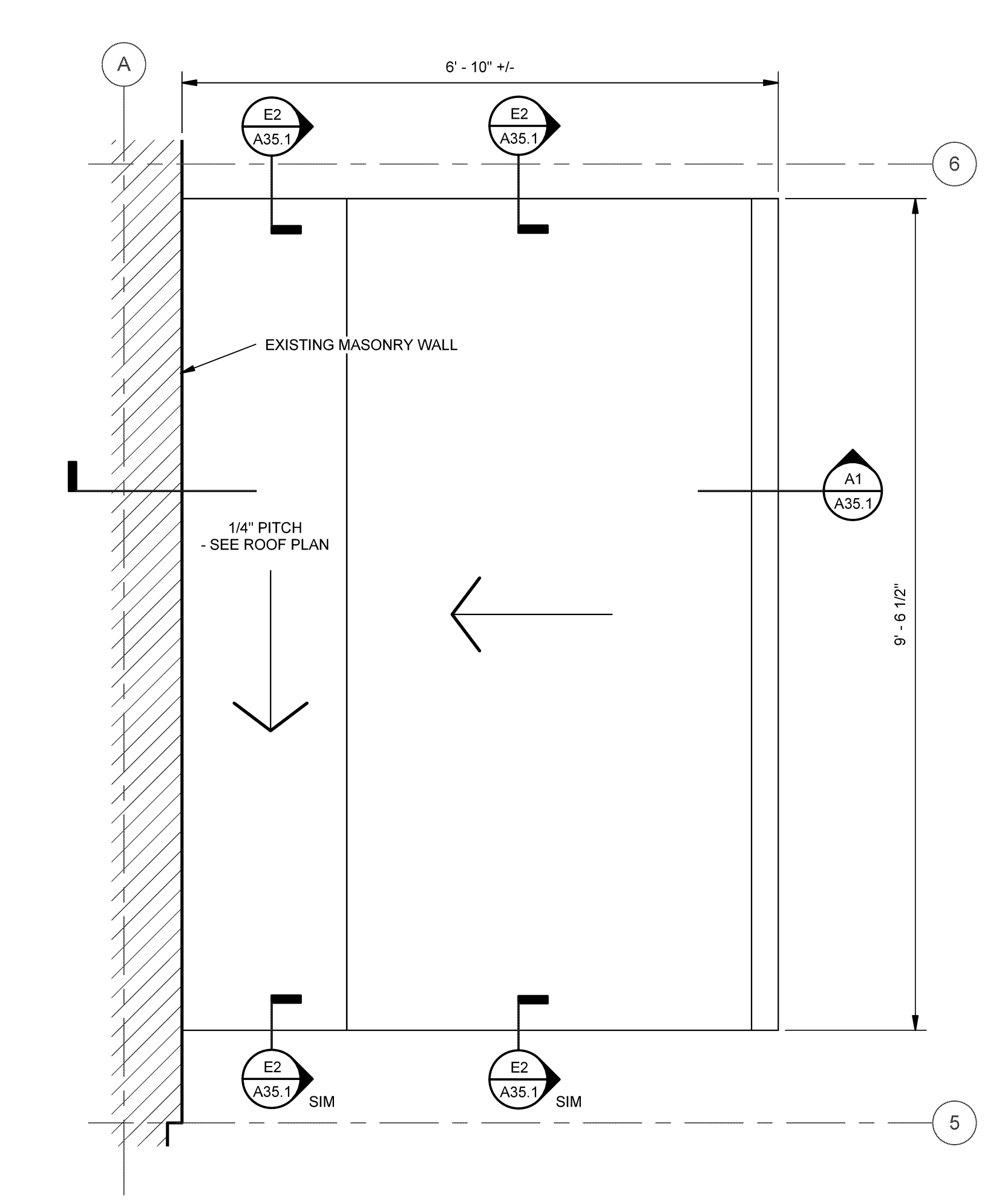
E4 STAIR DETAILS SCALE: 1 1/2" = 1'-0"



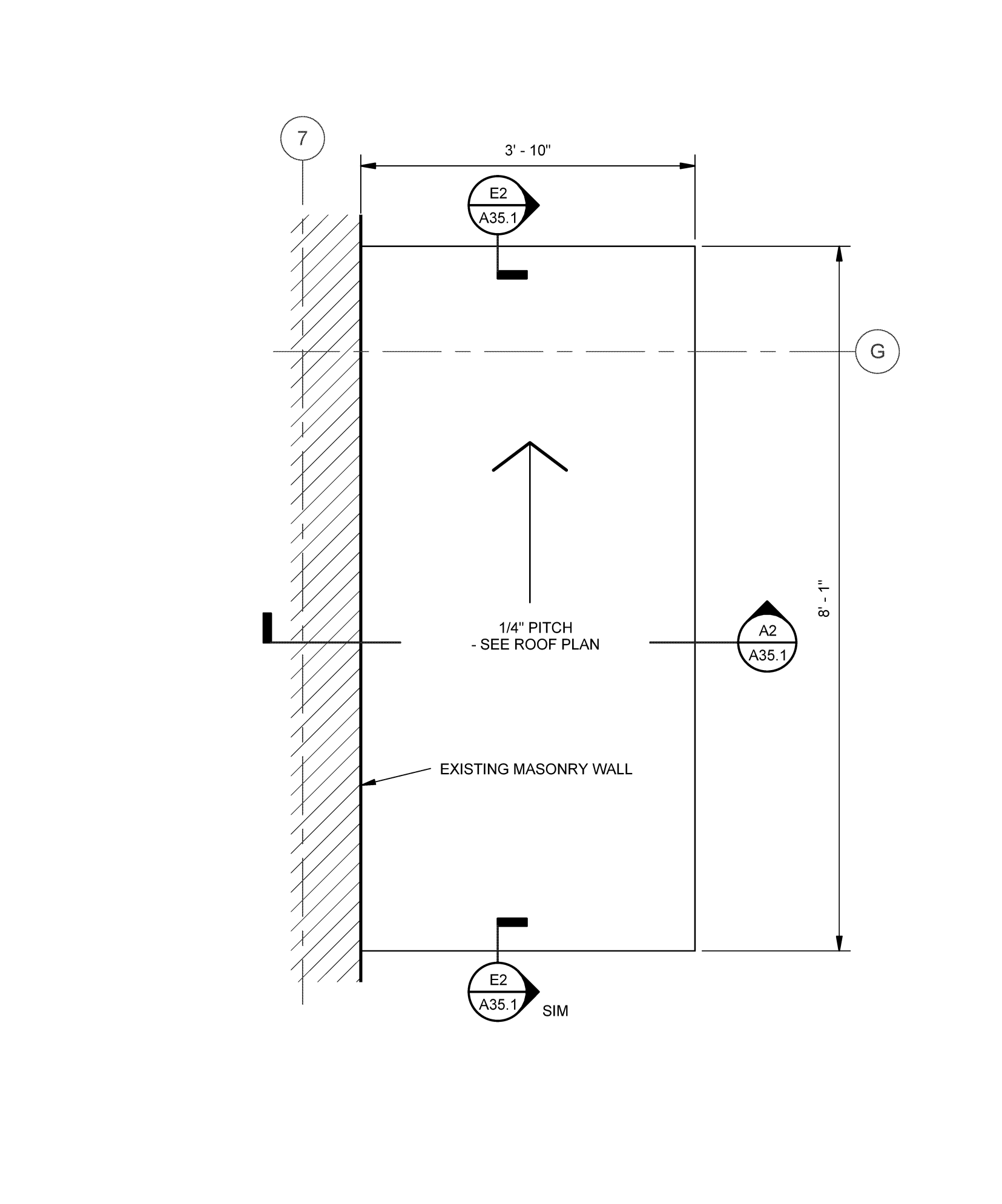
TYPICAL TREAD/RISER



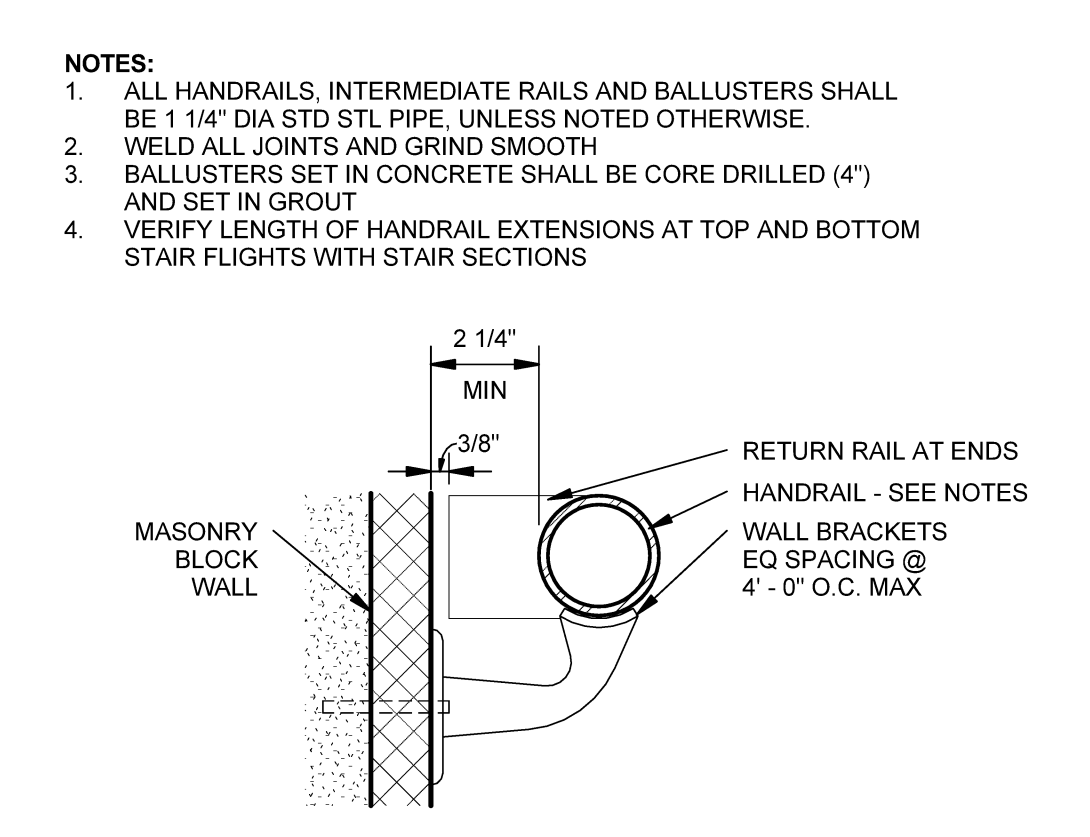
TOP OF FLIGHT AT LANDING



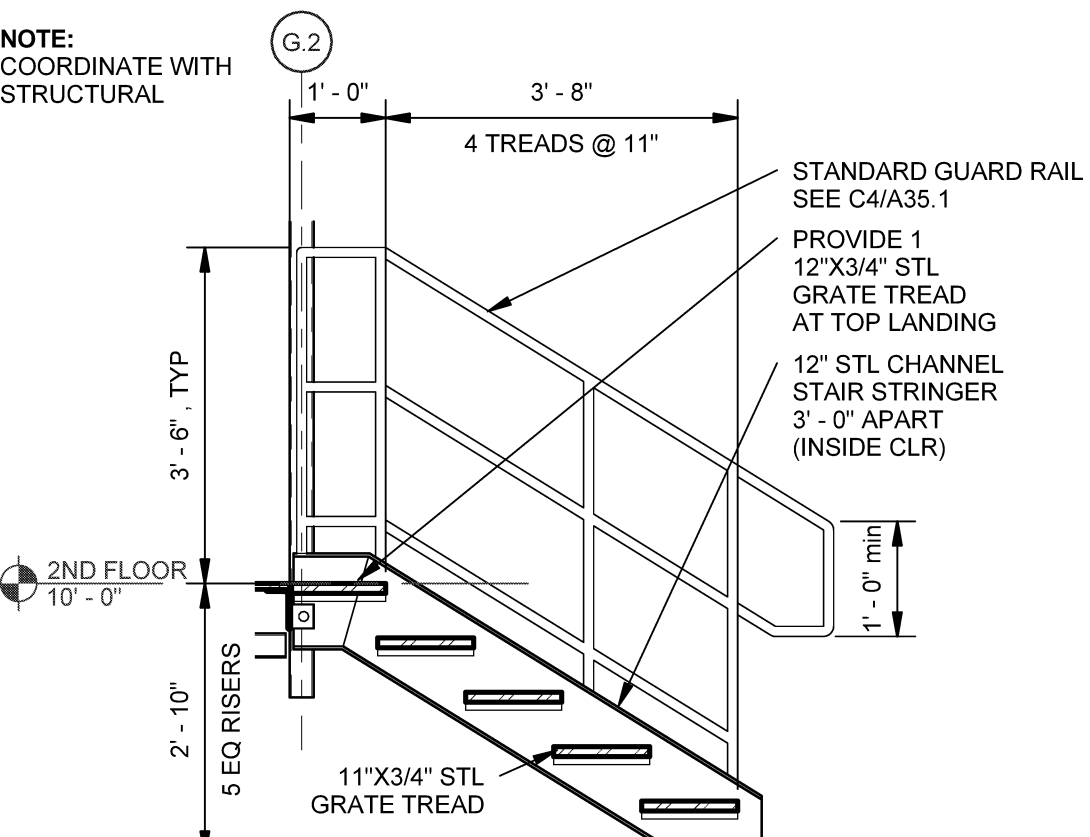
C1 ENTRY CANOPY PLAN SCALE: 3/4" = 1'-0"



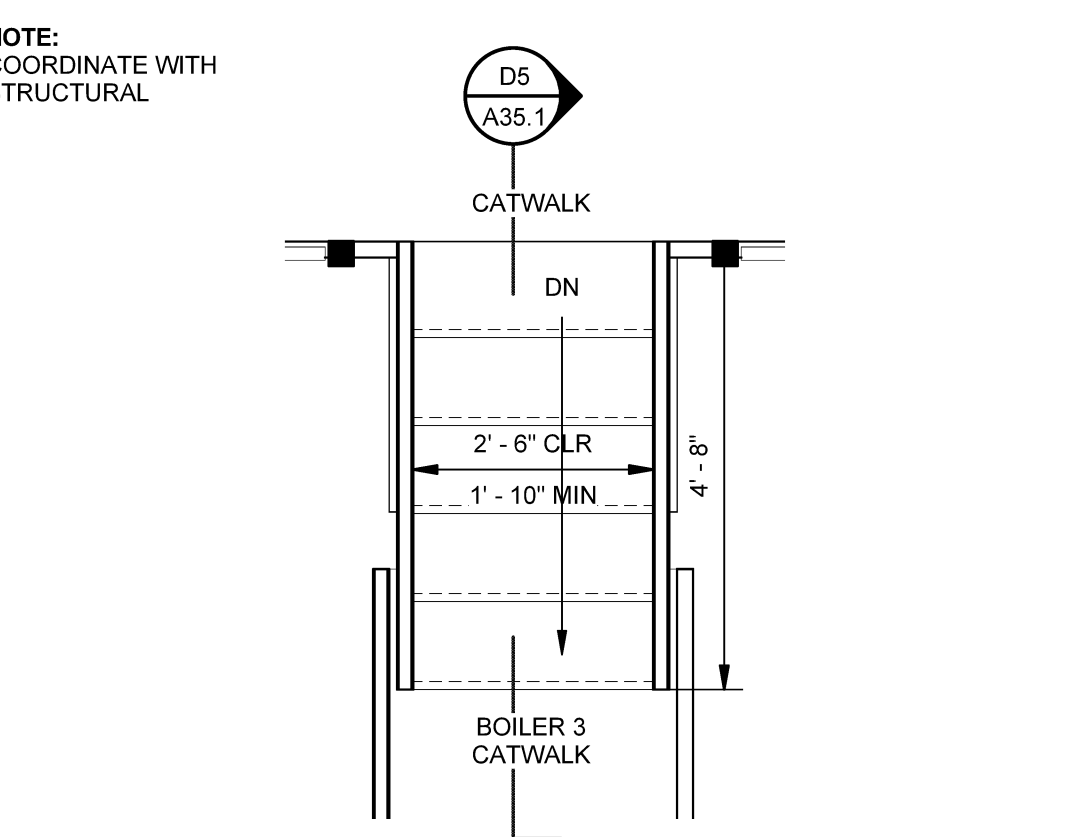
C2 SIDE CANOPY PLAN SCALE: 3/4" = 1'-0"



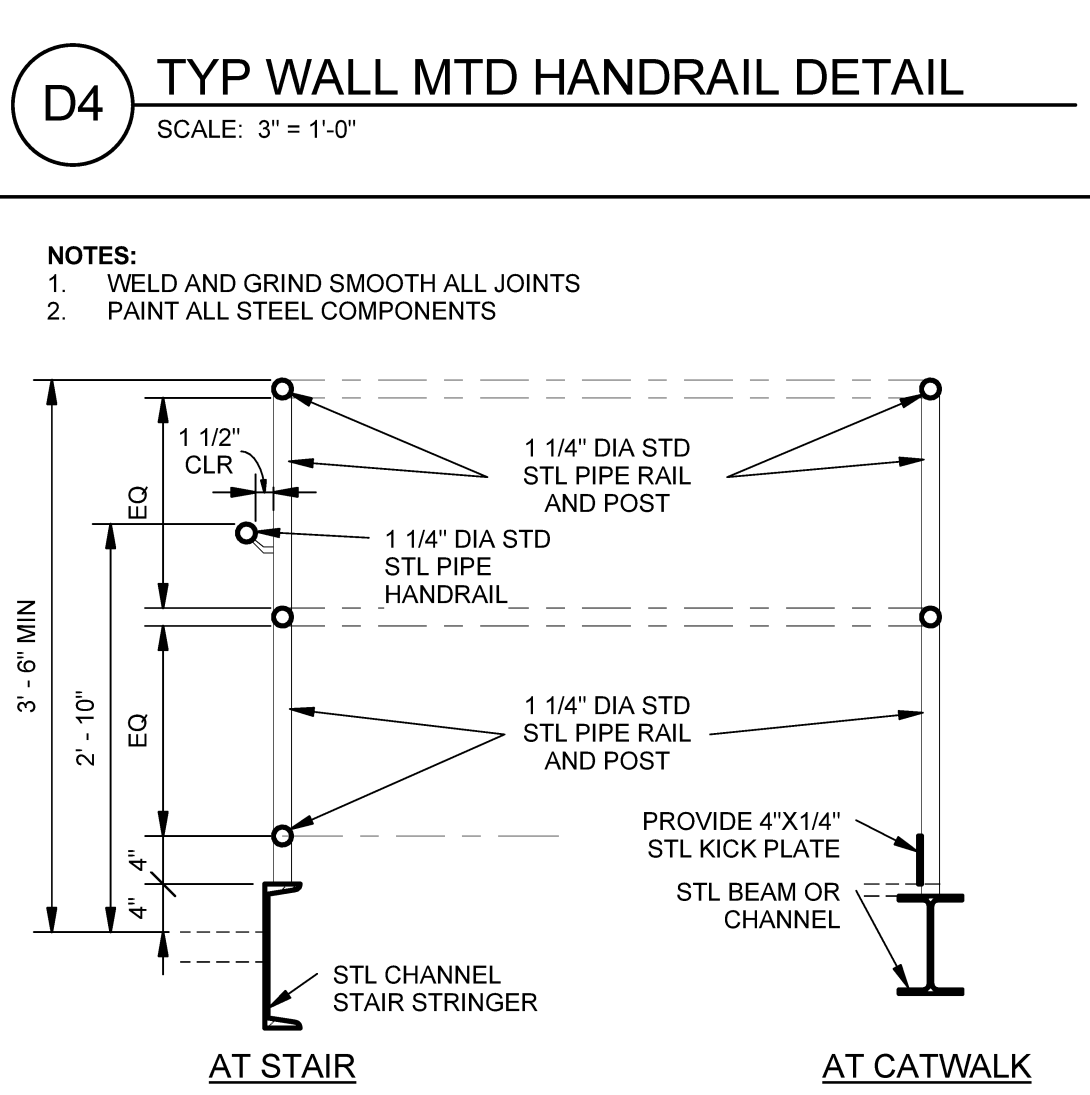
D4 TYP WALL MTD HANDRAIL DETAIL SCALE: 3/4" = 1'-0"



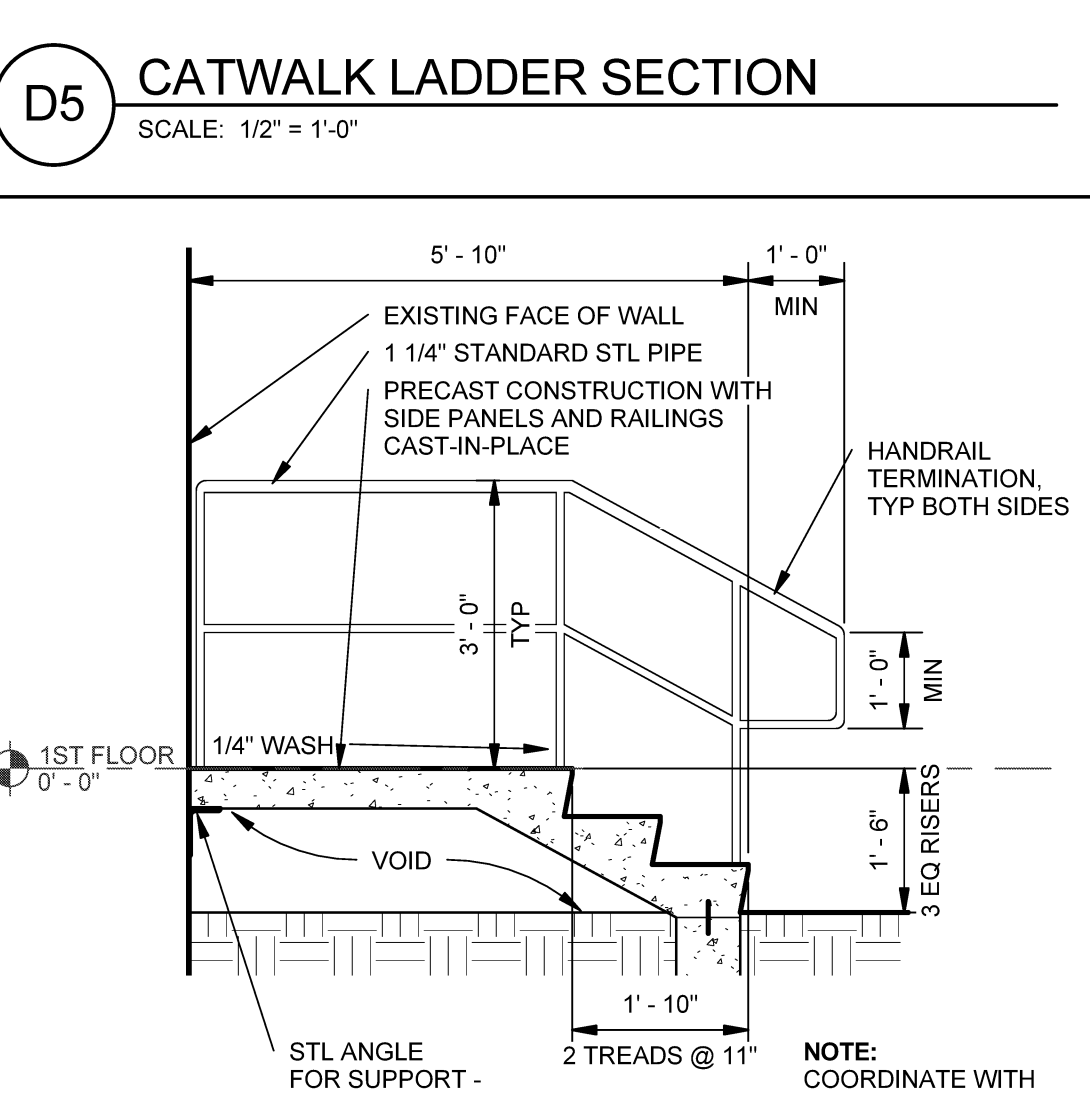
D5 CATWALK LADDER SECTION SCALE: 1/2" = 1'-0"



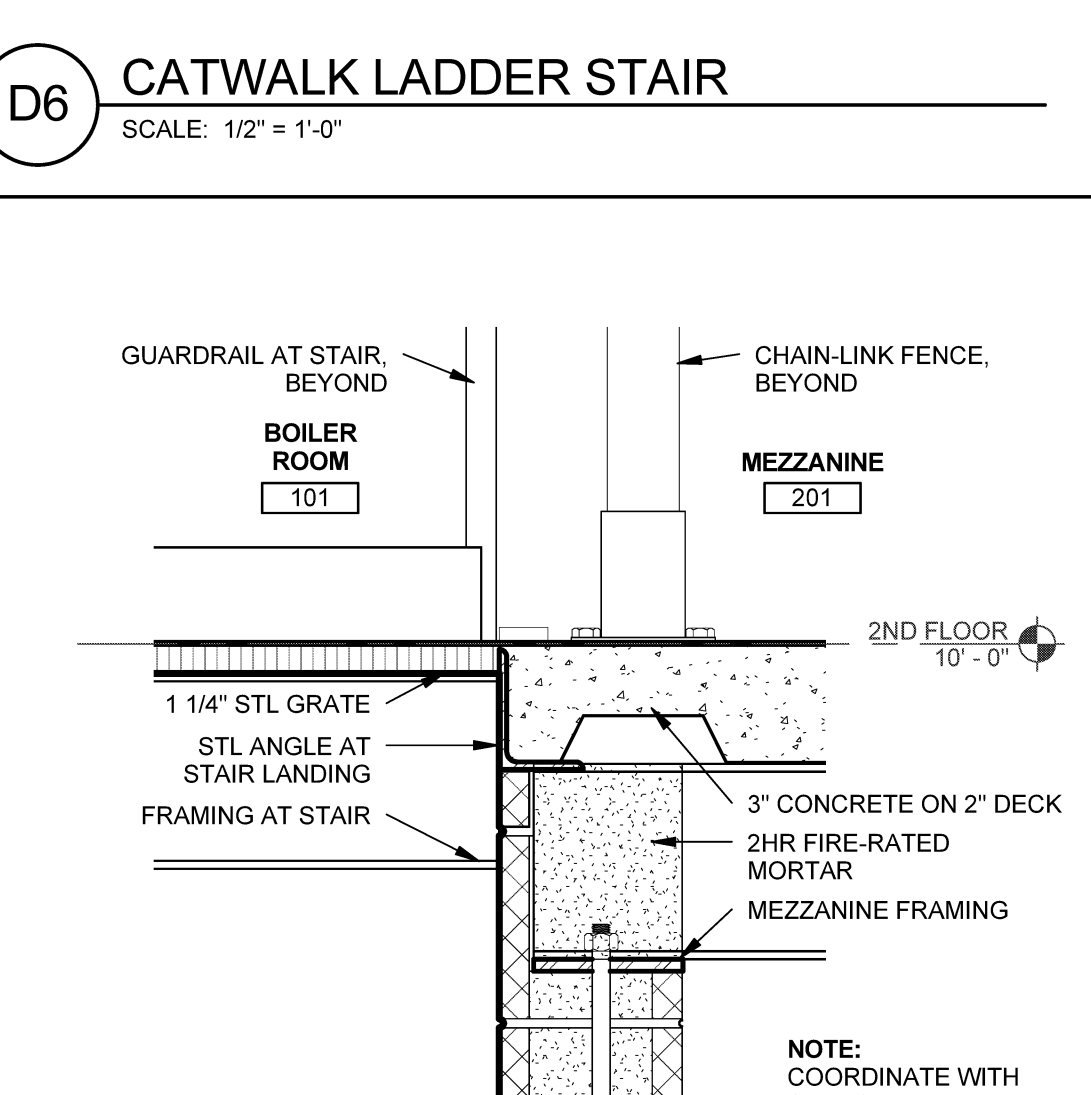
D6 CATWALK LADDER STAIR SCALE: 1/2" = 1'-0"



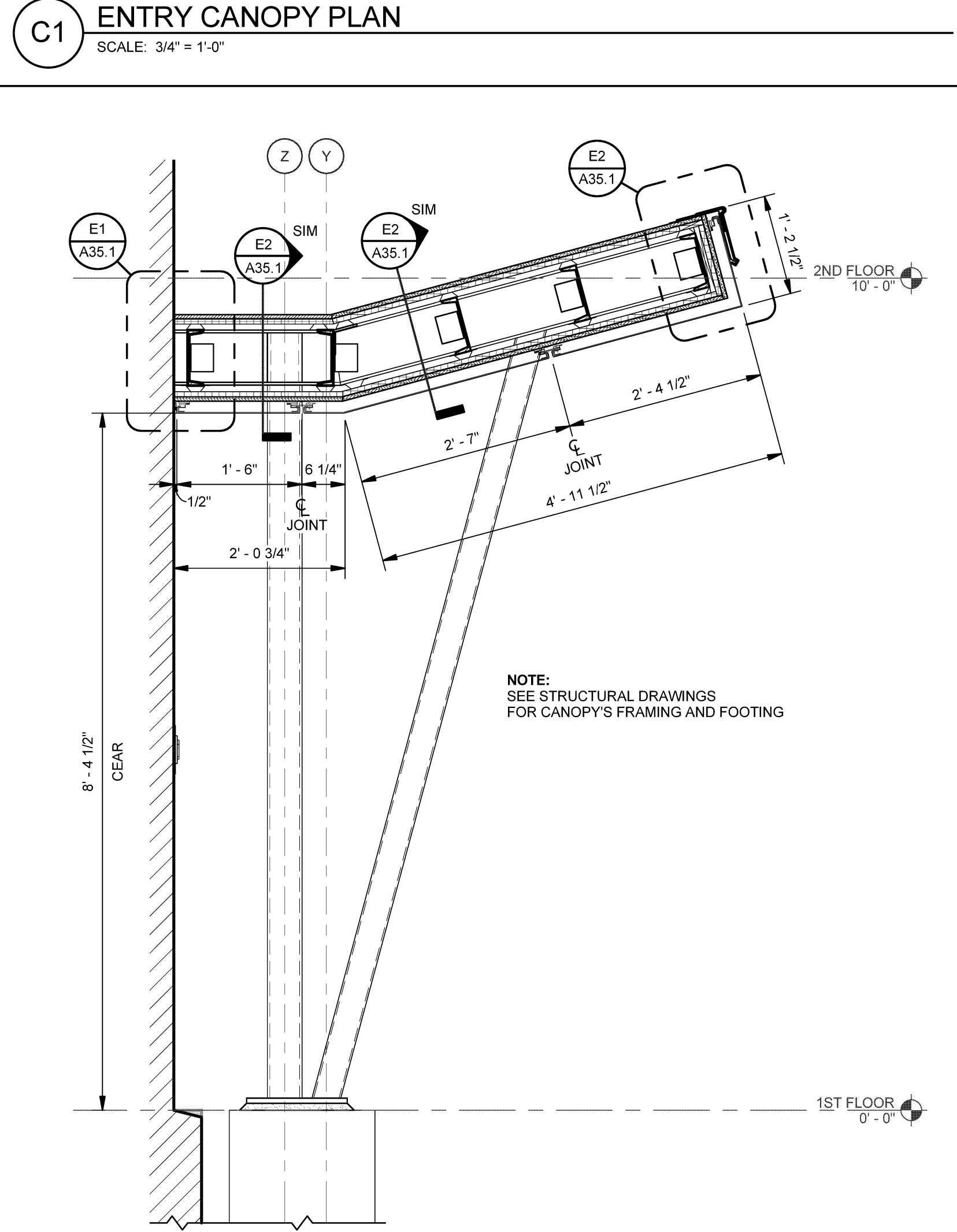
C4 GUARDRAIL DETAILS SCALE: 3/4" = 1'-0"



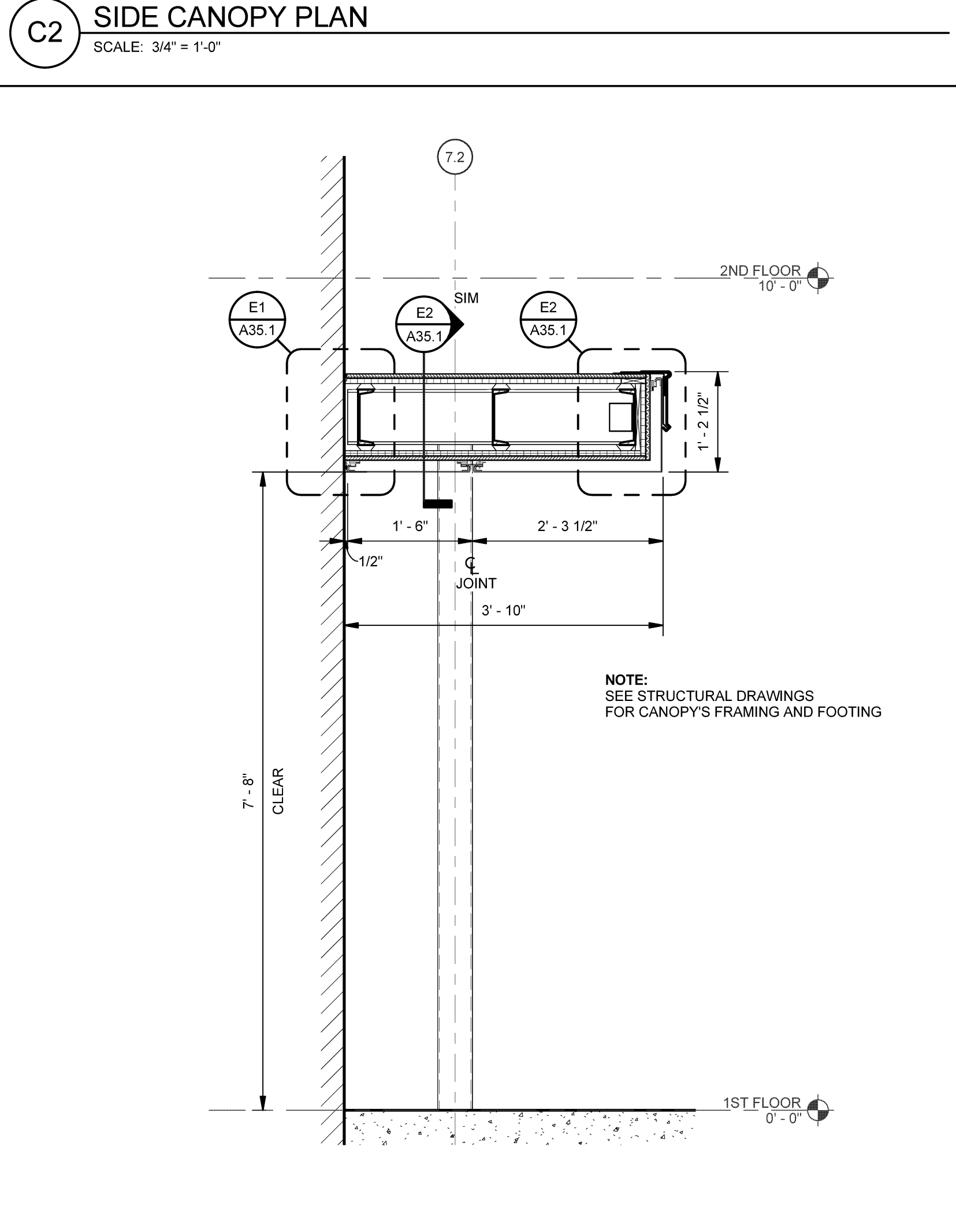
C5 PRECAST STAIR SECTION SCALE: 1/2" = 1'-0"



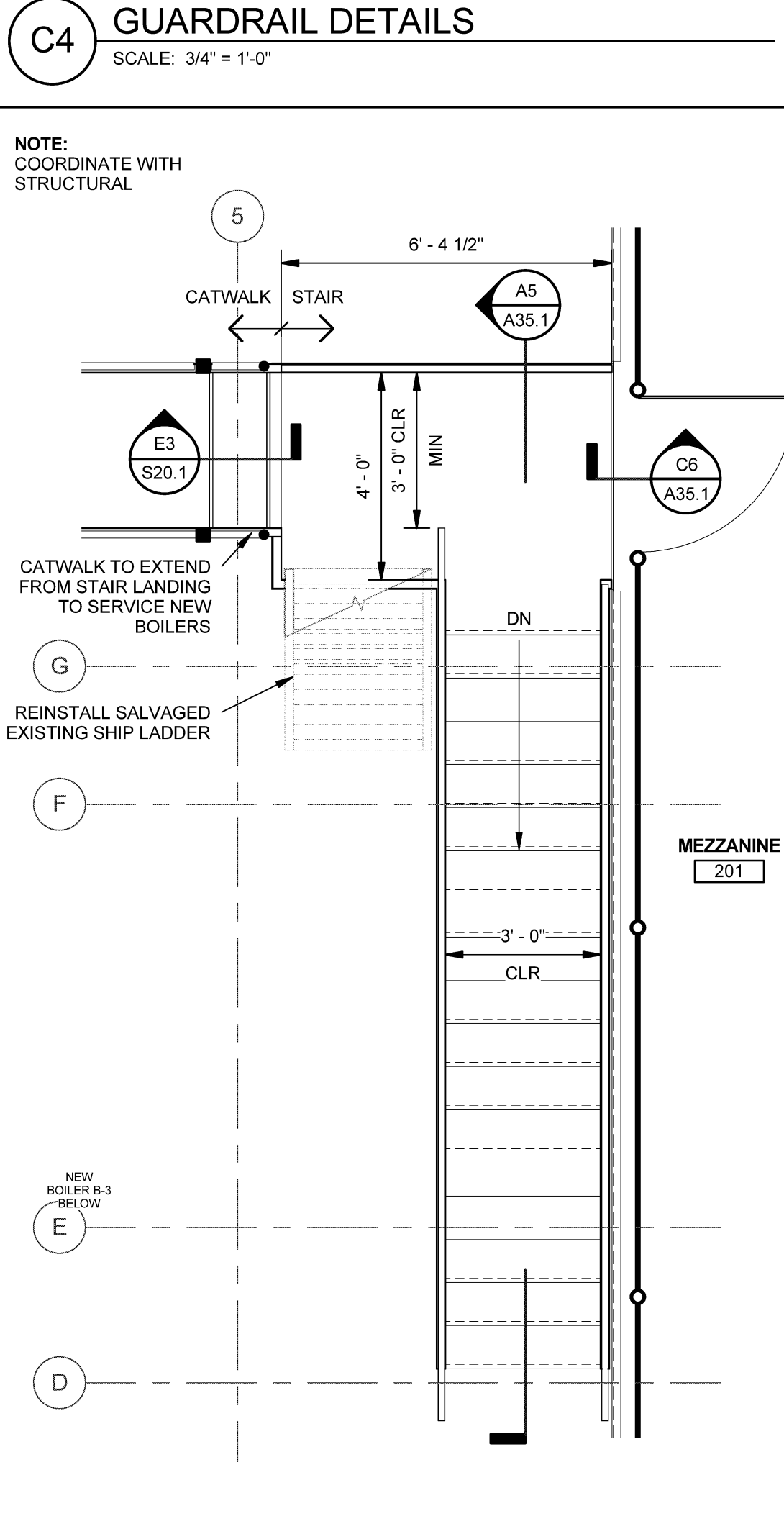
C6 SECTION AT STAIR/MEZZANINE SCALE: 1 1/2" = 1'-0"



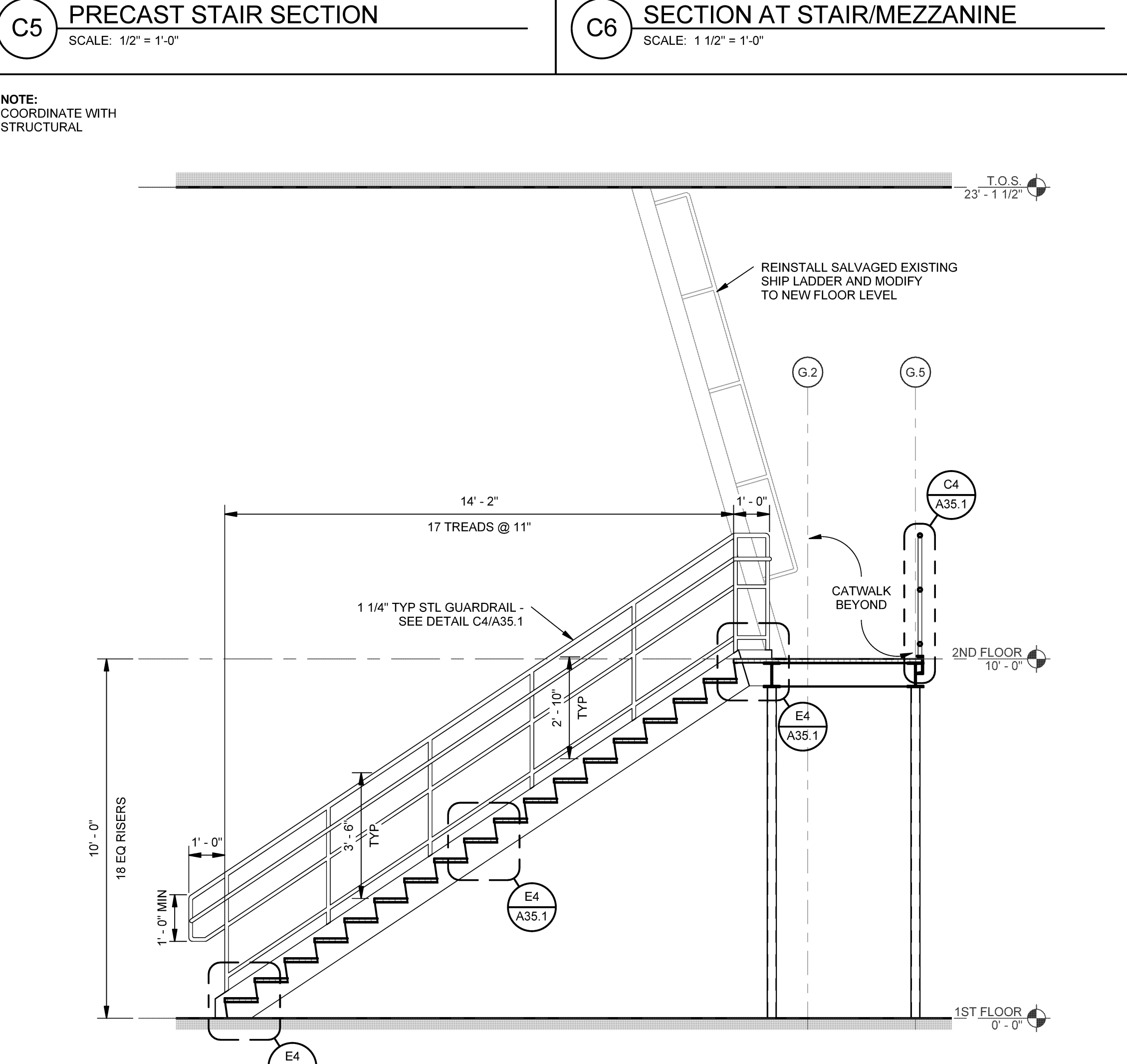
A1 ENTRY CANOPY CROSS SECTION SCALE: 3/4" = 1'-0"



A2 SIDE CANOPY CROSS SECTION SCALE: 3/4" = 1'-0"

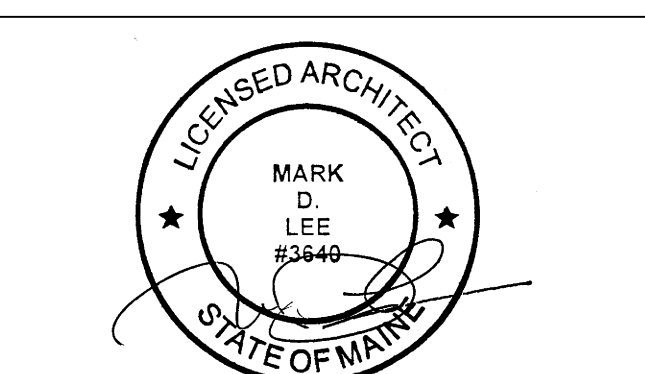


A4 STAIR PLAN AT MEZZANINE SCALE: 3/8" = 1'-0"



A5 STAIR SECTION SCALE: 3/8" = 1'-0"

Mark	Date	Description
10-10-14		FINAL REVIEW
10-23-14		100% REVIEW
10-31-14		ISSUED FOR BID



Drawing Scales As indicated

PA/PE: Designer © 2014 Harriman Associates
Drawn By: Author

STAIR SECTIONS AND EXTERIOR DETAILS

A35.1

Plot Date: 10/30/2014 11:48:41 AM