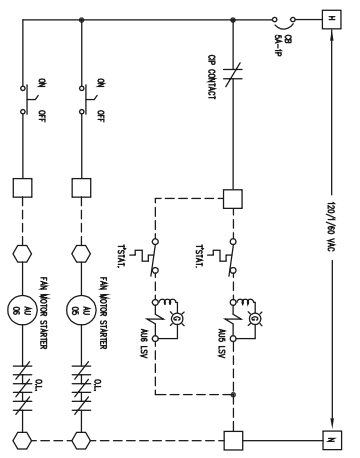
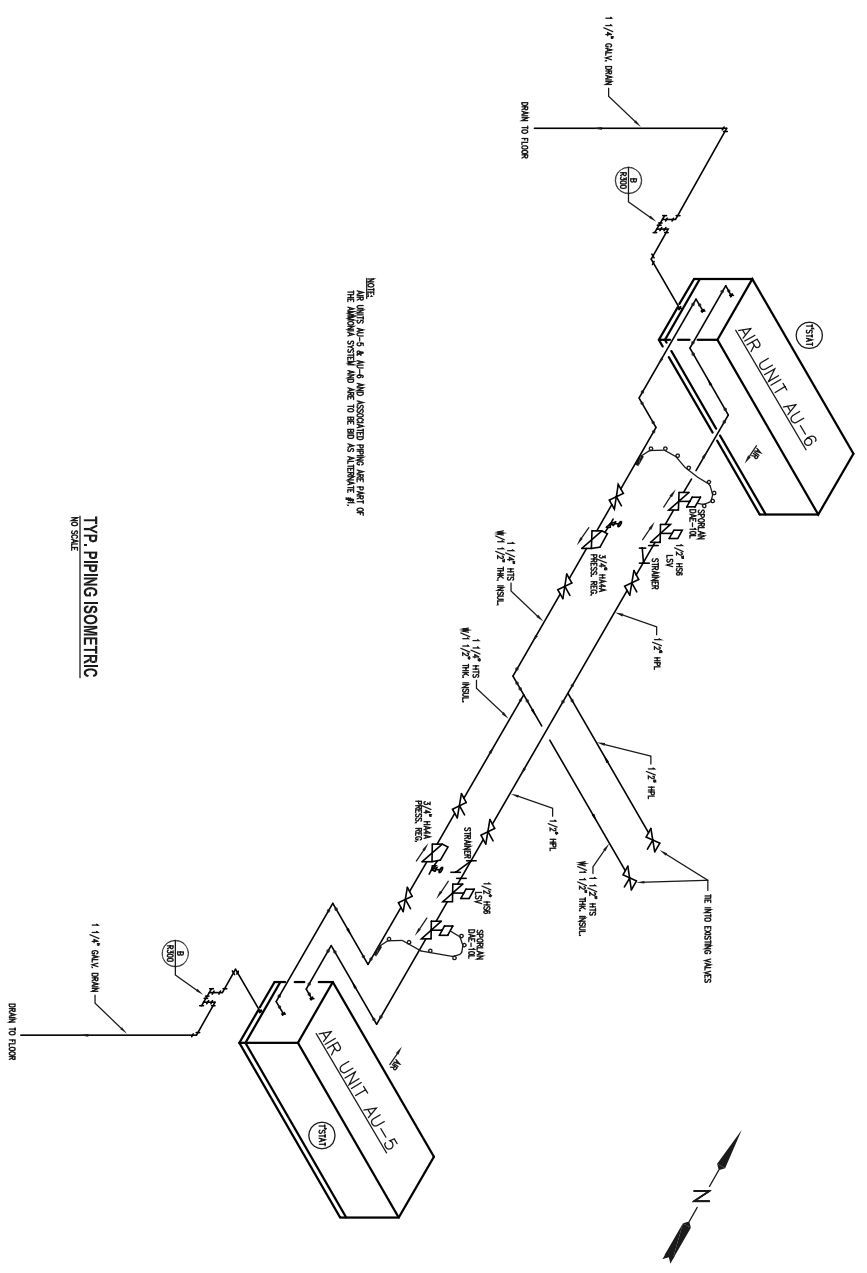


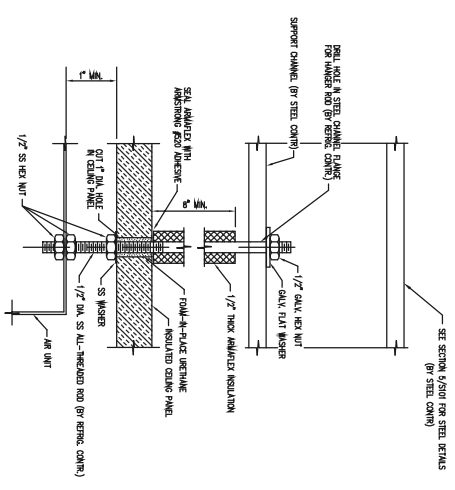
SECTION 1
SCALE: 1/4" = 1'-0" = 8000



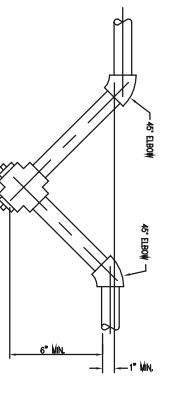
AIR UNIT WIRING DIAGRAM



TYP. PIPING ISOMETRIC
NO SCALE



AIR UNIT HANGING DETAIL A
NO SCALE



DRAIN LINE TRAP DETAIL B
NO SCALE



FACILITIES DESIGN, INC.
304 And One
Portland, Maine 04102
Phone: (717) 285-9442
Fax: (717) 285-3102
E-mail: info@facilitiesdesign.com
Web: www.facilitiesdesign.com
© 2003 by Facilities Design, Inc.
Engineering, Drafting, Services
Architectural Engineering
Mechanical Engineering
Electrical Engineering
Plumbing Engineering
HVAC Engineering
Energy Management
Energy Audits
Energy Modeling
Energy Simulation
Energy Analysis
Energy Conservation
Energy Efficiency
Energy Performance
Energy Reporting
Energy Training
Energy Consulting
Energy Commissioning
Energy Commissioning Services
Energy Commissioning Systems Studies

NO.	DATE	ISSUED FOR REVISION
1	1-2-03	SCALE FOR OWNER REVIEW
2	1-2-03	SCALE FOR OWNER REVIEW
3	1-2-03	SCALE FOR OWNER REVIEW
4	1-2-03	SCALE FOR OWNER REVIEW
5	1-2-03	SCALE FOR OWNER REVIEW
6	1-2-03	SCALE FOR OWNER REVIEW
7	1-2-03	SCALE FOR OWNER REVIEW
8	1-2-03	SCALE FOR OWNER REVIEW
9	1-2-03	SCALE FOR OWNER REVIEW
10	1-2-03	SCALE FOR OWNER REVIEW

REVISIONS

PROJECT NUMBER: 2003.1141.0
DATE: AUGUST 29, 2003
PROJECT: NEW MILK COOLER
304 FOREST AVENUE
PORTLAND, MAINE 04101



304 FOREST AVENUE
PORTLAND, MAINE 04101

PROJECT NUMBER: 2003.1141.0
DATE: AUGUST 29, 2003
PROJECT: NEW MILK COOLER

REFRIGERATION SECTIONS AND DETAILS

PROJECT NUMBER: R300
REVISIONS: 0