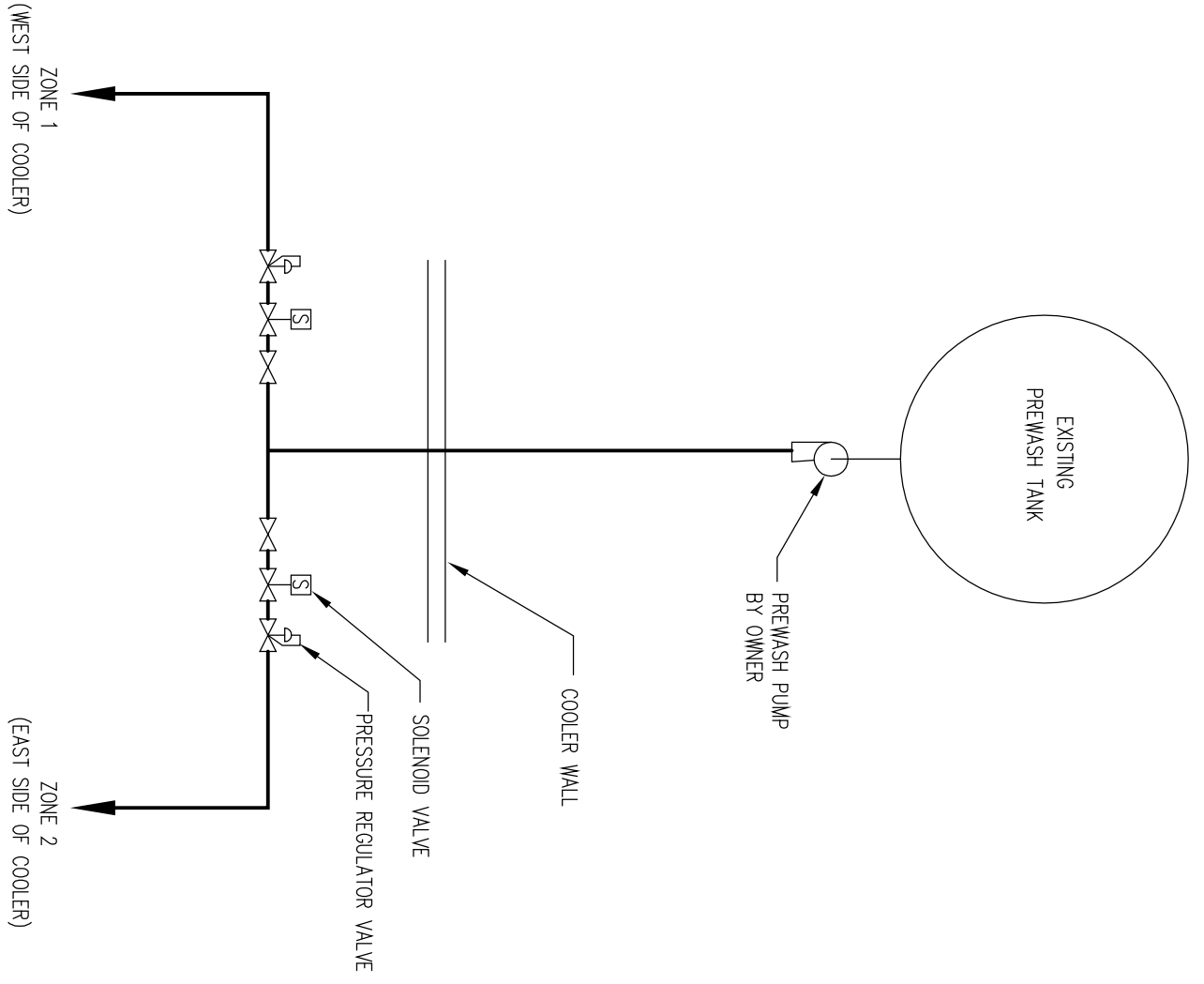


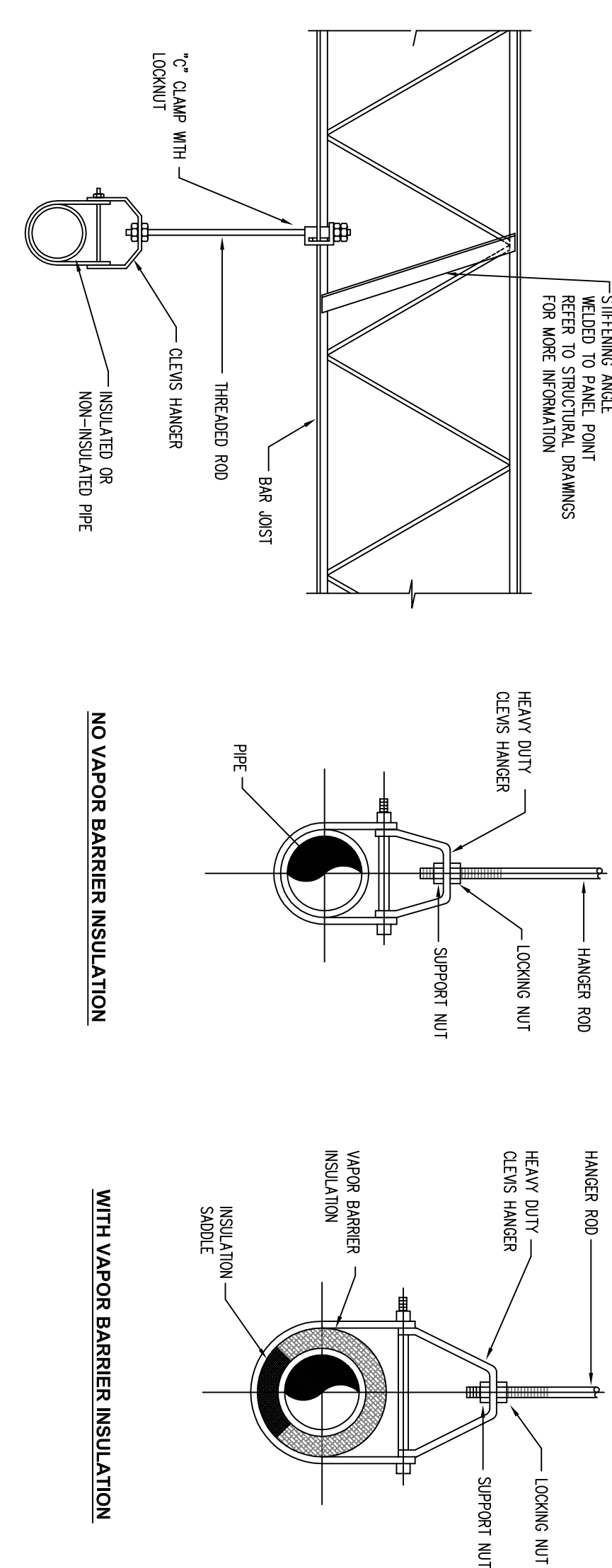
SECTION
SCALE 3/16" = 1'-0"



SEQUENCE OF OPERATION

1. COOLER PREWASH SYSTEM SHALL RINSE ONCE AN HOUR.
2. RINSE TIME SHALL BE FOR 1 1/2 MINUTES.
3. AT START OF RINSE CYCLE THE PUMP SHALL BE ENERGIZED.
4. ZONE 1 SOLENOID VALVE SHALL BE OPEN AT START OF RINSE CYCLE FOR 45 SECONDS THEN CLOSE. WHEN ZONE 1 SOLENOID VALVE CLOSSES ZONE 2 SOLENOID VALVE SHALL OPEN FOR A PERIOD OF 45 SECONDS. WHEN ZONE 2 SOLENOID VALVE CLOSSES THE PUMP SHALL BE DE-ENERGIZED.

COOLER PREWASH SYSTEM CONTROL DIAGRAM



NOTES

1. WHERE RINSE RAILS ARE WELDED, ALL HANGER COMPONENTS SHALL BE GALVANIZED STEEL.
2. FOR HANGER ROD SECS. REFER TO THE SPECIFICATIONS.

DETAIL A
NO SCALE

TAG	DESCRIPTION	MM	CW	BRN	VENT	MOOR	REMARKS
B-1	LAVATORY	1/2"	1/2"	1 1/2"	1 1/2"		
B-2	WATER CLOSET	-	1"	3"	1 1/2"		
B-3	SINK	1/2"	1/2"	1 1/2"	1 1/2"		
HR-1	HOSE REEL	-	-	-	-	SEE SPEC.	
HD-1	WALL HYDRANT	-	3/4"	-	-		6" WIDE
TD-1	TRENCH DRAIN	-	-	-	-		12" WIDE
DR-1	CATCH BASIN	-	-	3"	-		6" WIDE
CB-2	CATCH BASIN	-	-	3"	-		12" WIDE

NO.	REVISIONS	ISSUED FOR RECORD
0	8-29-03	

This drawing and all information contained herein, remains the property of FACILITIES DESIGN, INC. No part of this drawing may be reproduced in whole or in part without the written consent of FACILITIES DESIGN, INC. Do not scale drawing. Contractor shall be responsible for any discrepancies that may be reported to FACILITIES DESIGN, INC. prior to construction or installation.

PROJECT MANAGER: MSB
DESIGNED BY: J.P.B.
DRAWN BY: J.P.B.
CHECKED BY: G.S.T.
PROJECT: NEW MILK COOLER



364 FOREST AVENUE
PORTLAND, MAINE 04101

PROJECT NUMBER:
2003.1141.0

DATE:
AUGUST 29, 2003

DRAWING TITLE:
PLUMBING SECTION, DETAIL AND SCHEDULE

DRAWING NUMBER: P201
REVISION: 0

FACILITIES DESIGN, INC.
3904 Asad Drive
Columbia, Pennsylvania 17512
Phone: (717) 285-9442
Fax: (717) 285-3102
Email: info@facilitiesdesign.com
Web: www.facilitiesdesign.com

Engineering Design Services
Architectural Engineering
Building Design
Process Design
Piping & Valve
Fire Protection
Control & Instrumentation
Energy Management
Lighting
Thermal Insulation
Process Simulation
Process Safety
Project Management
Project Cost Estimation
Project Scheduling
Material Estimation
Material Quantity Takeoff