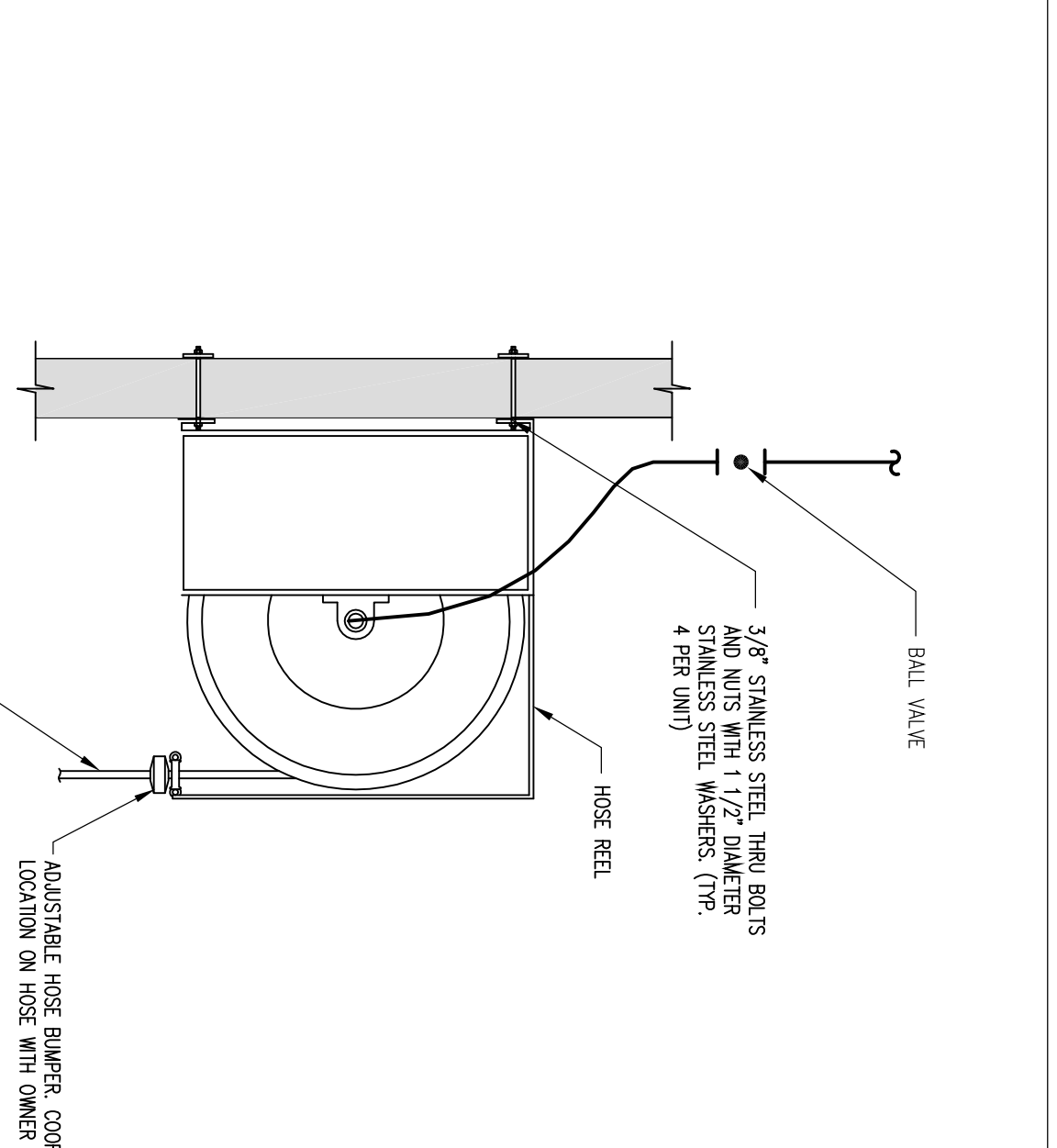
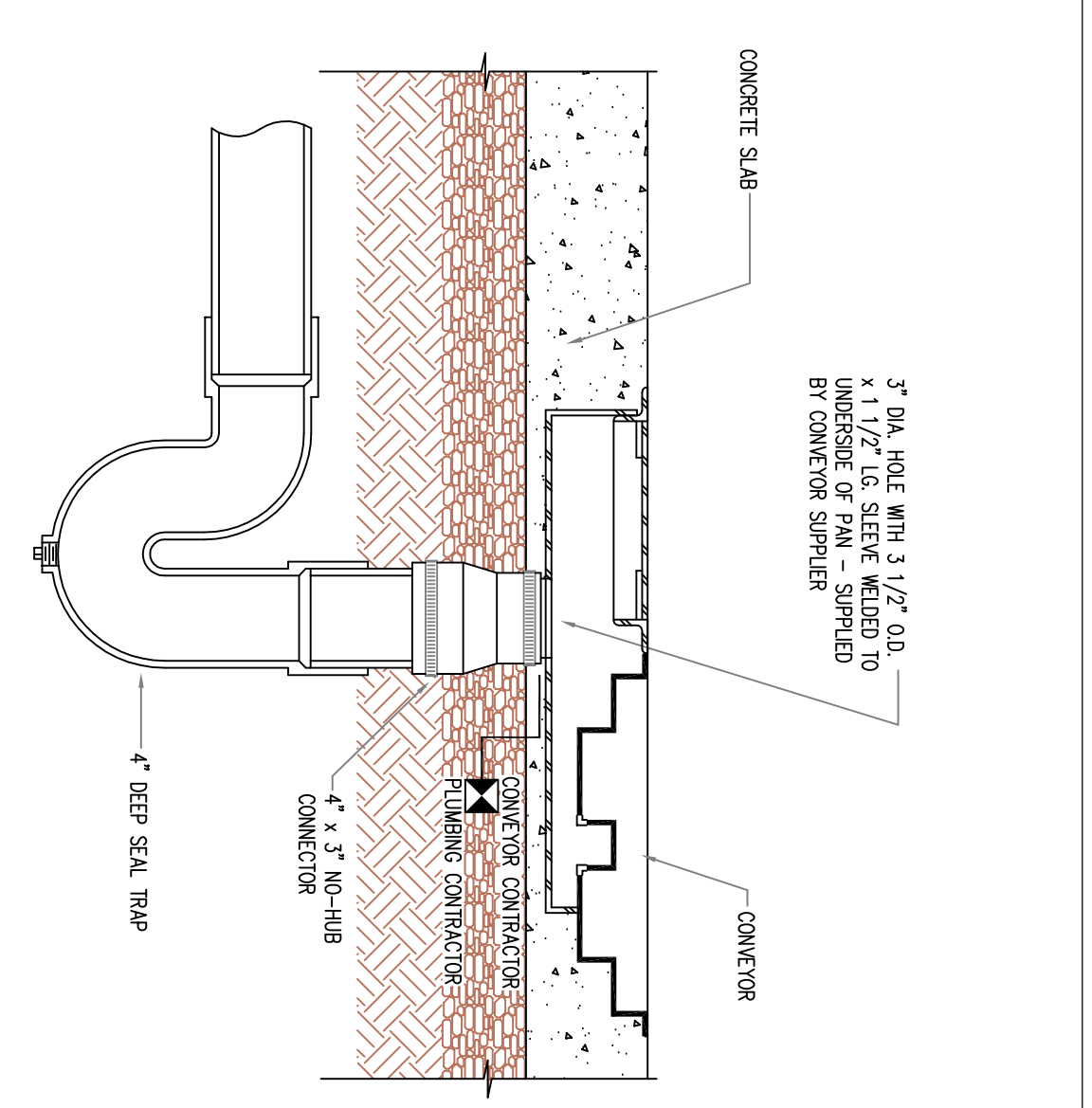
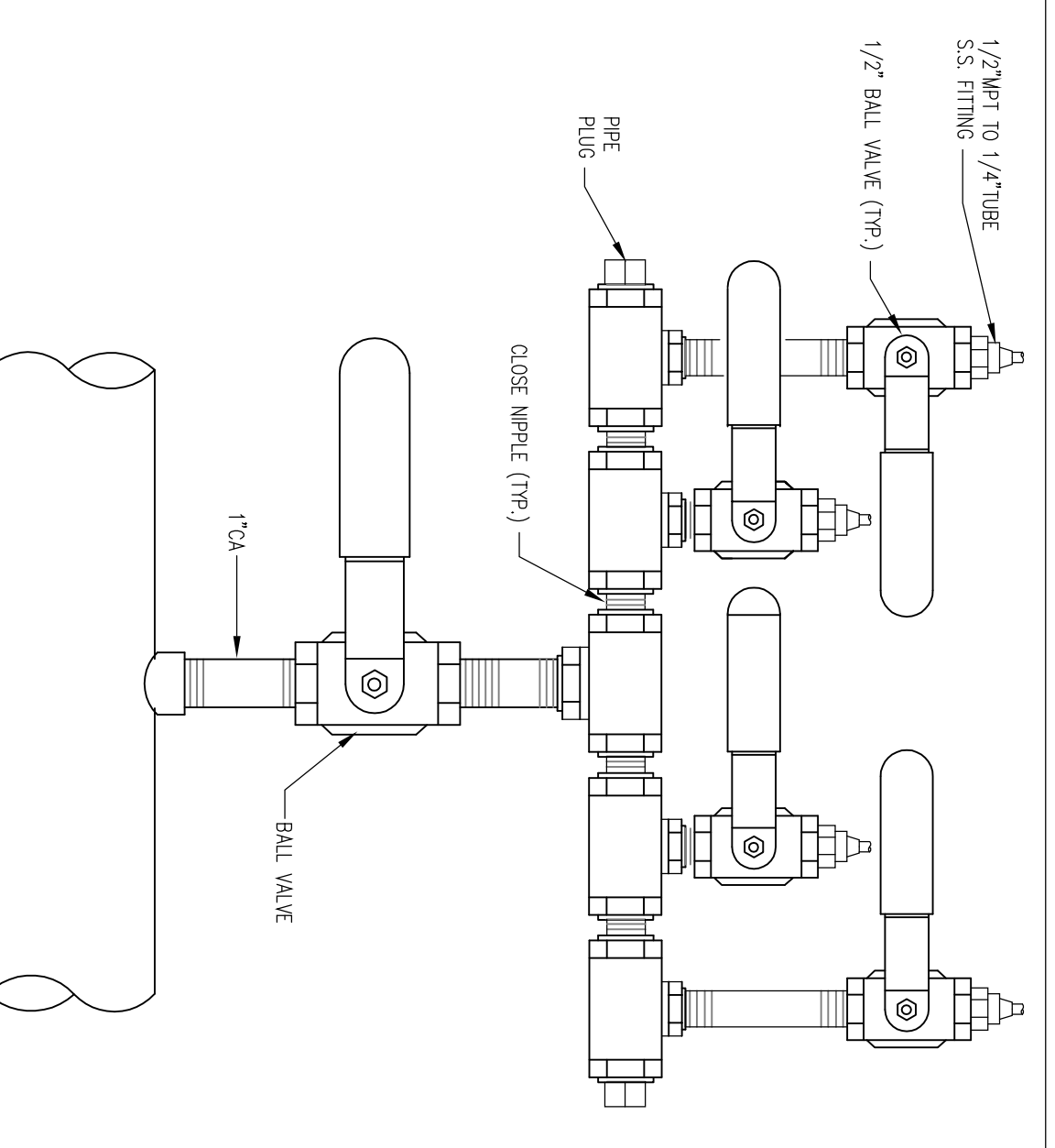
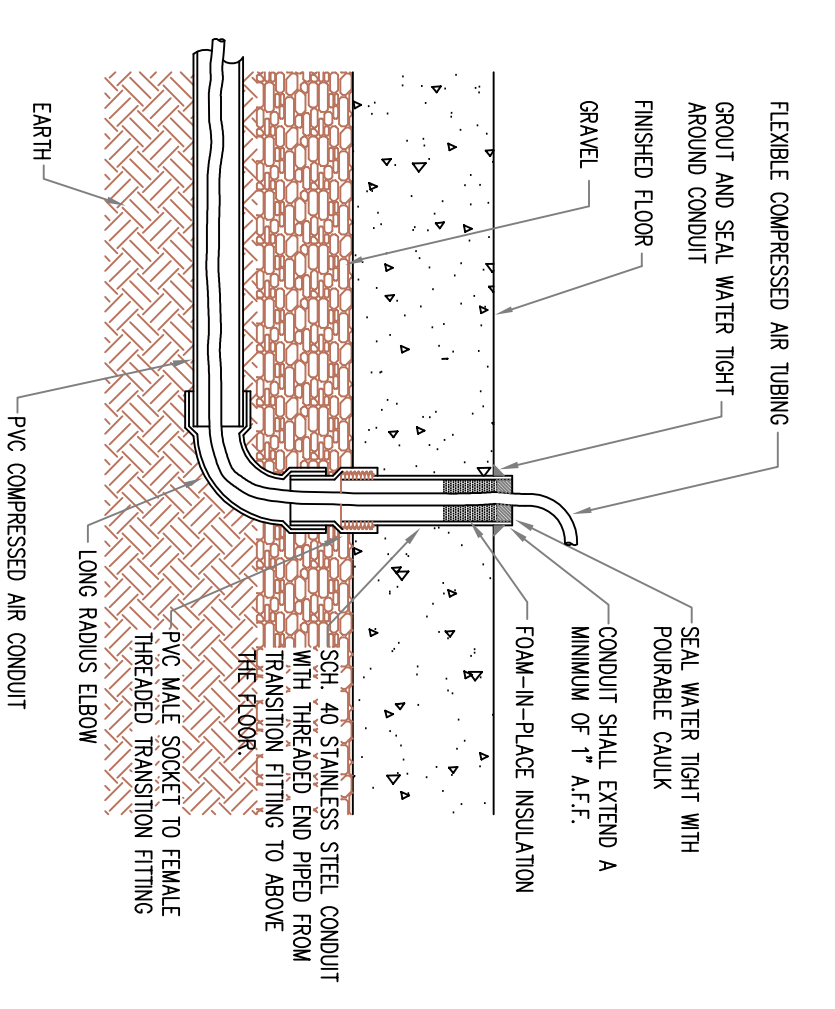
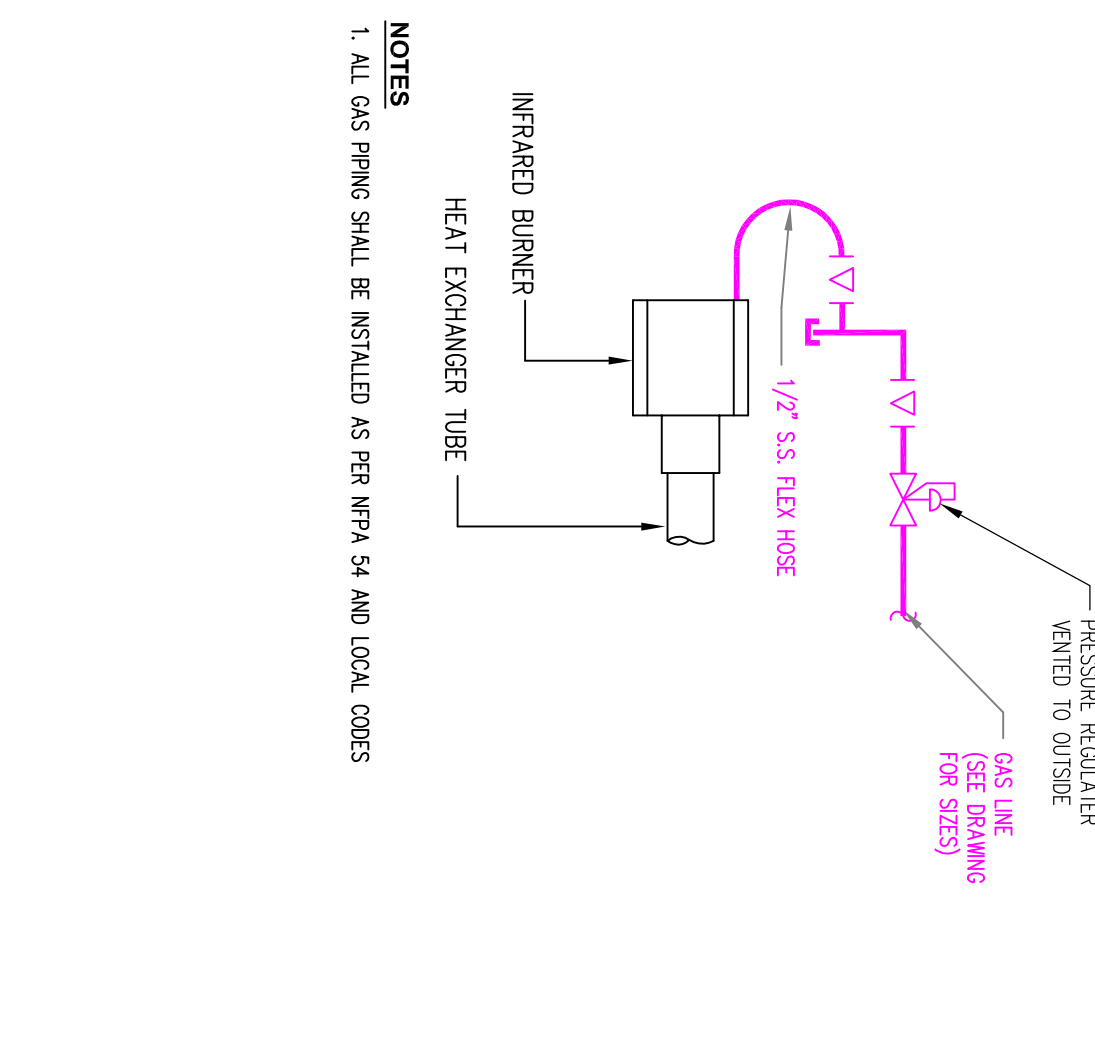
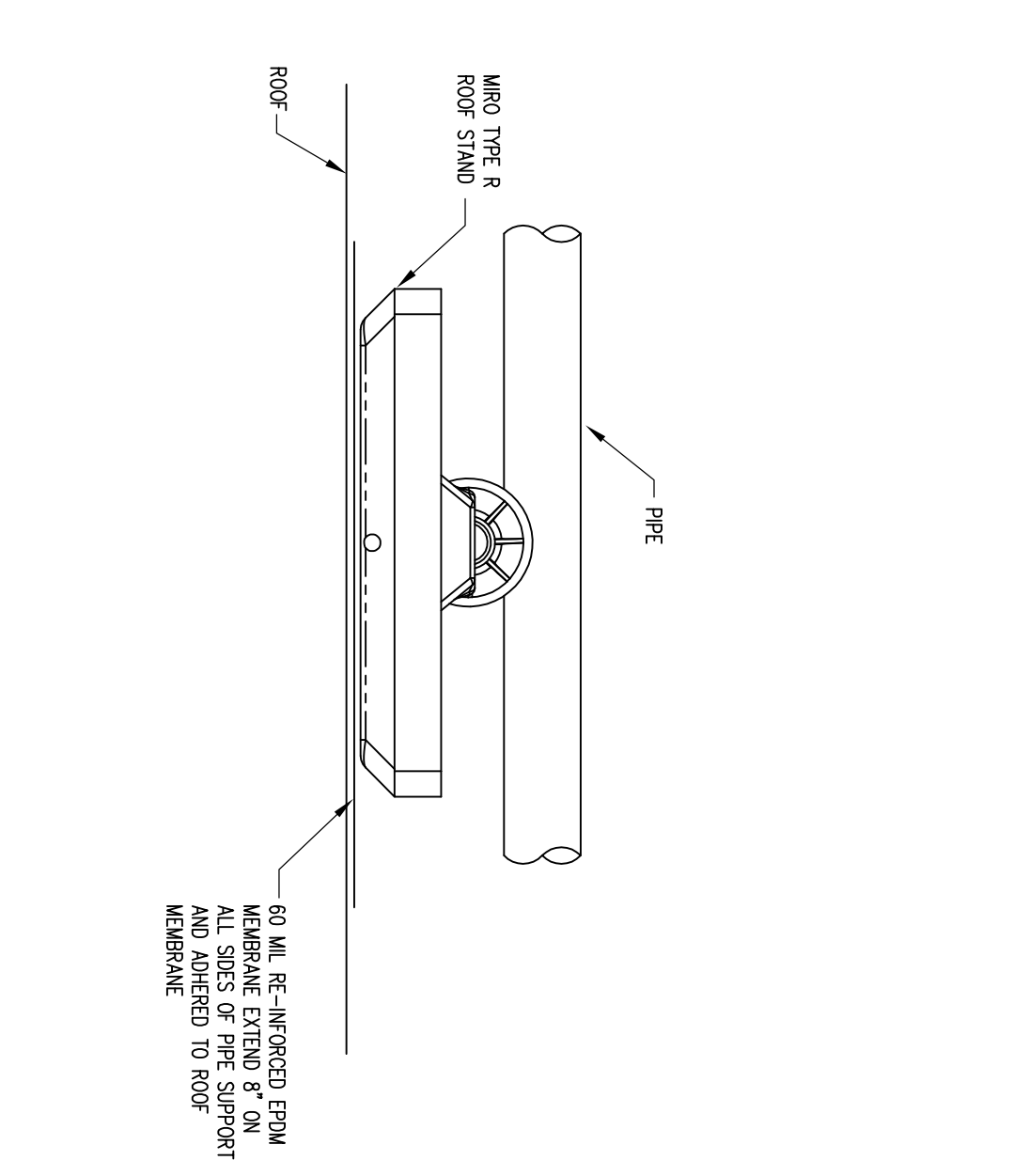
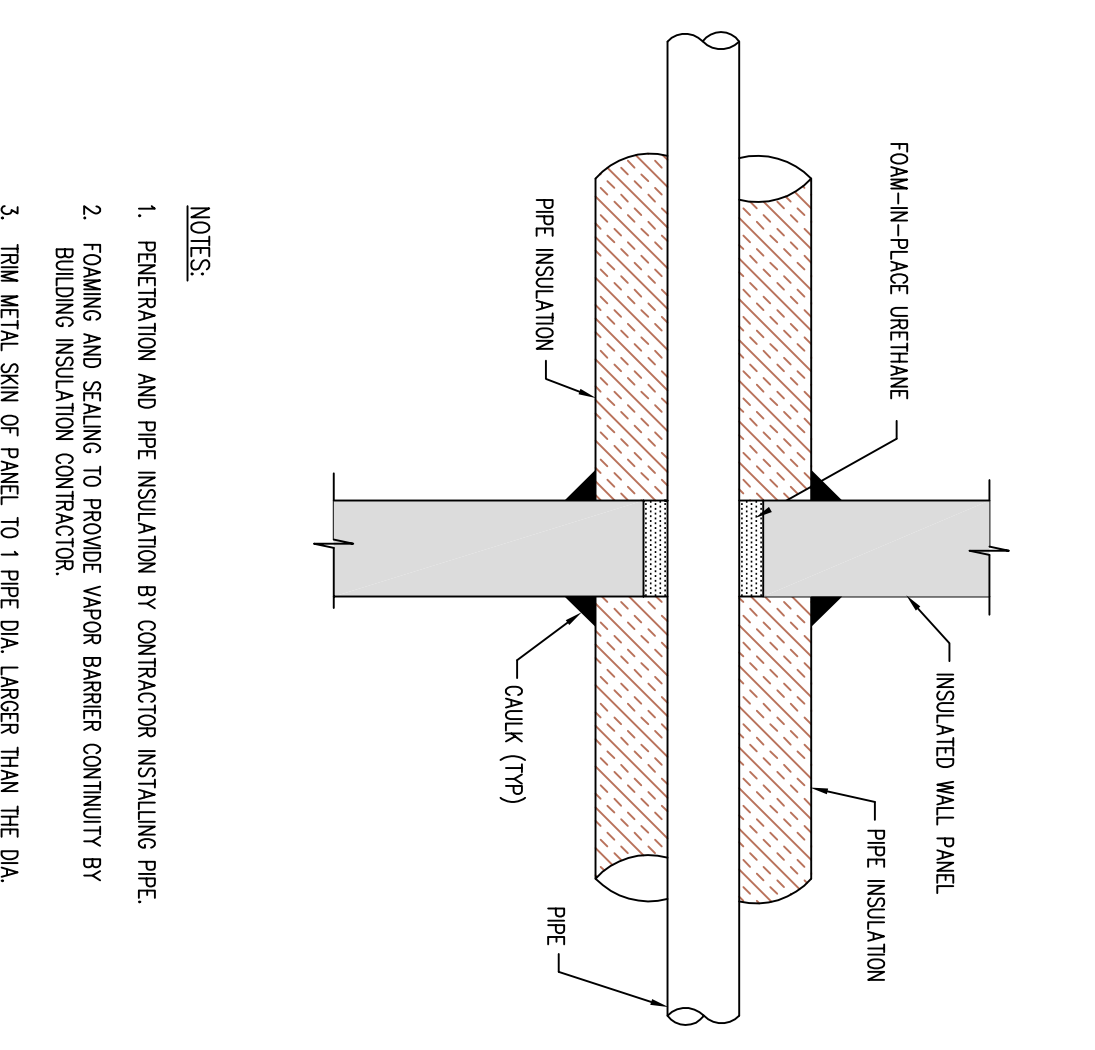
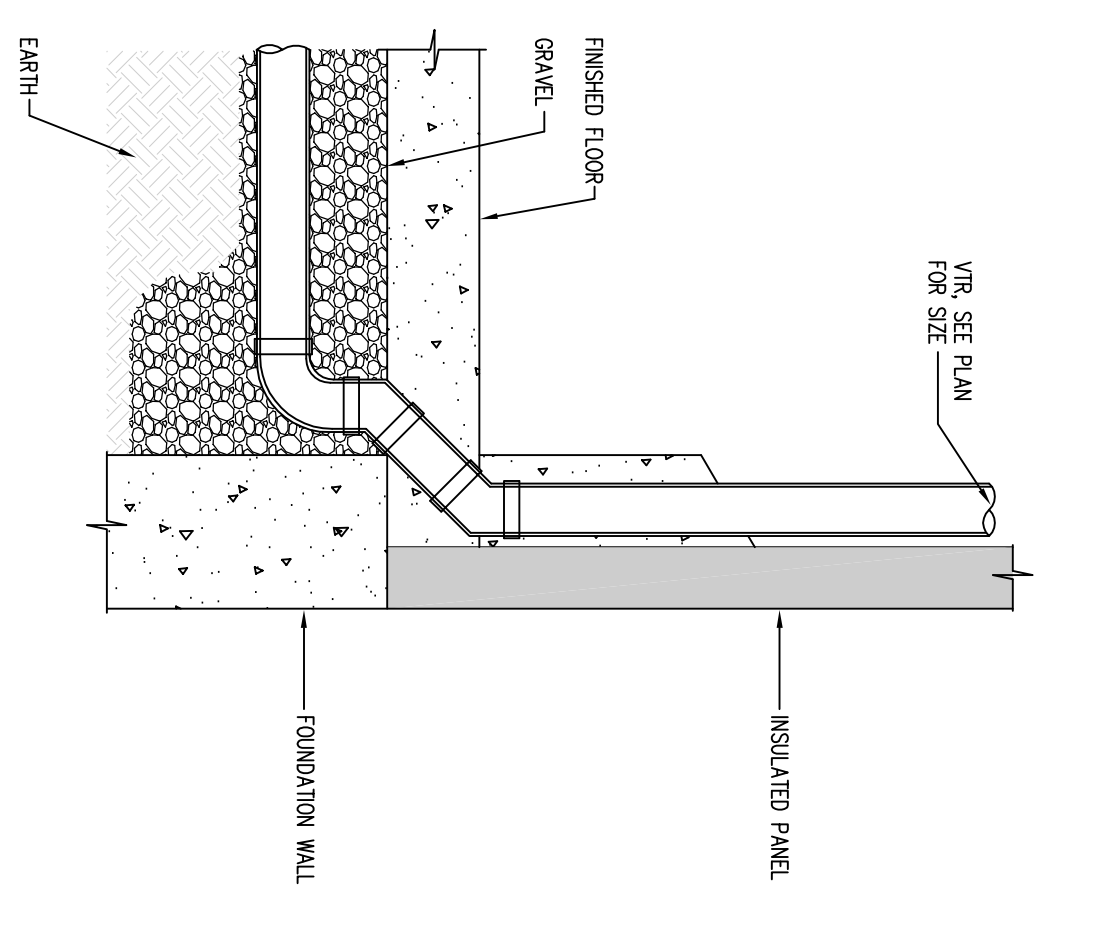
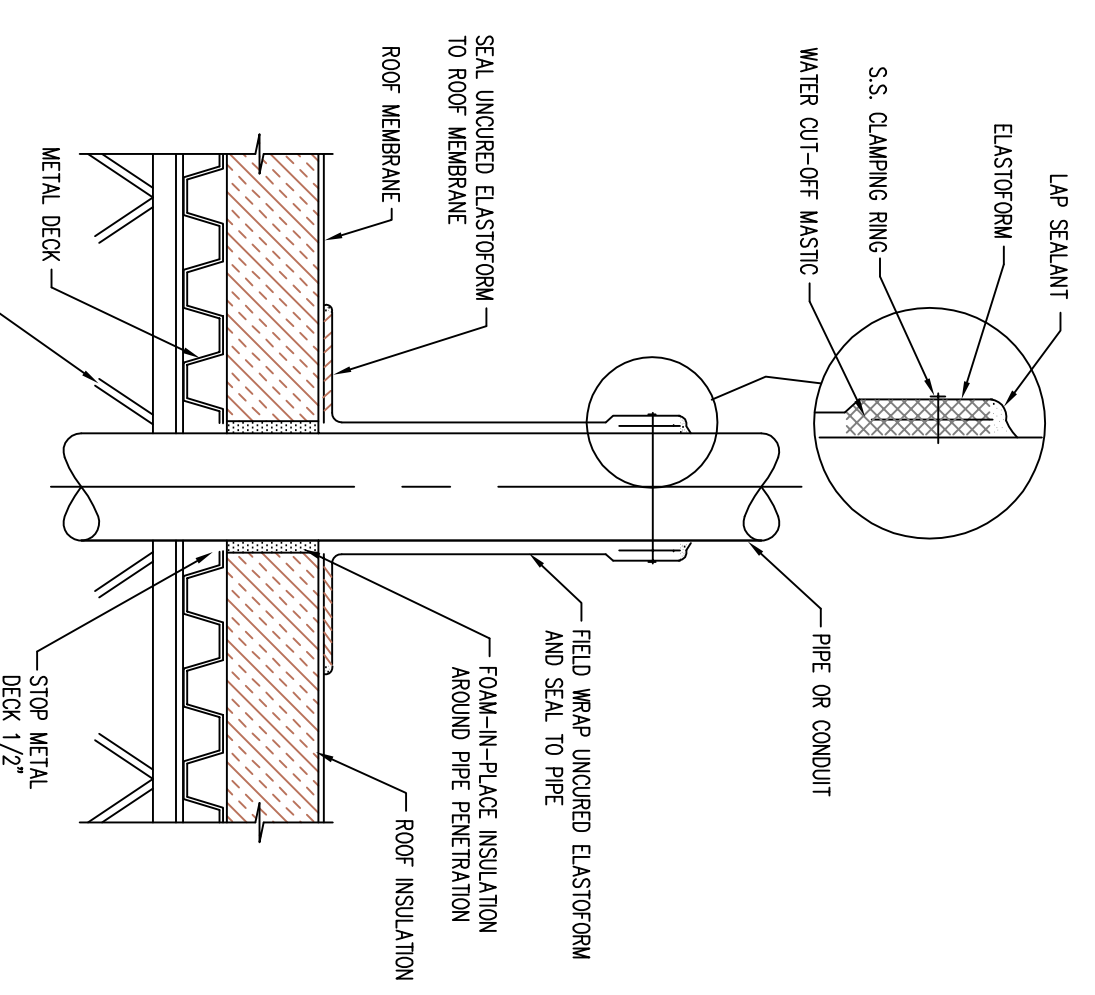


TEST OFFICE AND MEZZANINE UNDERFLOOR PIPING PLAN
SCALE: 1/8" = 1'-0"

TEST OFFICE AND MEZZANINE ABOVEFLOOR PIPING PLAN
SCALE: 1/8" = 1'-0"



DETAIL C
SCALE: 1/8" = 1'-0"

DETAIL D
SCALE: 1/8" = 1'-0"

DETAIL E
SCALE: 1/8" = 1'-0"

DETAIL F
SCALE: 1/8" = 1'-0"

DETAIL G
SCALE: 1/8" = 1'-0"

DETAIL H
SCALE: 1/8" = 1'-0"

DETAIL I
SCALE: 1/8" = 1'-0"

DETAIL J
SCALE: 1/8" = 1'-0"

DETAIL K
SCALE: 1/8" = 1'-0"

FACILITIES DESIGN, INC.
3904 Asad Drive
Columbia, Pennsylvania 17512
Phone: (717) 285-9442
Fax: (717) 285-3102
Email: info@facilitiesdesign.com
Web: www.facilitiesdesign.com

Engineering Design Services
Architectural Engineering
Building Systems
Fire Protection
HVAC
Mechanical
Process Engineering
Thermal Radiation
Transportation
Water Resources
Project Management
Project Cost Estimation
Project Scheduling
Project Control Systems

NO.	REVISIONS	DATE
1	ISSUED FOR BIDDING	8-29-03
2		
3		
4		
5		
6		
7		
8		
9		
10		

This drawing and all information contained herein, remains the property of FACILITIES DESIGN, INC. and shall not be reproduced, stored in a retrieval system, or transmitted in any form or by any means, electronic, mechanical, photocopying, recording, or by any information storage and retrieval system, without the prior written permission of FACILITIES DESIGN, INC. Do not scale drawing. Contractor shall be responsible for any discrepancies that may exist between this drawing and the actual construction. Any discrepancies shall refer to construction for resolution.

PROJECT MANAGER: M.A.S.
DESIGNED BY: J.P.B.
DRAWN BY: J.P.B.
CHECKED BY: G.S.T.
SCALE:

Oakhurst DAIRY
NEW MILK COOLER

PROJECT NUMBER: 2003.1141.0
DATE: AUGUST 29, 2003
DRAWING TITLE: PARTIAL PLAN AND DETAILS
DRAWING NUMBER: P200
REVISION: 0