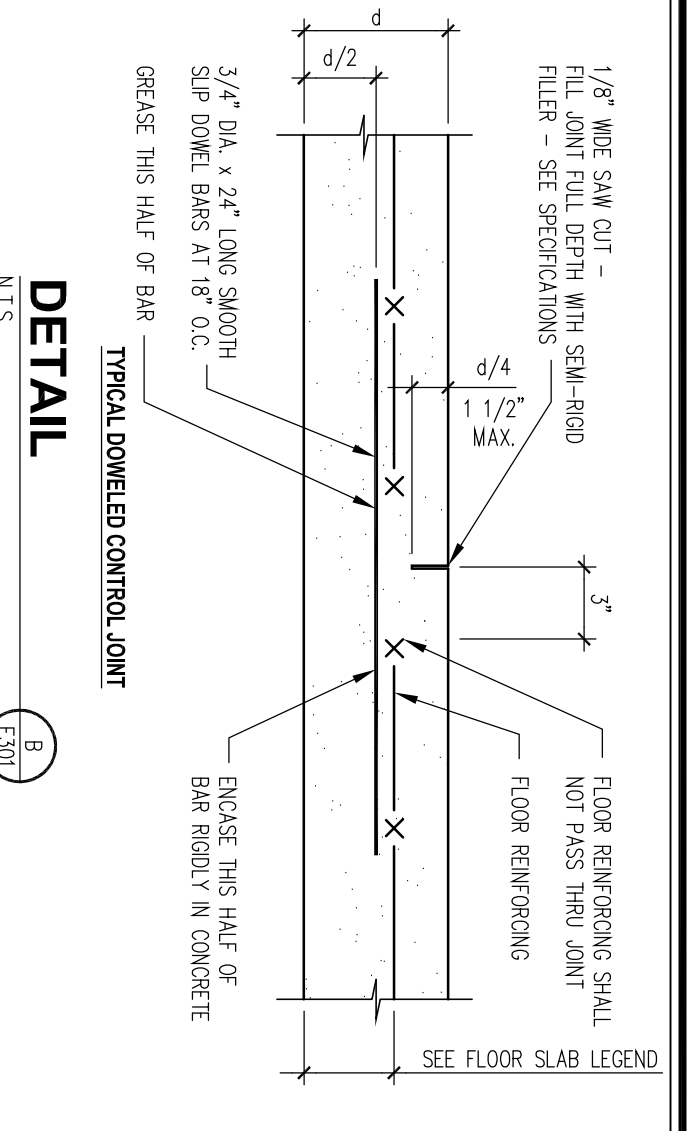
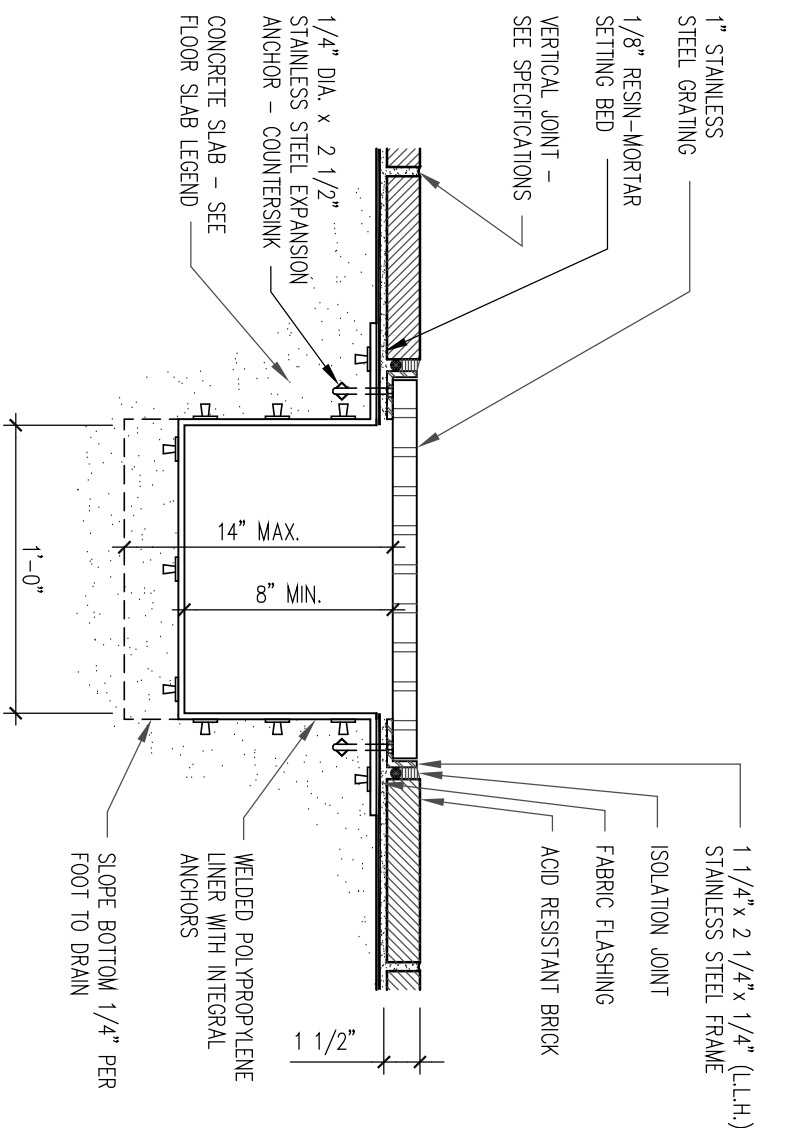


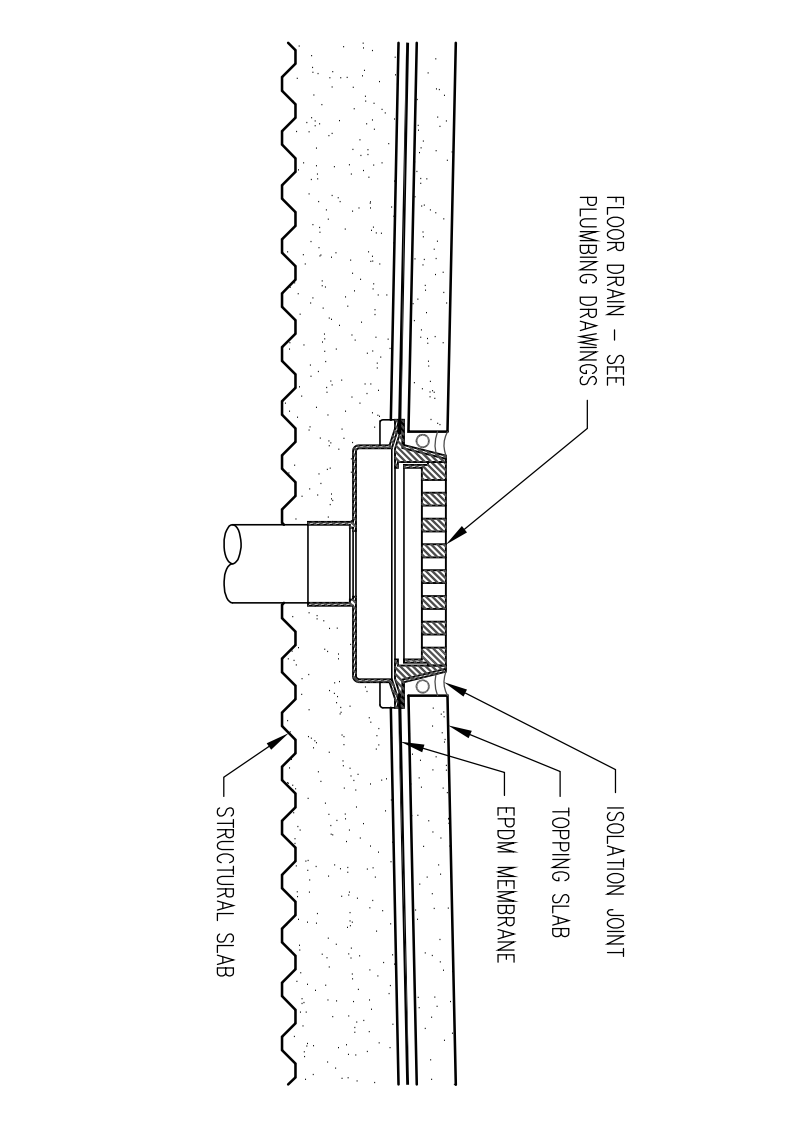
DETAIL TYPICAL COLUMN ISOLATION JOINTS AT TYPICAL FLOOR JOINT. N.T.S.



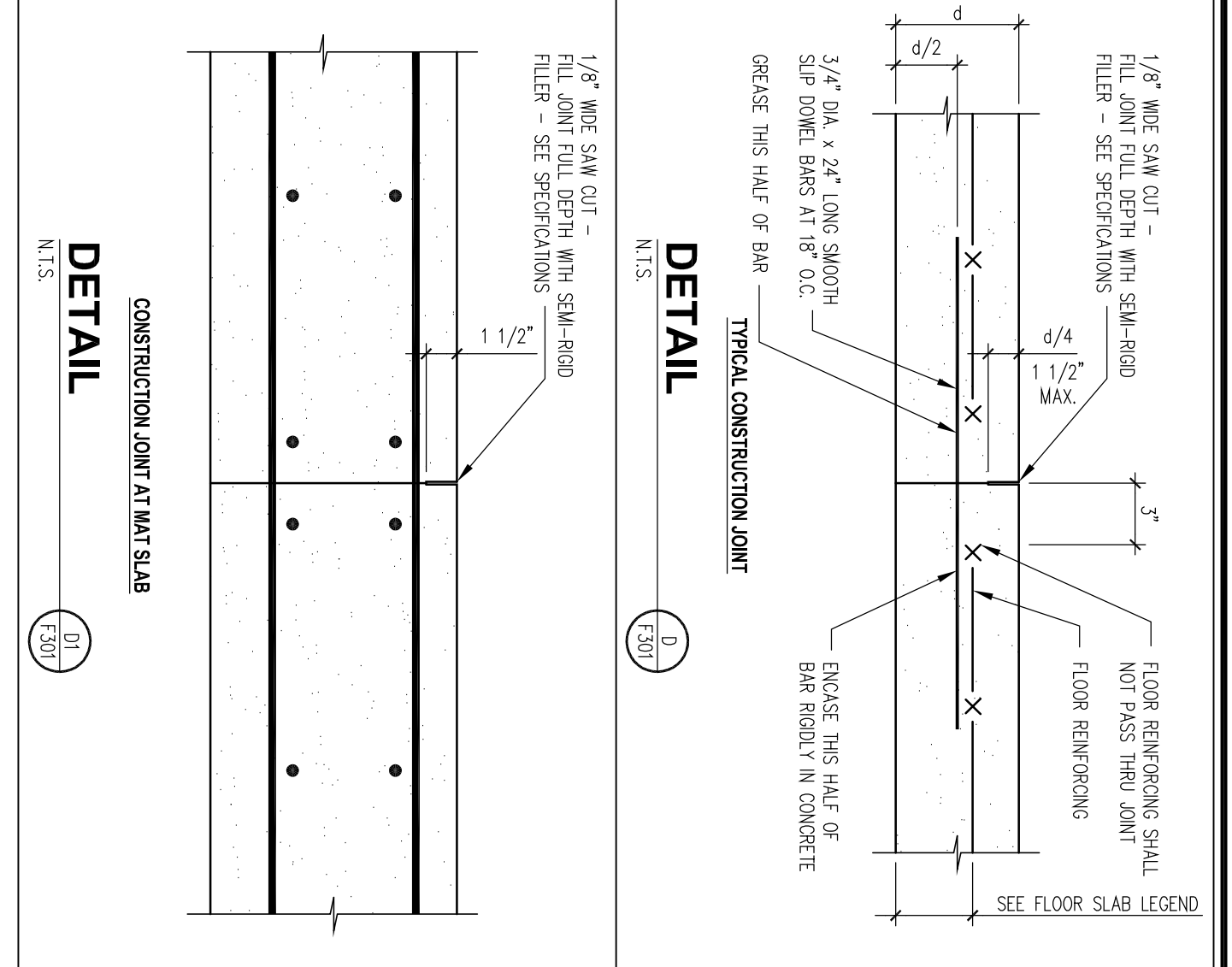
DETAIL TYPICAL COLUMN ISOLATION JOINTS AT EDGE OF BUILDING. N.T.S.



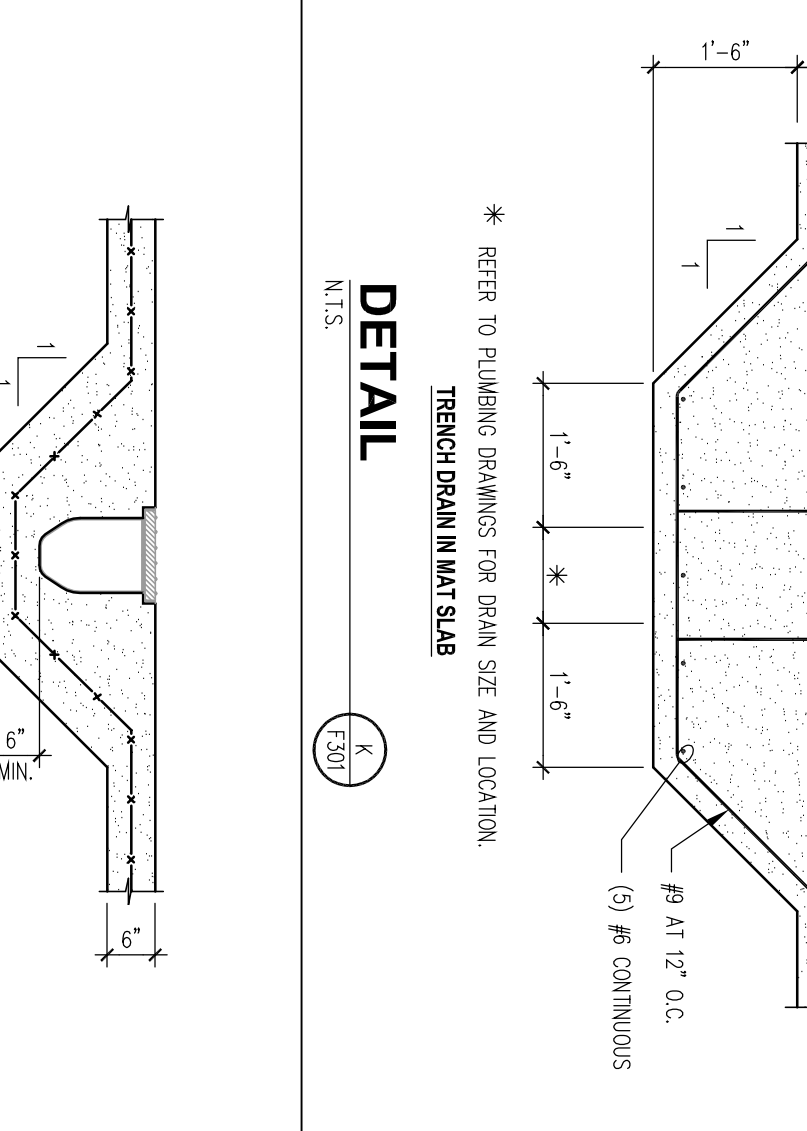
DETAIL TYPICAL COLUMN ISOLATION JOINTS AT TYPICAL FLOOR JOINT. N.T.S.



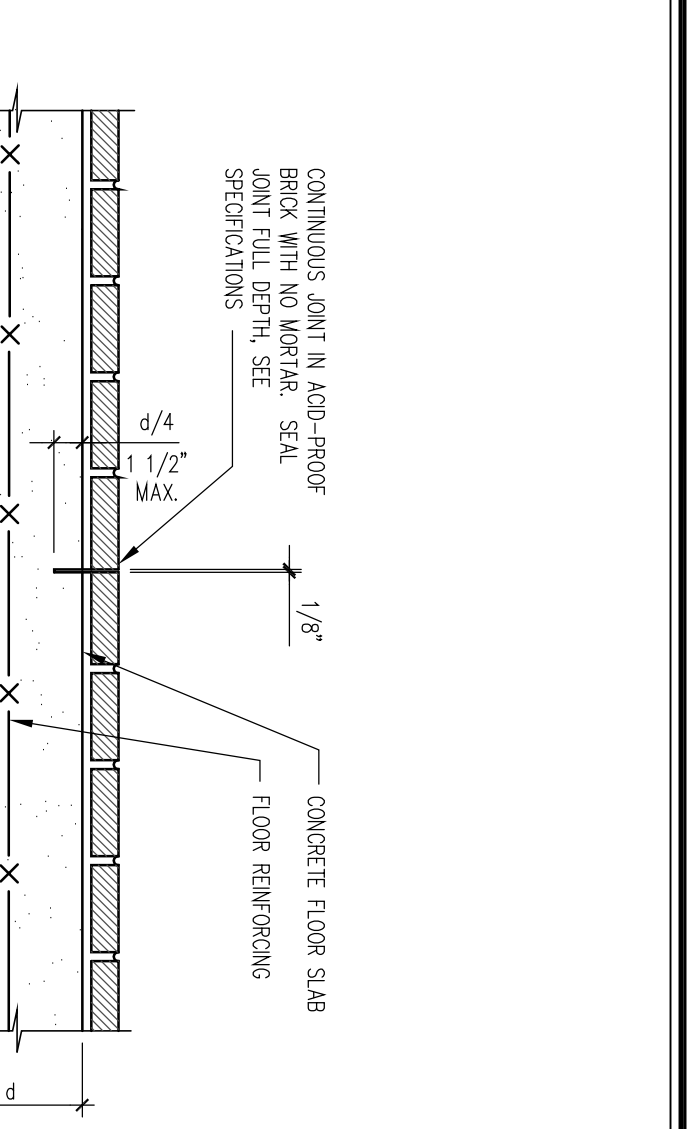
DETAIL TYPICAL CONTROL JOINT. N.T.S.



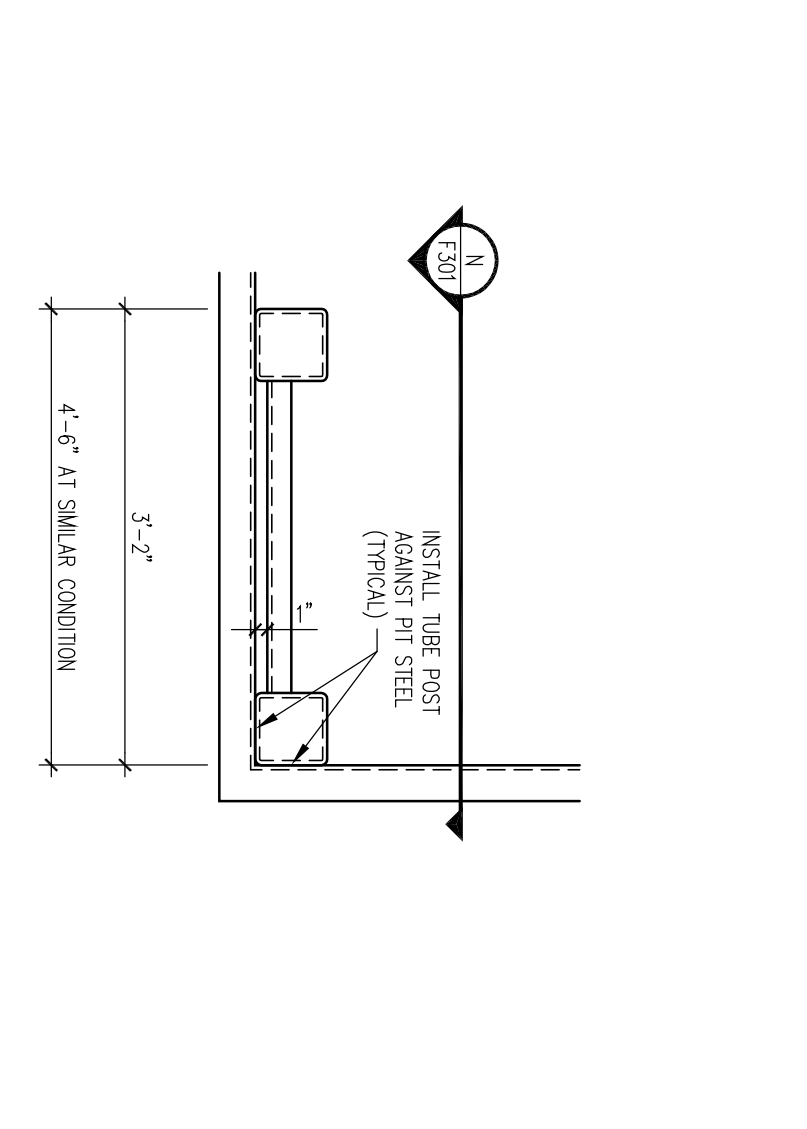
DETAIL TYPICAL DOWNED CONTROL JOINT. N.T.S.



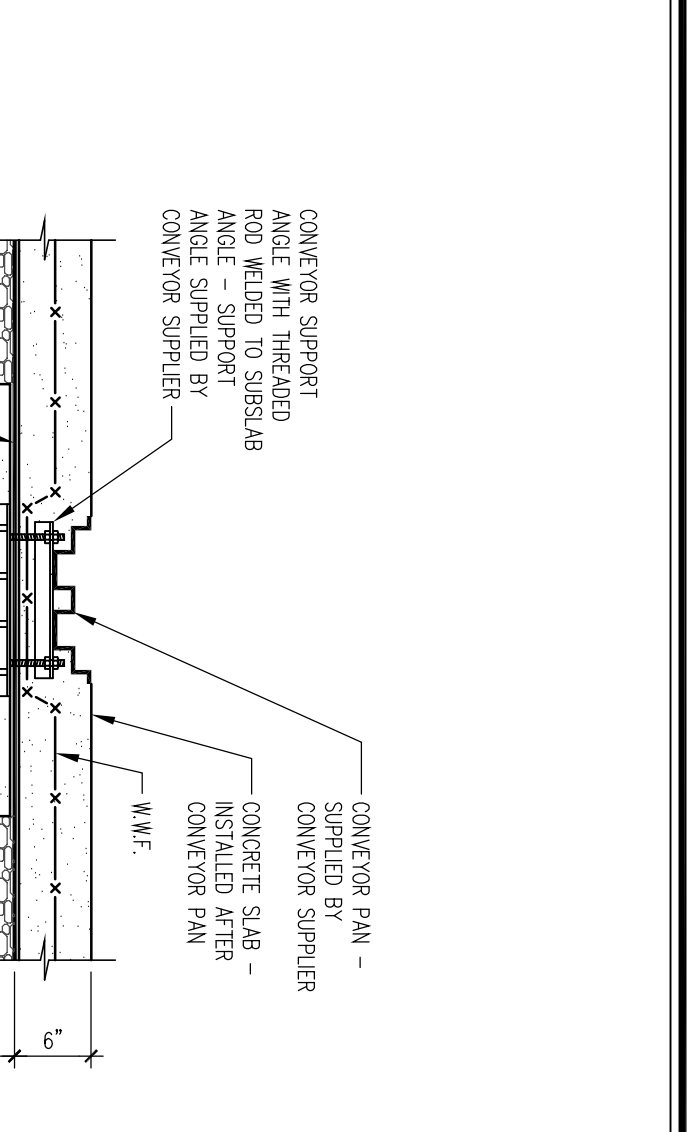
DETAIL TRENCH DRAIN IN MAIN SLAB. N.T.S.



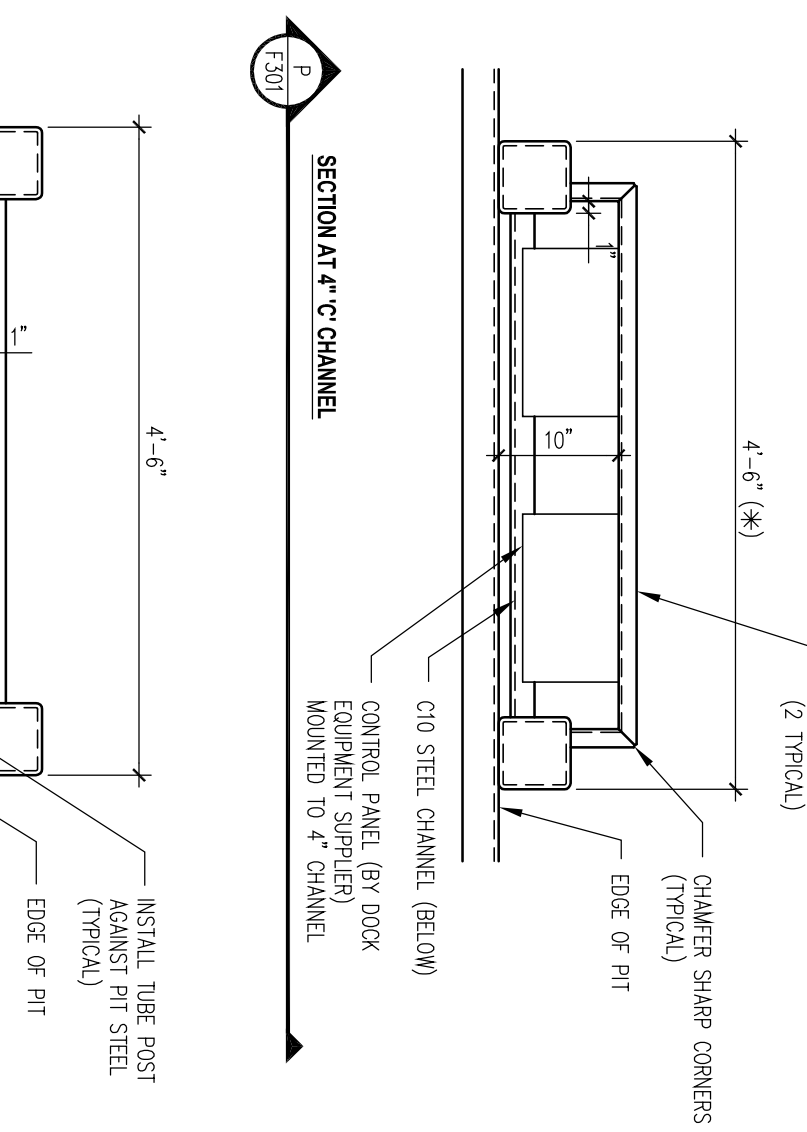
DETAIL TYPICAL SAW CUT JOINT IN EDGE OF FLOOR. N.T.S.



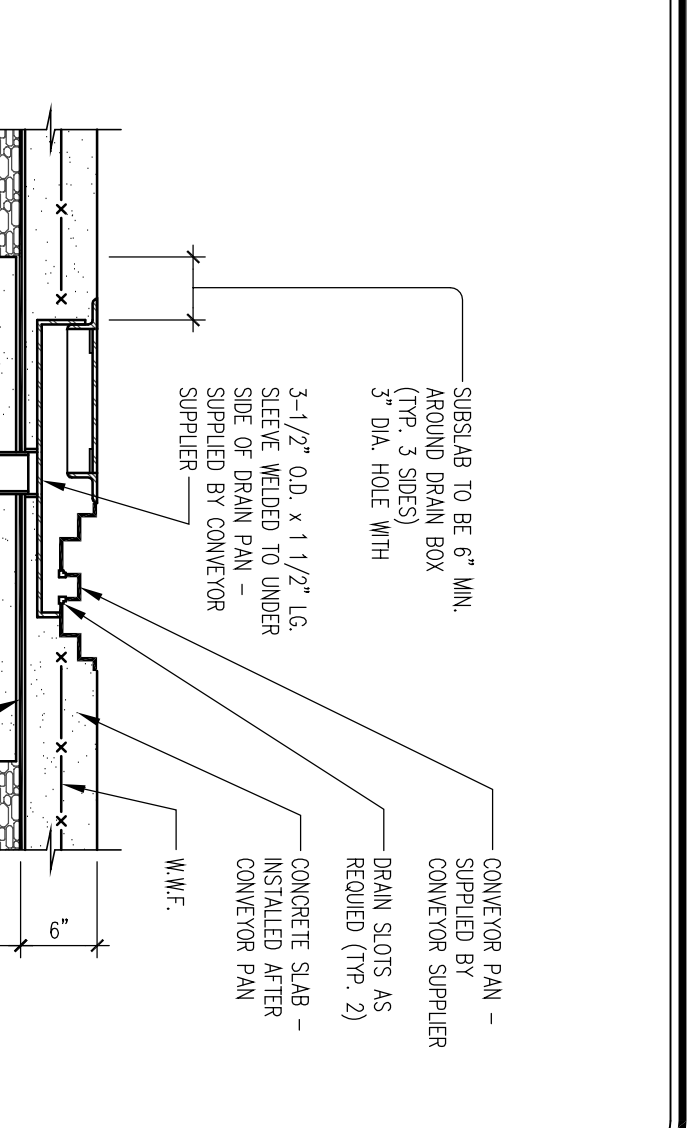
DETAIL TYPICAL SAW CUT JOINT IN EDGE OF FLOOR. N.T.S.



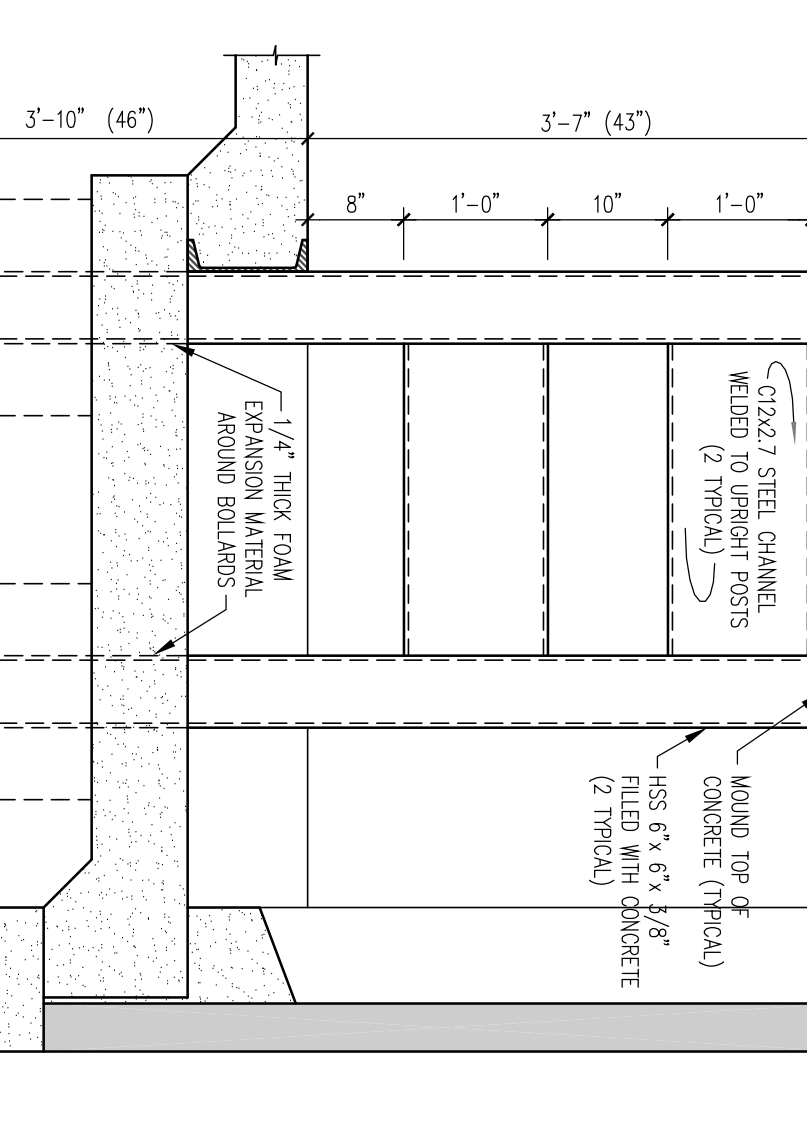
DETAIL. N.T.S.



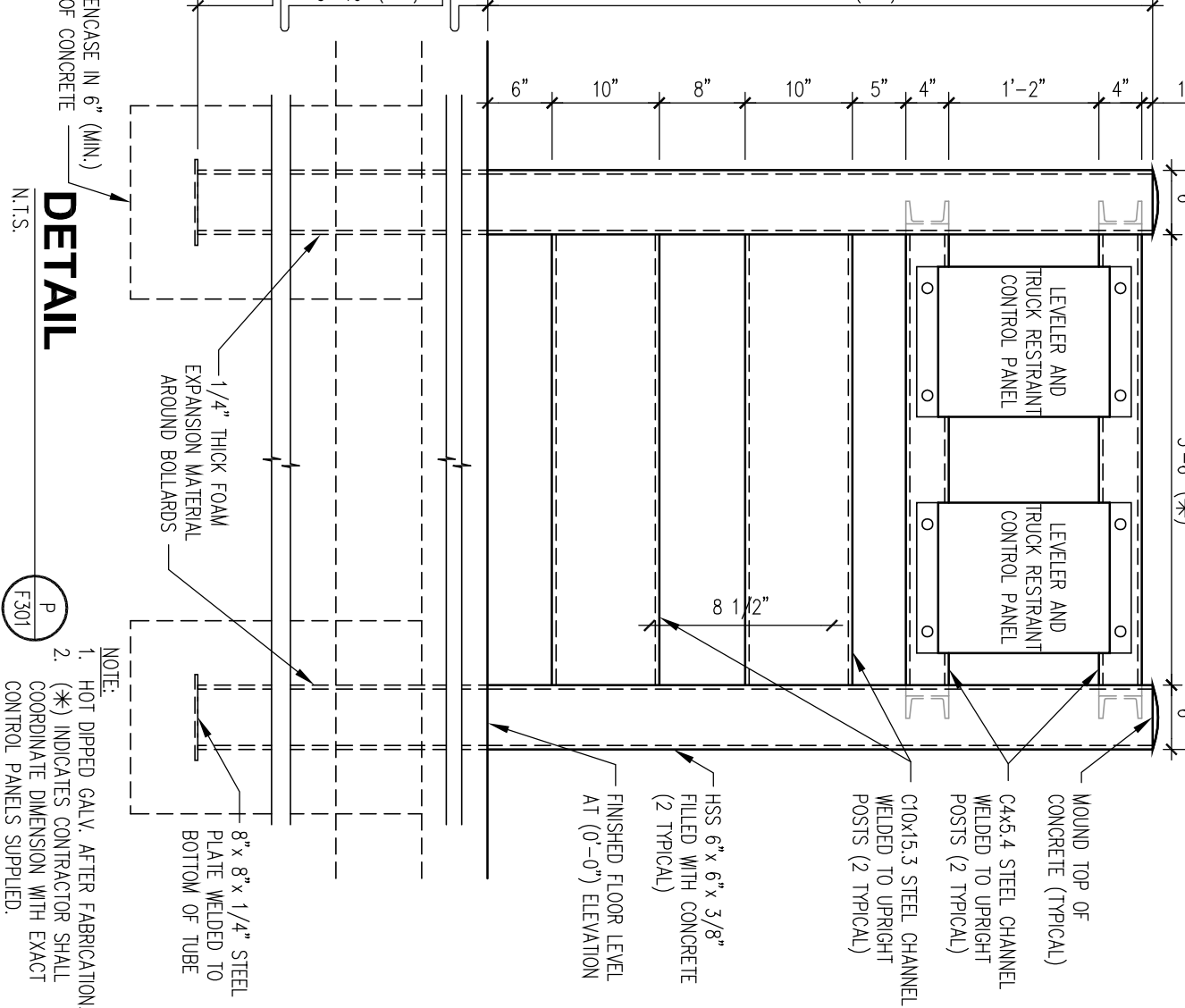
DETAIL. N.T.S.



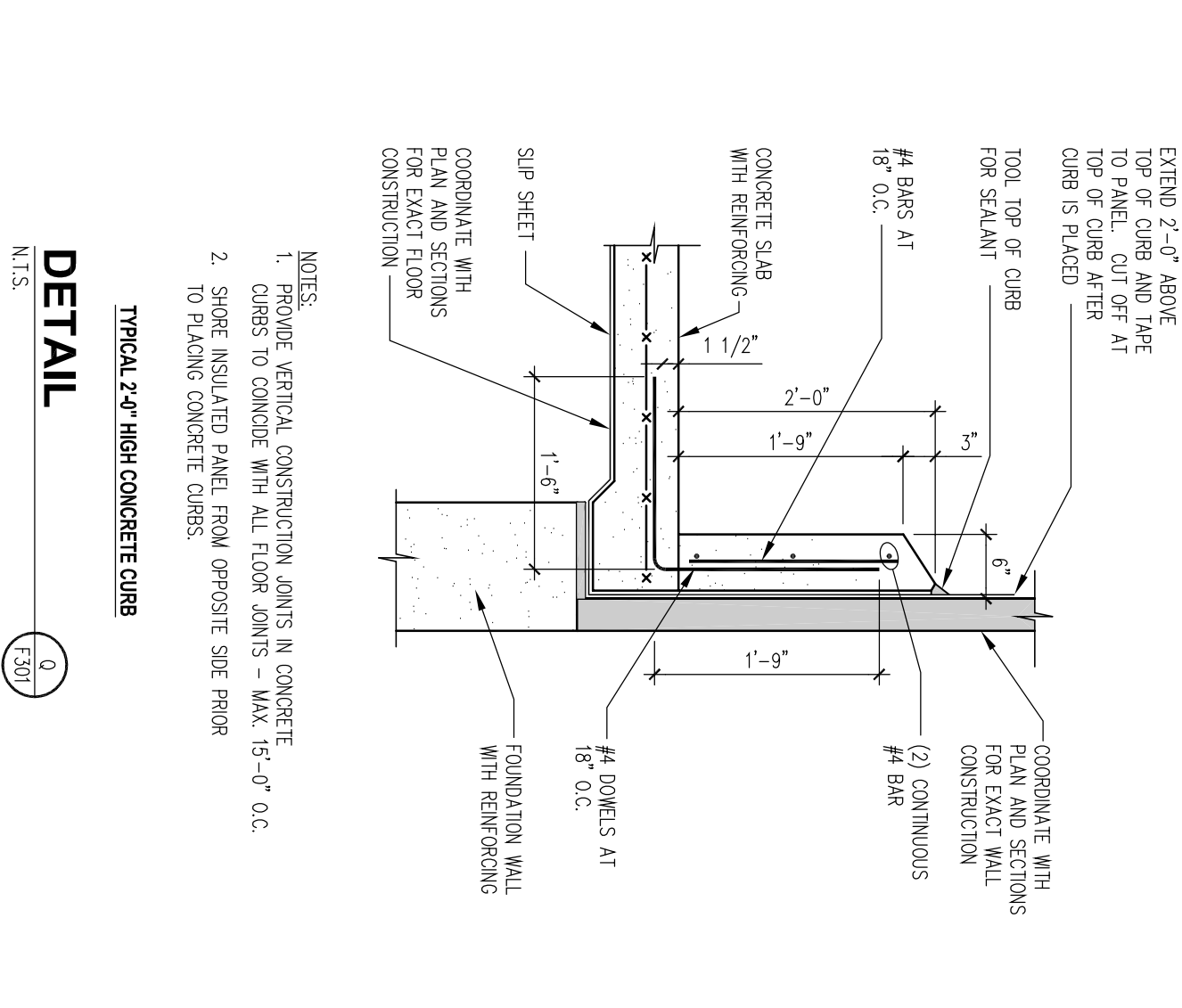
DETAIL. N.T.S.



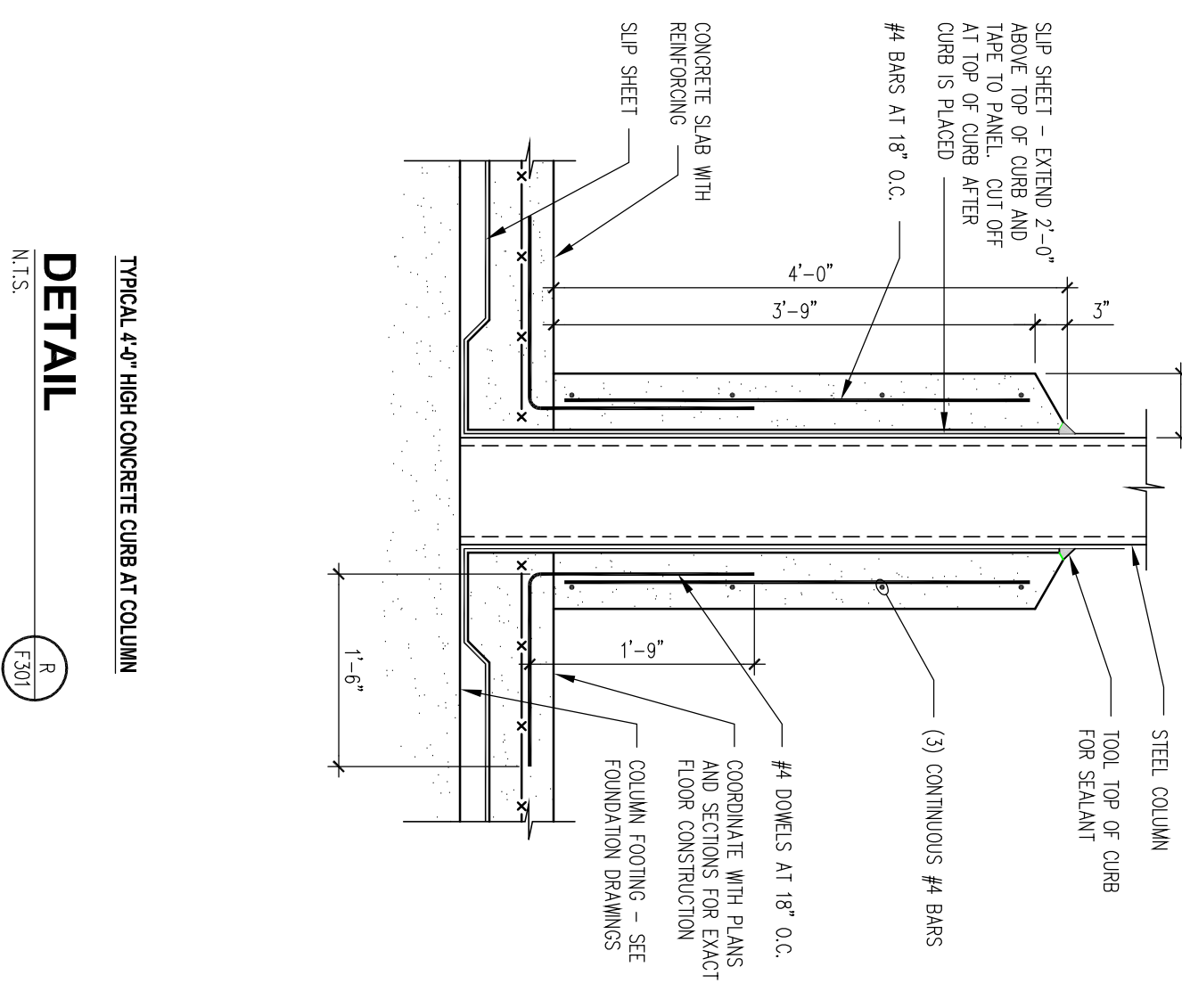
DETAIL. N.T.S.



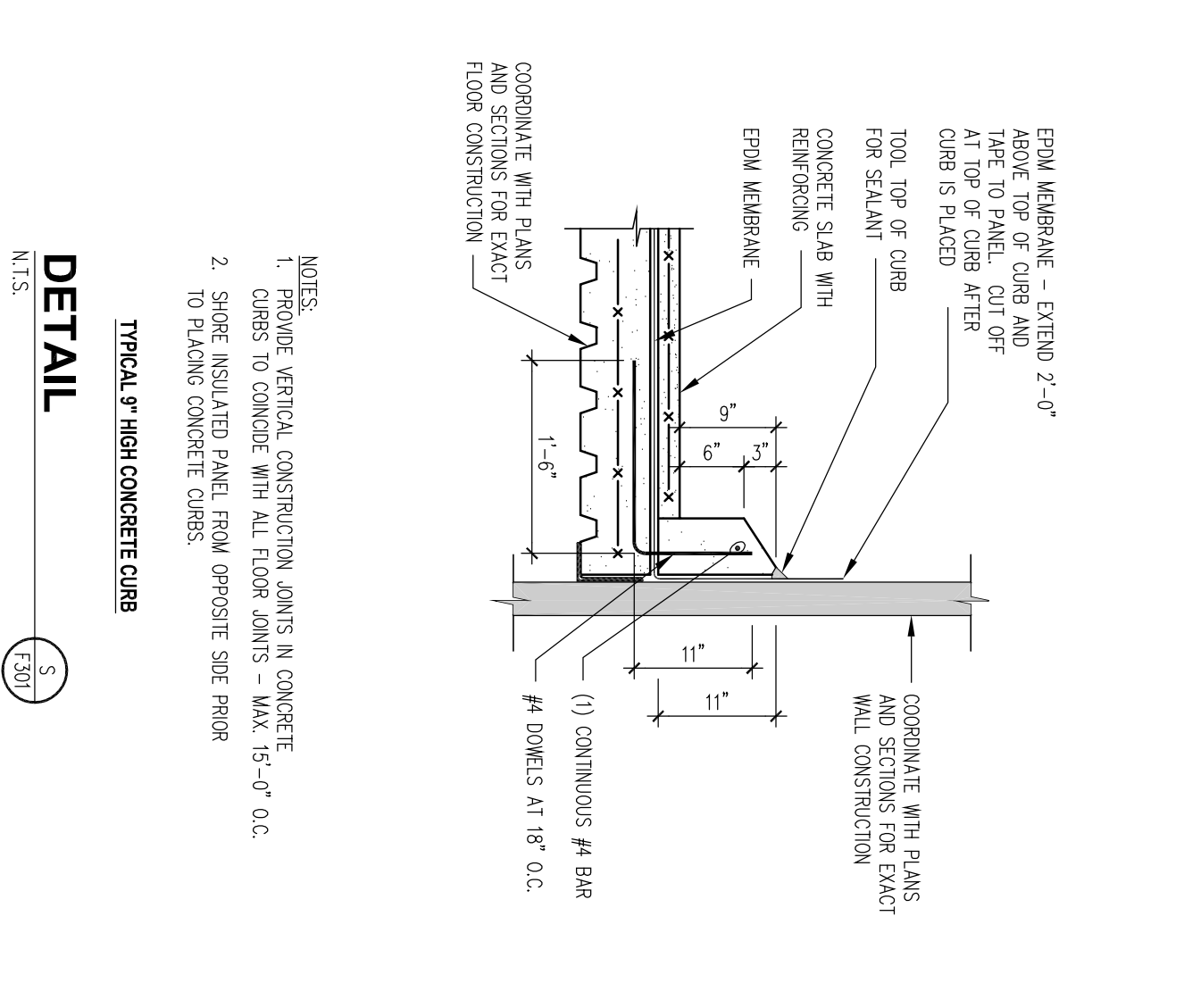
DETAIL. N.T.S.



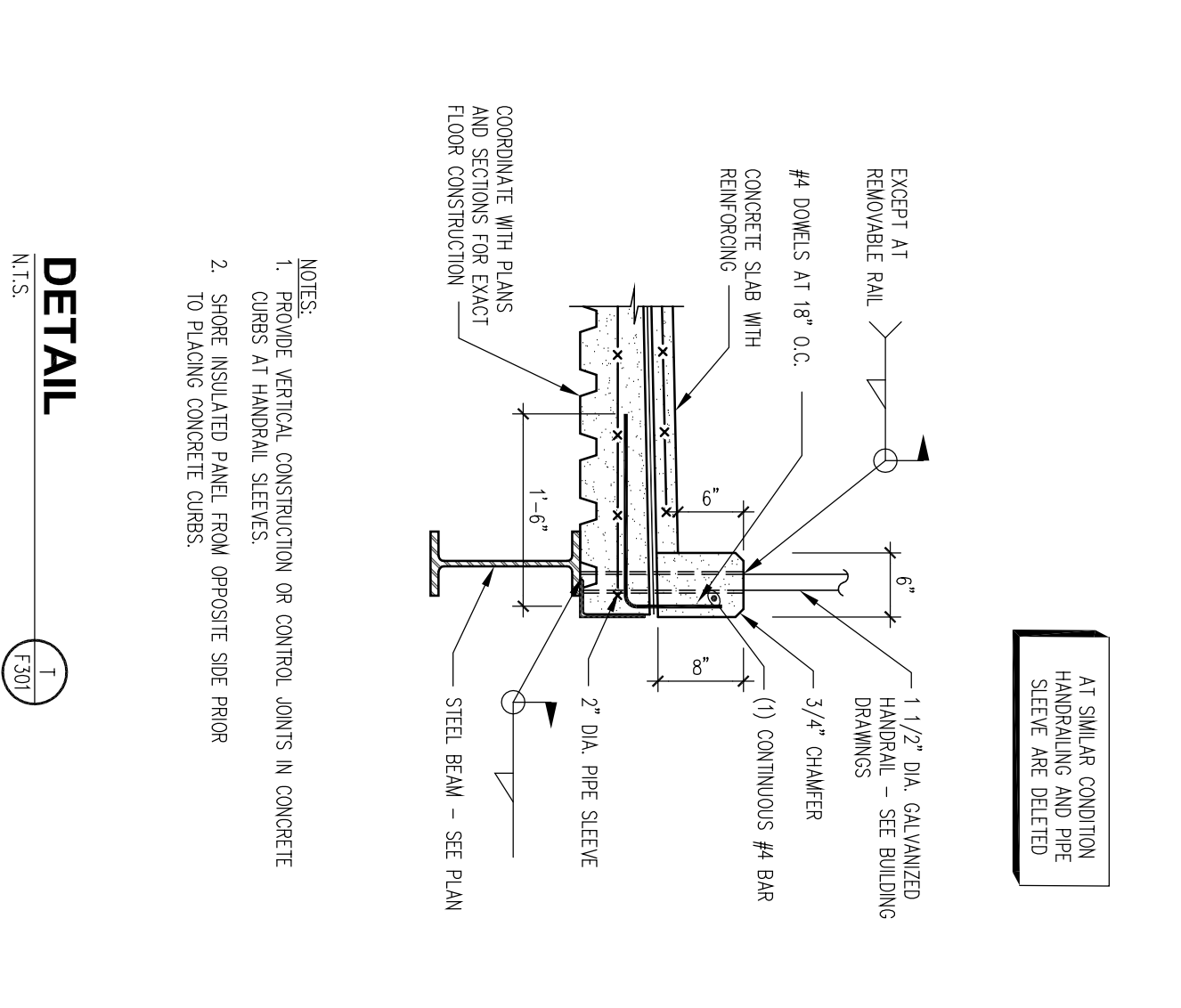
DETAIL. N.T.S.



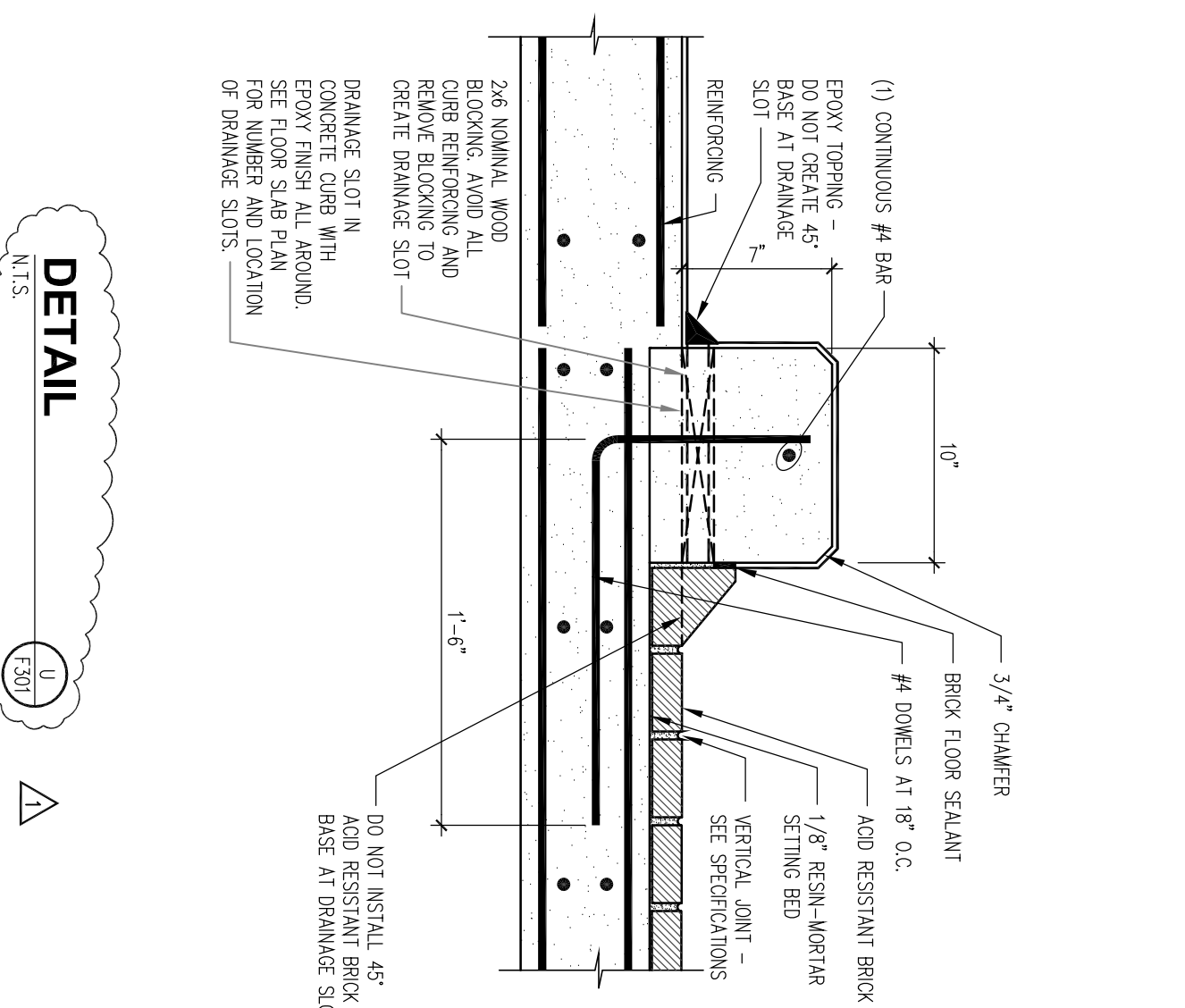
DETAIL. N.T.S.



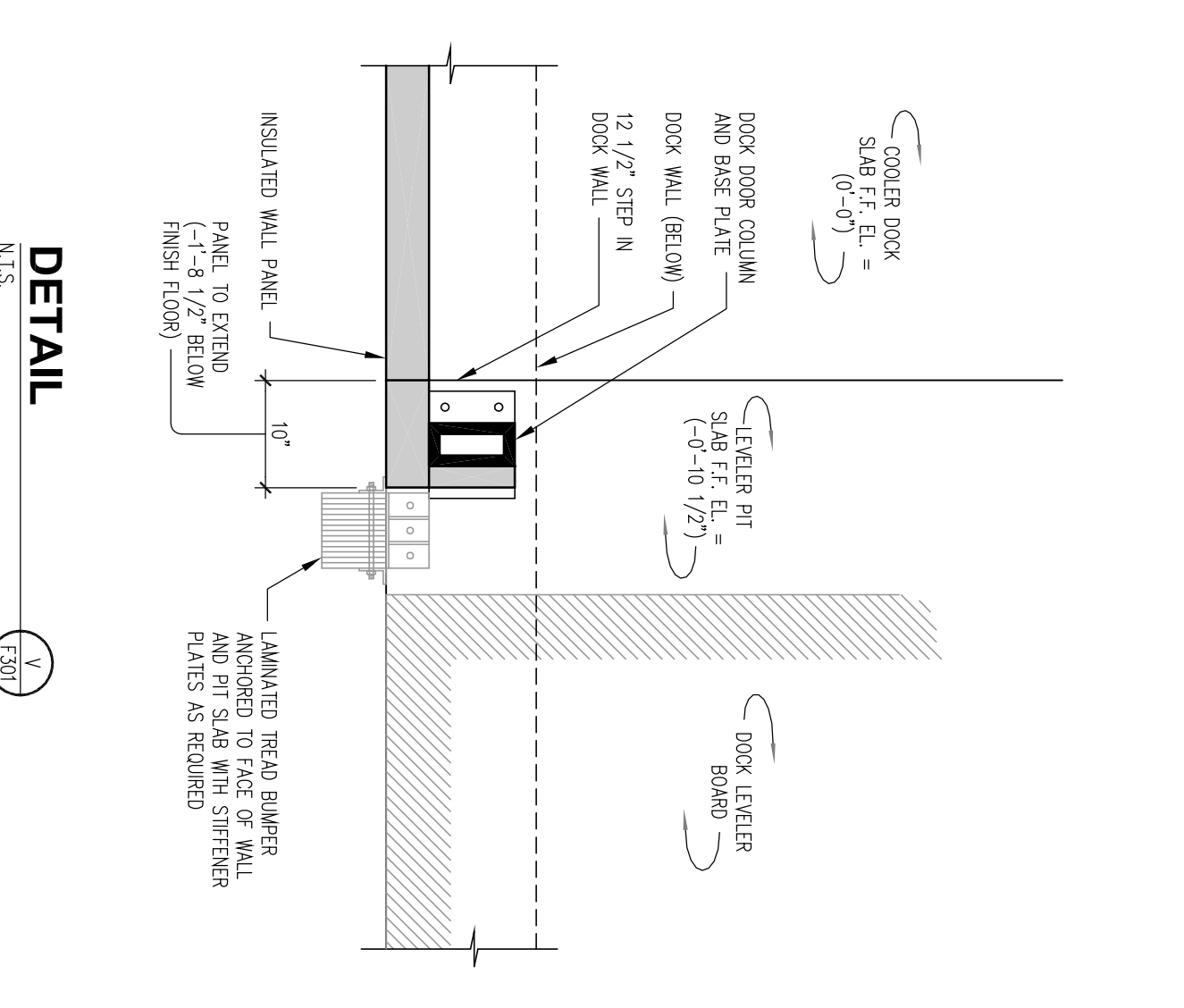
DETAIL. N.T.S.



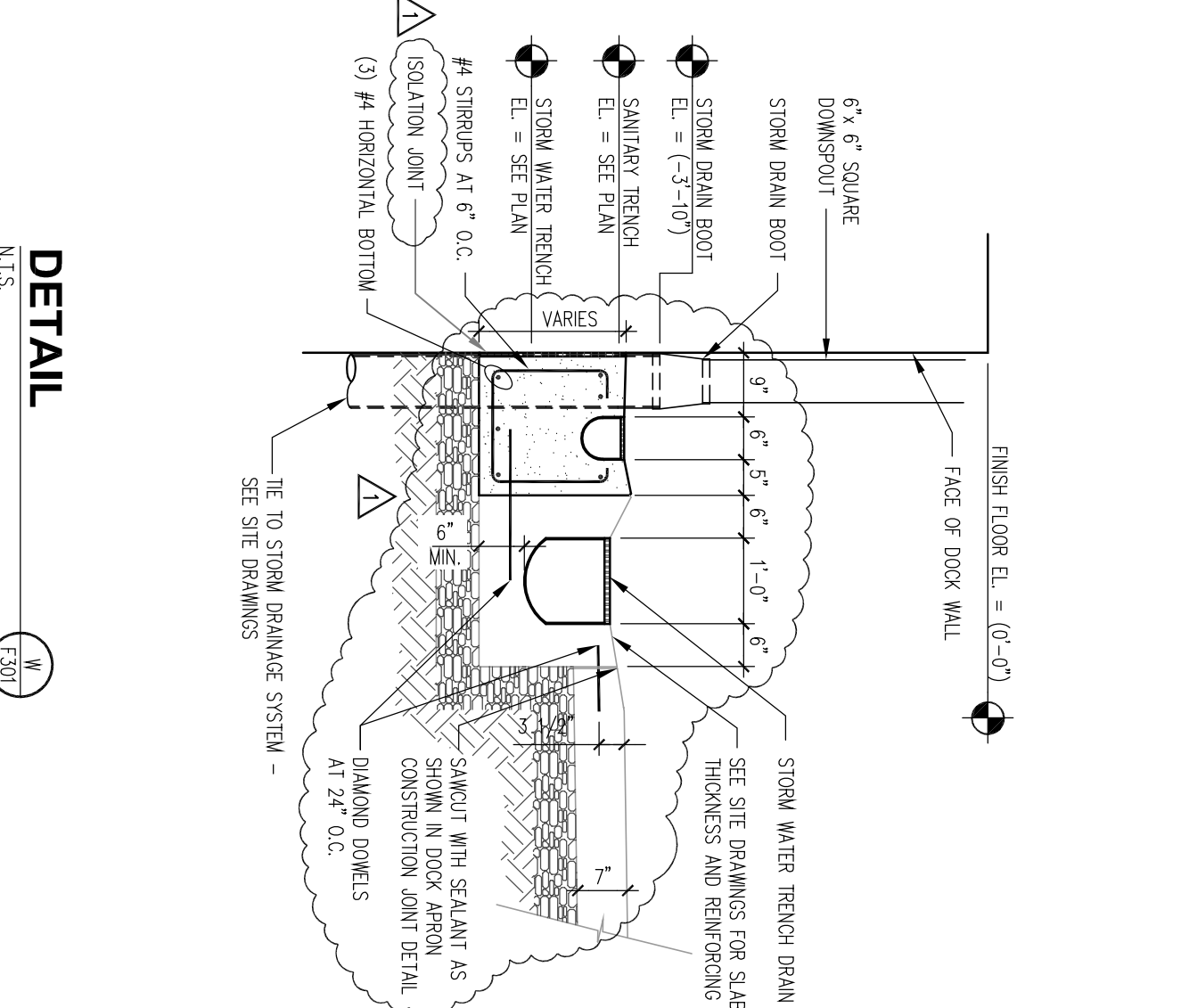
DETAIL. N.T.S.



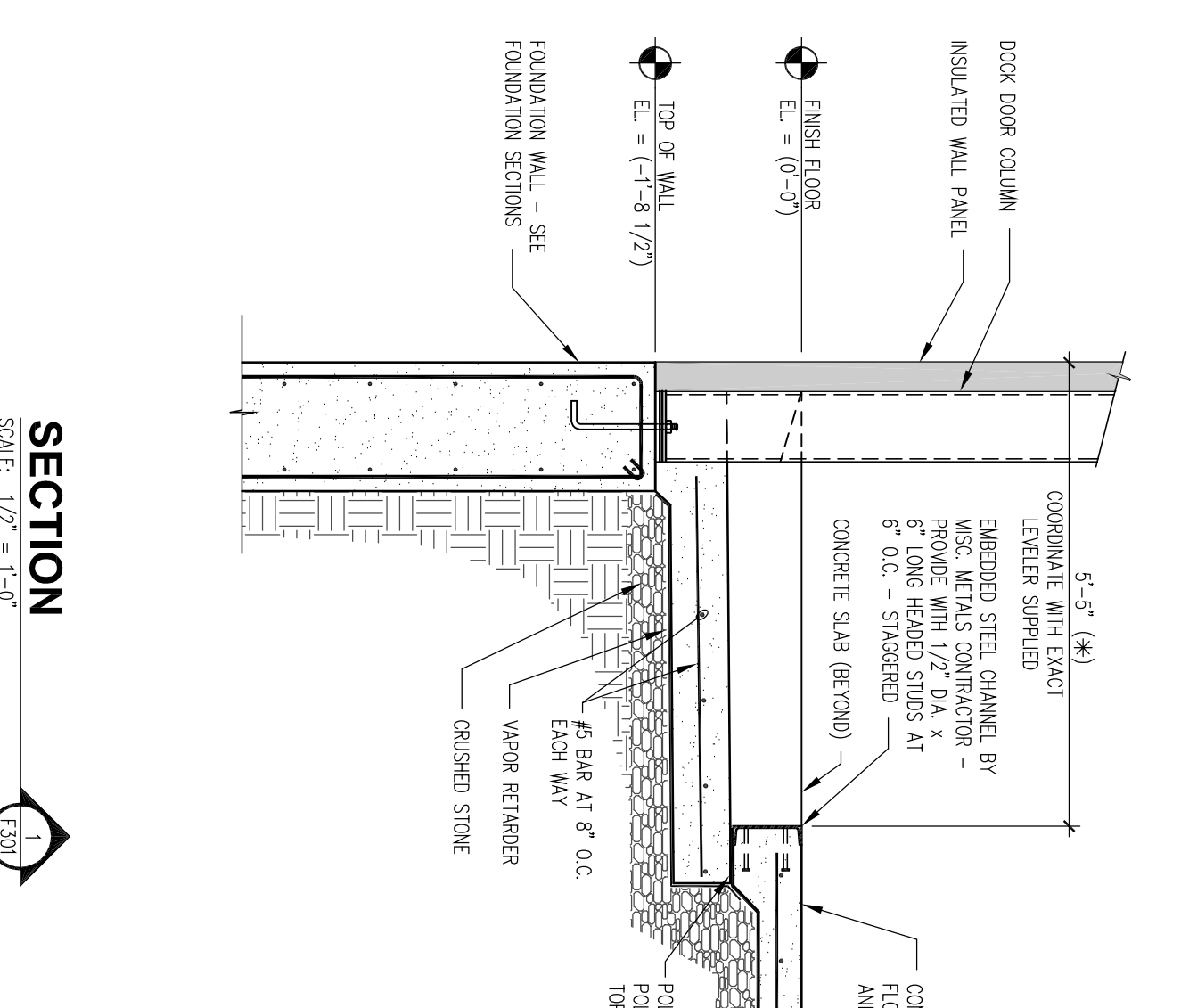
DETAIL. N.T.S.



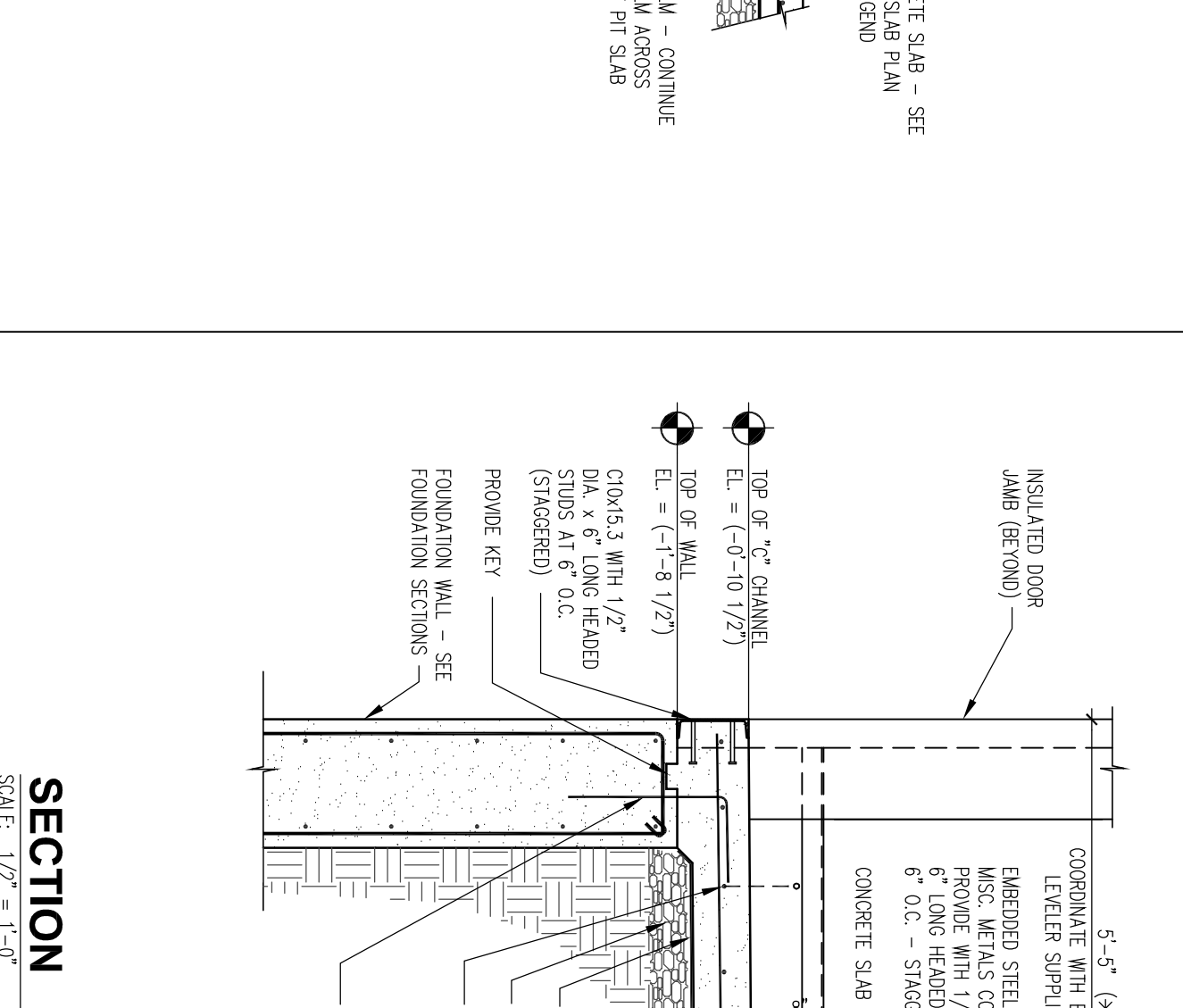
DETAIL. N.T.S.



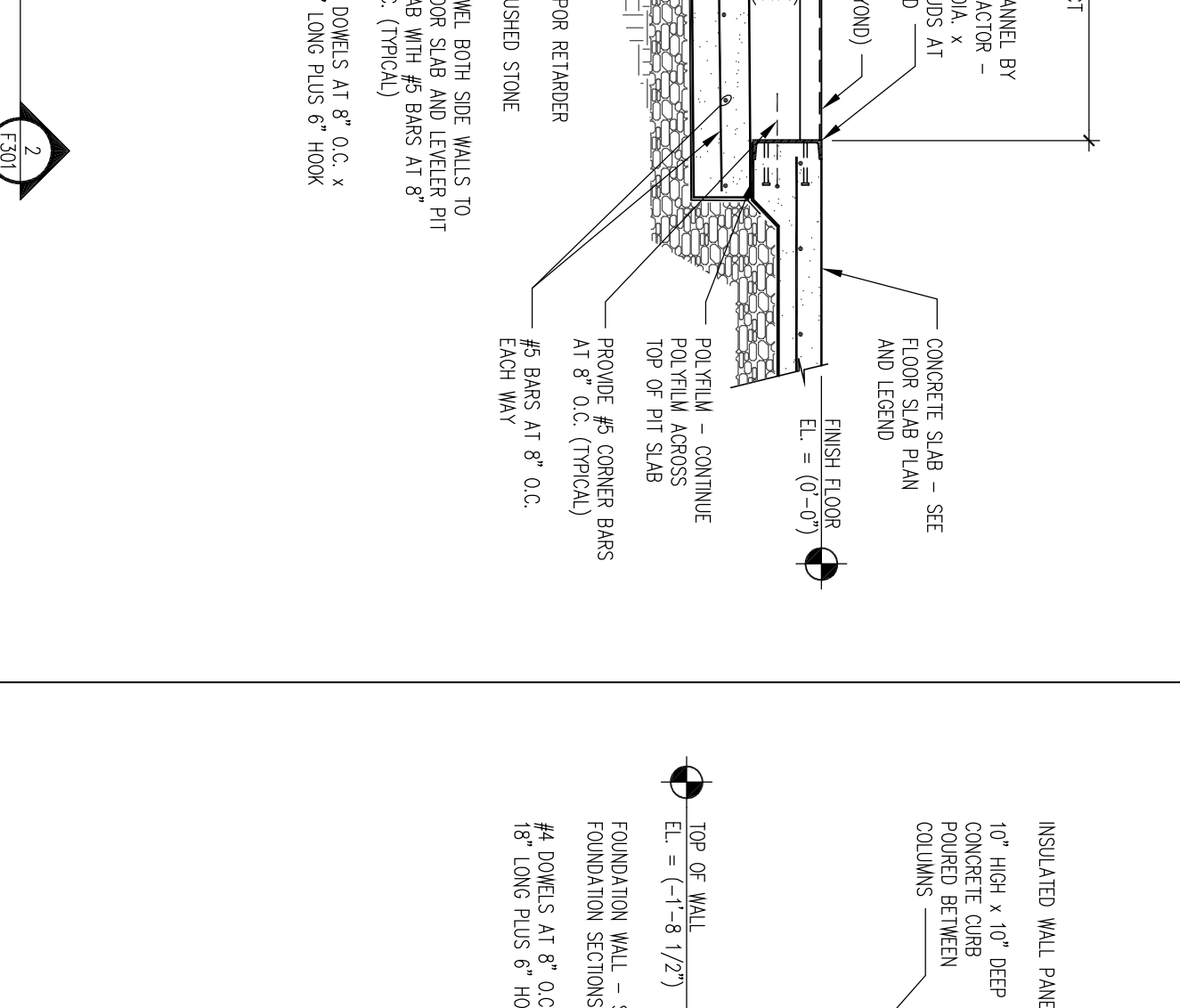
DETAIL. N.T.S.



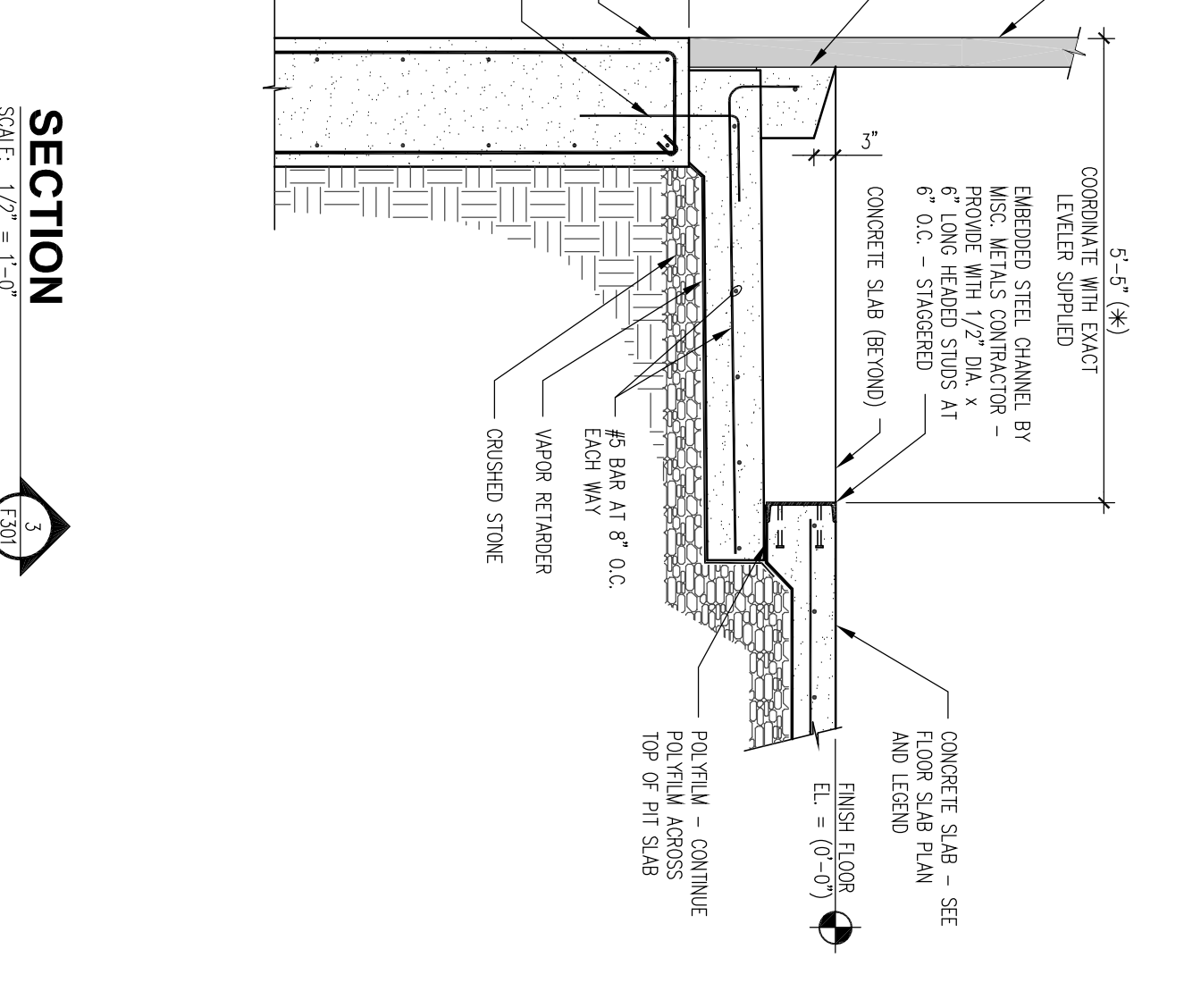
SECTION. SCALE: 1/2\"/>



SECTION. SCALE: 1/2\"/>



SECTION. SCALE: 1/2\"/>



SECTION. SCALE: 1/2\"/>

FACILITIES DESIGN, INC. 3904 Auld Drive Columbia, Pennsylvania 17512 Phone: (717) 285-9442 Fax: (717) 285-3102 Email: info@facilitiesdesign.com Web: www.facilitiesdesign.com CA Number: 200018

Table with 4 columns: REVISIONS, APPROVAL NO. 2, ISSUED FOR RECORD, and DATES (08-29-03, 09-24-03).

PROJECT: NEW MILK COOLER. DRAWING NUMBER: 2003.1141.0. DATE: AUGUST 29, 2003. PROJECT: 384 FOREST AVENUE PORTLAND, MAINE 04101. DRAWING TITLE: FLOOR SLAB DETAILS. DRAWING NUMBER: F301. REVISION: 1.