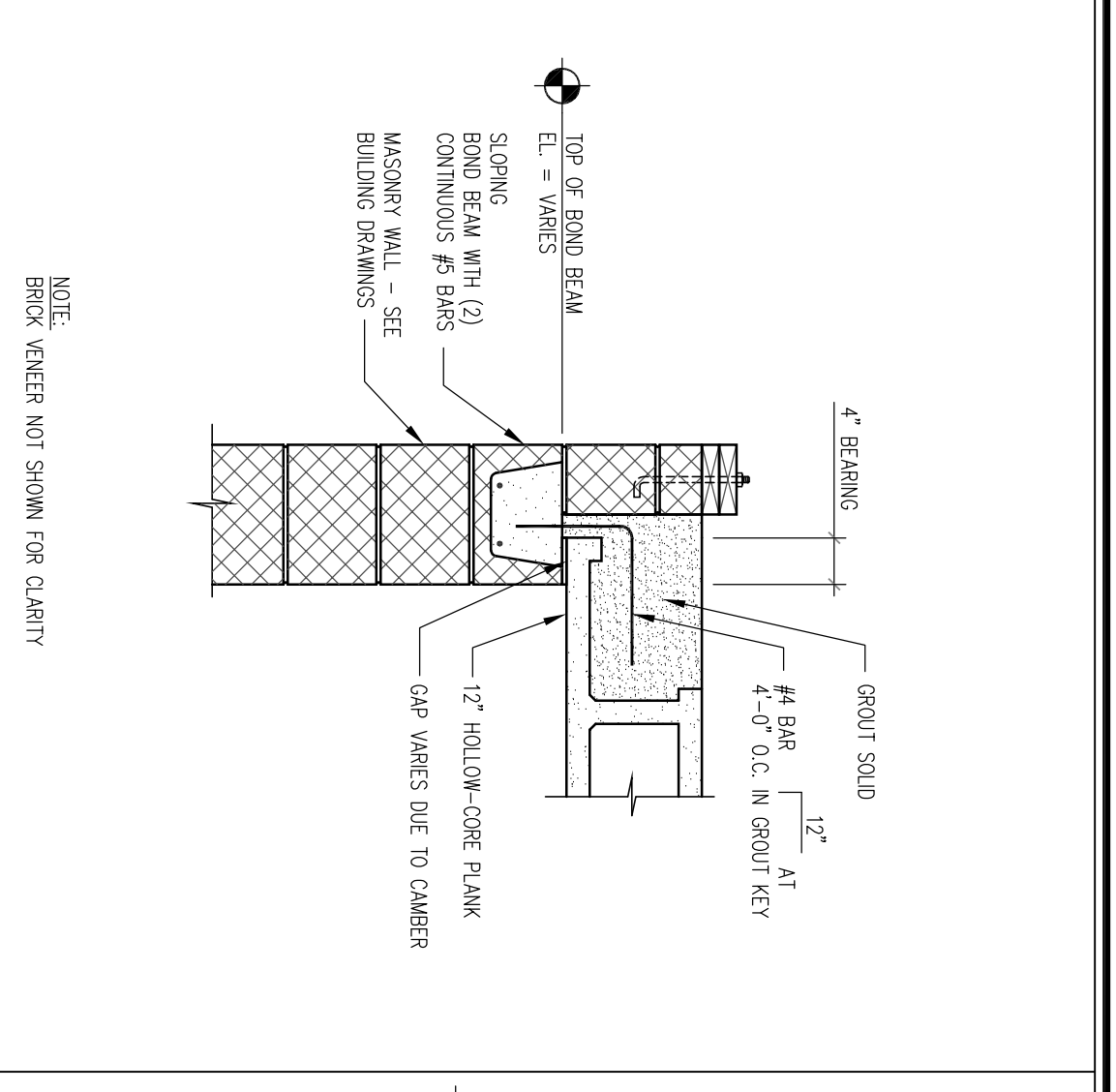
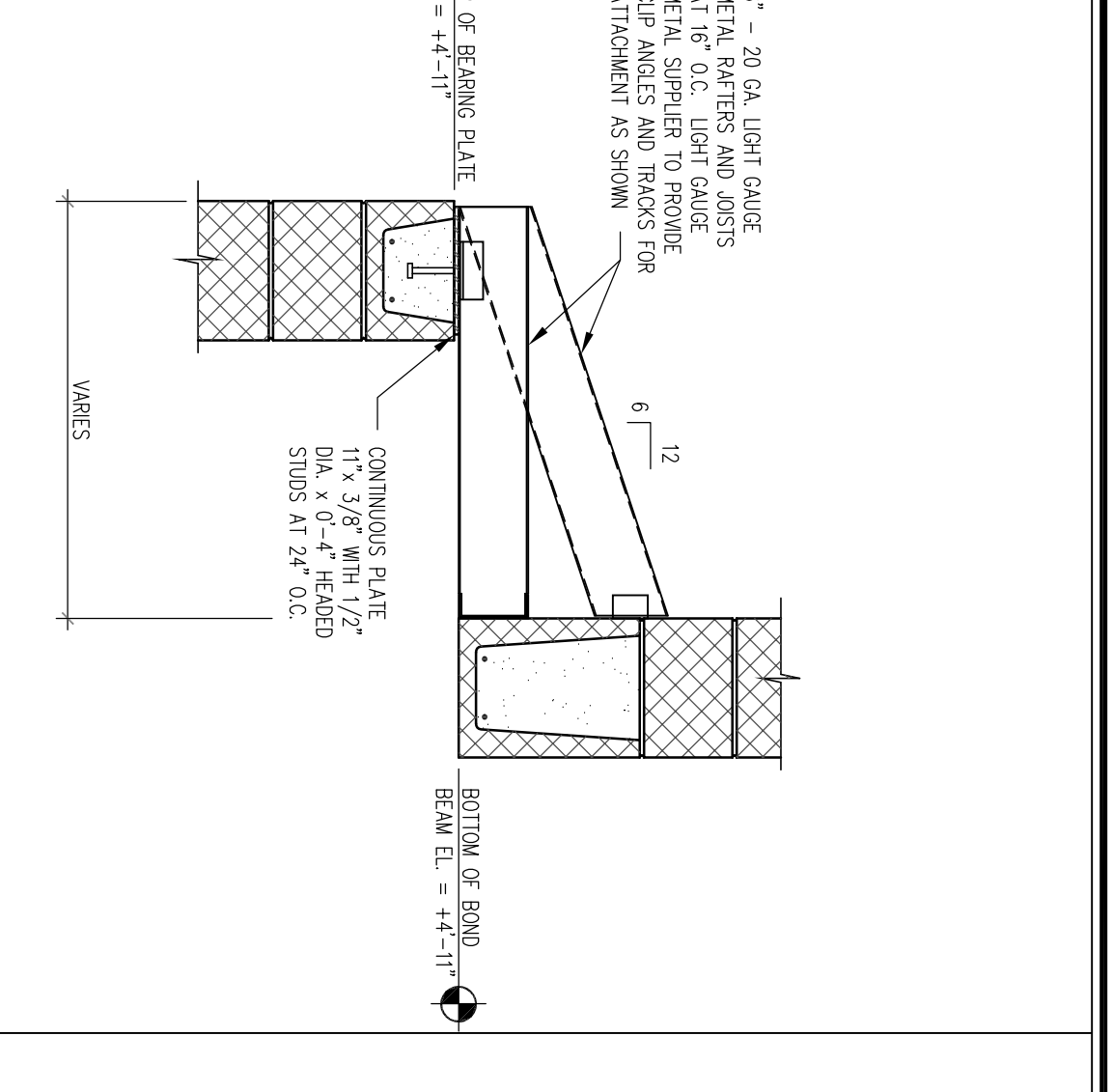


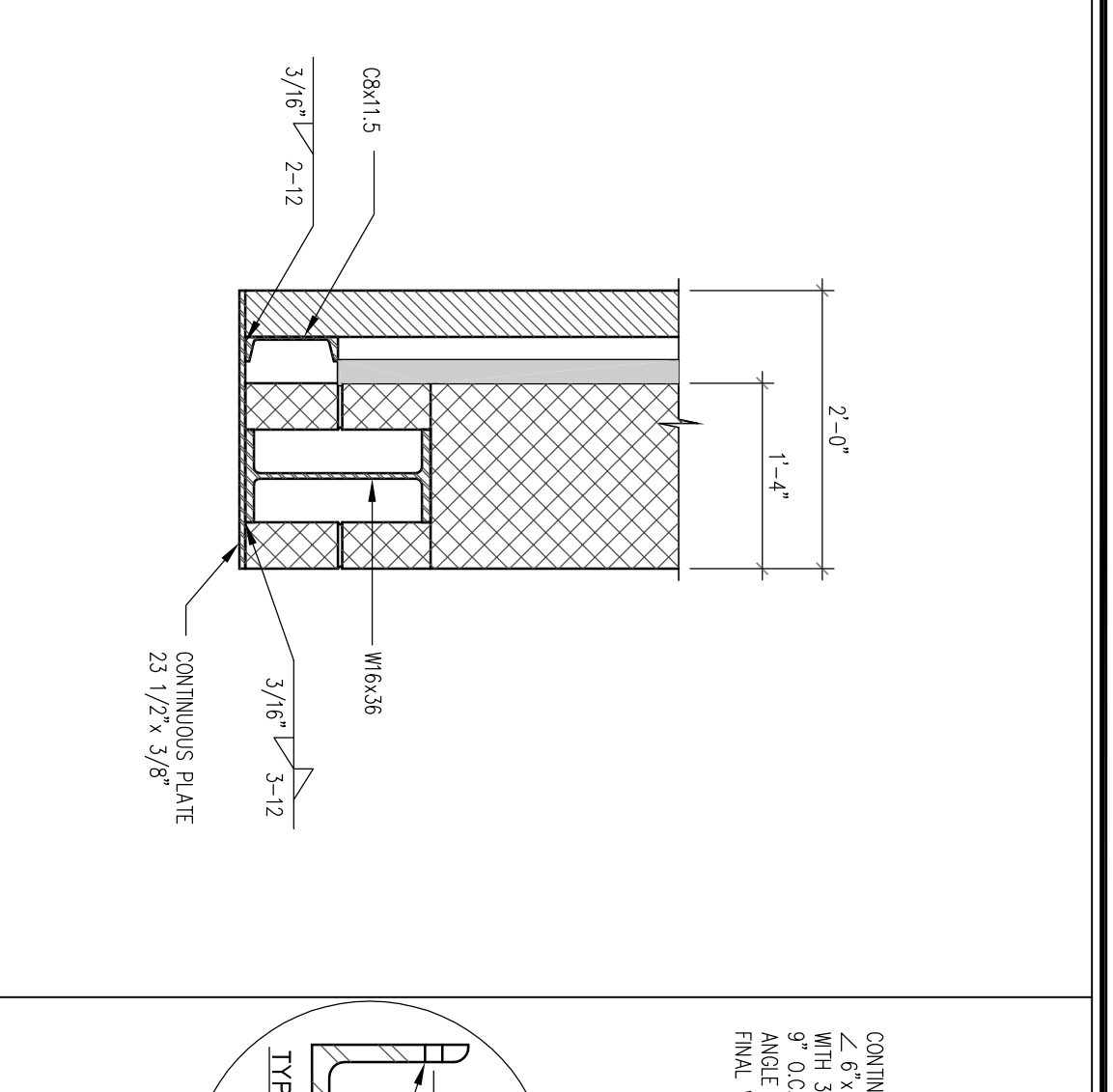
SECTION  
SCALE: 3/4" = 1'-0"



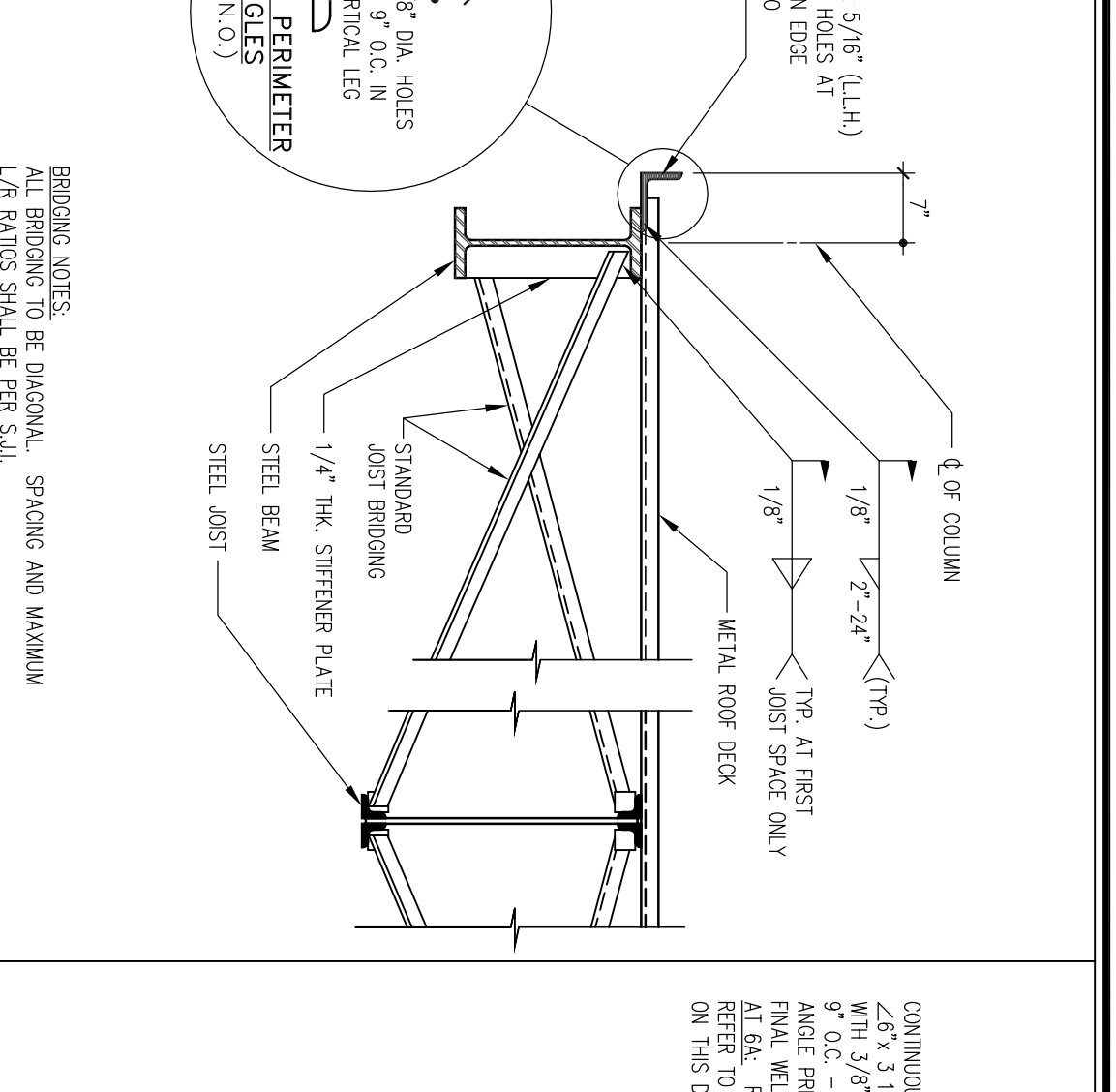
SECTION  
SCALE: 3/4" = 1'-0"



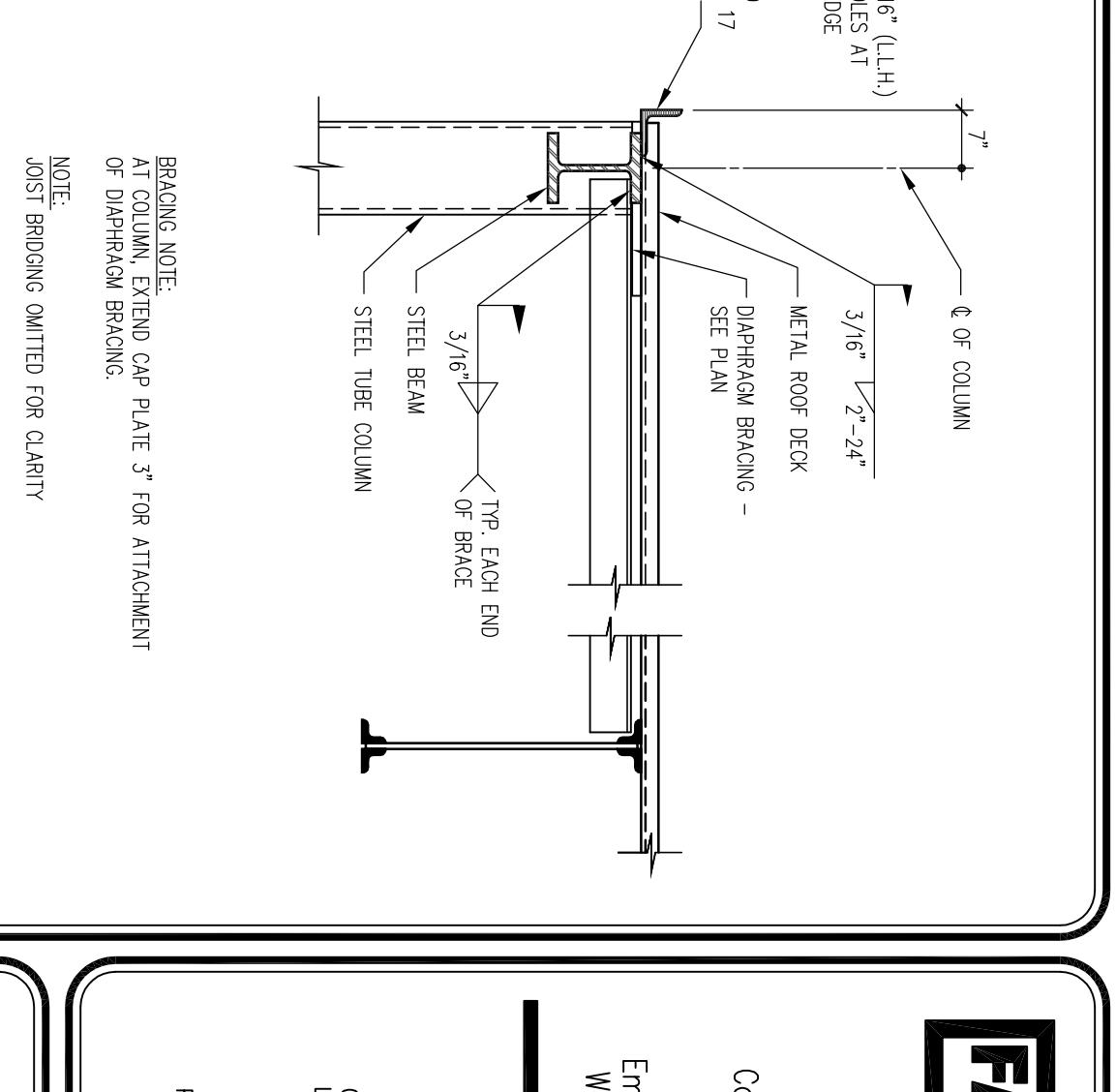
SECTION  
SCALE: 3/4" = 1'-0"



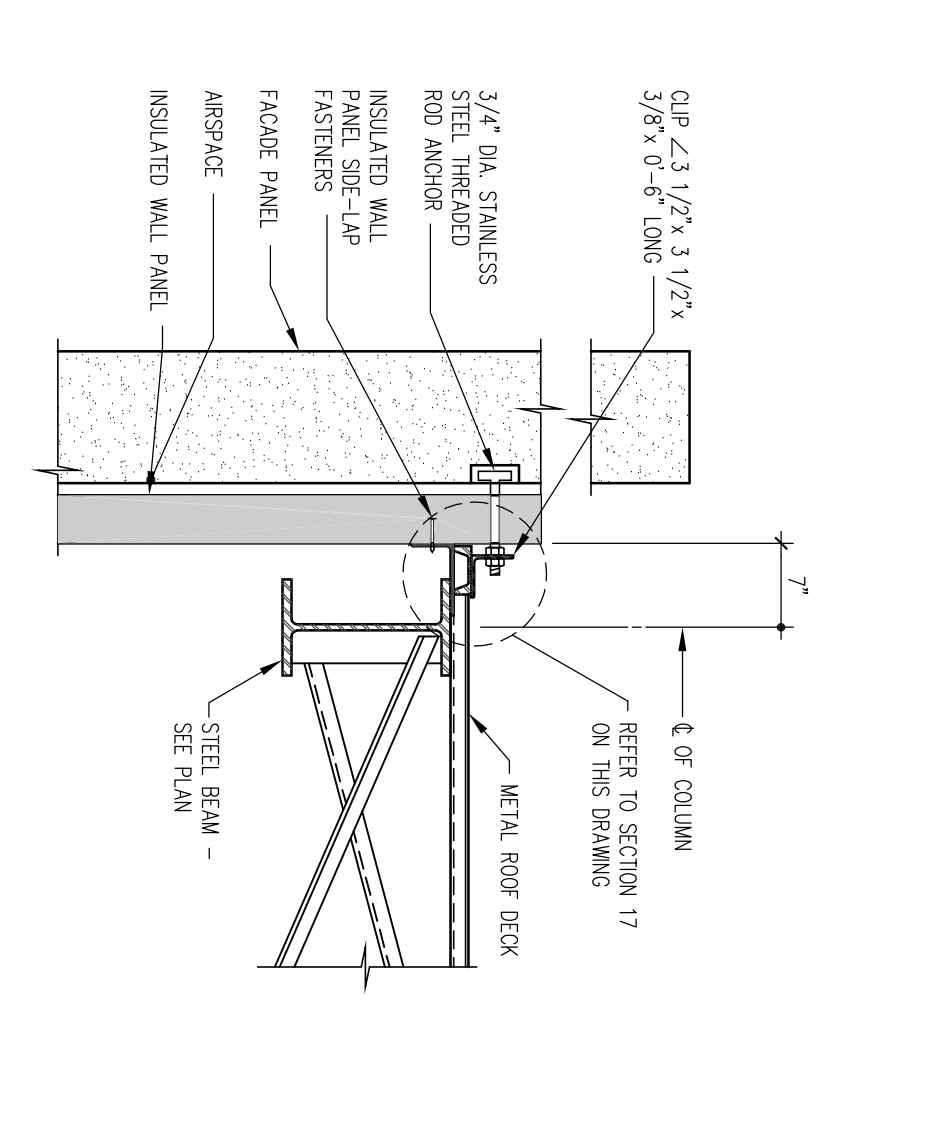
SECTION  
SCALE: 3/4" = 1'-0"



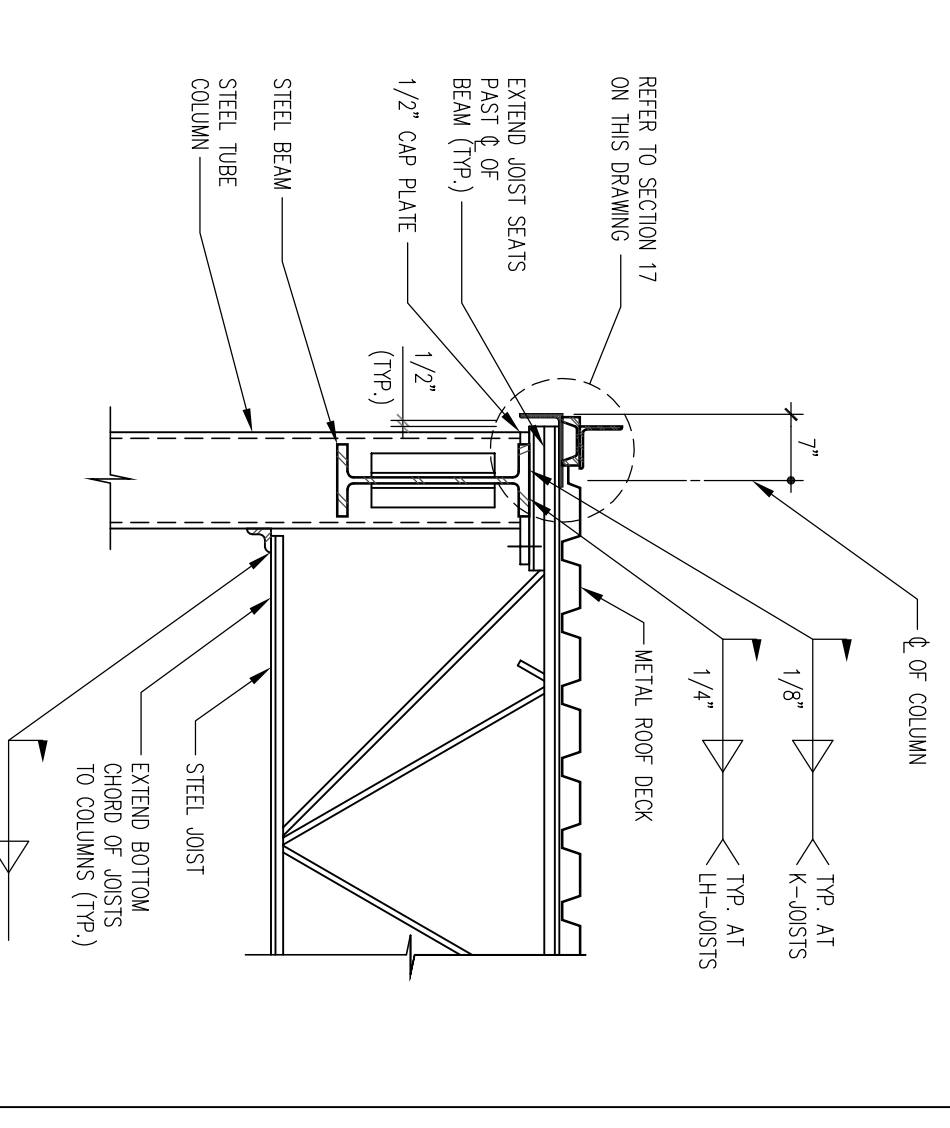
SECTION  
SCALE: 3/4" = 1'-0"



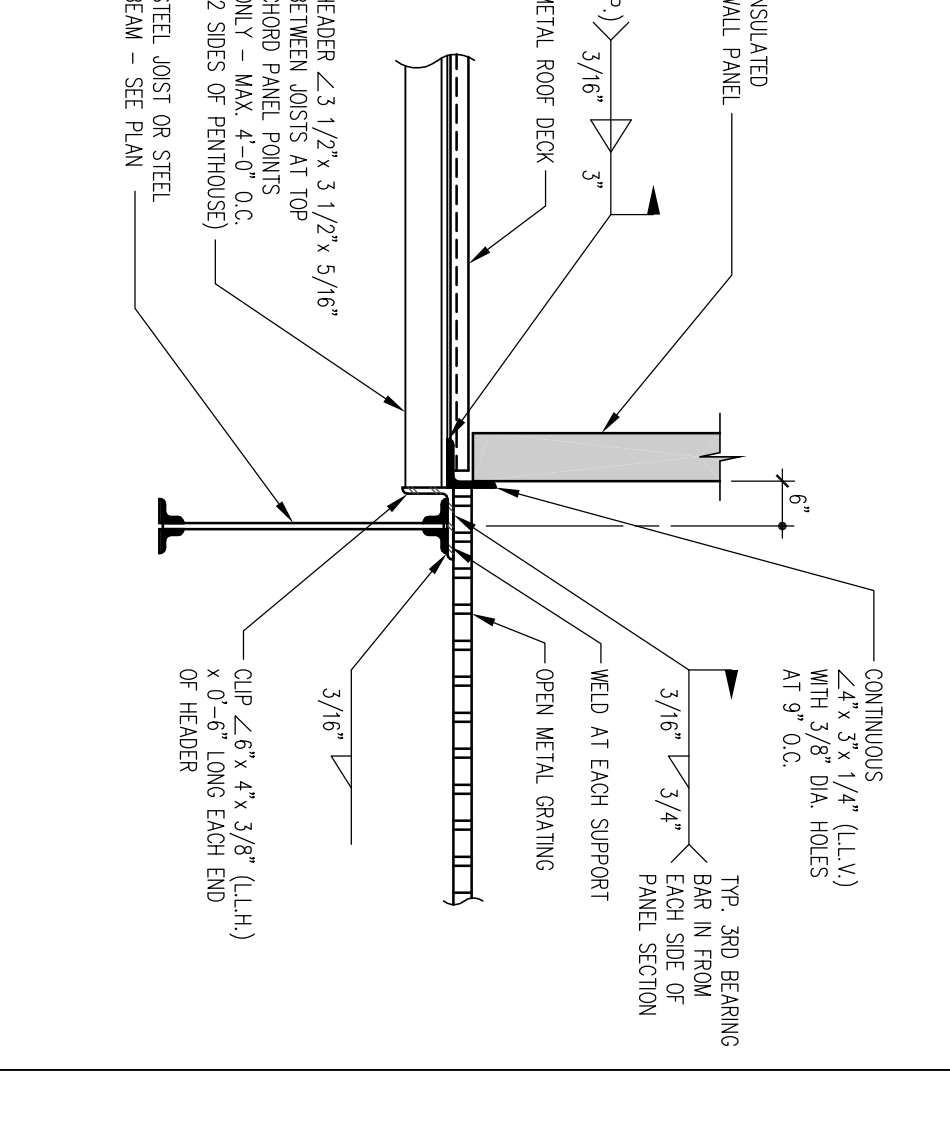
SECTION  
SCALE: 3/4" = 1'-0"



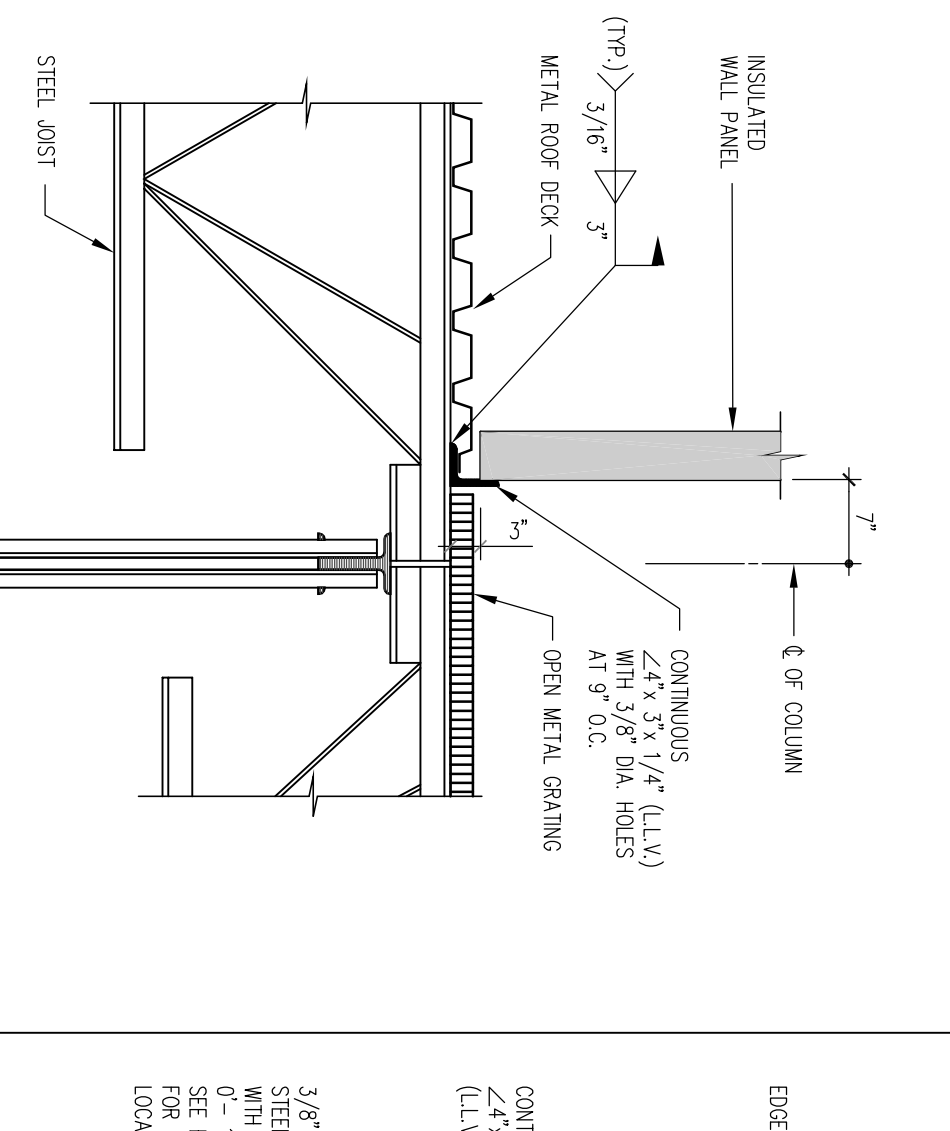
SECTION  
SCALE: 3/4" = 1'-0"



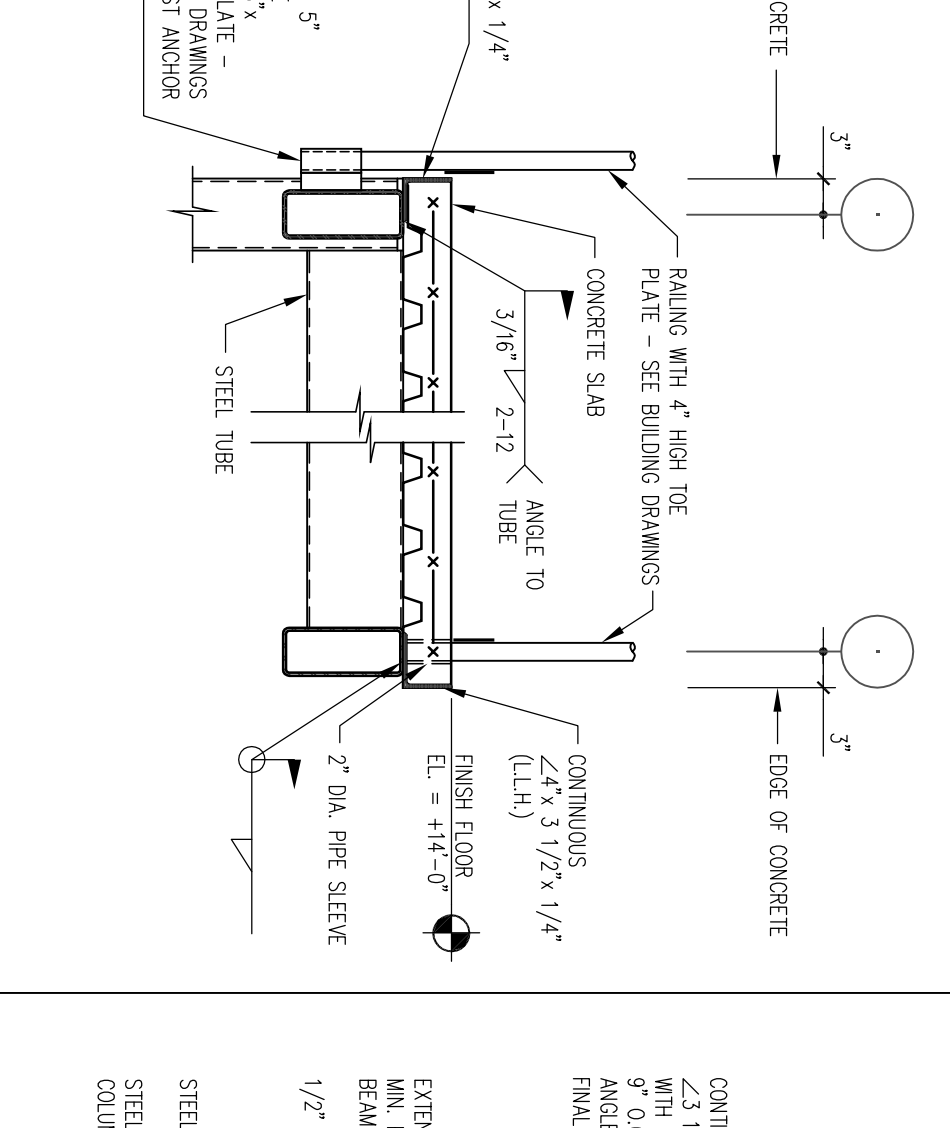
SECTION  
SCALE: 3/4" = 1'-0"



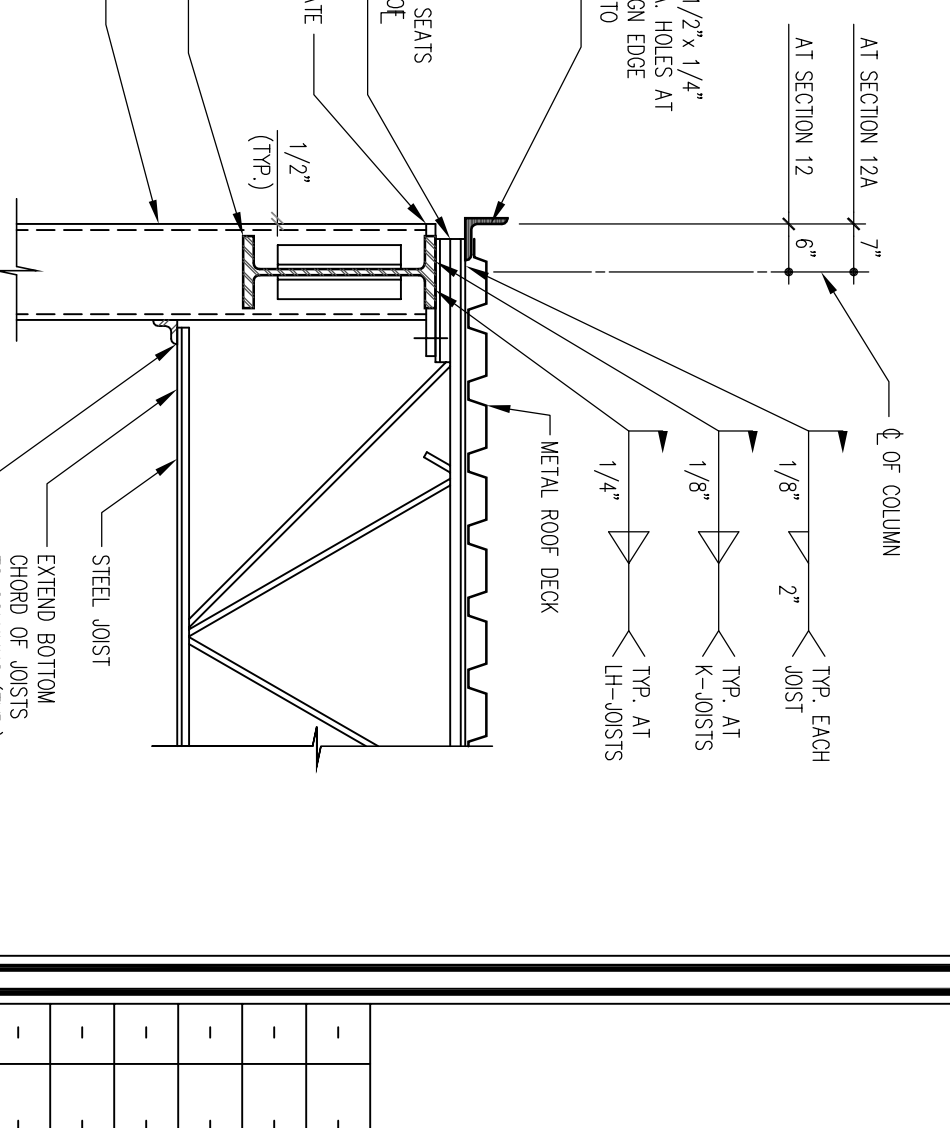
SECTION  
SCALE: 3/4" = 1'-0"



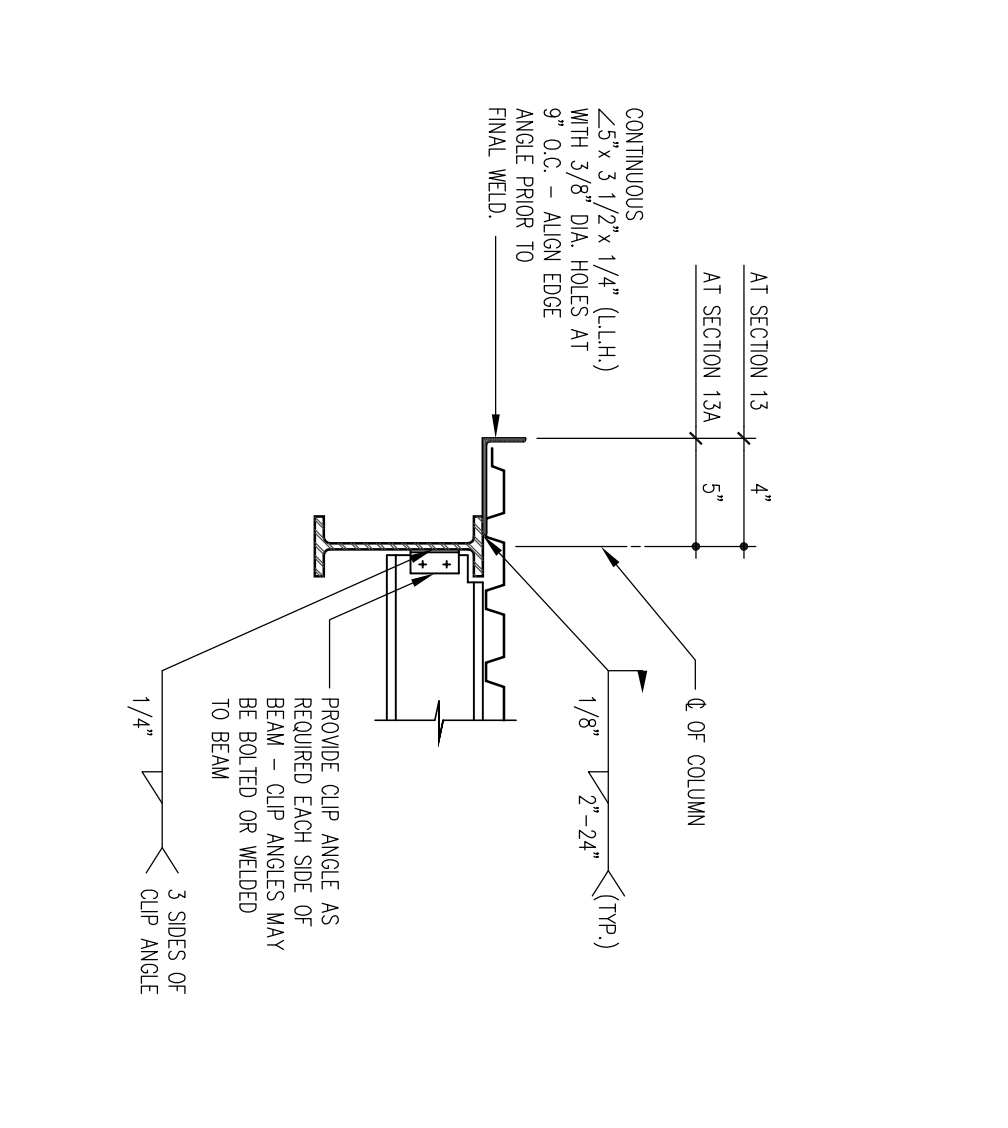
SECTION  
SCALE: 3/4" = 1'-0"



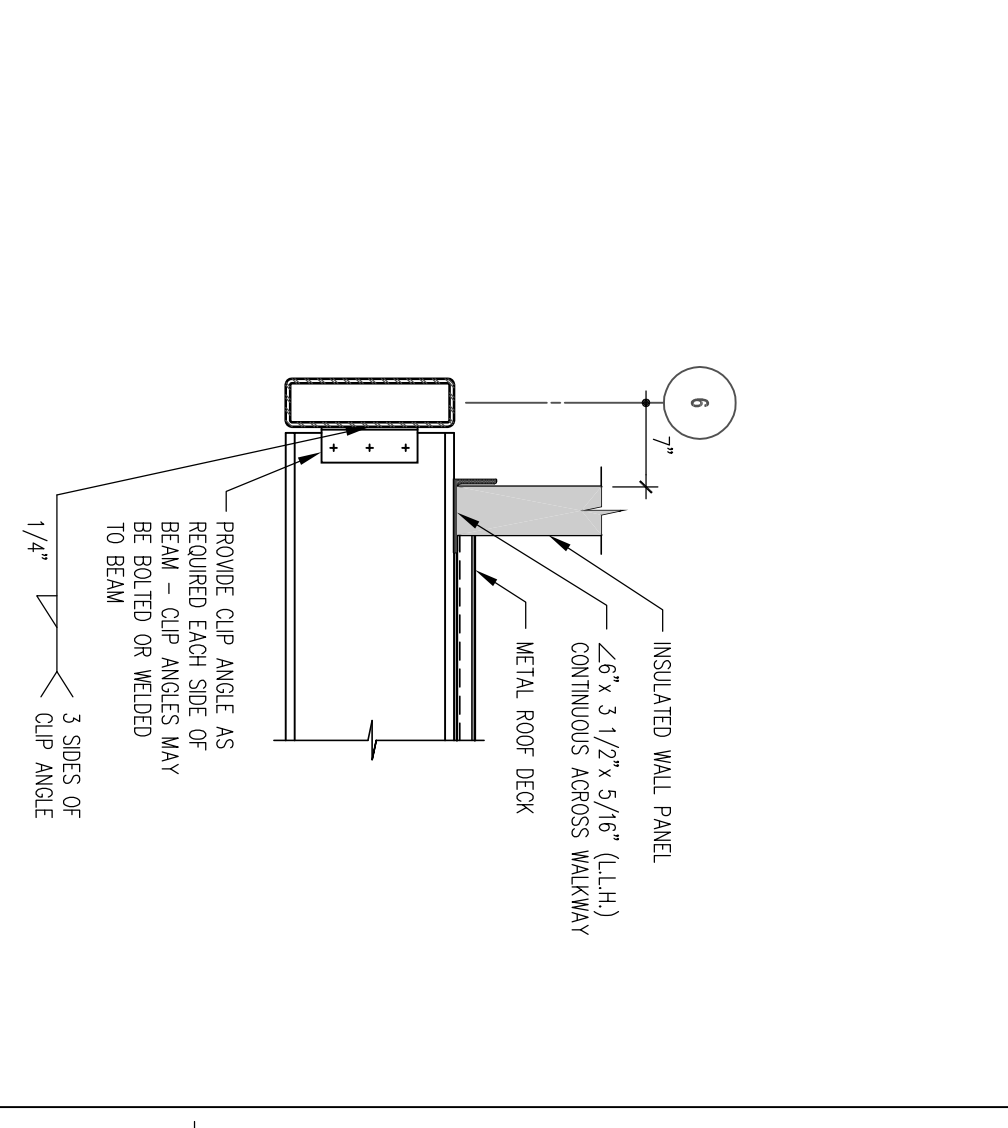
SECTION  
SCALE: 3/4" = 1'-0"



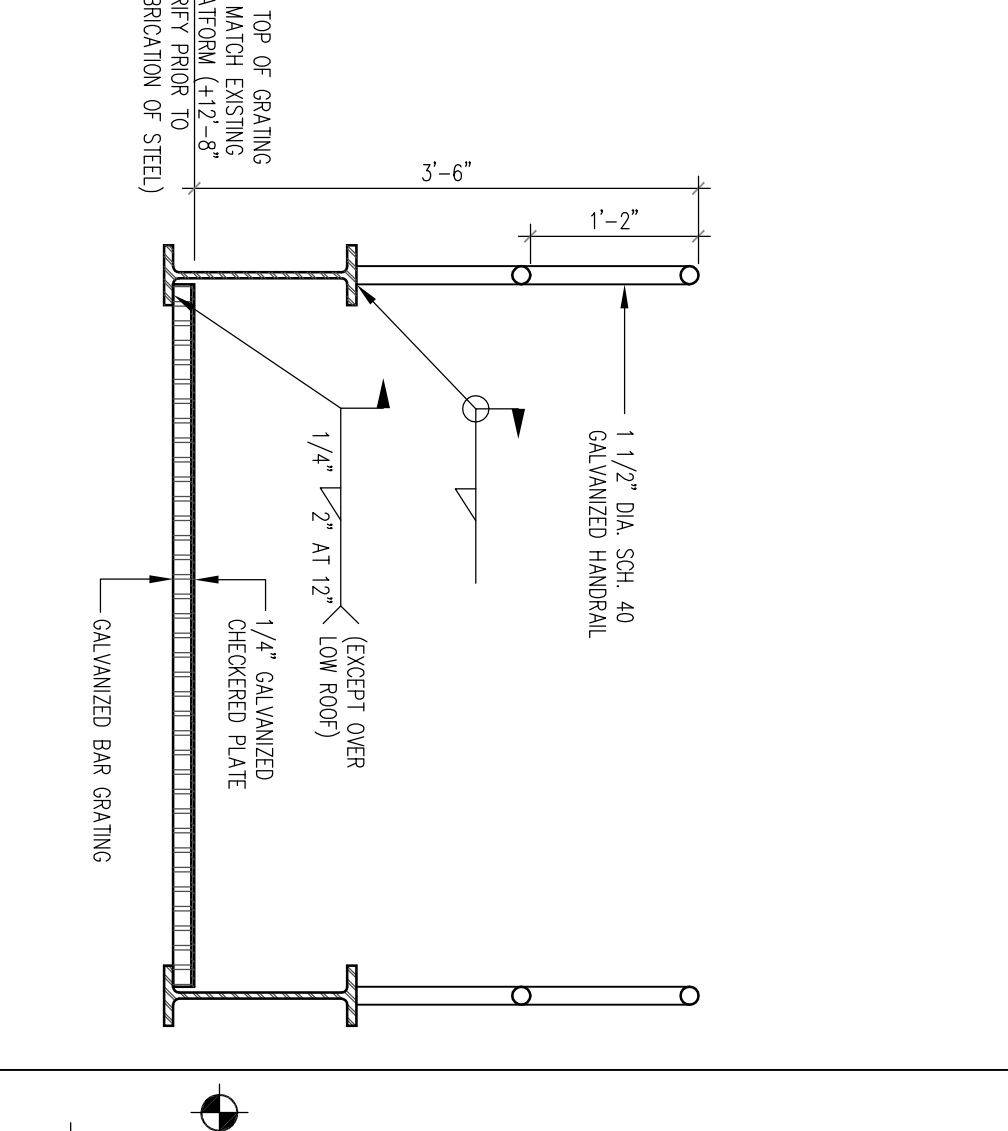
SECTION  
SCALE: 3/4" = 1'-0"



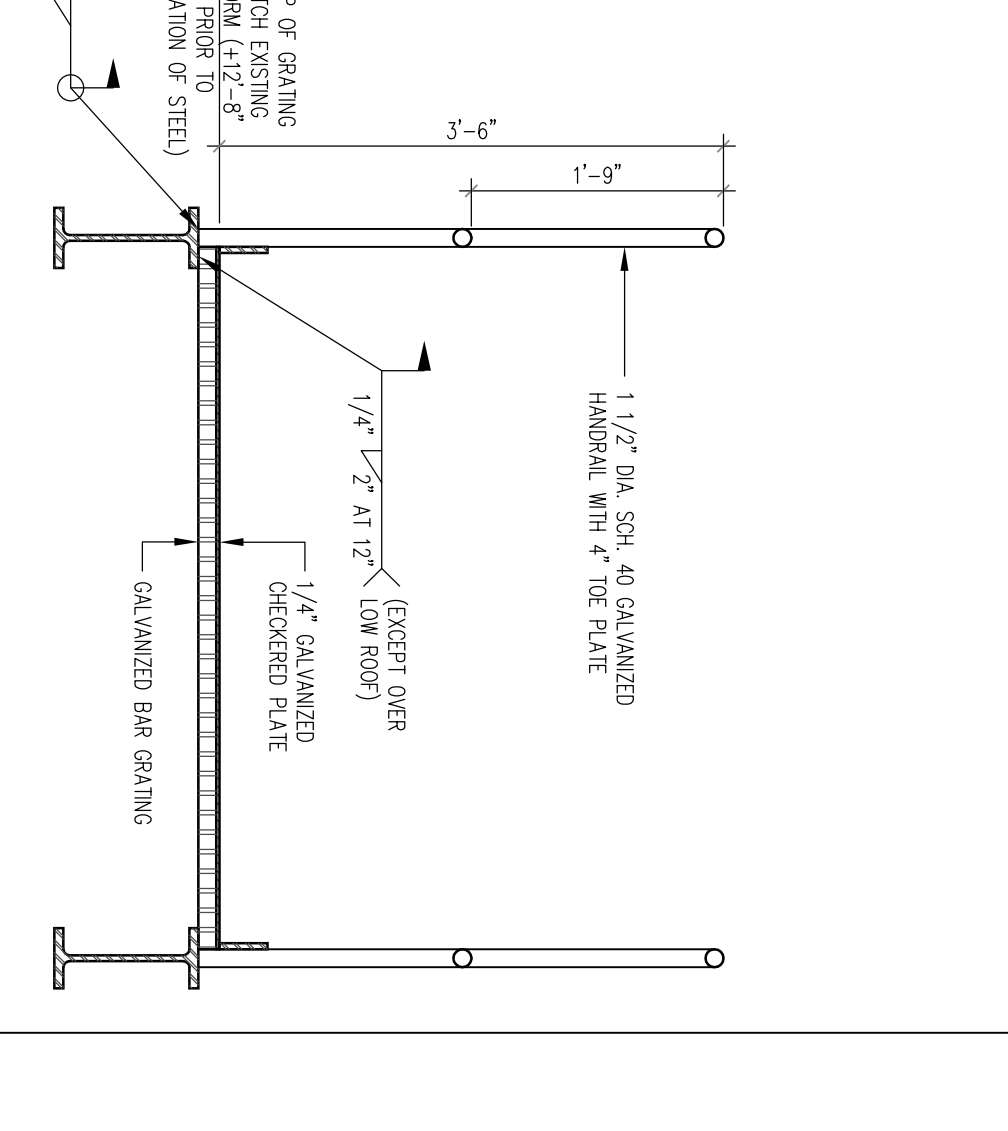
SECTION  
SCALE: 3/4" = 1'-0"



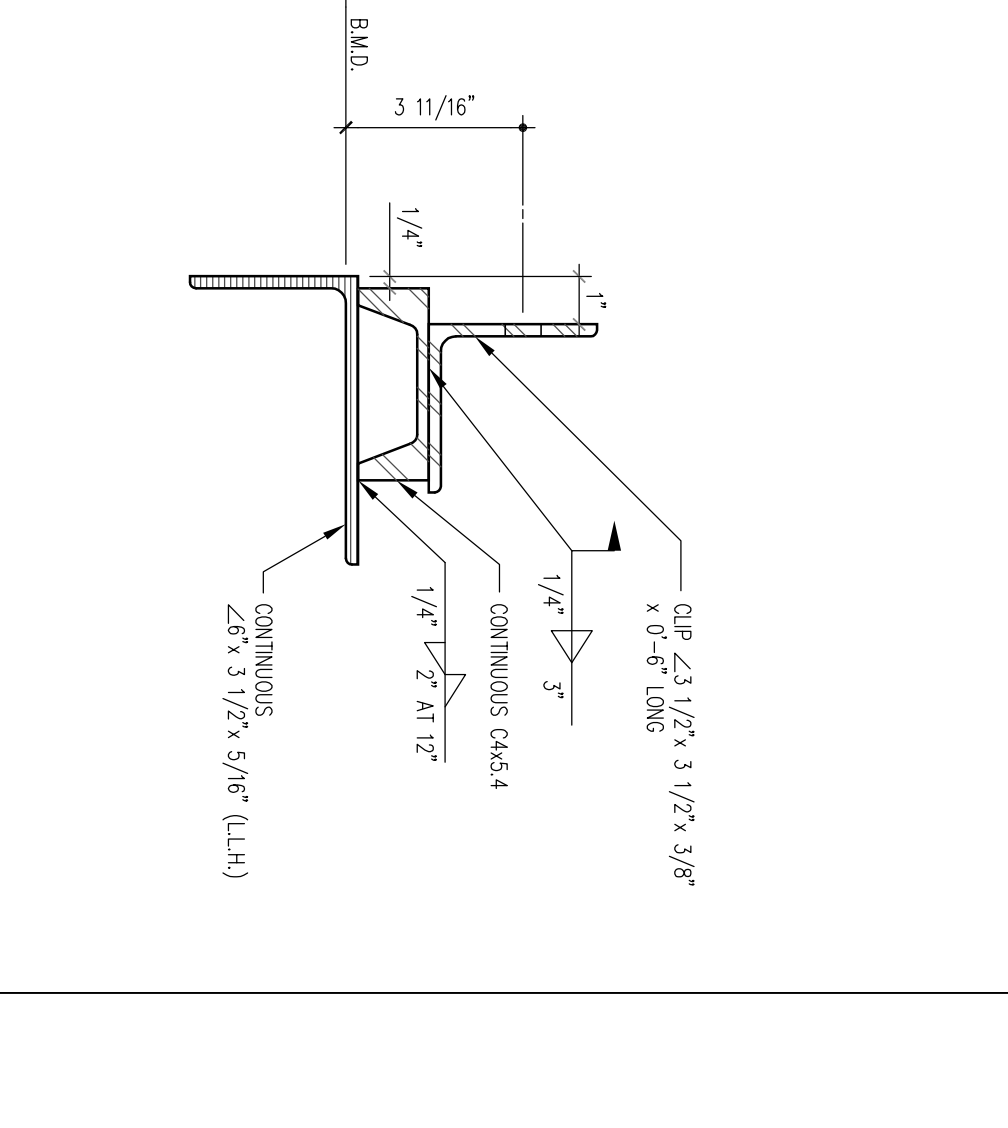
SECTION  
SCALE: 3/4" = 1'-0"



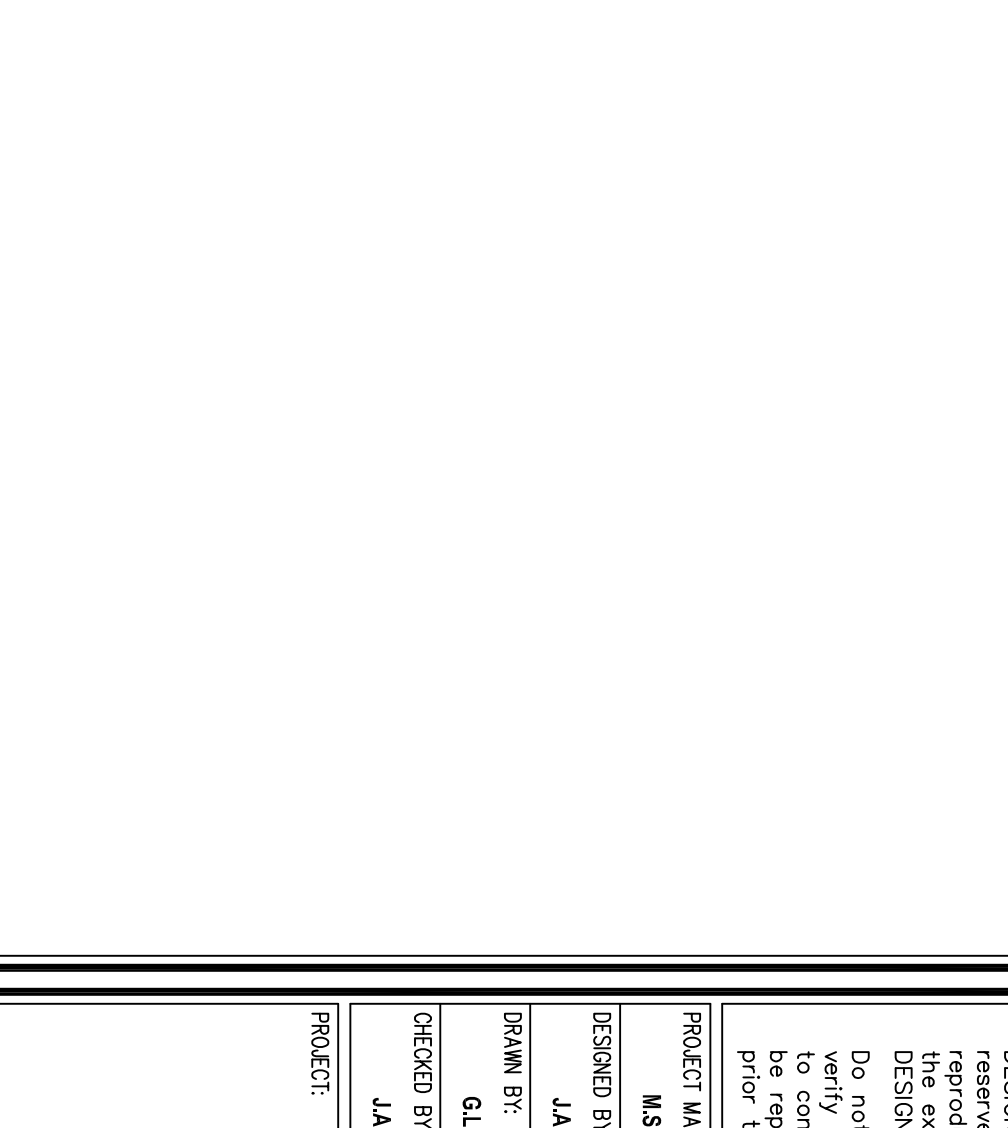
SECTION  
SCALE: 3/4" = 1'-0"



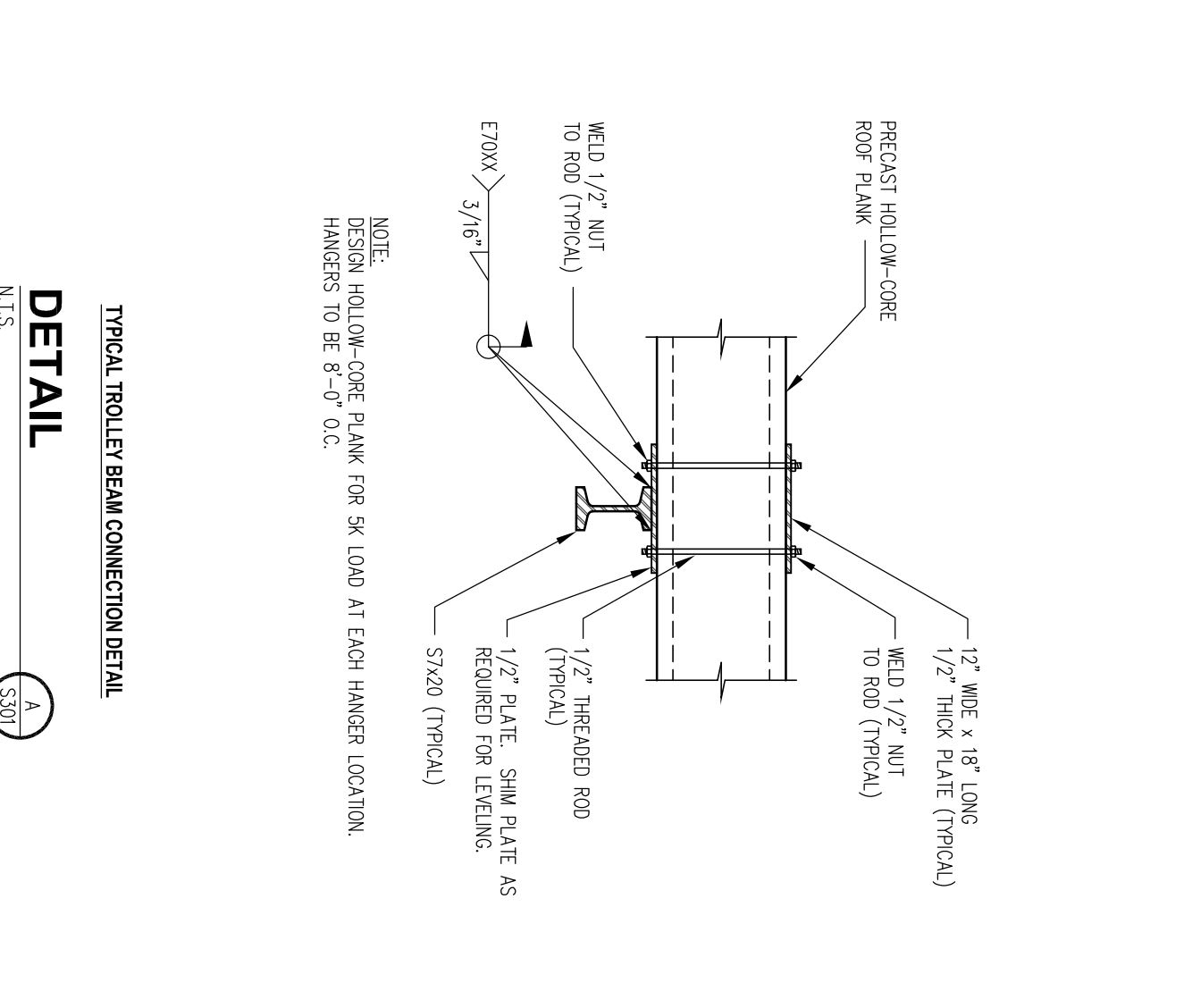
SECTION  
SCALE: 3/4" = 1'-0"



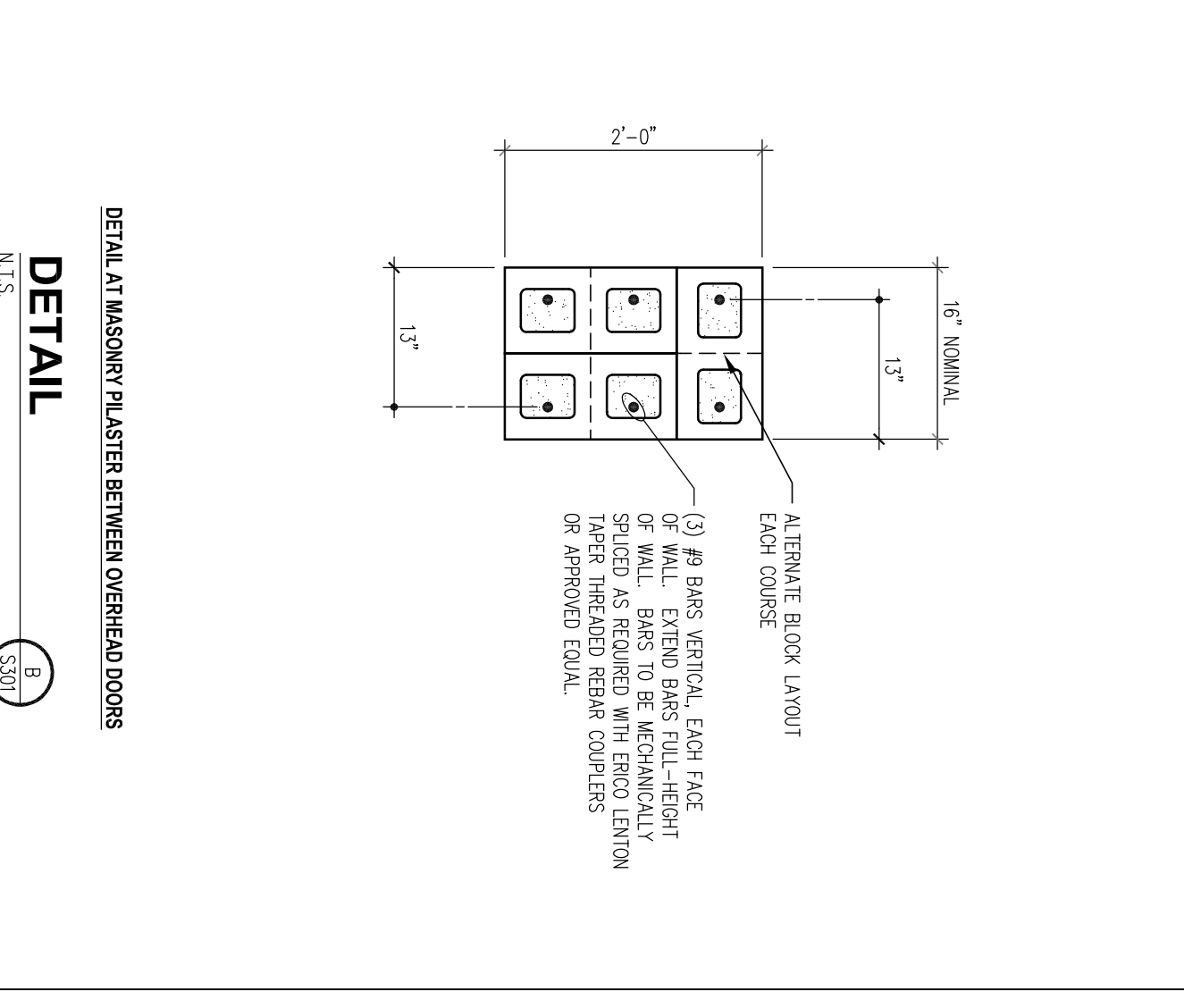
SECTION  
SCALE: 3/4" = 1'-0"



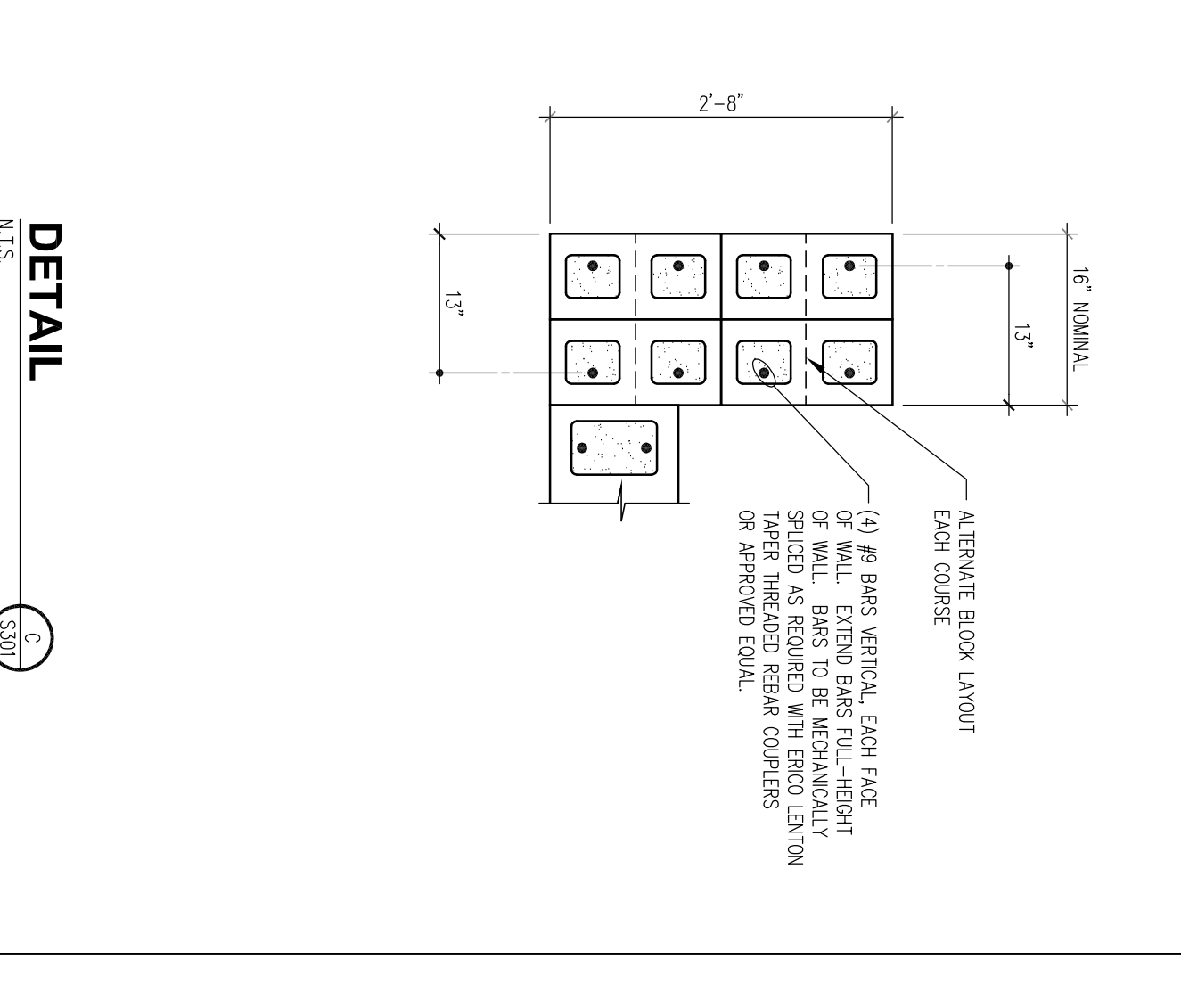
SECTION  
SCALE: 3/4" = 1'-0"



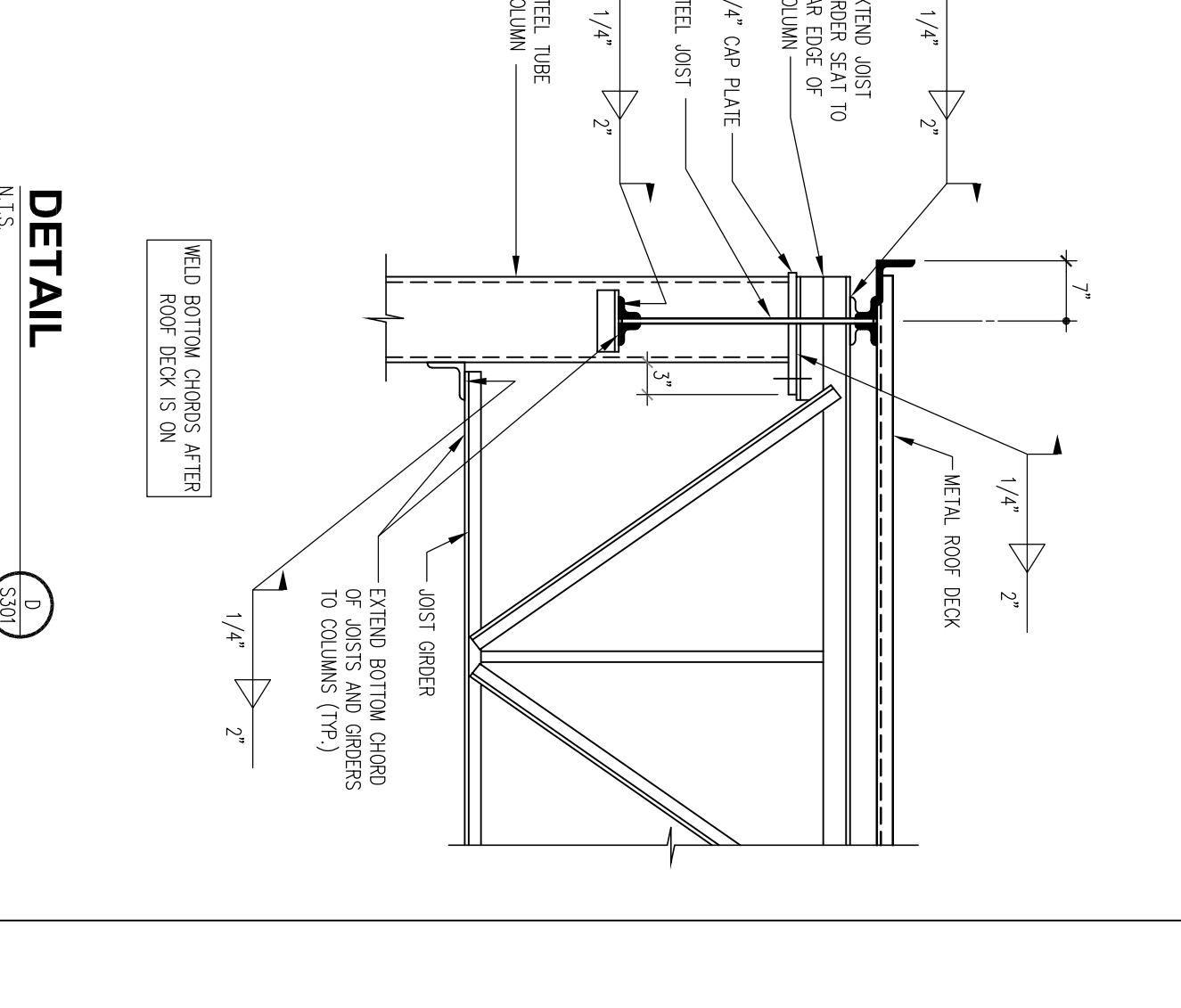
SECTION  
SCALE: 3/4" = 1'-0"



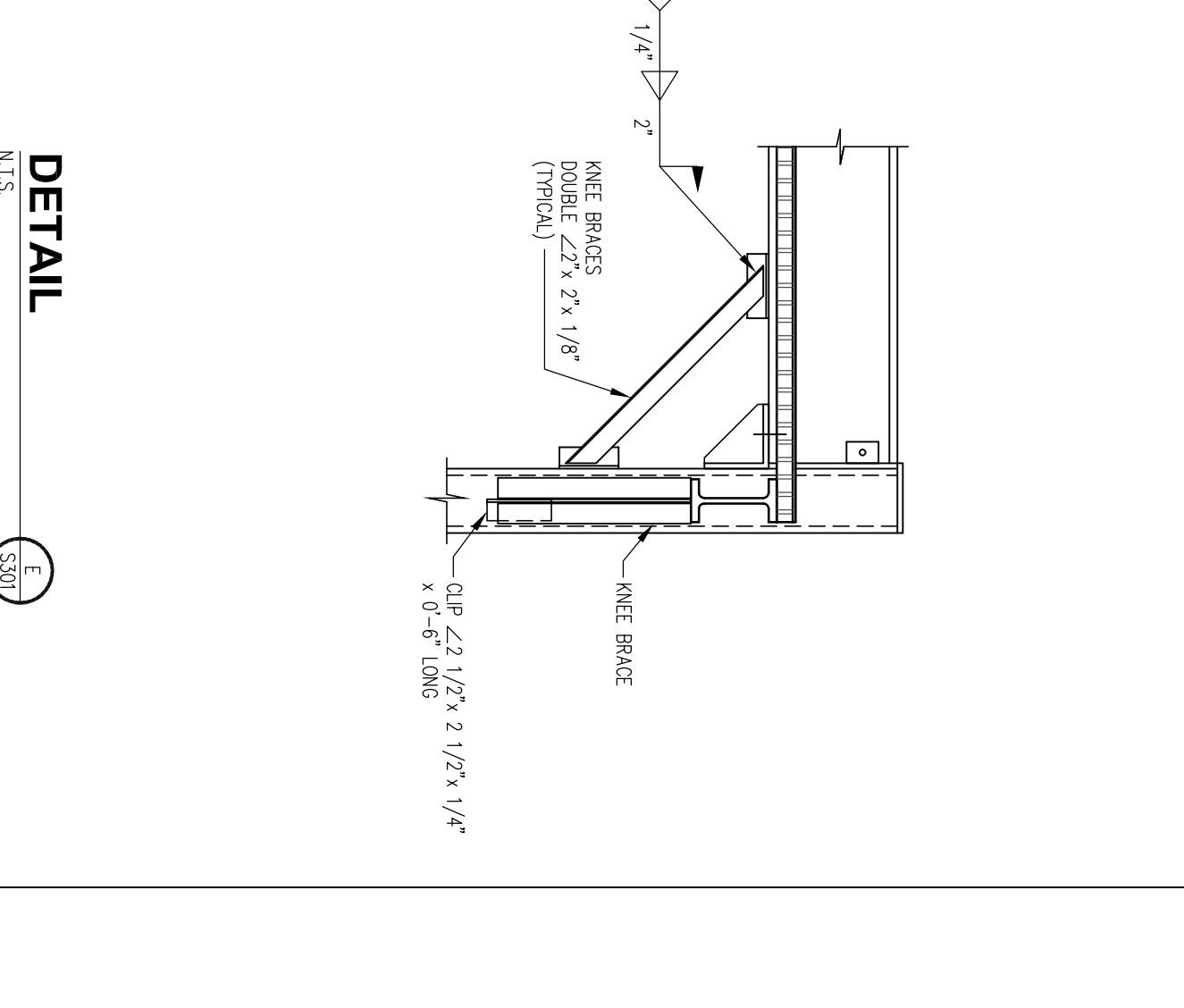
SECTION  
SCALE: 3/4" = 1'-0"



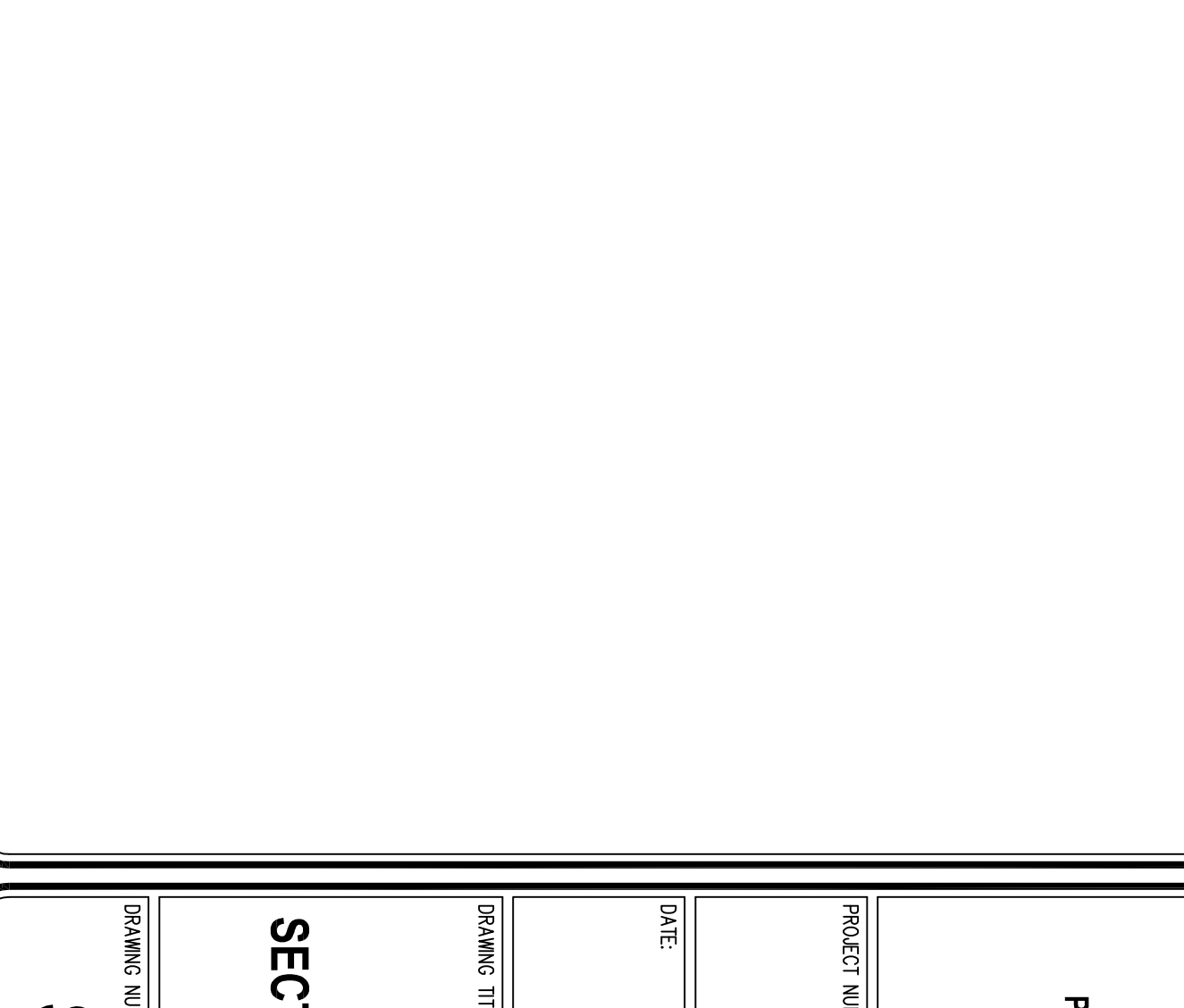
SECTION  
SCALE: 3/4" = 1'-0"



SECTION  
SCALE: 3/4" = 1'-0"



SECTION  
SCALE: 3/4" = 1'-0"



SECTION  
SCALE: 3/4" = 1'-0"

**FACILITIES DESIGN**

3904 Ashd Drive  
Columbia, Pennsylvania 17512  
Phone: (717) 285-9442  
Fax: (717) 285-3102  
Email: info@facilitiesdesign.com  
Web: www.facilitiesdesign.com  
CA Number: 200318

**Engineering Design Services**

Architectural Engineering  
Building Design  
Process Design  
Preliminary Design  
Construction Management  
Construction Administration  
Construction Safety Services  
Master Planning Services

Project: Facilities Design  
Master Planning Services

NO.	REVISIONS
0	3-1-04 ISSUED FOR BIDDING

PROJECT MANAGER: JAS.  
DESIGNER: JAS.  
CHECKED BY: G.L.B.  
PROJECT: NEW MILK COOLER

DATE: MARCH 1, 2004  
DRAWING NUMBER: S301

**Oakhurst DAIRY**

384 FOREST AVENUE  
PORTLAND, MAINE 04101

PROJECT NUMBER: 0167.00

DATE: MARCH 1, 2004

DRAWING NUMBER: S301

REVISIONS: 0

STRUCTURAL SECTIONS AND DETAILS