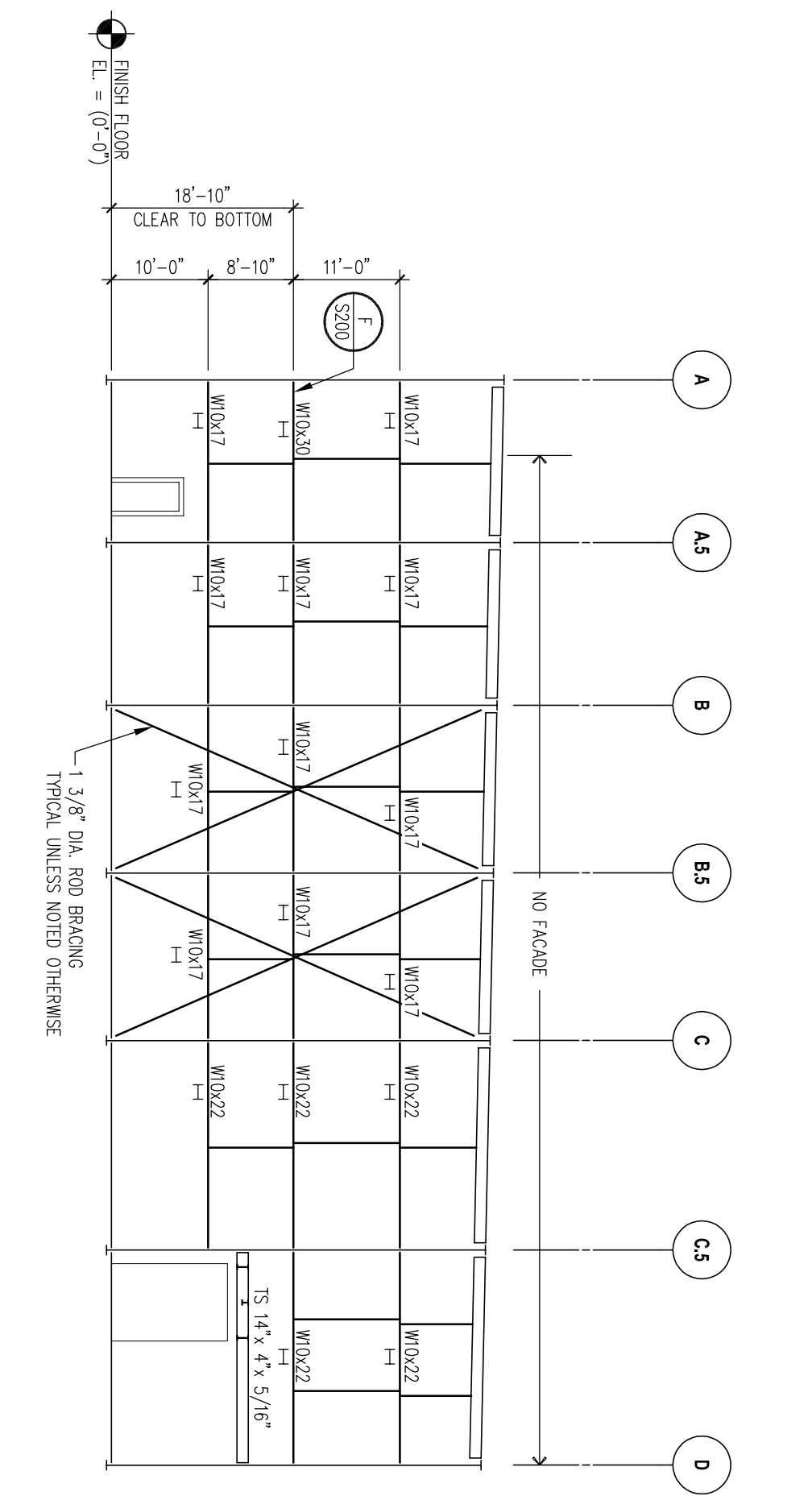
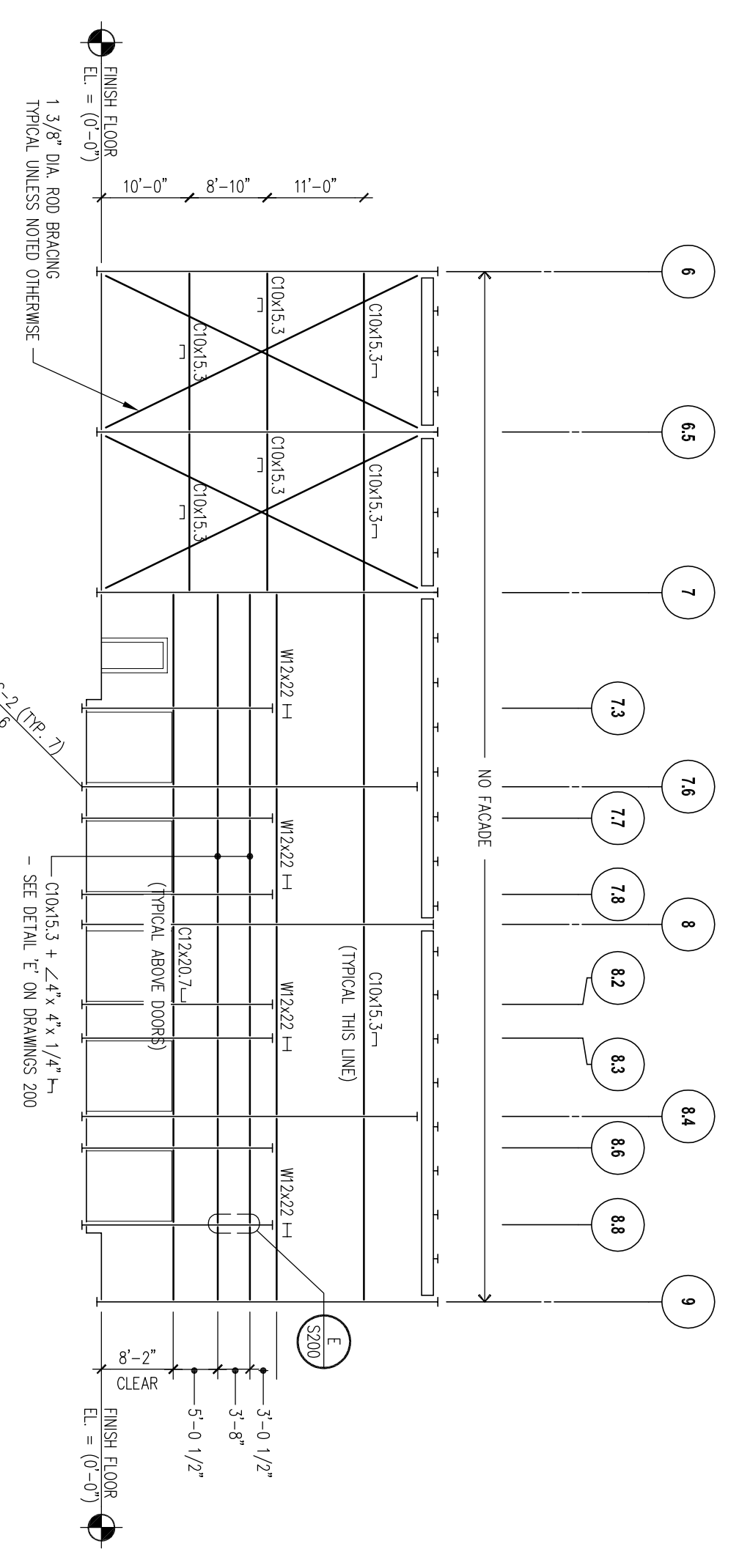


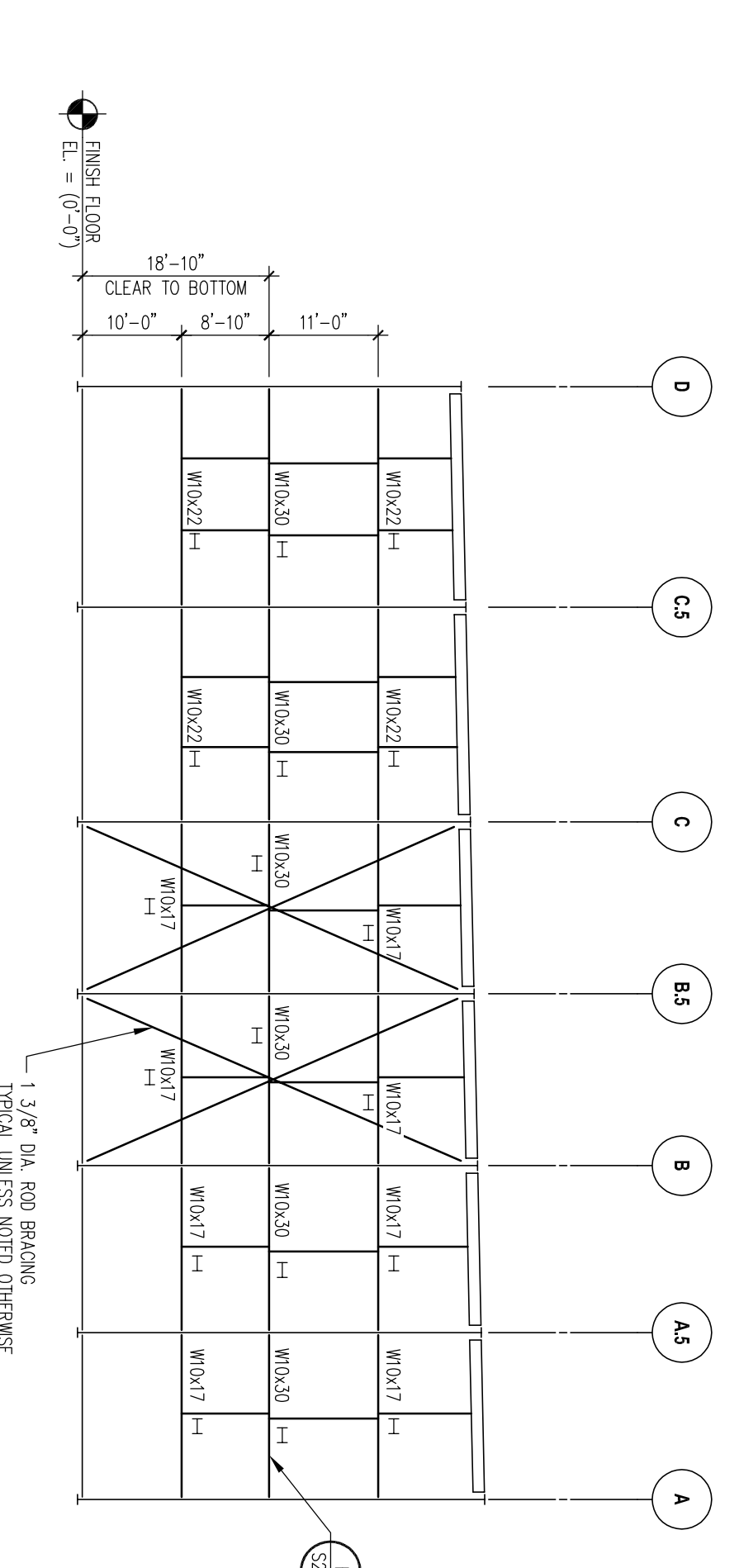
ELEVATION ALONG LINE A  
SCALE: 1/8" = 1'-0"



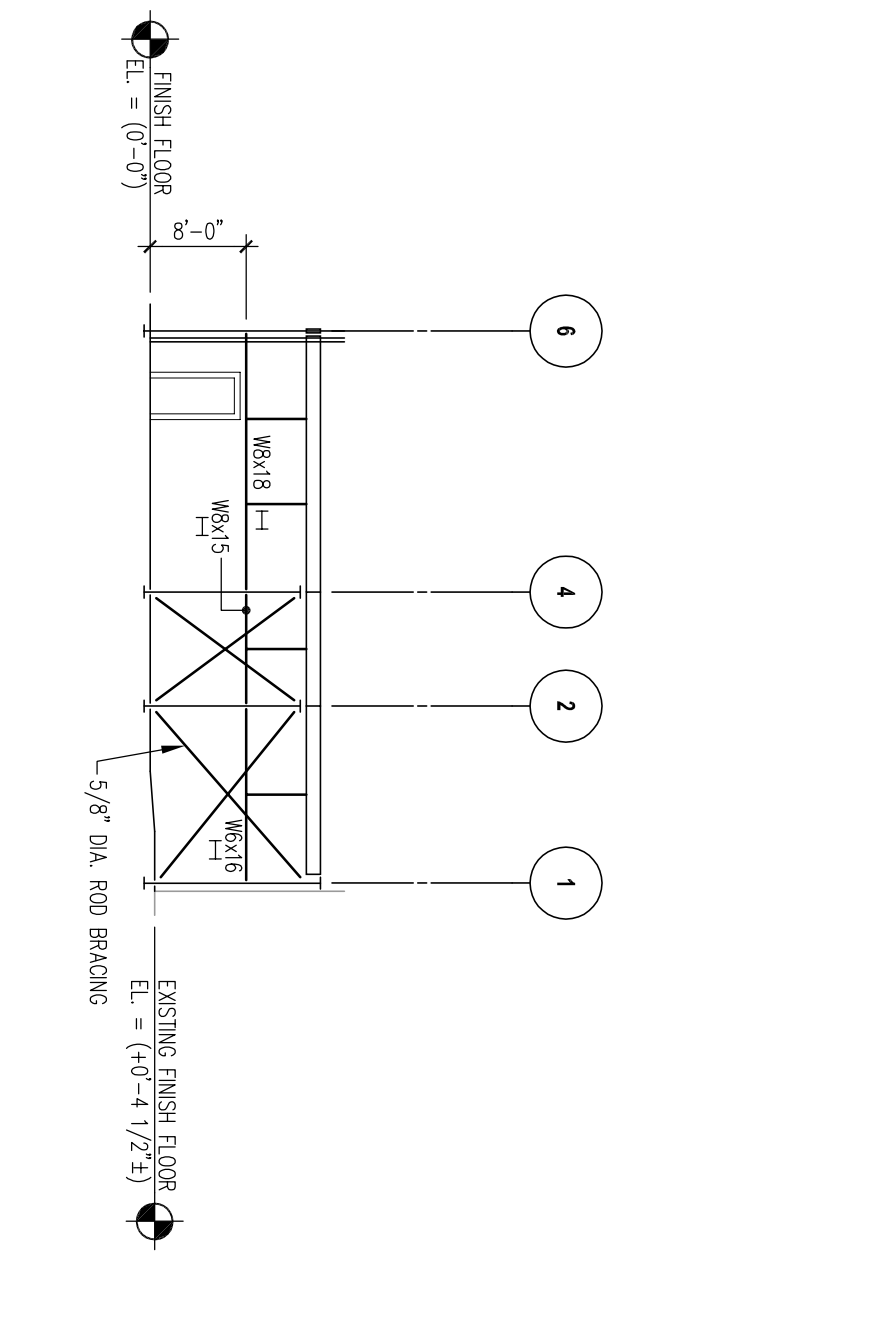
ELEVATION ALONG LINE B  
SCALE: 1/8" = 1'-0"



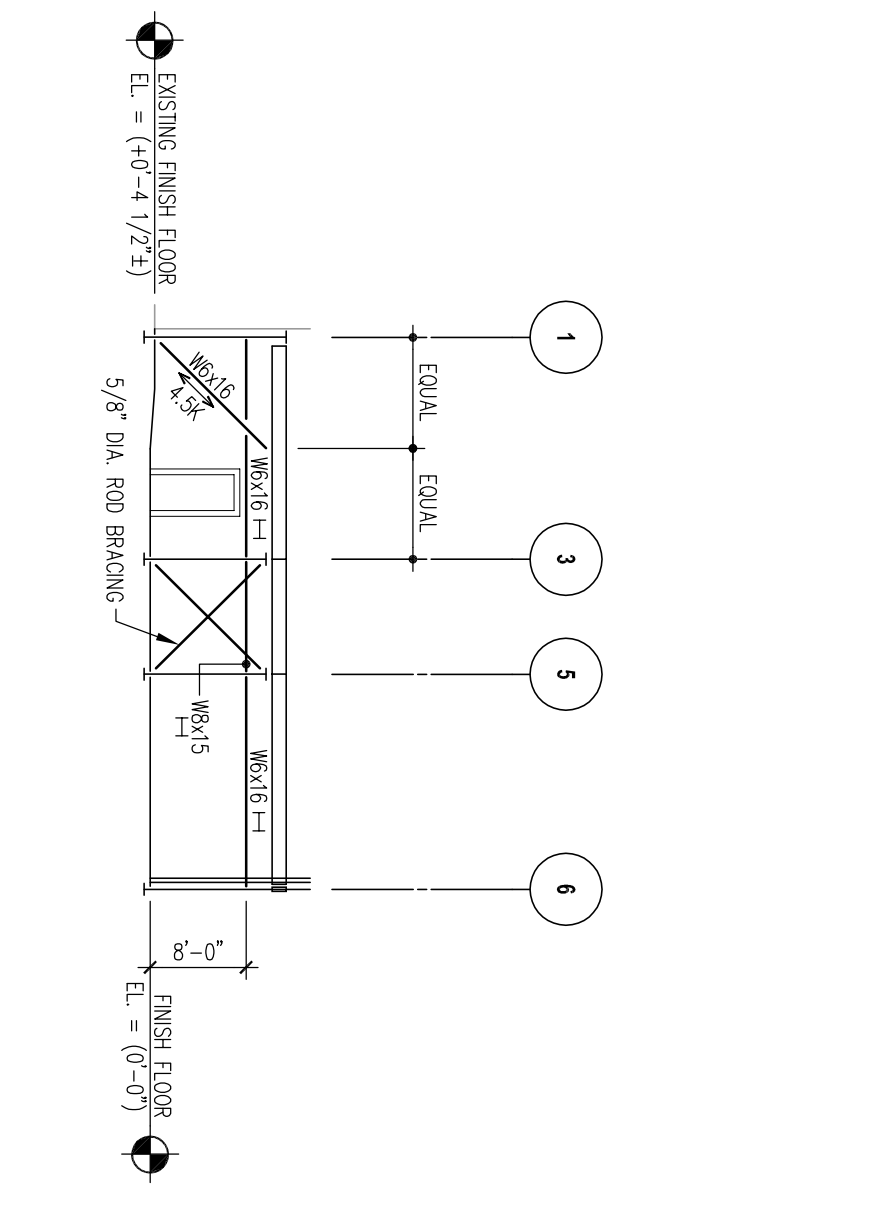
ELEVATION ALONG LINE C  
SCALE: 1/8" = 1'-0"



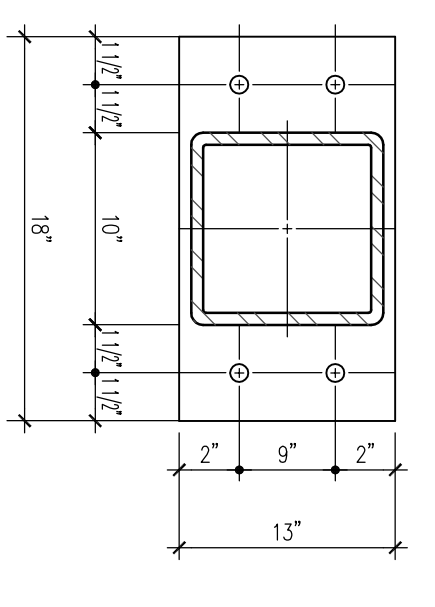
ELEVATION ALONG LINE 9  
SCALE: 1/8" = 1'-0"



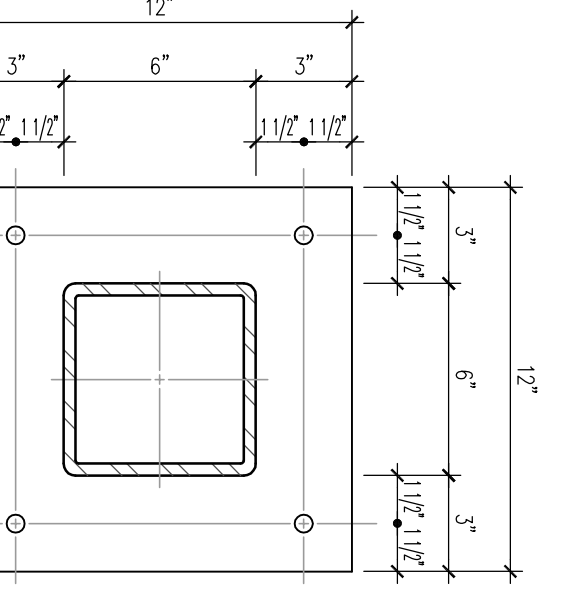
ELEVATION ALONG LINE C.6 AND C.9  
SCALE: 1/8" = 1'-0"



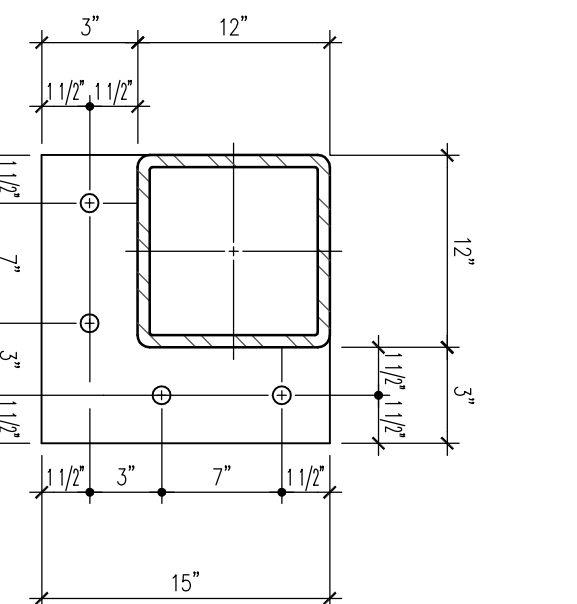
ELEVATION ALONG LINE D.1 AND C.8  
SCALE: 1/8" = 1'-0"



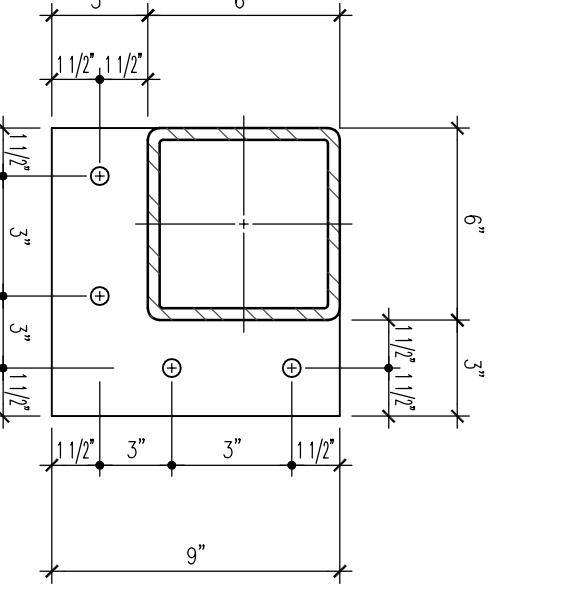
BASE PLATE BP-1 AND BP-2  
SEE DETAIL 5000



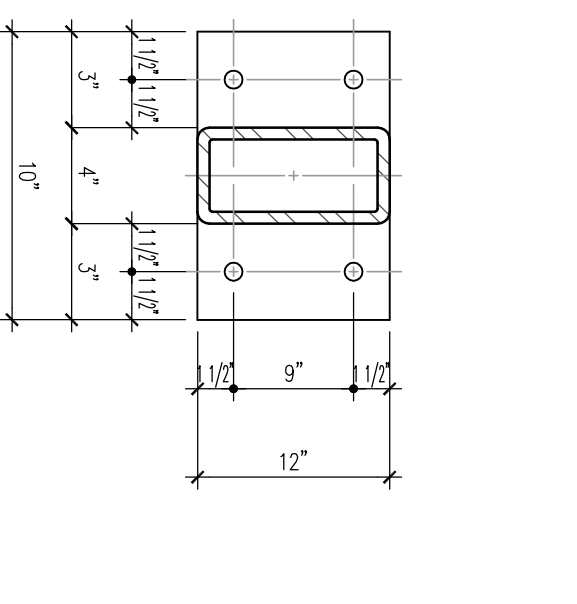
BASE PLATE BP-3  
SEE DETAIL 5000



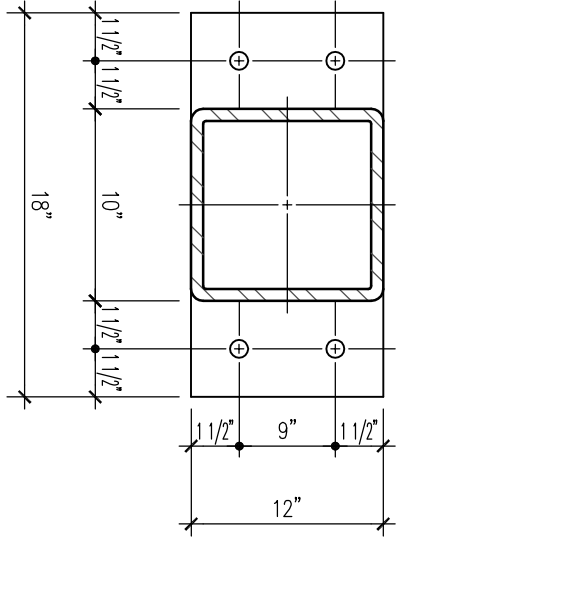
BASE PLATE BP-4  
SEE DETAIL 5000



BASE PLATE BP-5  
SEE DETAIL 5000

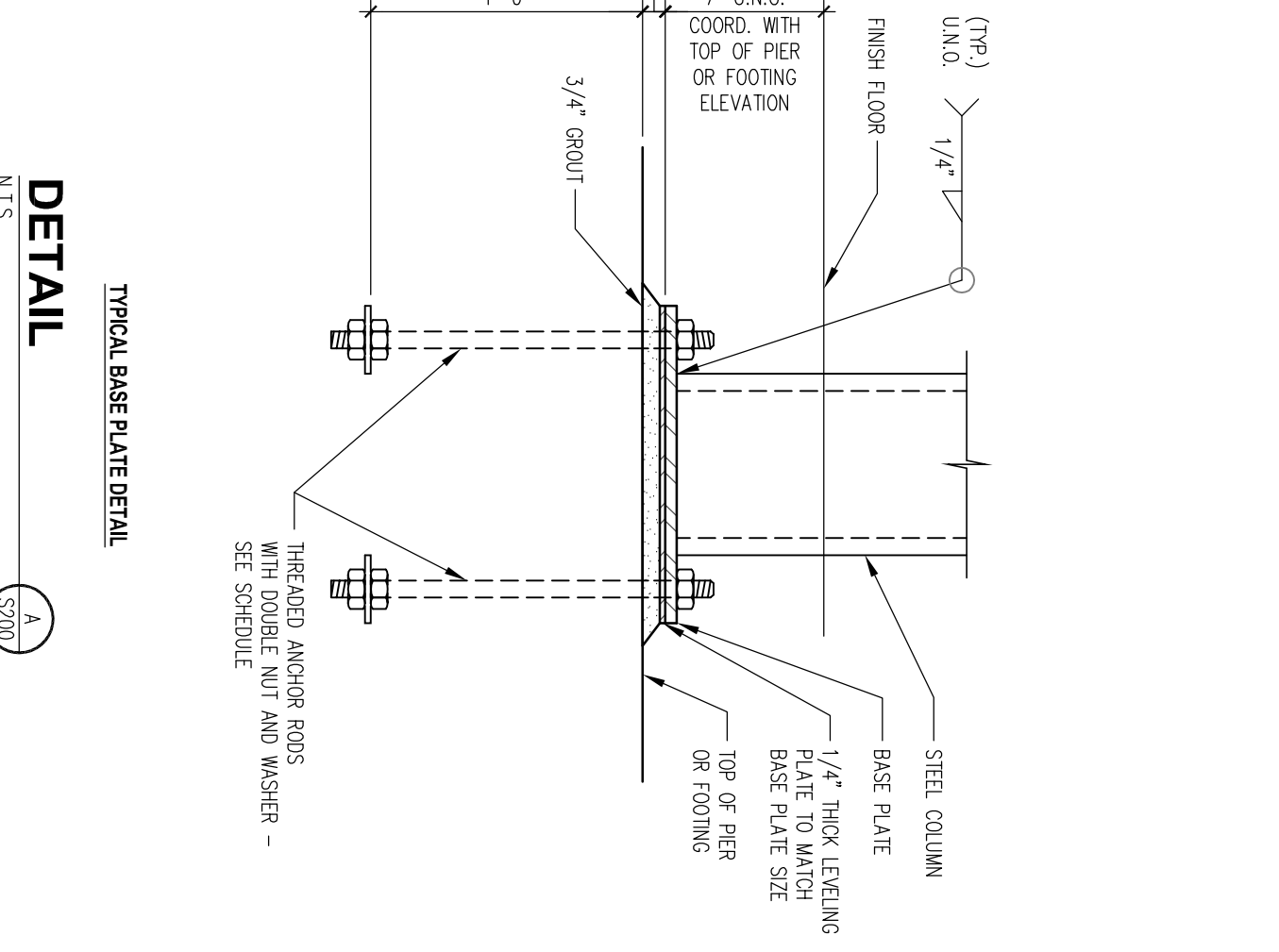


BASE PLATE BP-6  
SEE DETAIL 5000

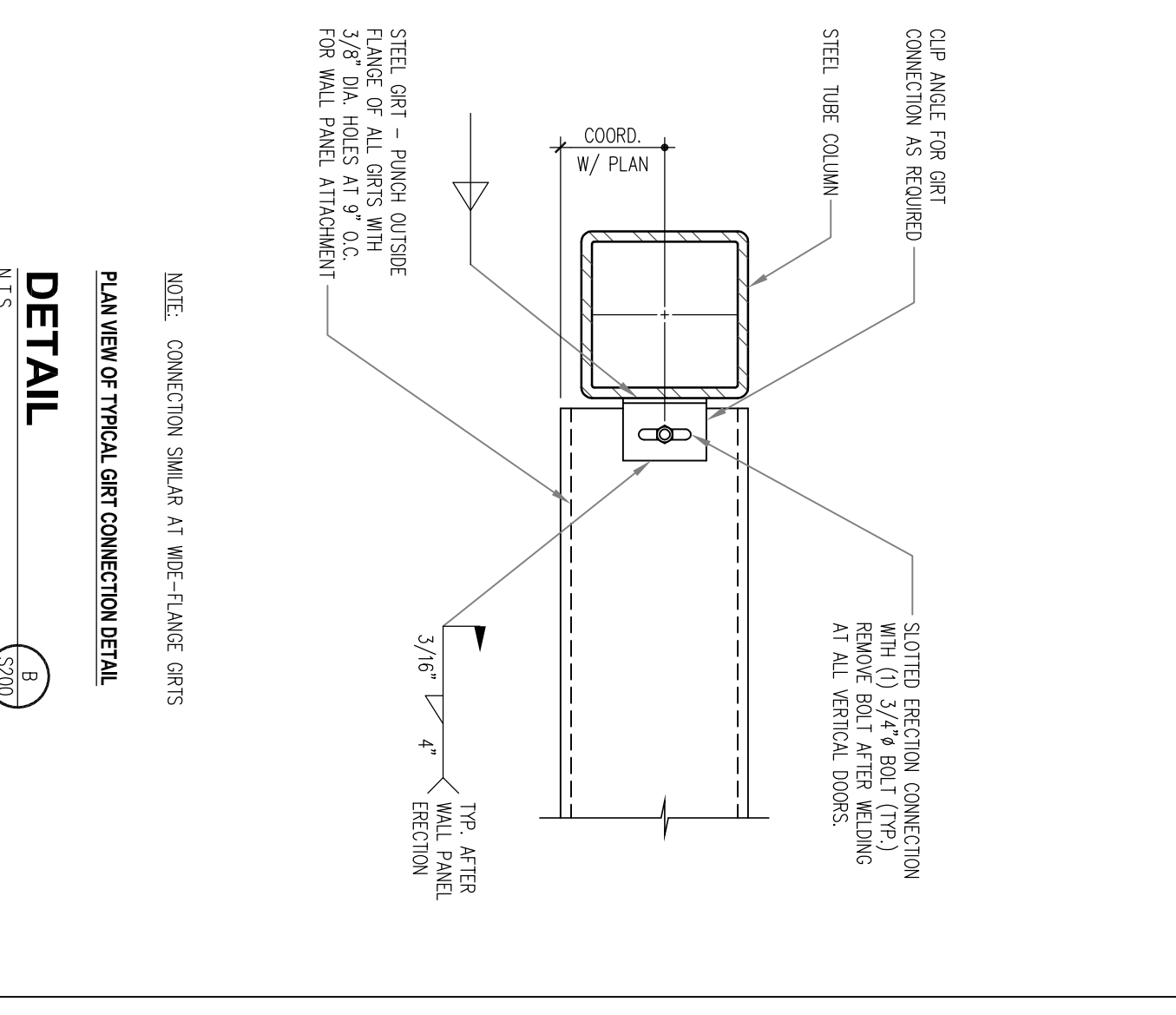


BASE PLATE BP-7  
SEE DETAIL 5000

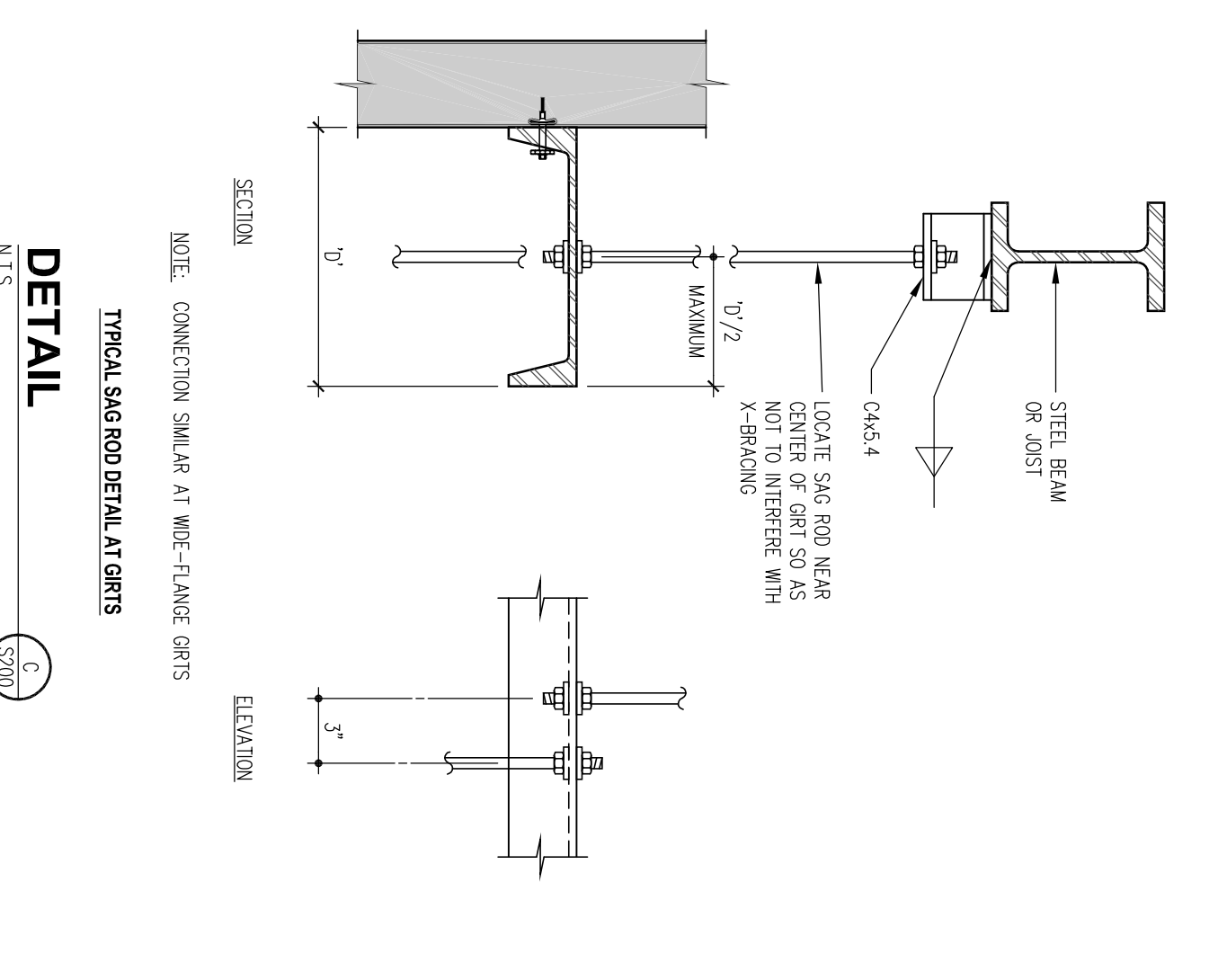
- GIRT NOTES**
- OUTSIDE FLANGE OF GIRTS AND HANGERS ANGLES TO BE FLUSH AGAINST FACE OF WALL PANELS. CONNECTION TO COLUMN CENTRELINE FROM COLUMN CENTRELINE TO PANEL.
  - SPURR FLANGE OF ALL GIRTS AND HANGERS ANGLES WITH 3/8" DIA. HOLES AT 5'-0" ON 3/8" WALL PANEL JOINTS.
  - ALL WALL BRACING SHALL BE ON CENTRELINE OF COLUMNS UNLESS SHOWN OTHERWISE.
  - PROVIDE SLOTTED CONNECTIONS FOR GIRTS, WALL BRACING AND HANGERS ANGLES AS REQUIRED FOR ALIGNMENT AND ALIGNMENT.
  - PROVIDE THROUGH-BOLTS ON ROOF WALL BRACING AS REQUIRED FOR TIGHTENING ANGLES AS REQUIRED FOR ALIGNMENT AND ALIGNMENT.
  - PROVIDE OVERSIZED HOLES IN GIRTS WHERE ALL WALL BRACING PREPARES GIRTS.
  - PROVIDE 1/2" DIA. S&B RODS AT 10'-0" O.C. MAXIMUM FOR ALL GIRTS. PROVIDE DOUBLE WIT S&B ROD CONNECTIONS = (4) WIT ON EACH SIDE OF GIRT WEB.
  - PROVIDE OVERSIZED HOLES IN GIRTS WHERE ALL WALL BRACING PREPARES GIRTS.



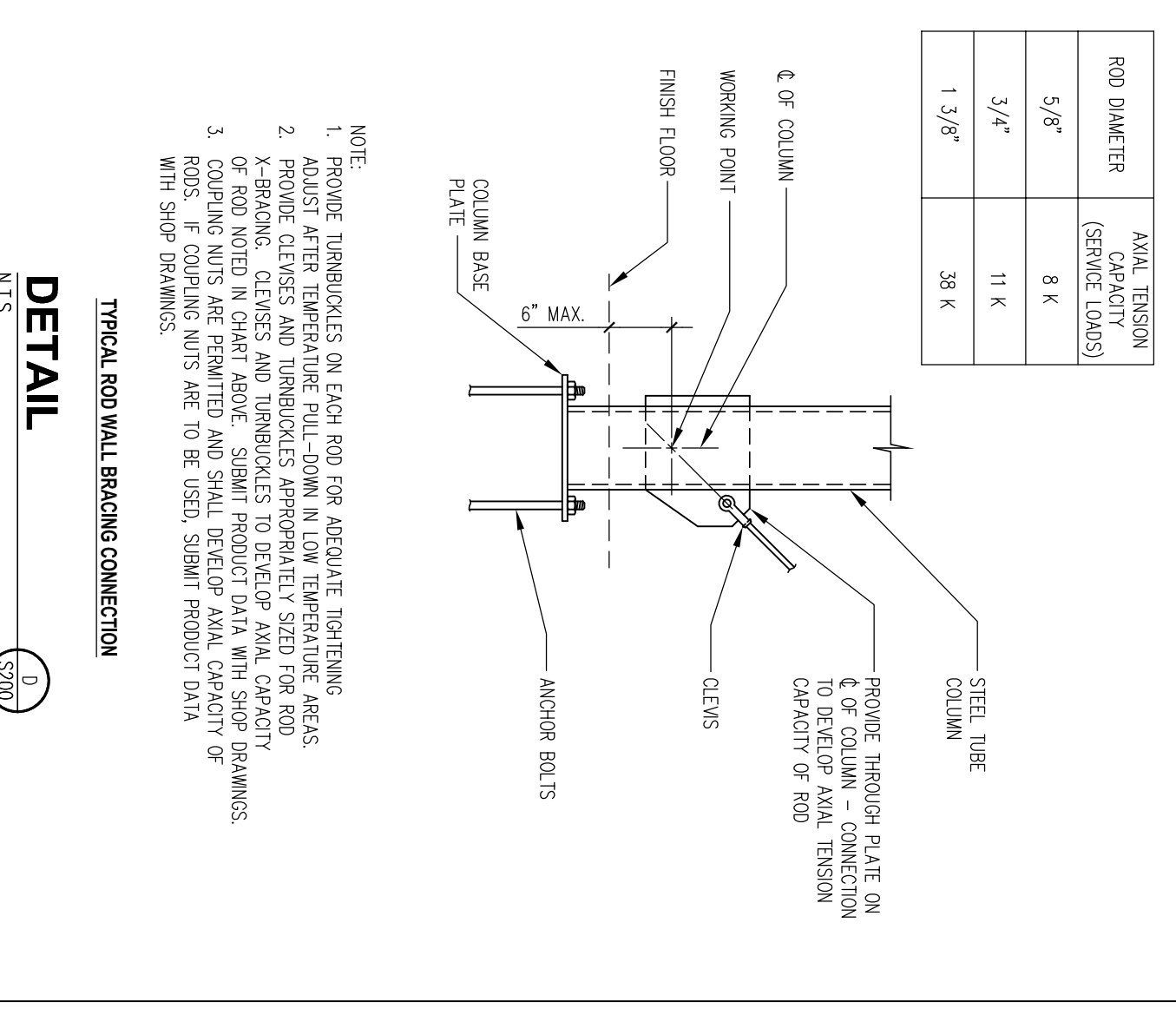
TYPICAL BASE PLATE DETAIL  
SCALE: 1/4" = 1'-0"



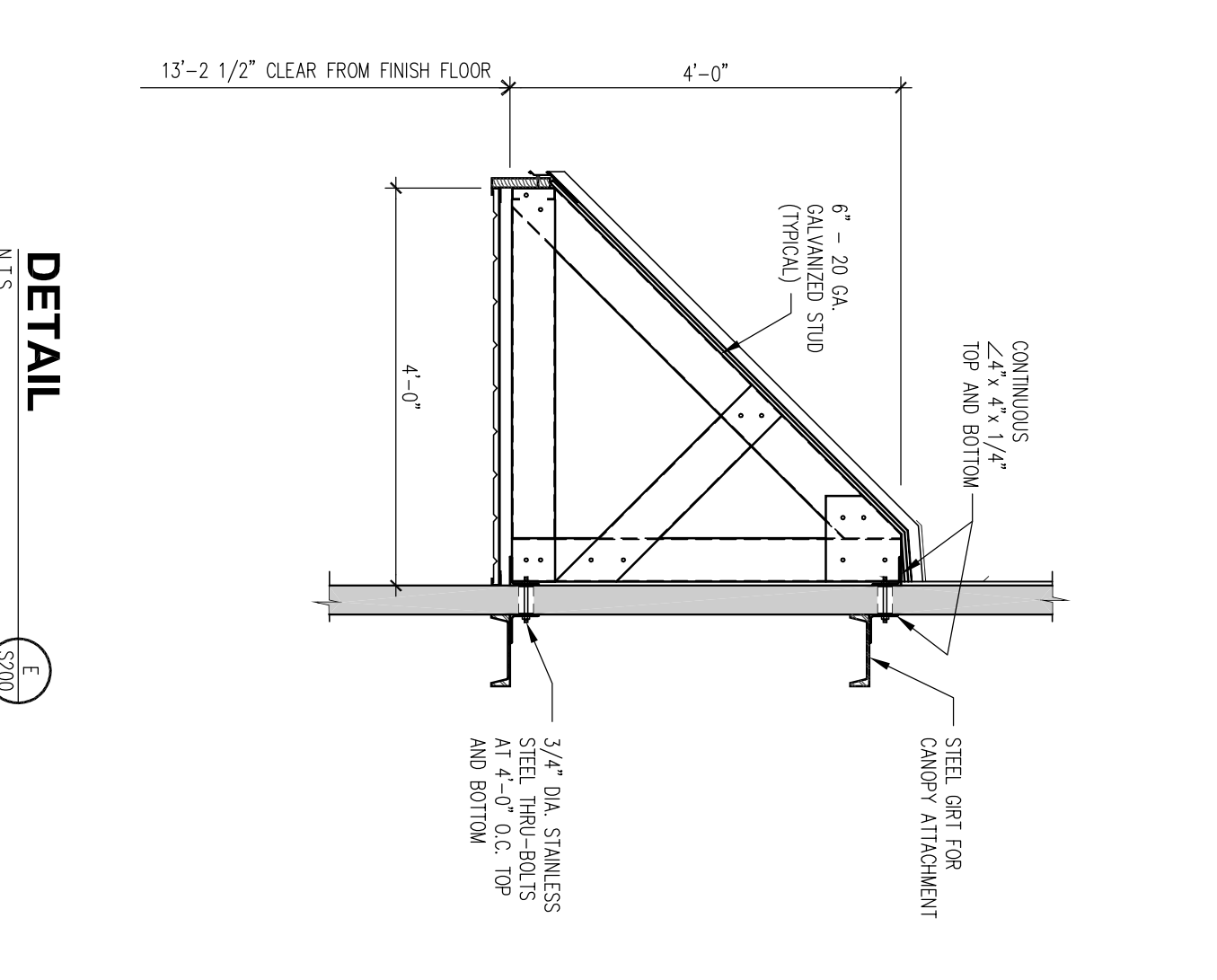
PLAN VIEW OF TYPICAL GIRT CONNECTION DETAIL  
SCALE: 1/4" = 1'-0"



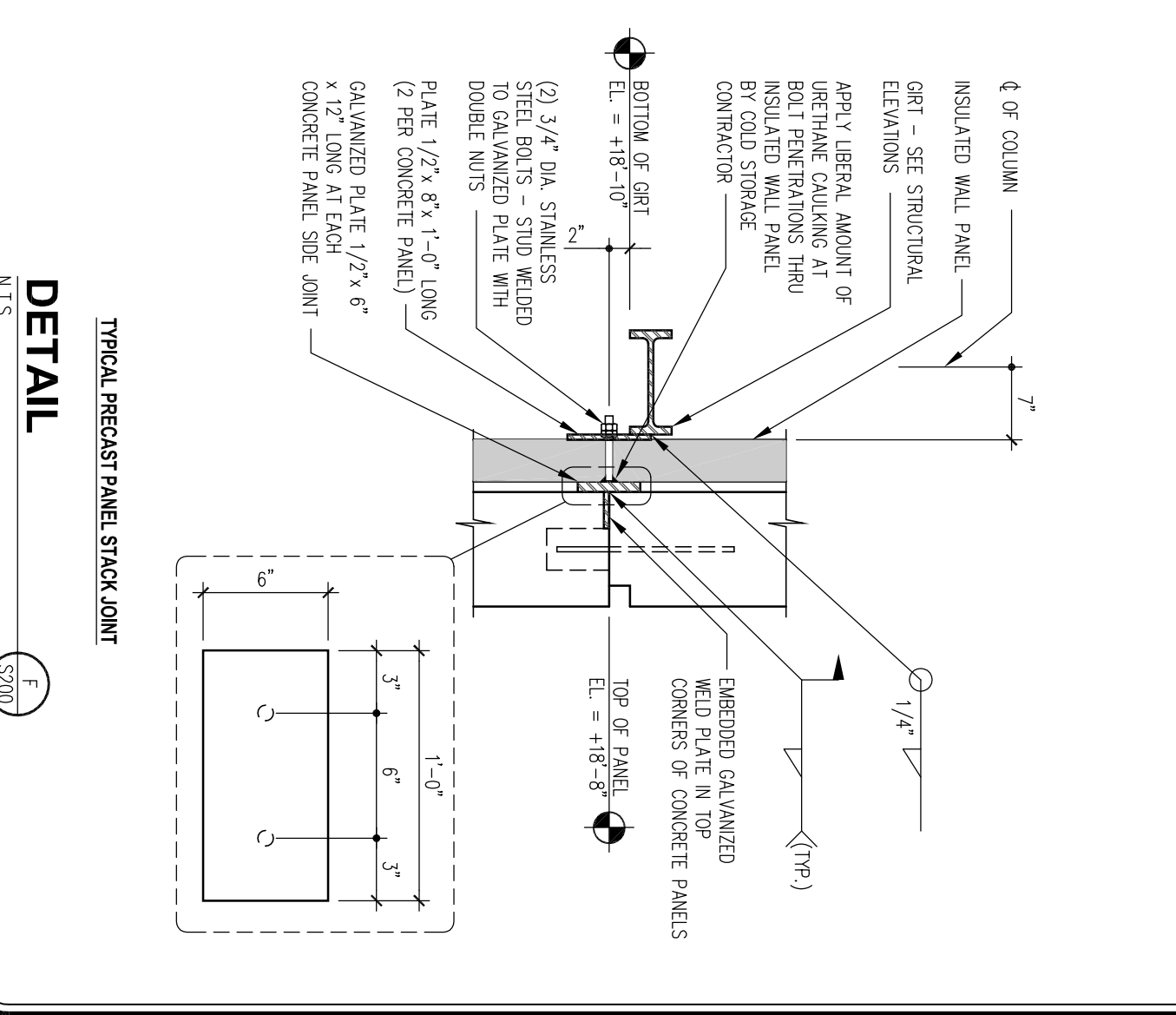
TYPICAL S&B ROD DETAIL AT GIRTS  
SCALE: 1/4" = 1'-0"



TYPICAL ROD AND WALL BRACING CONNECTION  
SCALE: 1/4" = 1'-0"



TYPICAL PRESTRESS PANEL STACK JOINT  
SCALE: 1/4" = 1'-0"



TYPICAL PRESTRESS PANEL STACK JOINT  
SCALE: 1/4" = 1'-0"

PROJECT NUMBER:	0167.00
DATE:	MARCH 1, 2004
PROJECT TITLE:	384 FOREST AVENUE PORTLAND, MAINE 04101
DRIVING NUMBER:	S200
REVISION:	0

**Oakhurst DAIRY**  
NEW MILK COOLER

384 FOREST AVENUE  
PORTLAND, MAINE 04101

PROJECT NUMBER: 0167.00  
DATE: MARCH 1, 2004

DRIVING NUMBER: S200  
REVISION: 0

**REVISIONS**

NO.	DESCRIPTION
0	3-1-04 ISSUED FOR BIDDING

This drawing and all information contained herein, remains the property of FACILITIES DESIGN, INC. and shall not be reproduced in whole or in part without the written consent of FACILITIES DESIGN, INC. Do not scale drawing. Contractor shall be responsible for all dimensions and to construction. Any discrepancies shall refer to construction for resolution.

PROJECT MANAGER: J.A.S.  
DESIGNED BY: J.A.S.  
DRAWN BY: G.L.B.  
CHECKED BY: J.A.S.

**FACILITIES DESIGN**

3904 Ashd Drive  
Columbia, Pennsylvania 17512  
Phone: (717) 285-9442  
Fax: (717) 285-3102  
Email: info@facilitiesdesign.com  
Web: www.facilitiesdesign.com

CA Number: 20001818

Engineering Design Services  
Mechanical Engineering  
Blades  
Fire Protection  
Process Engineering  
Structural Engineering  
Thermal Analysis  
Thermal Modeling  
Project Services  
Construction Management  
Project Cost Estimation  
Master Planning Services