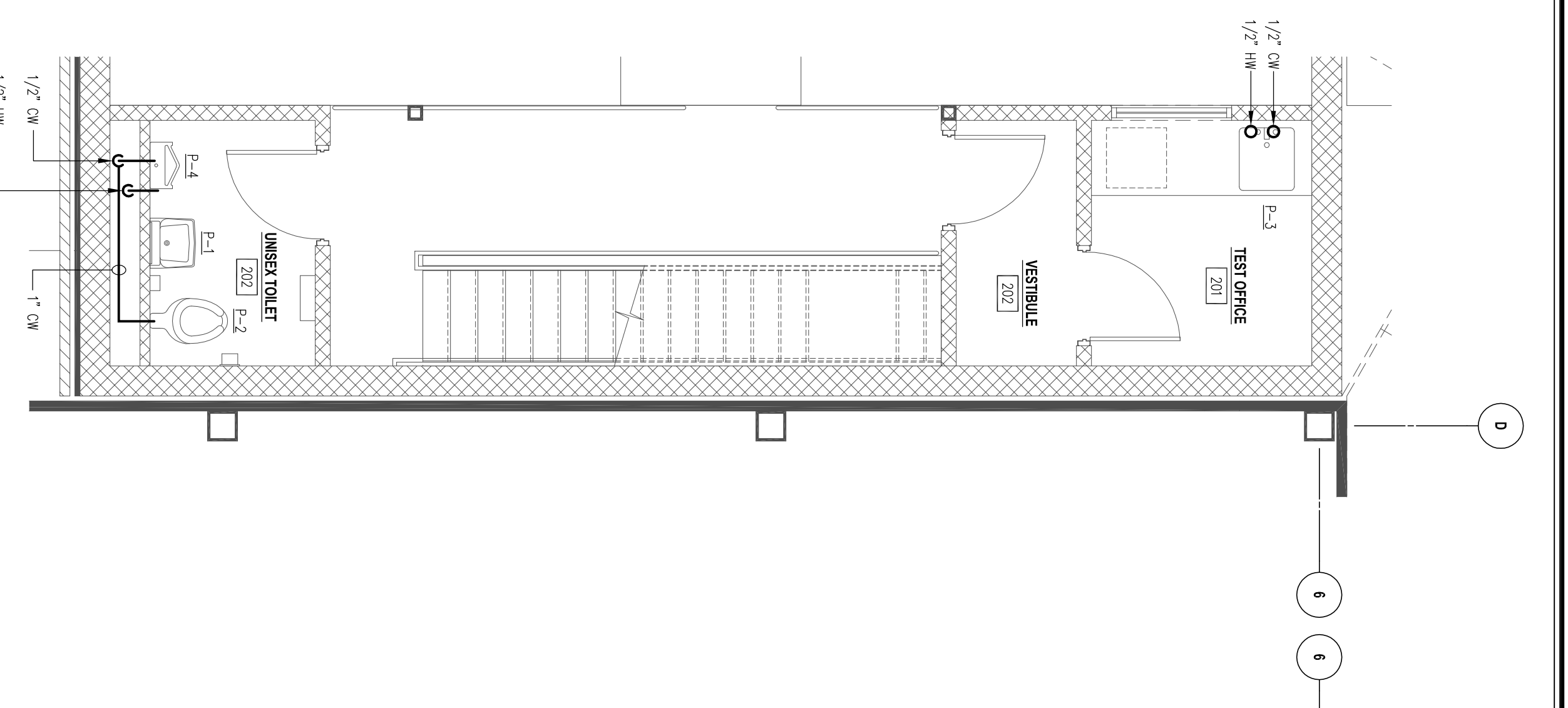
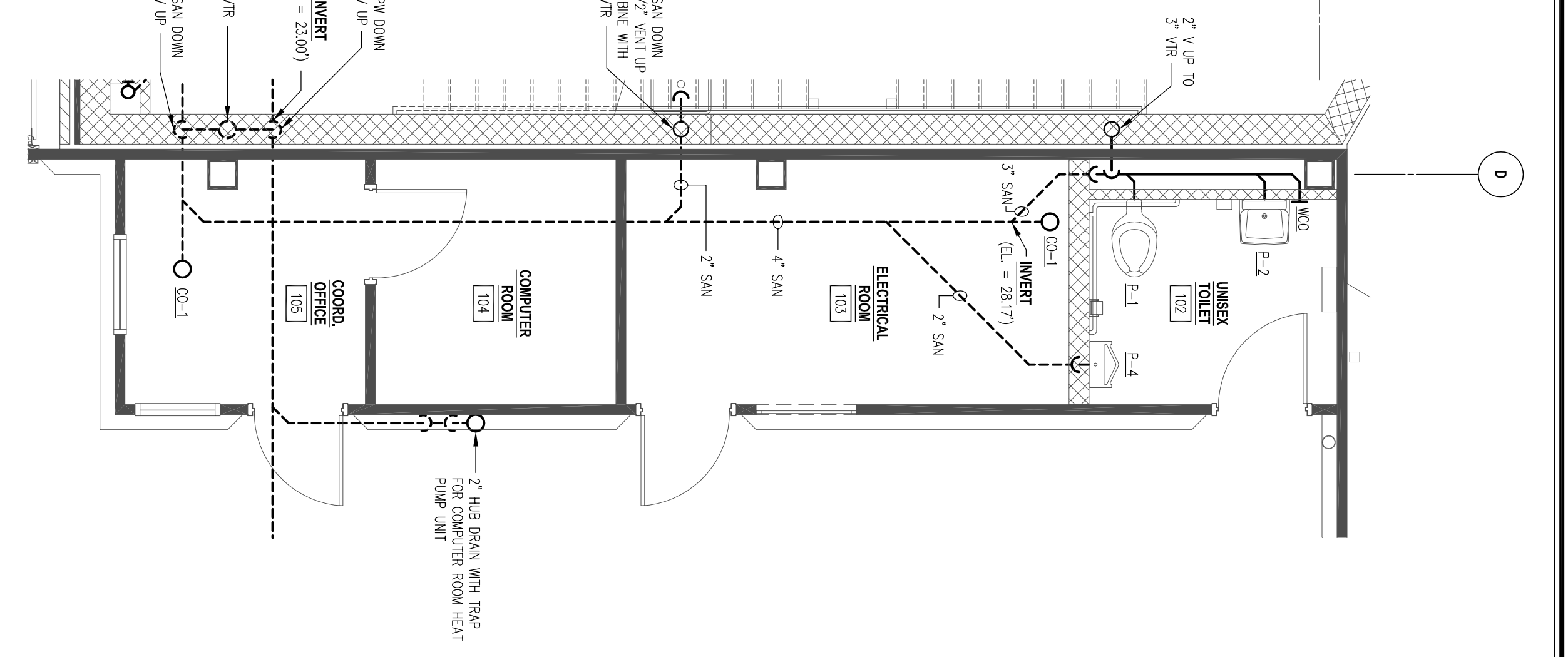


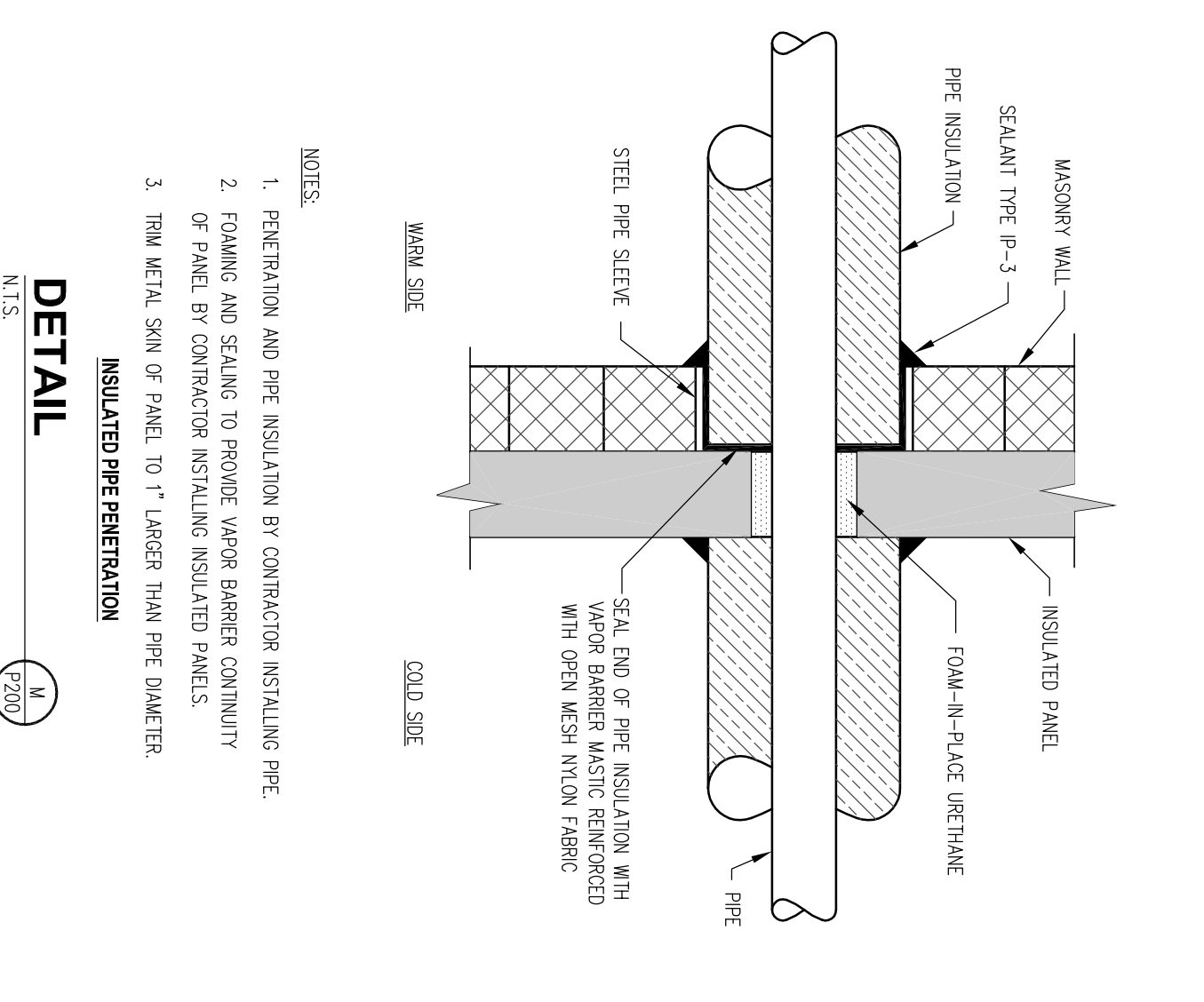
TEST OFFICE UNDERFLOOR PIPING PLAN  
SCALE: 1/4" = 1'-0"



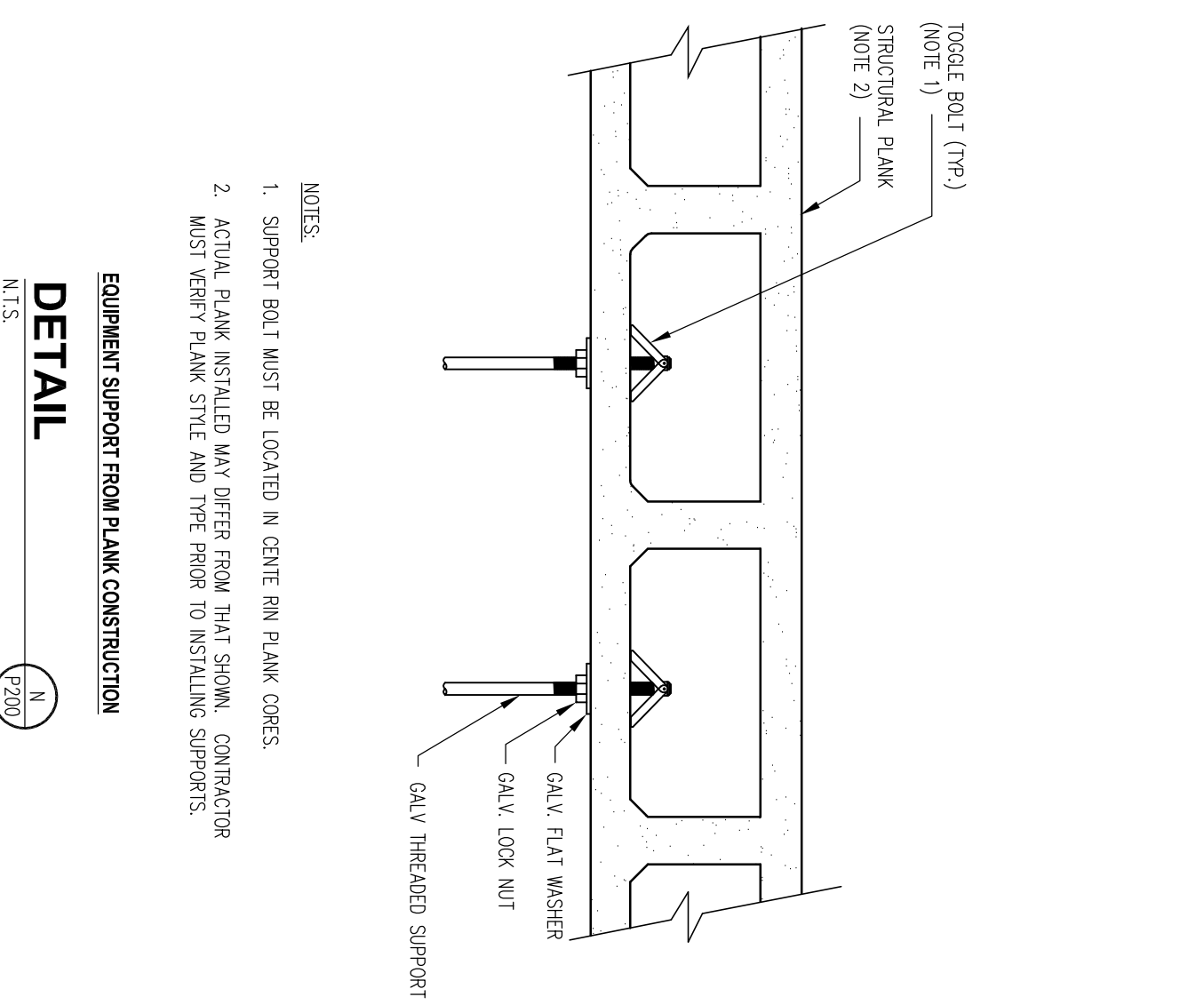
TEST OFFICE ABOVEFLOOR PIPING PLAN  
SCALE: 1/4" = 1'-0"



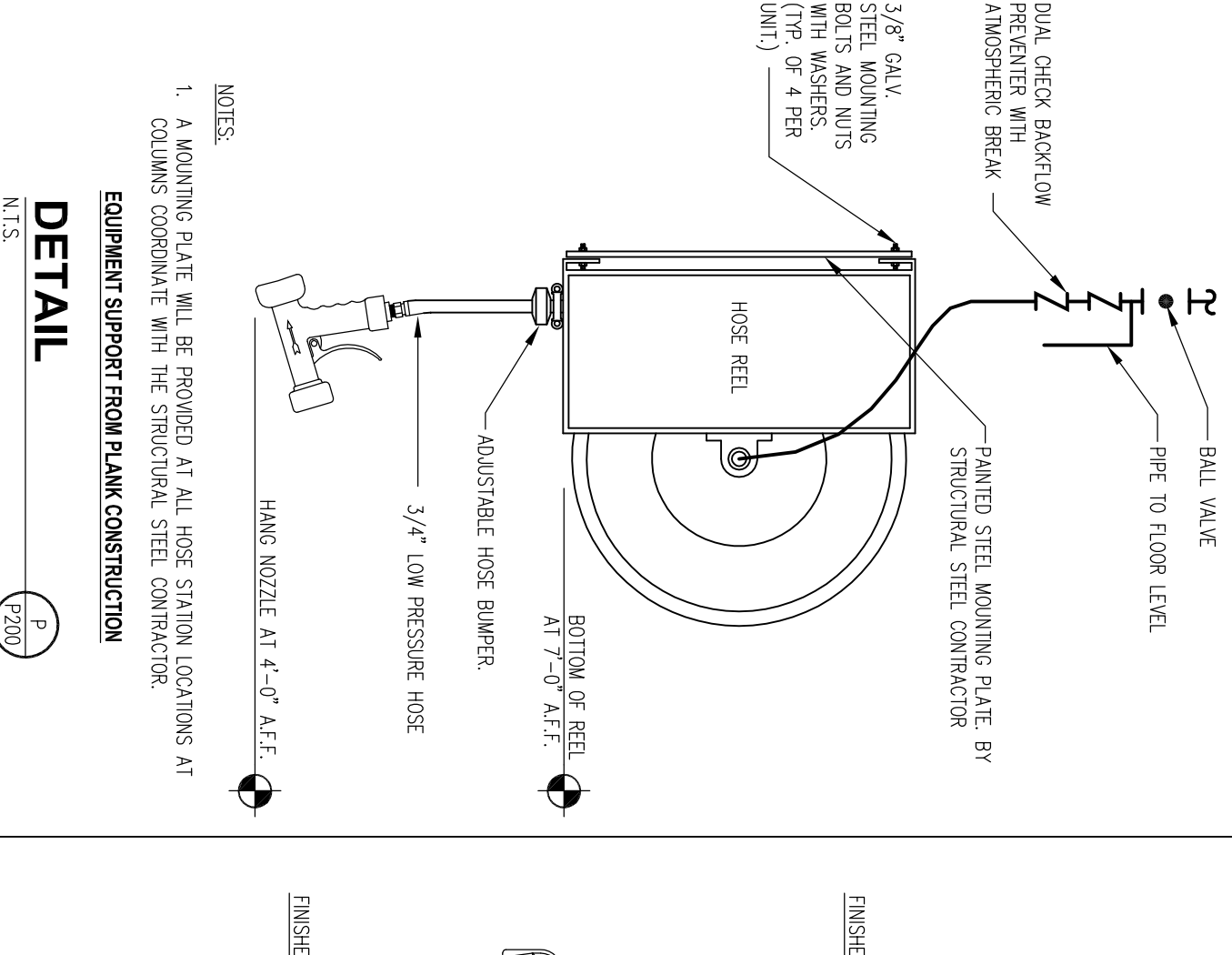
ENLARGED FIRST FLOOR PLAN  
SCALE: 1/4" = 1'-0"



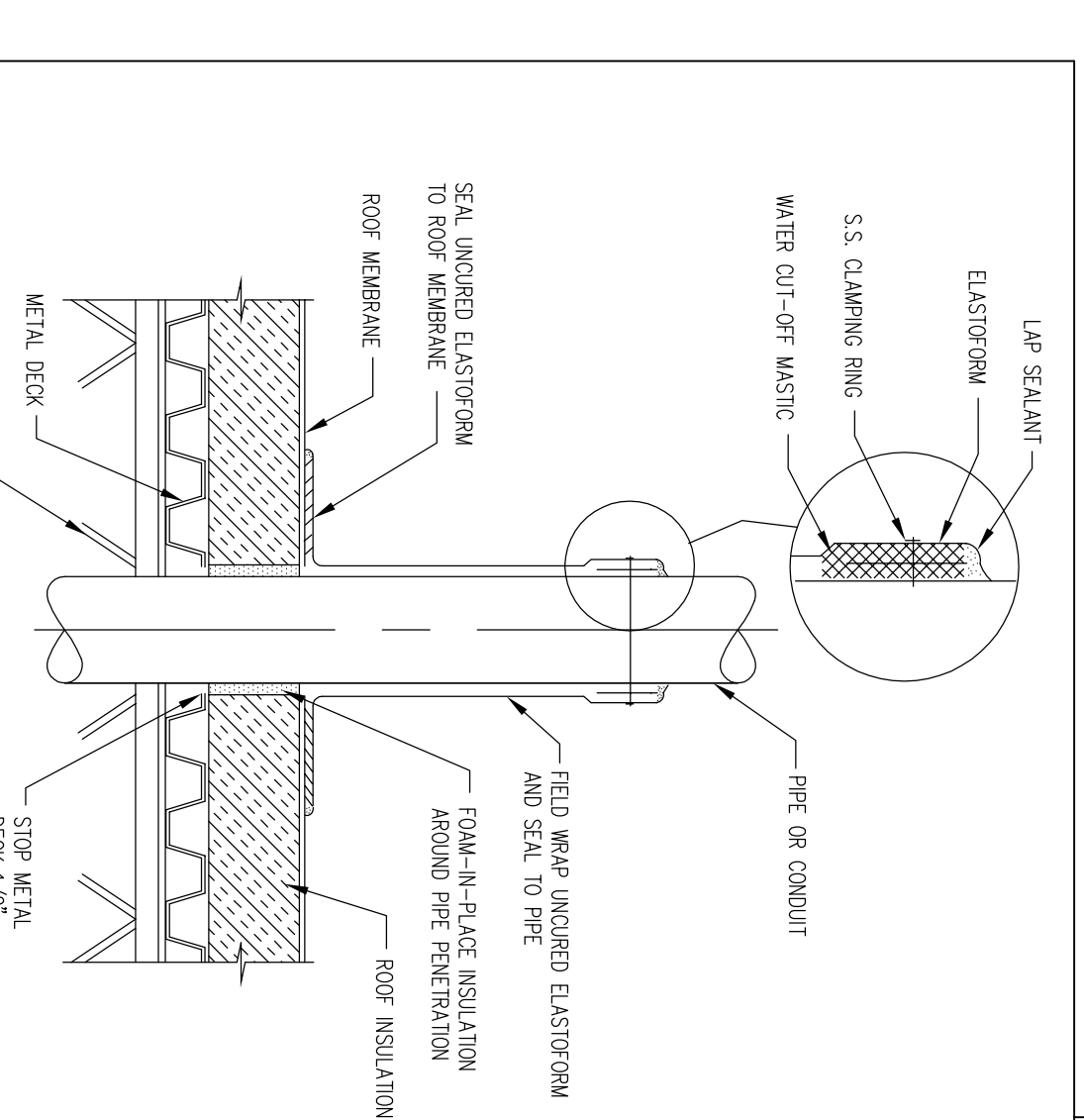
TYPICAL PIPE SUPPORT ON ROOF DETAIL  
DETAIL  
SCALE: 1/4" = 1'-0"



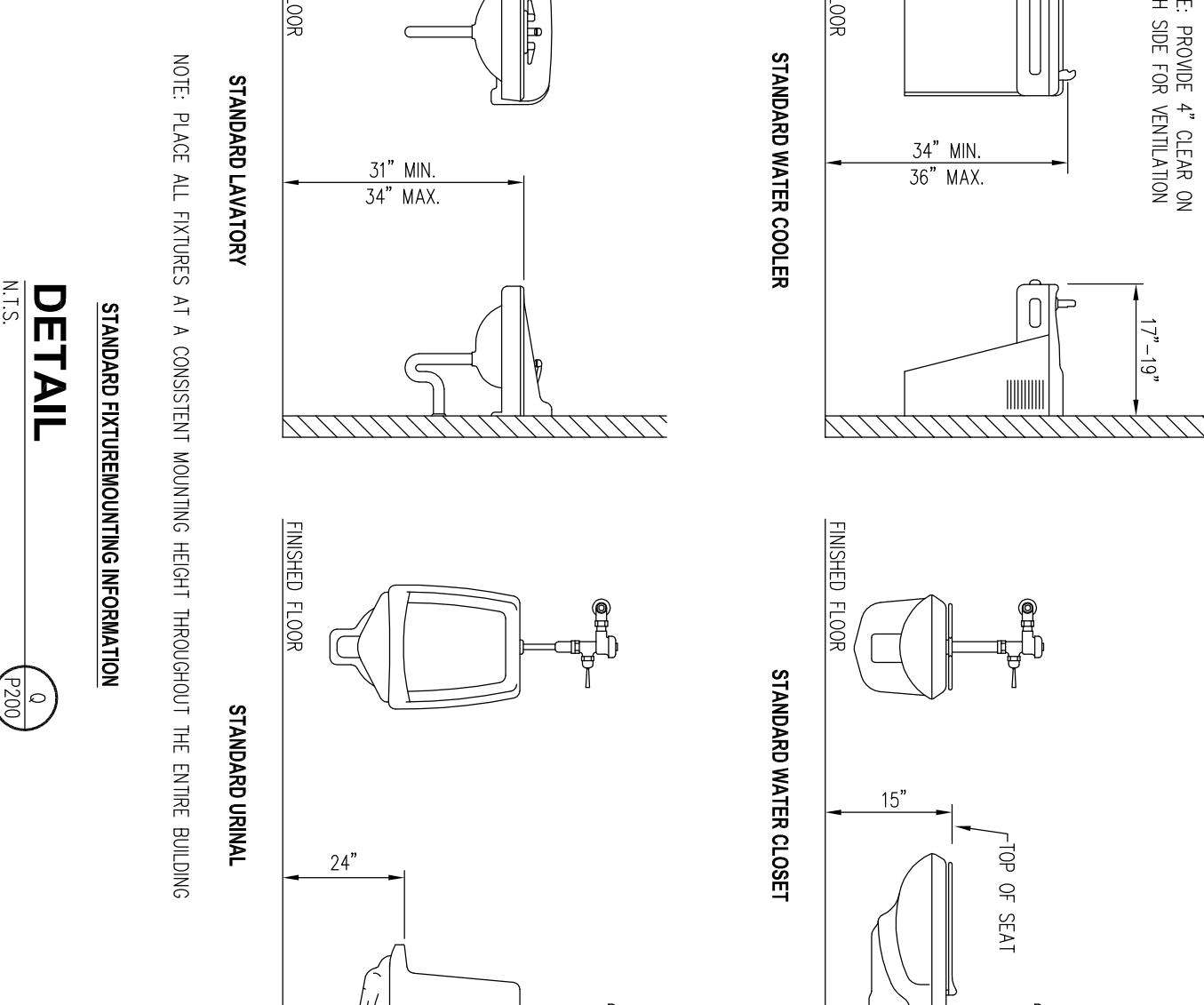
MEASURED HEATER DETAIL  
DETAIL  
SCALE: 1/4" = 1'-0"



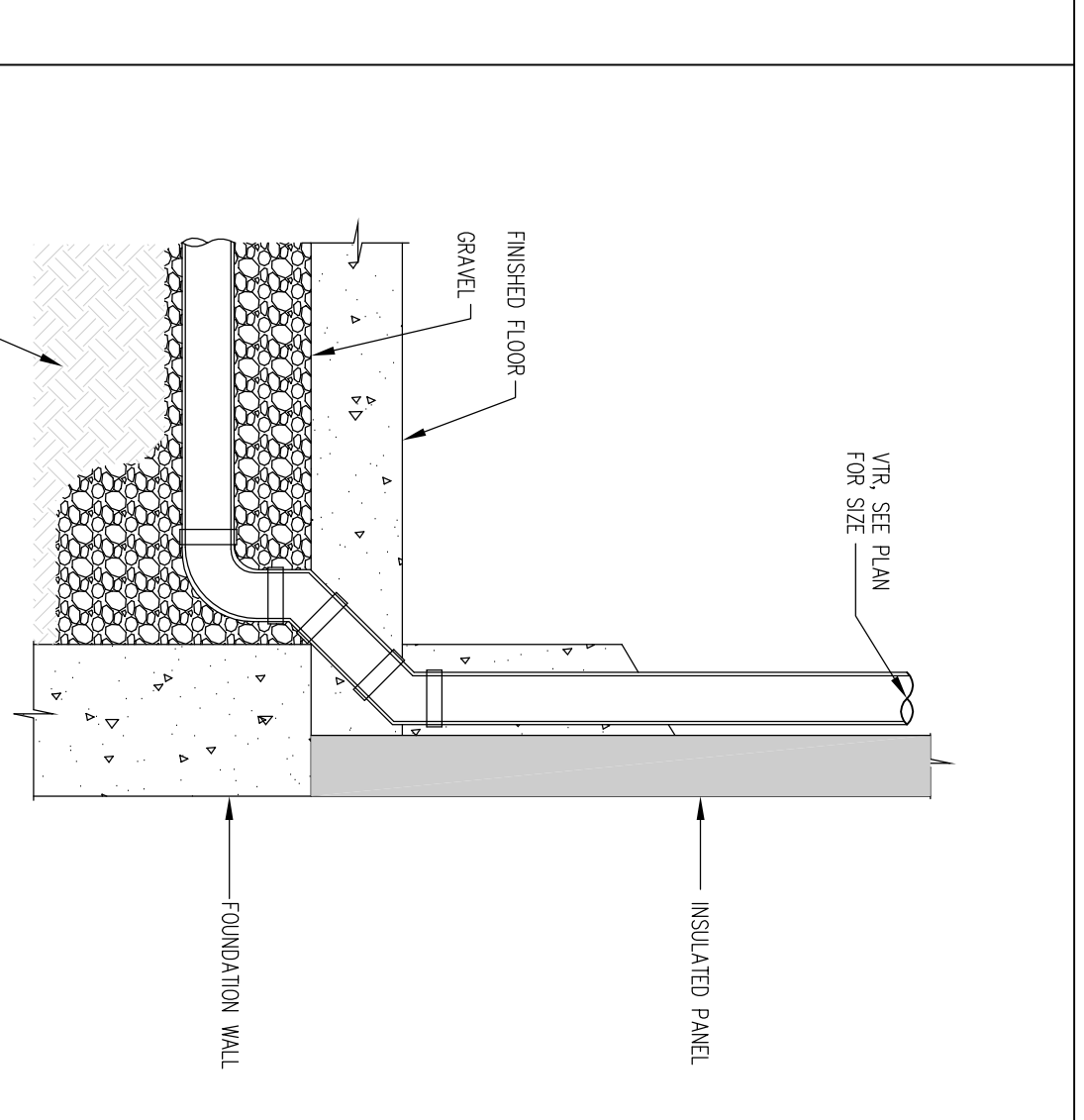
RETRACTABLE HOSE REEL DETAIL  
DETAIL  
SCALE: 1/4" = 1'-0"



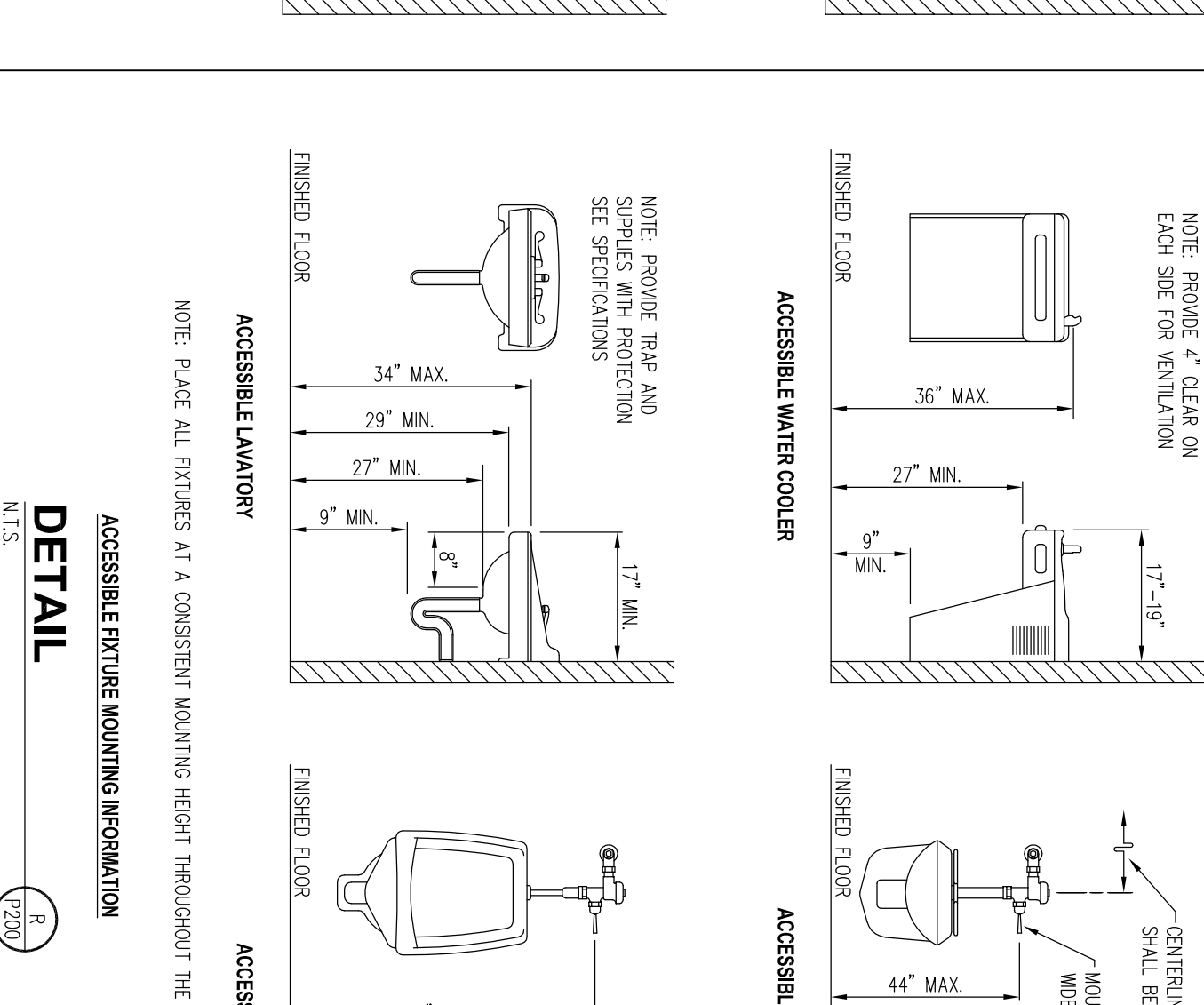
NON-INSULATED PIPE PENETRATION THROUGH ROOF DETAIL  
DETAIL  
SCALE: 1/4" = 1'-0"



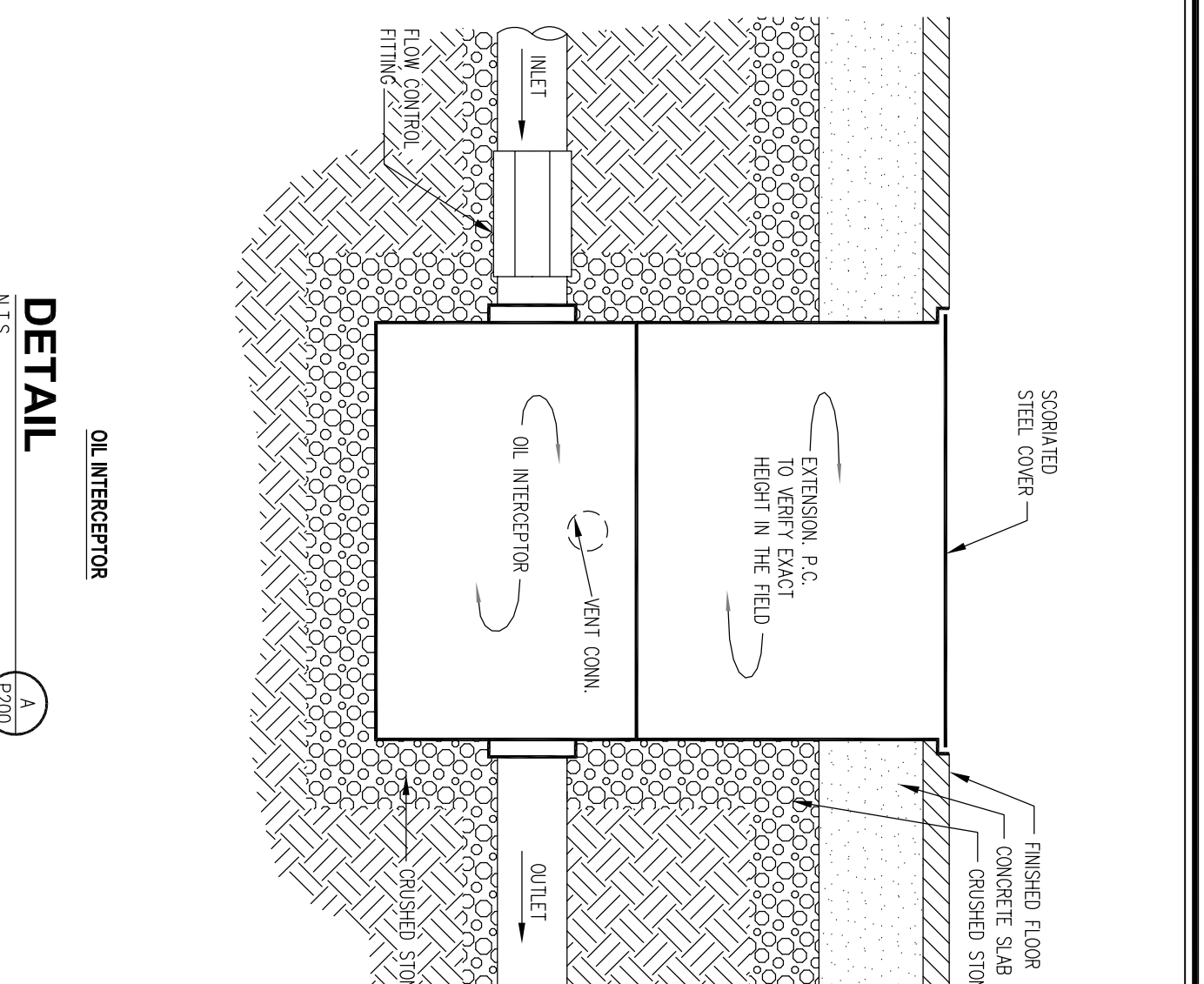
STANDARD WATER COOLER DETAIL  
DETAIL  
SCALE: 1/4" = 1'-0"



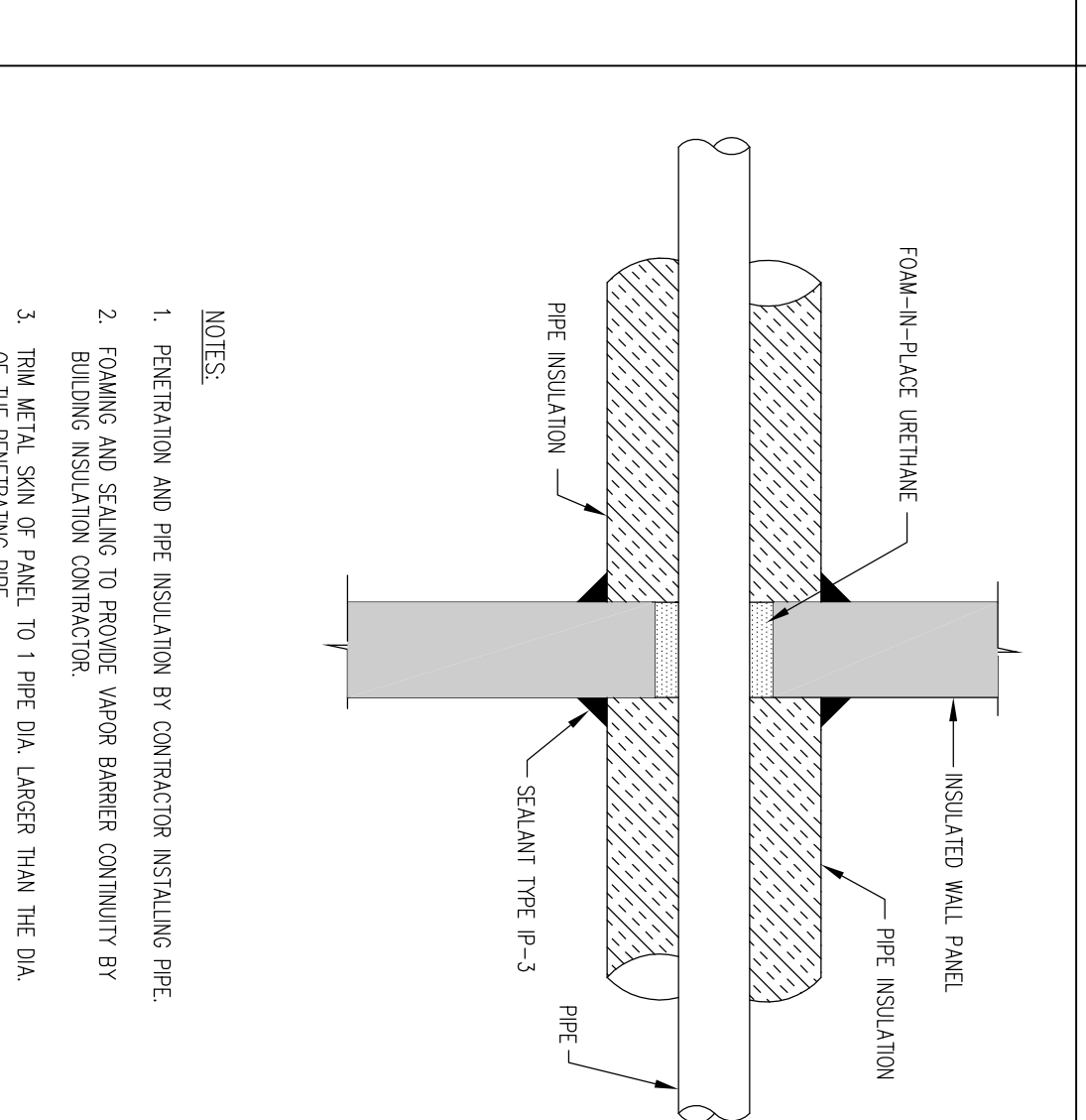
COOLER VENT PIPE DETAIL  
DETAIL  
SCALE: 1/4" = 1'-0"



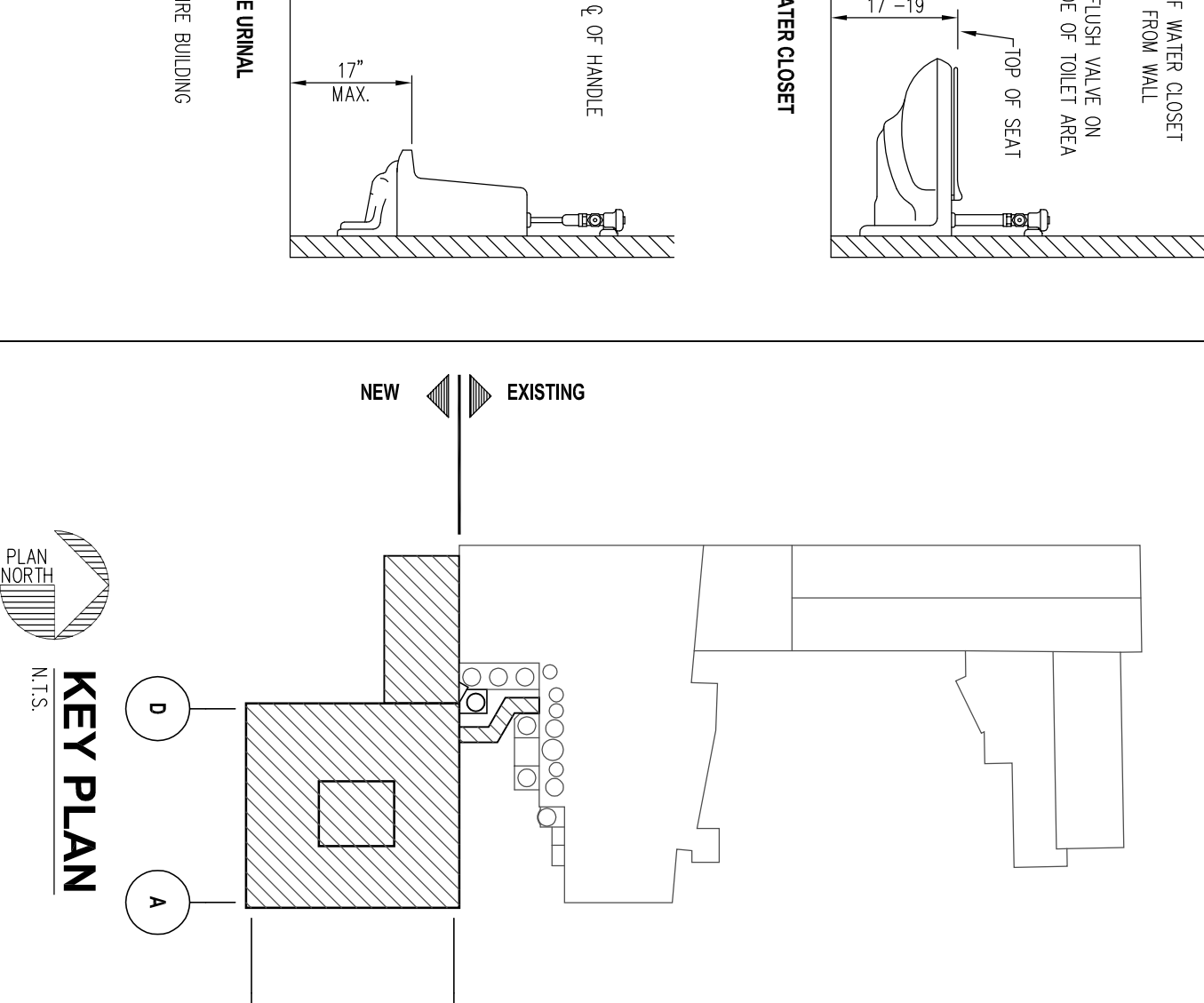
ACCESSIBLE WATER COOLER DETAIL  
DETAIL  
SCALE: 1/4" = 1'-0"



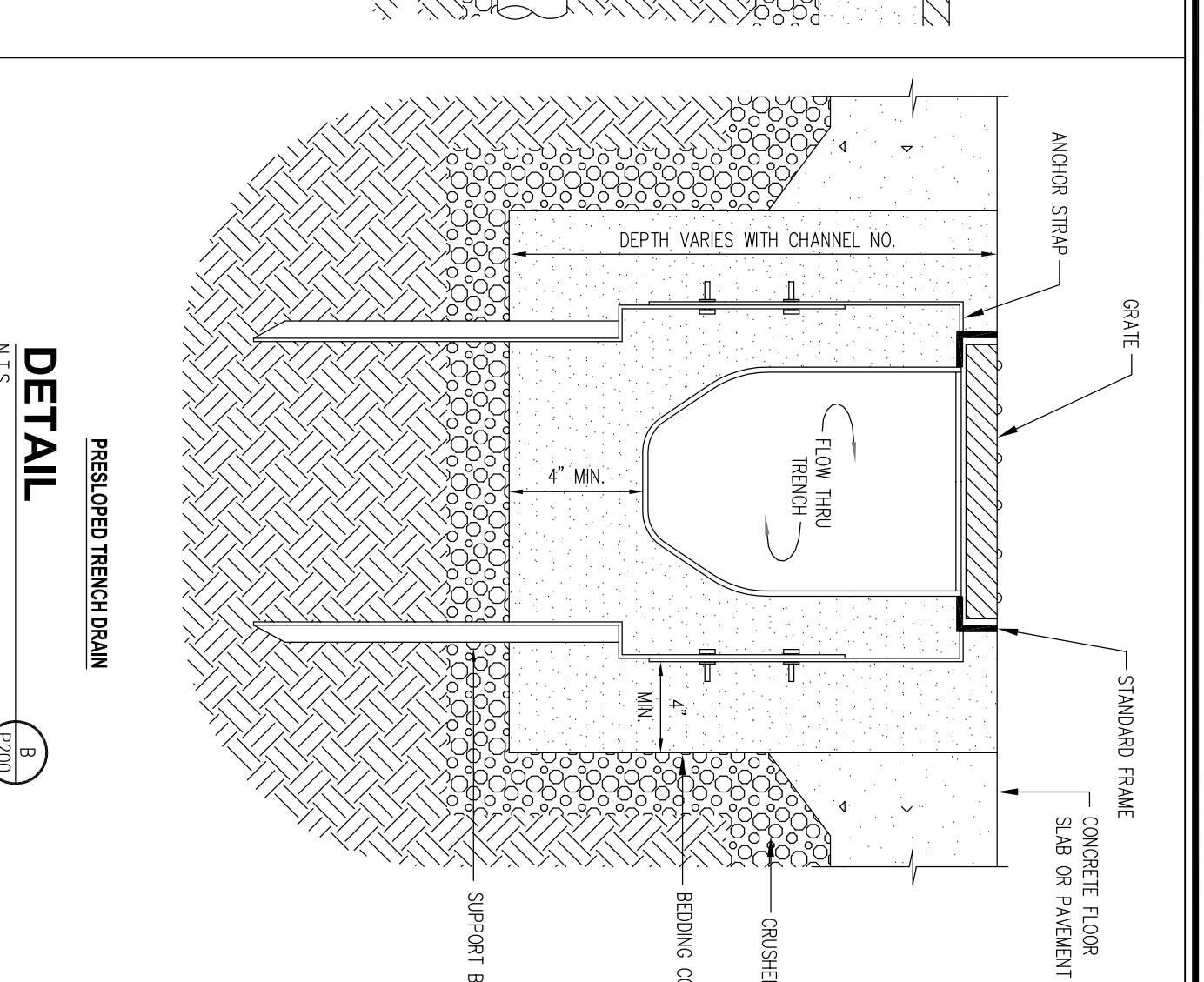
OIL INTERCEPTOR DETAIL  
DETAIL  
SCALE: 1/4" = 1'-0"



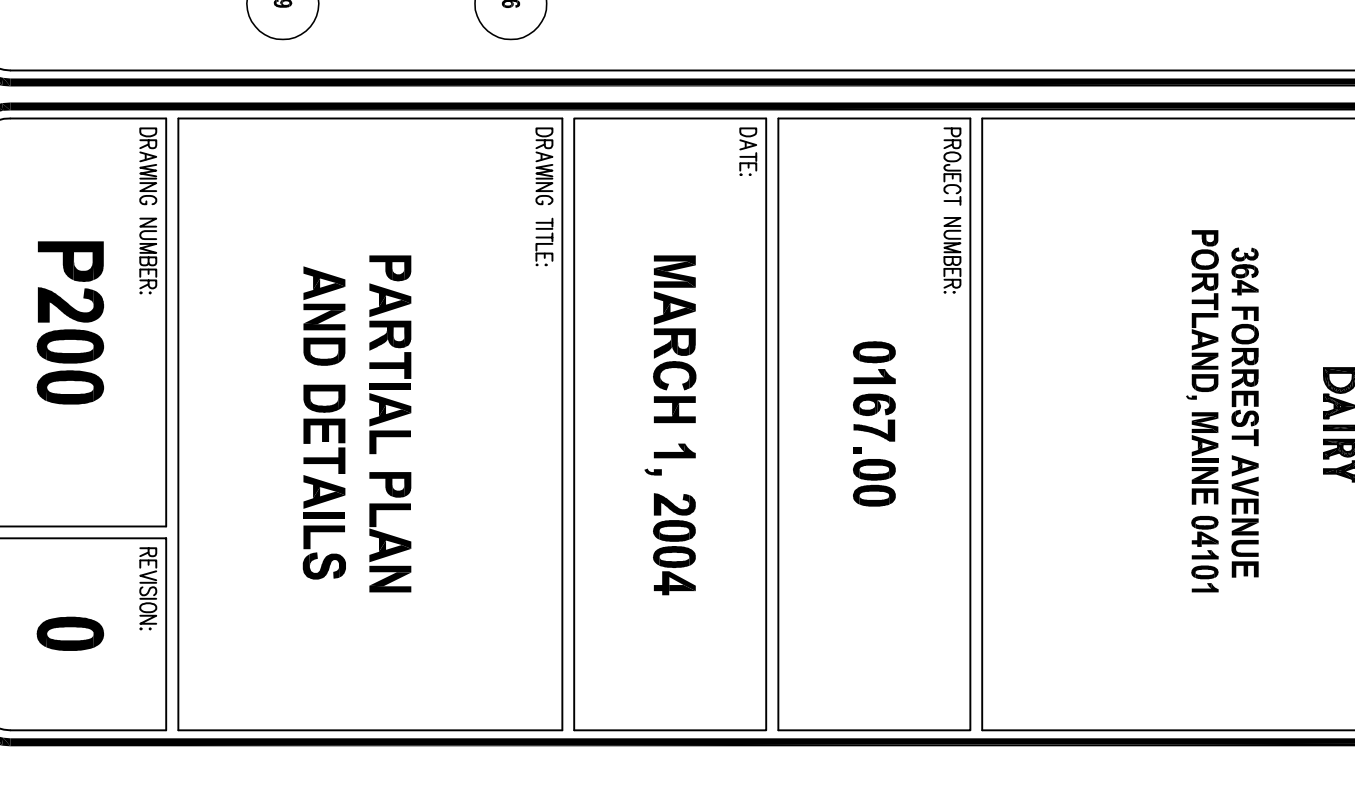
WALL PANEL PENETRATION DETAIL  
DETAIL  
SCALE: 1/4" = 1'-0"



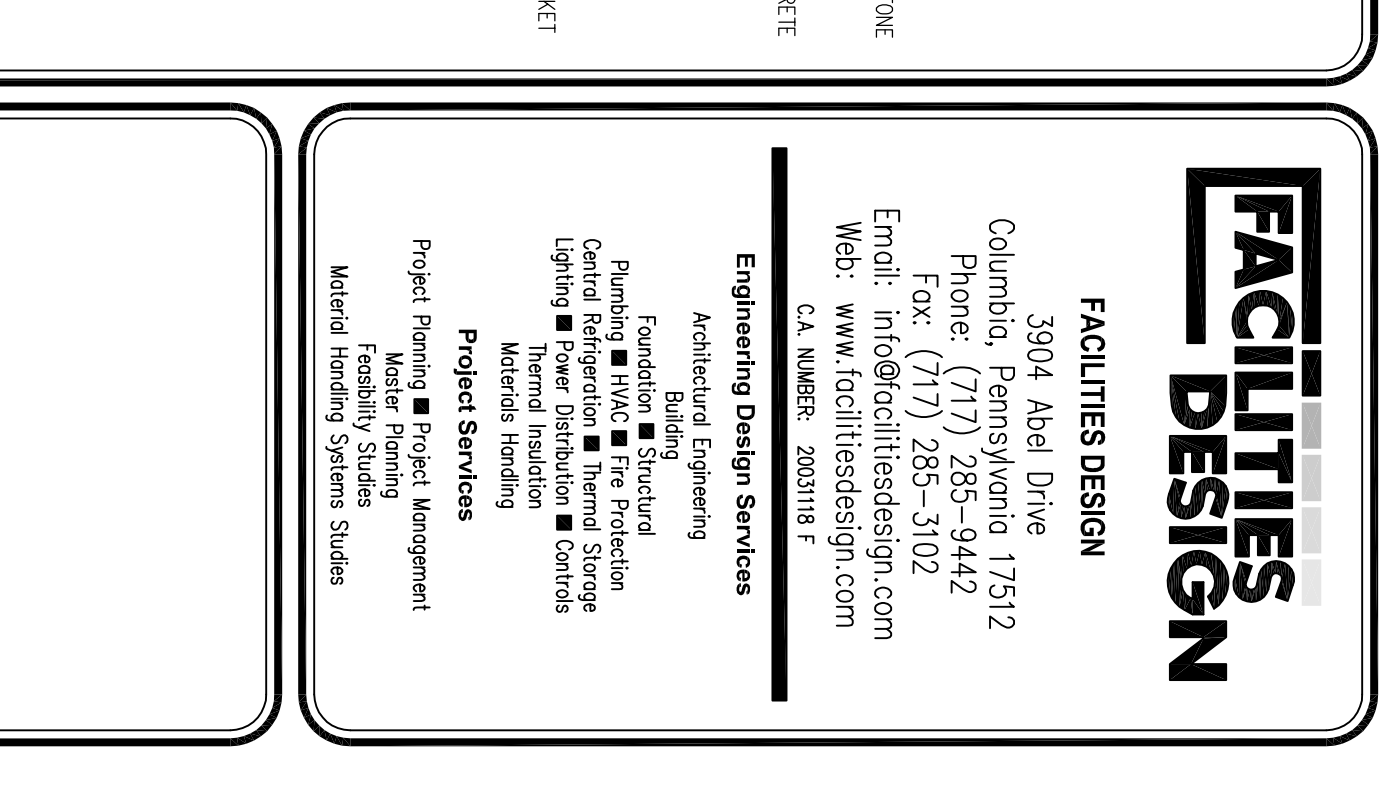
WATER HEATERS DETAIL  
DETAIL  
SCALE: 1/4" = 1'-0"



PRESLOPED TRENCH DRAIN DETAIL  
DETAIL  
SCALE: 1/4" = 1'-0"



KEY PLAN  
SCALE: 1/4" = 1'-0"



**Facilities Design**

3904 Ashl Drive  
Columbia, Pennsylvania 17512  
Phone: (717) 285-9442  
Fax: (717) 285-3102  
Email: info@facilitiesdesign.com  
Web: www.facilitiesdesign.com  
CA NUMBER: 2003118

Architectural Engineering  
Building Structural  
Fire Protection  
Mechanical  
Process  
Plumbing  
Piping  
Site  
Specialty  
Thermal  
Transportation  
Water

Project: Facilities Design Management  
Master Planning System Studies

**Oaklure Dairy**

NEW MILK COOLER

384 FOREST AVENUE  
PORTLAND, MAINE 04101

PROJECT NUMBER: 0167.00

DATE: MARCH 1, 2004

DRAWING TITLE: PARTIAL PLAN AND DETAILS

DRAWING NUMBER: P200

REVISIONS: 0