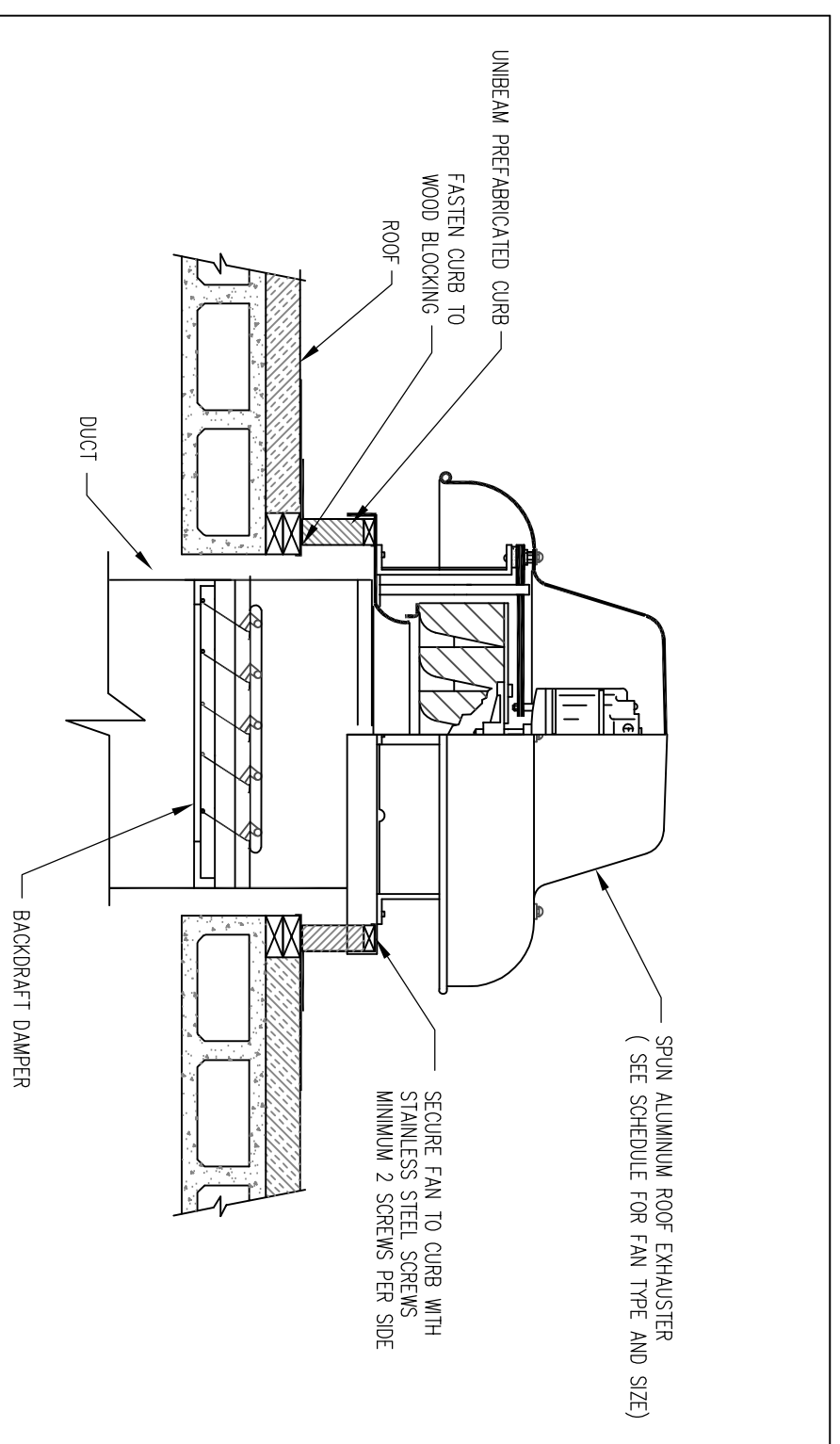
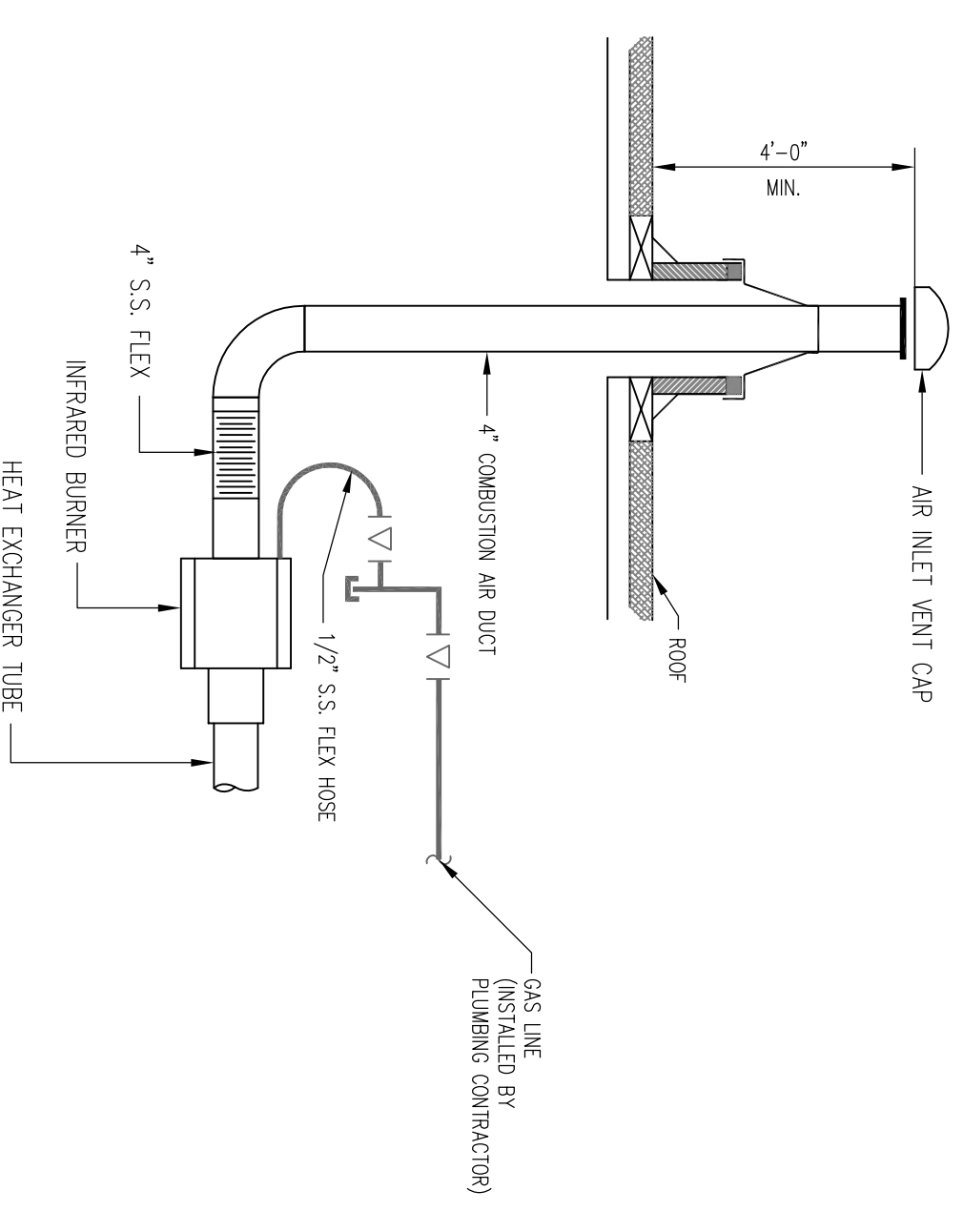


ENLARGED SECOND FLOOR PLAN
SCALE: 1/4" = 1'-0"
PLAN NOTES:
1. PROVIDE ROOF CURB TO MATCH PROFILE SYSTEM AND REFERRED DRAWING TO CURB.



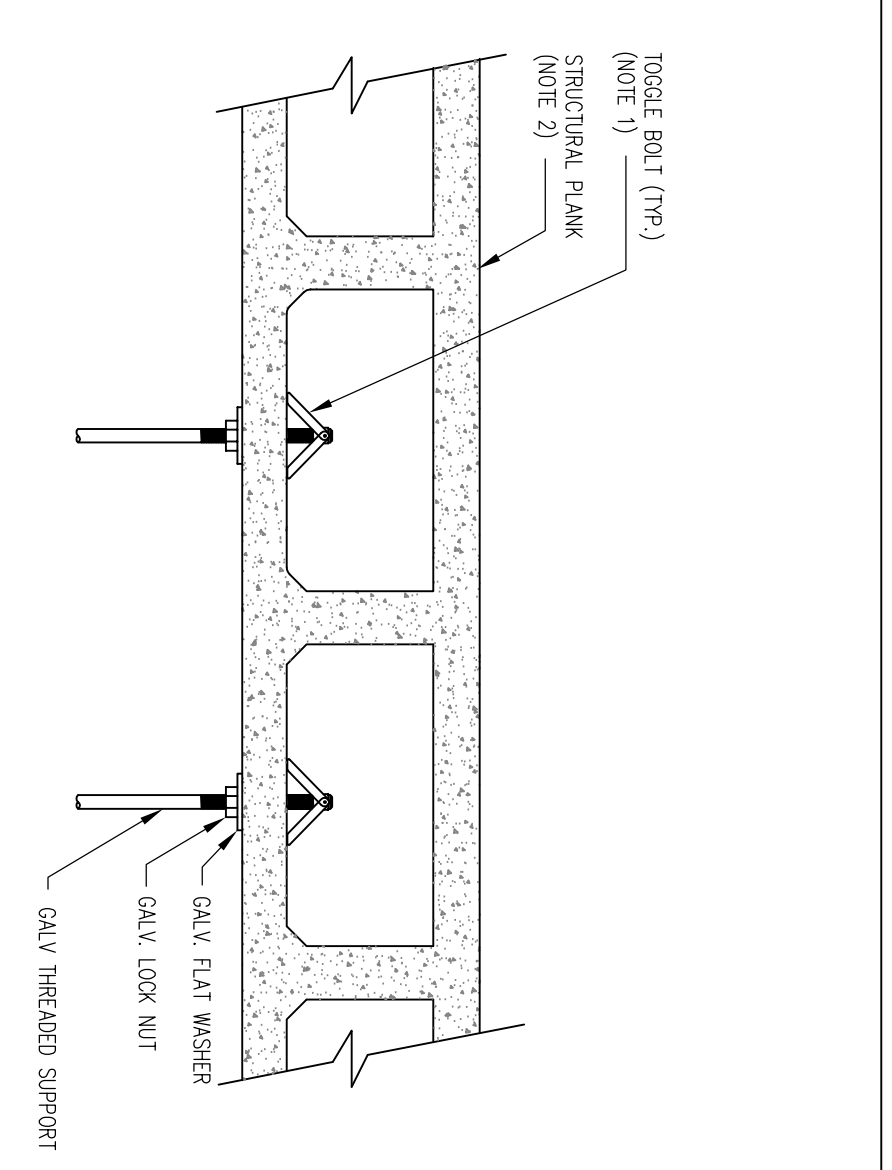
- NOTES**
1. SET FAN SCHEDULE FOR FAN PERFORMANCE AND ACCESSORIES.
 2. MATCH FAN DUCT CONNECTION AS REQUIRED TO MANUFACTURER'S SCHEDULE.
 3. SCOPE UNIT TO CURB AS RECOMMENDED BY UNIT MANUFACTURER.
 4. ROOF CURB TURNED BY THE CONTRACTOR AND INSTALLED BY GENERAL CONTRACTOR.

DETAIL 1507
ROOF TOP FAN DETAIL



- NOTES**
1. SET INFRARED HEATER SPECIFICATION FOR CAPACITY.
 2. SUPPORT BRACKETS FROM ROOF AS RECOMMENDED BY MANUFACTURER.
 3. ROOF CURB TURNED BY THE CONTRACTOR AND INSTALLED BY OTHERS.

DETAIL 1508
INFRARED HEATER DETAIL



- NOTES**
1. SUPPORT BRACKETS MUST BE LOCATED IN CENTER OF PLANK CROSS SECTION.
 2. SUPPORT BRACKETS MUST BE LOCATED IN CENTER OF PLANK CROSS SECTION.
 3. MATCH VENT PLANK STYLE AND TYPE FROM TO INSTALLING SUPPORTS.

DETAIL 1509
EQUIPMENT SUPPORT FROM PLANK CONSTRUCTION

MOTOR OPERATED DAMPER SCHEDULE

TAG NUMBER	AREA SERVED	CFM	L x H x D	ASSOCIATION	ELECTRICAL	MANUFACTURER	MODEL NUMBER	REMARKS
WOP-1	ELECTRICAL ROOM	950	36" x 36" x 4"	9-1	120 / 1	ORNDORF	BL-48	-
WOP-2	RECEIVING BAY	7,000	60" x 48" x 4"	ET-2 AND 3	208 / 1	ORNDORF	BL-48	-

REMARKS

ELECTRIC HEATER SCHEDULE

TAG NUMBER	AREA SERVED	CFM	THROW	HP	KW	VOLTS PH	MANUFACTURER	MODEL NUMBER	REMARKS
EH-1	TOILET 203	-	-	-	1.0	120 / 1	ORNDORF	BL-48	-
EH-2	OFFICE 105	-	-	-	1.0	120 / 1	ORNDORF	BL-48	-
EH-3	OFFICE 105	-	-	-	1.0	120 / 1	ORNDORF	BL-48	-
EH-4	TOILET 102	-	-	-	1.0	120 / 1	ORNDORF	BL-48	-
EH-5	SPRINKLER ROOM 108	-	-	-	1.0	120 / 1	ORNDORF	BL-48	-

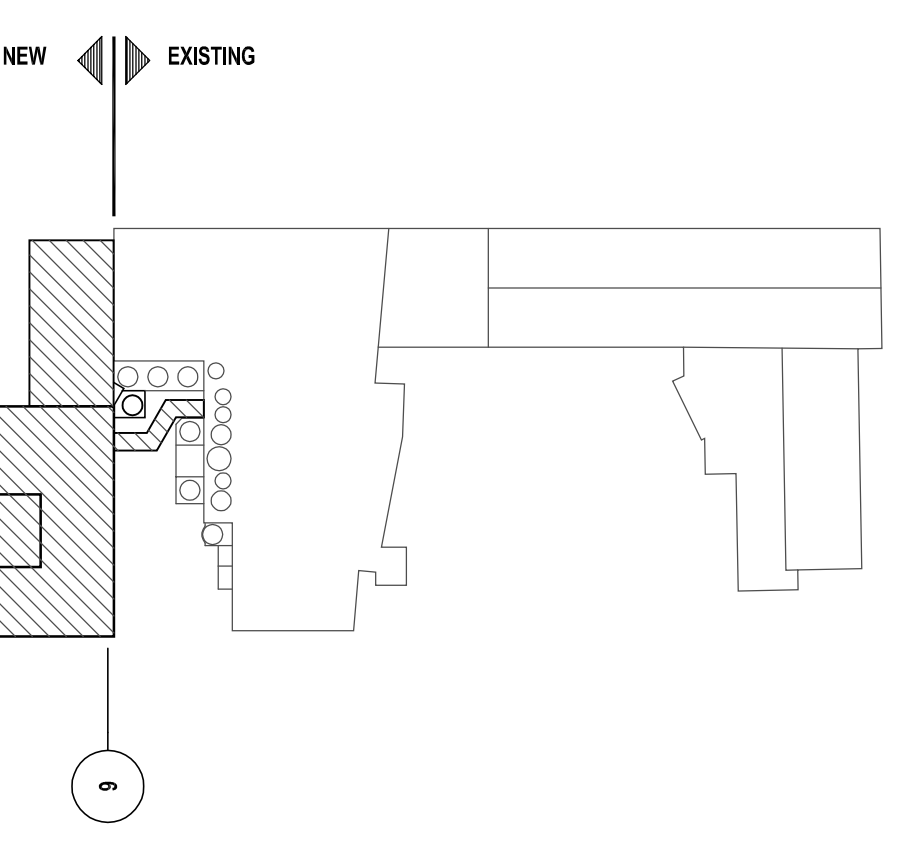
REMARKS

FAN SCHEDULE

TAG NUMBER	AREA SERVED	CFM	ESP.	RPM	BRINE	MOOD OPENING	HP	VOLTS PH	MANUFACTURER	MODEL NUMBER	REMARKS	CONTROL SEQUENCE
9F-1	ELECTRICAL ROOM	950	0.25	1,550	DIRECT	-	1/8	115 / 1	GREENHECK	SSI	6	-
ET-1	TOILET ROOM 203	150	0.30	1,050	DIRECT	-	92 W	115 / 1	FANTECH	RF-40L	-	-
ET-2 AND 3	RECEIVING BAY	3,500	0.25	900	BELT	-	3/4	208 / 3	GREENHECK	GR-180	54	-
ET-4	TOILET ROOM 102	193	0.10	1,050	DIRECT	-	92 W	115 / 1	FANTECH	RF-40L	-	-

REMARKS

1. 2 SPEED MOTOR (100%-50%)
2. 2 SPEED MOTOR (100%-60%)
3. MATCH FAN
4. KNOX FINISH
5. BRONZE SCREEN
6. BROODRAFT DAMPER
7. MOTOR OPERATED DAMPER
8. BRONZE VENT
9. INLET BRACKET (O.D.)
10. MATCH FAN



KEY PLAN

FACILITIES DESIGN

3904 Ashd Drive
Columbia, Pennsylvania 17512
Phone: (717) 285-9442
Fax: (717) 285-3102
Email: info@facilitiesdesign.com
Web: www.facilitiesdesign.com
CA NUMBER: 20020118

Architectural Engineering
Building Structural
Fire Protection
HVAC Mechanical
Interior Design
Lighting
Process Heating
Process Cooling
Process Piping
Process Water Management
Project Management
Process Safety
Process Systems
Process Ventilation
Process Water
Process Waste
Process Water Treatment
Process Water Wastewater
Process Water Wastewater Treatment
Process Water Wastewater Treatment Plant
Process Water Wastewater Treatment Plant Design
Process Water Wastewater Treatment Plant Construction

Oakhurst DAIRY

NEW MILK COOLER

384 FOREST AVENUE
PORTLAND, MAINE 04101

PROJECT NUMBER: 0167.00

DATE: MARCH 1, 2004

DRAWING TITLE: HVAC PLAN SCHEDULES AND DETAILS

DRAWING NUMBER: H200

REVISION: 0

DESIGNED BY: G.S.T.

CHECKED BY: G.S.T.

PROJECT: NEW MILK COOLER

PROJECT MANAGER: [Name]

SCALE: [Scale]

THIS DRAWING AND ALL INFORMATION CONTAINED HEREIN, REMAINS THE PROPERTY OF FACILITIES DESIGN, INC. AND IS NOT TO BE REPRODUCED OR TRANSMITTED IN ANY FORM OR BY ANY MEANS, ELECTRONIC OR MECHANICAL, INCLUDING PHOTOCOPYING, RECORDING, OR BY ANY INFORMATION STORAGE AND RETRIEVAL SYSTEM, WITHOUT THE WRITTEN PERMISSION OF FACILITIES DESIGN, INC. CONTRACTOR SHALL BE RESPONSIBLE FOR ANY DISCREPANCIES THAT MAY OCCUR BETWEEN THIS DRAWING AND THE AS-BUILT CONDITIONS. ANY DISCREPANCIES SHALL BE REPORTED TO FACILITIES DESIGN, INC. PRIOR TO CONSTRUCTION OF THE FACILITY.