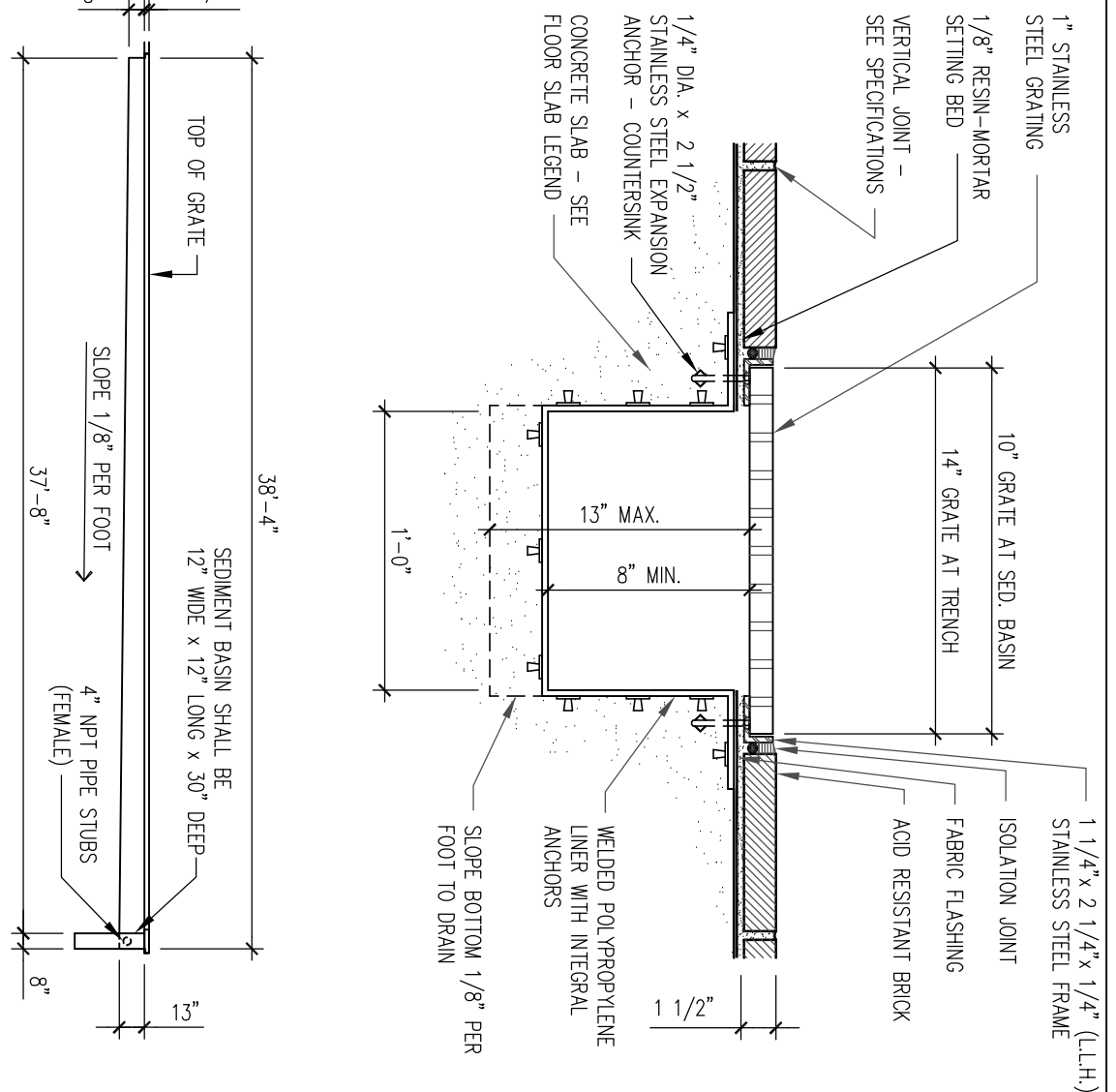
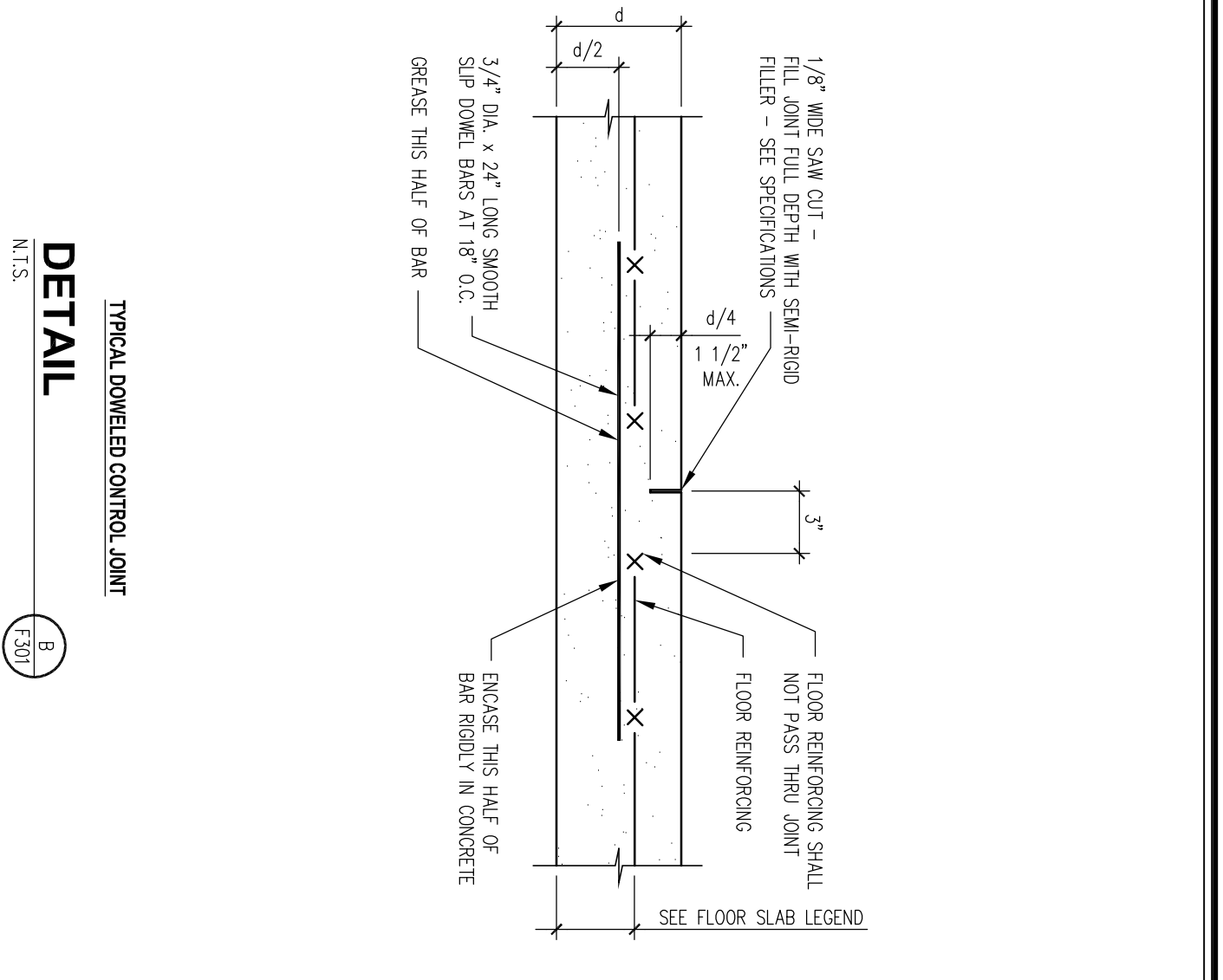


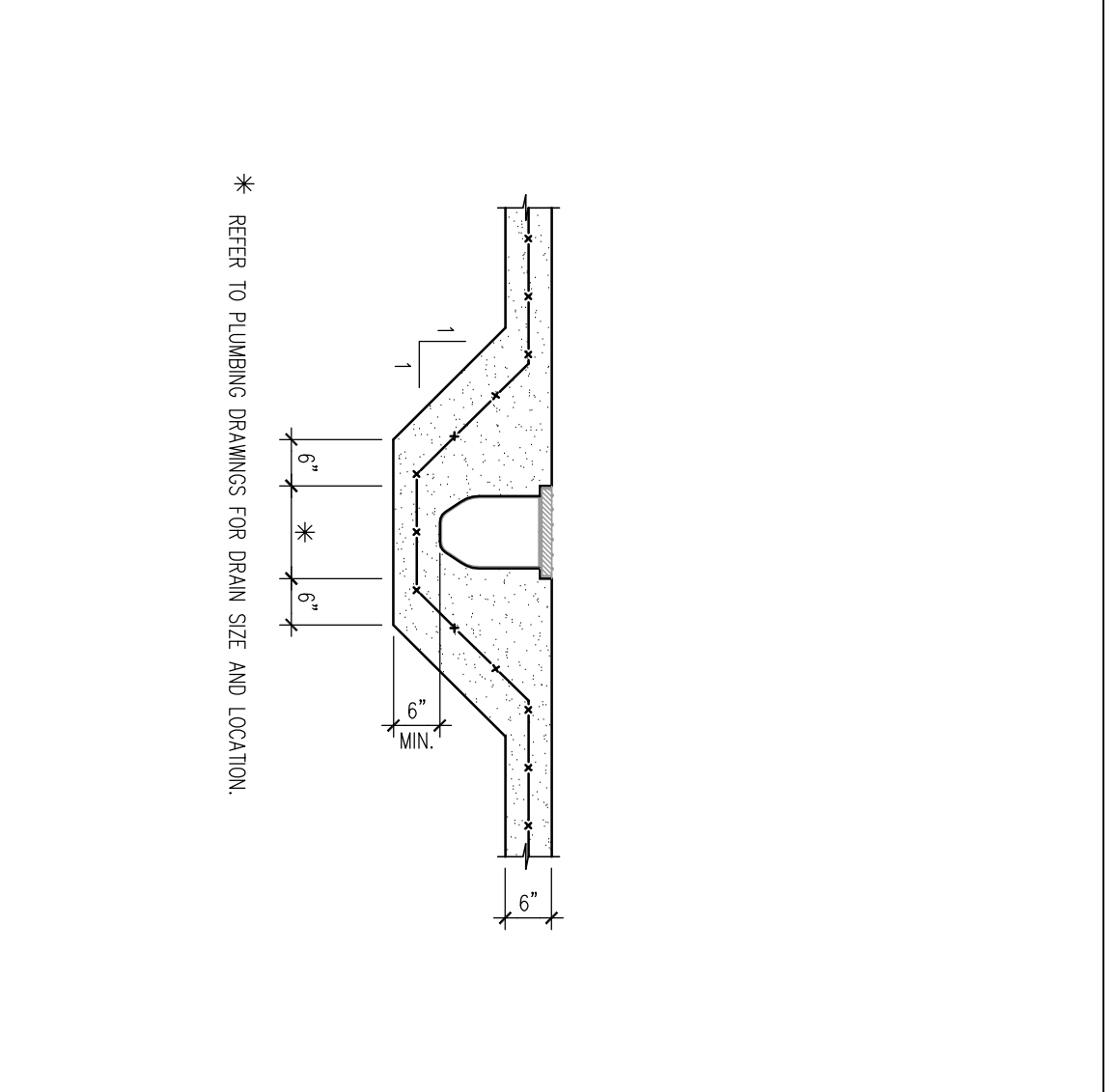
TYPICAL COLUMN ISOLATION JOINTS
DETAIL
N.B.



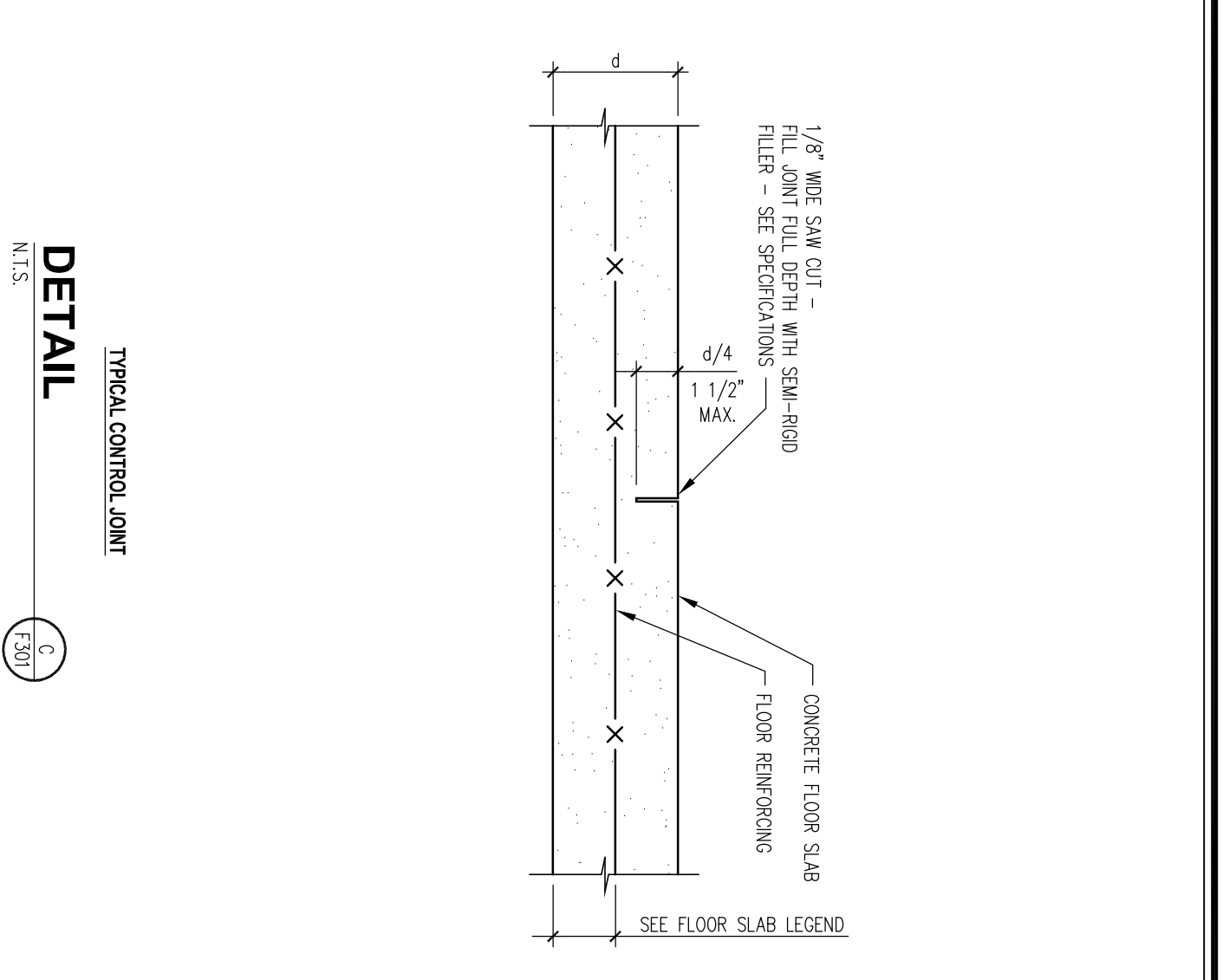
TYPICAL LOWERED CONTROL JOINT
DETAIL
N.B.



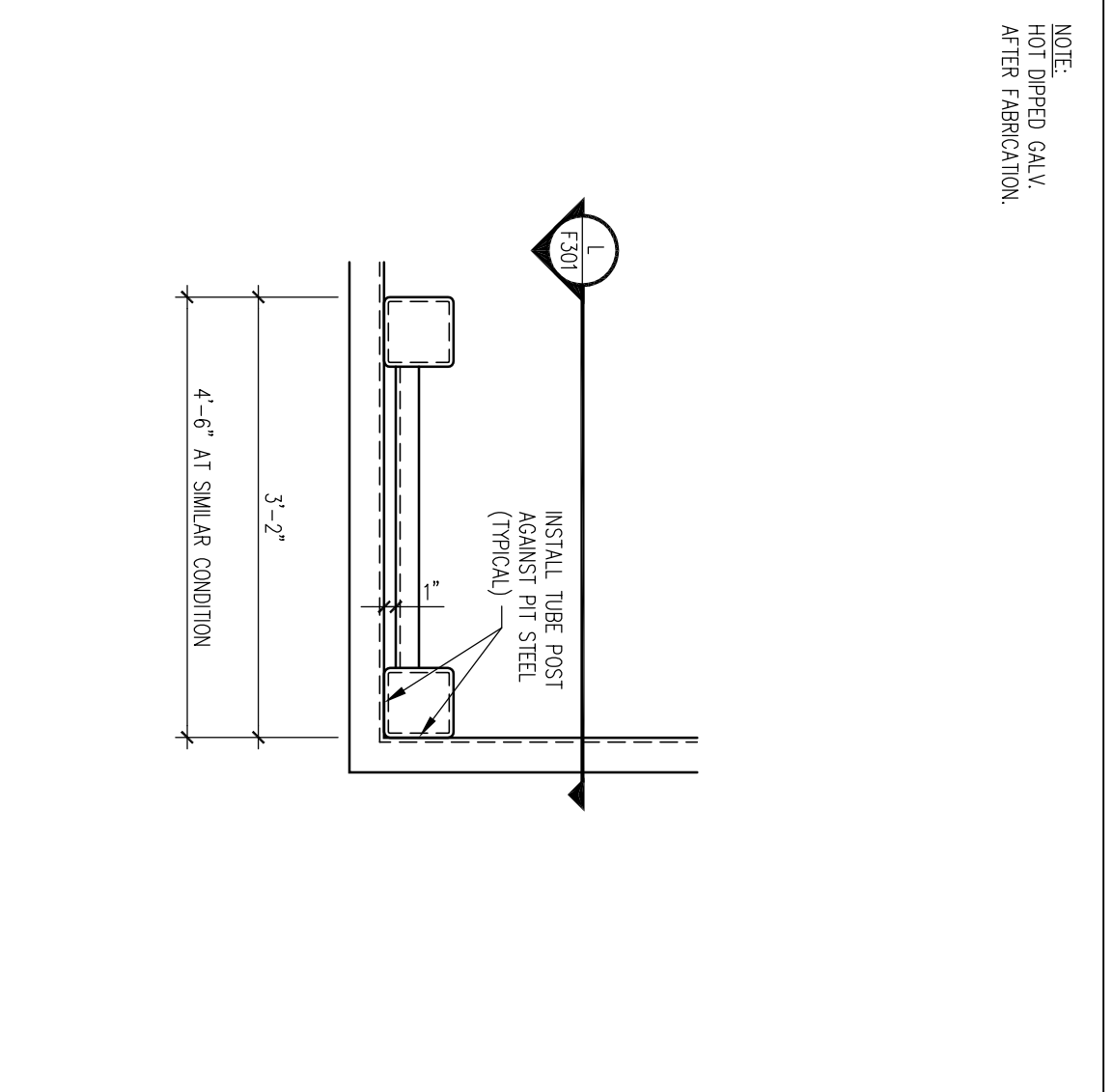
TYPICAL CONTROL JOINT
DETAIL
N.B.



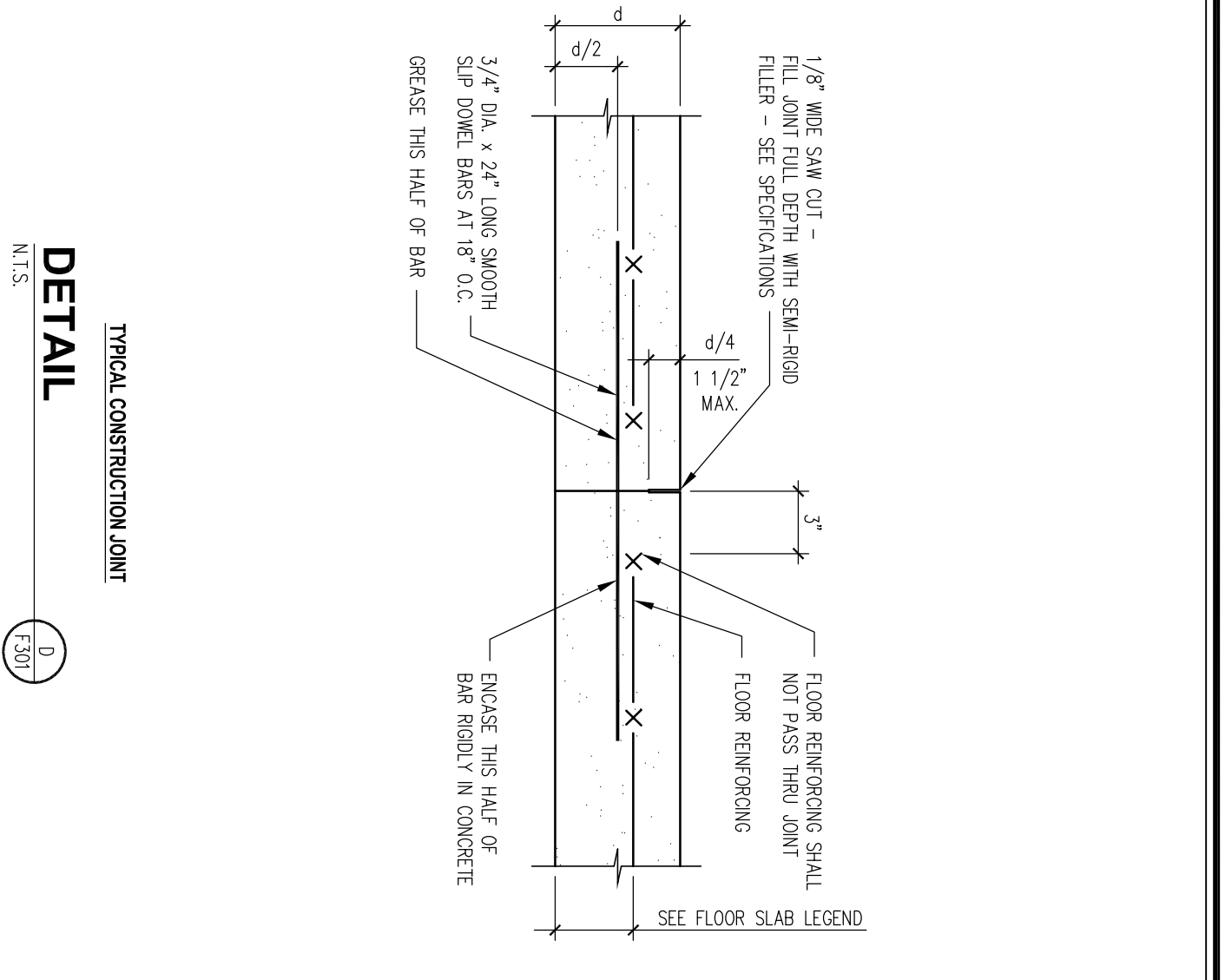
TYPICAL CONSTRUCTION JOINT
DETAIL
N.B.



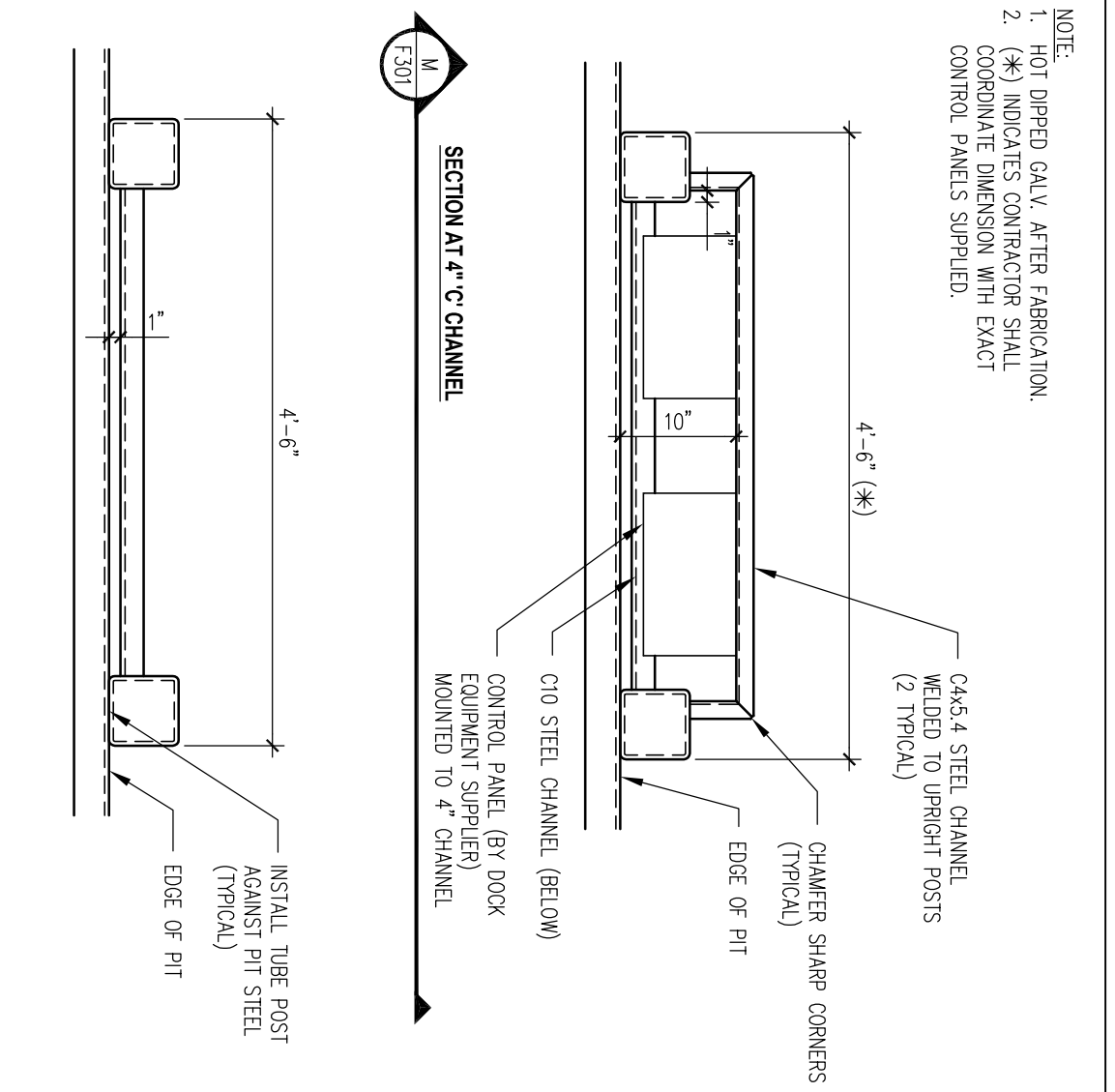
TYPICAL CONSTRUCTION JOINT
DETAIL
N.B.



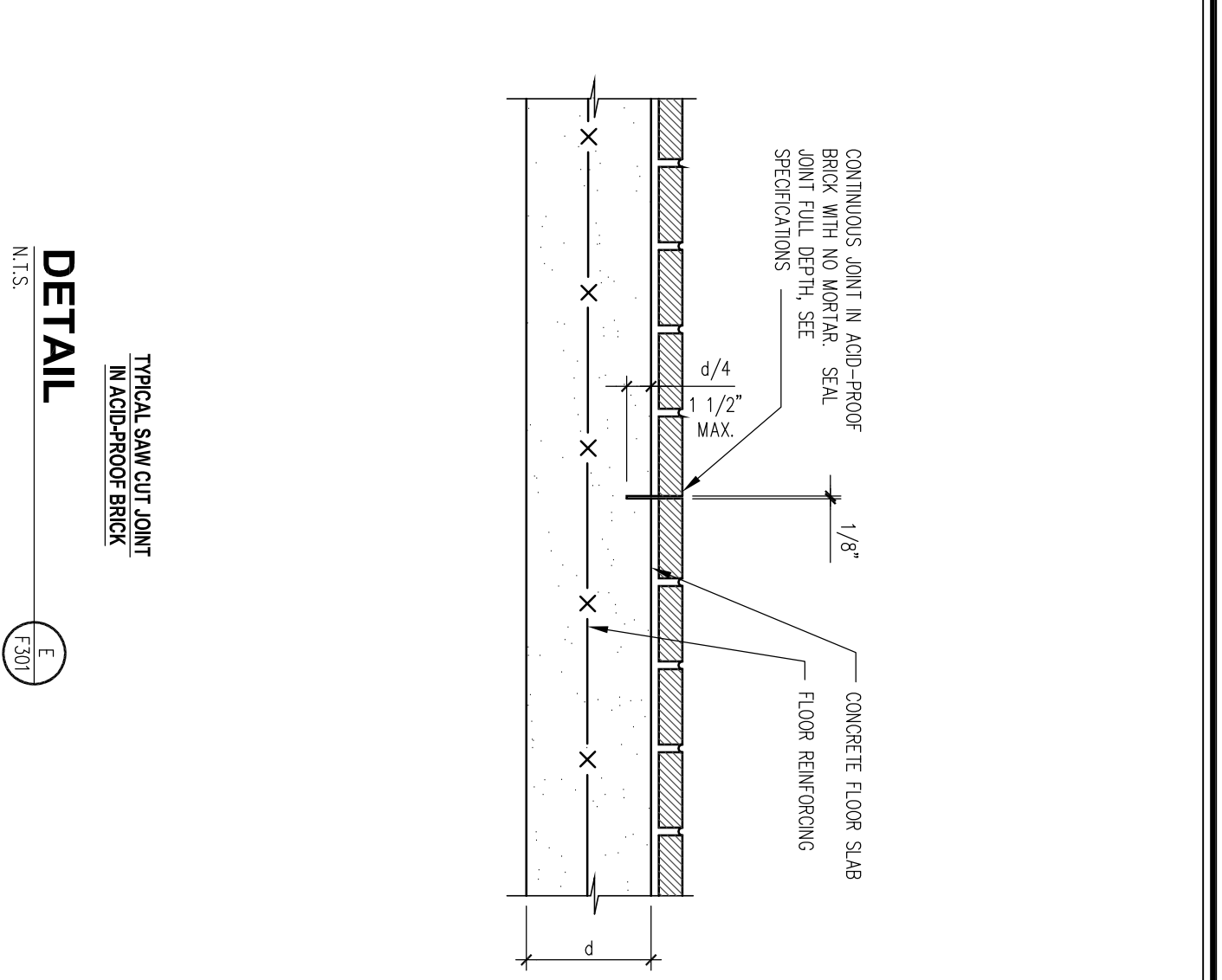
TYPICAL CONSTRUCTION JOINT
DETAIL
N.B.



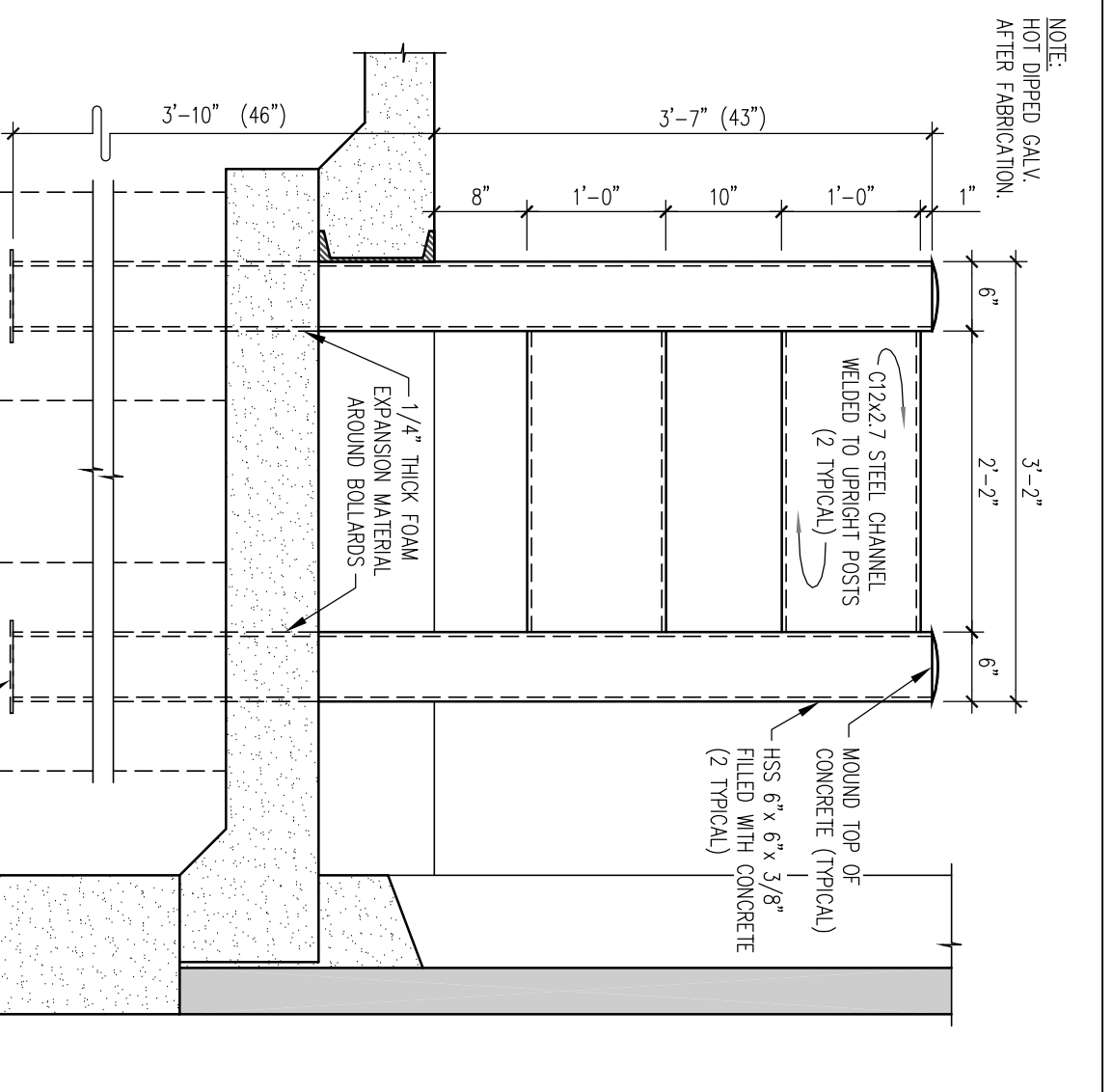
TYPICAL CONSTRUCTION JOINT
DETAIL
N.B.



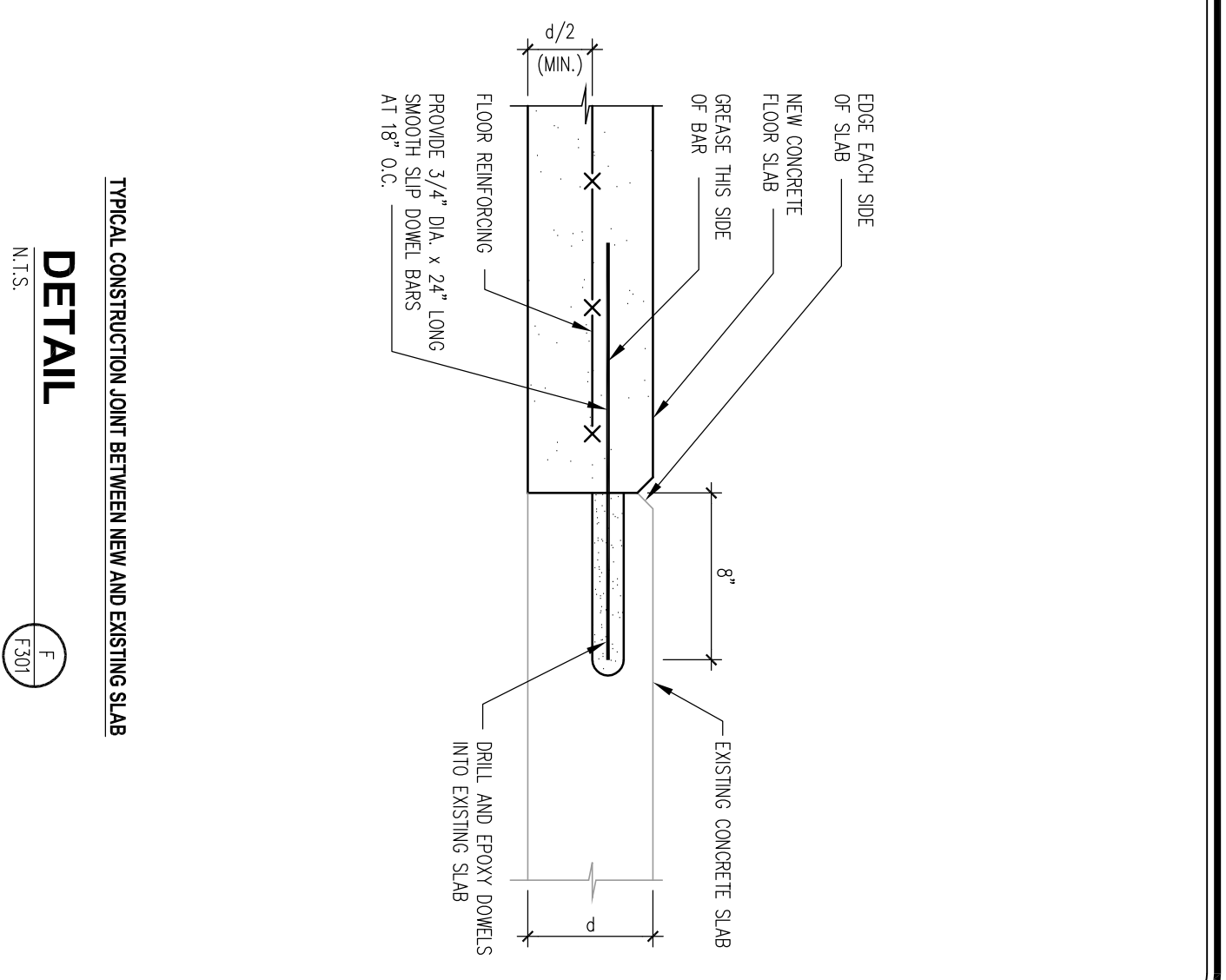
TYPICAL CONSTRUCTION JOINT
DETAIL
N.B.



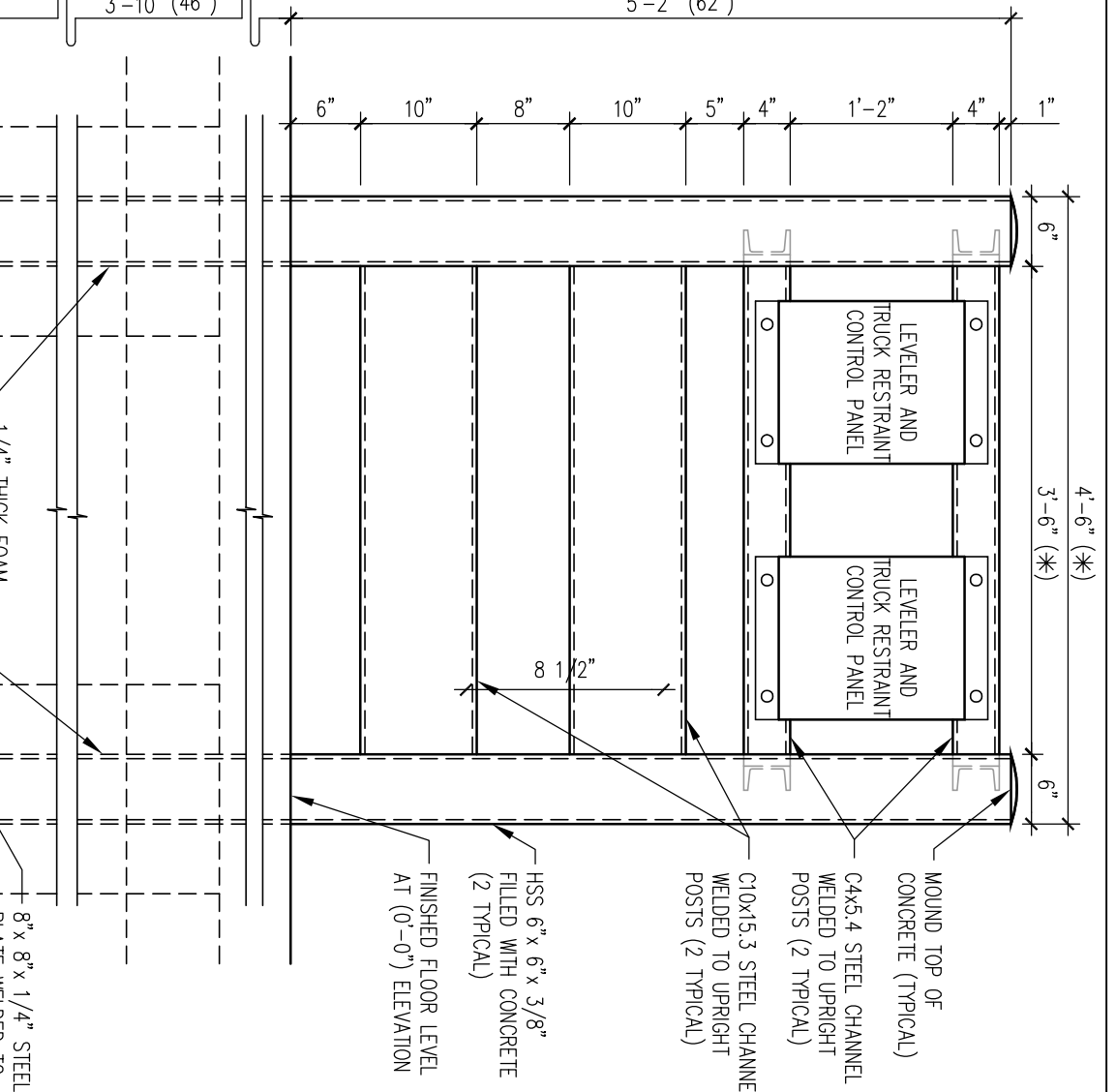
TYPICAL SAW CUT JOINT IN CORRIDOR BRICK
DETAIL
N.B.



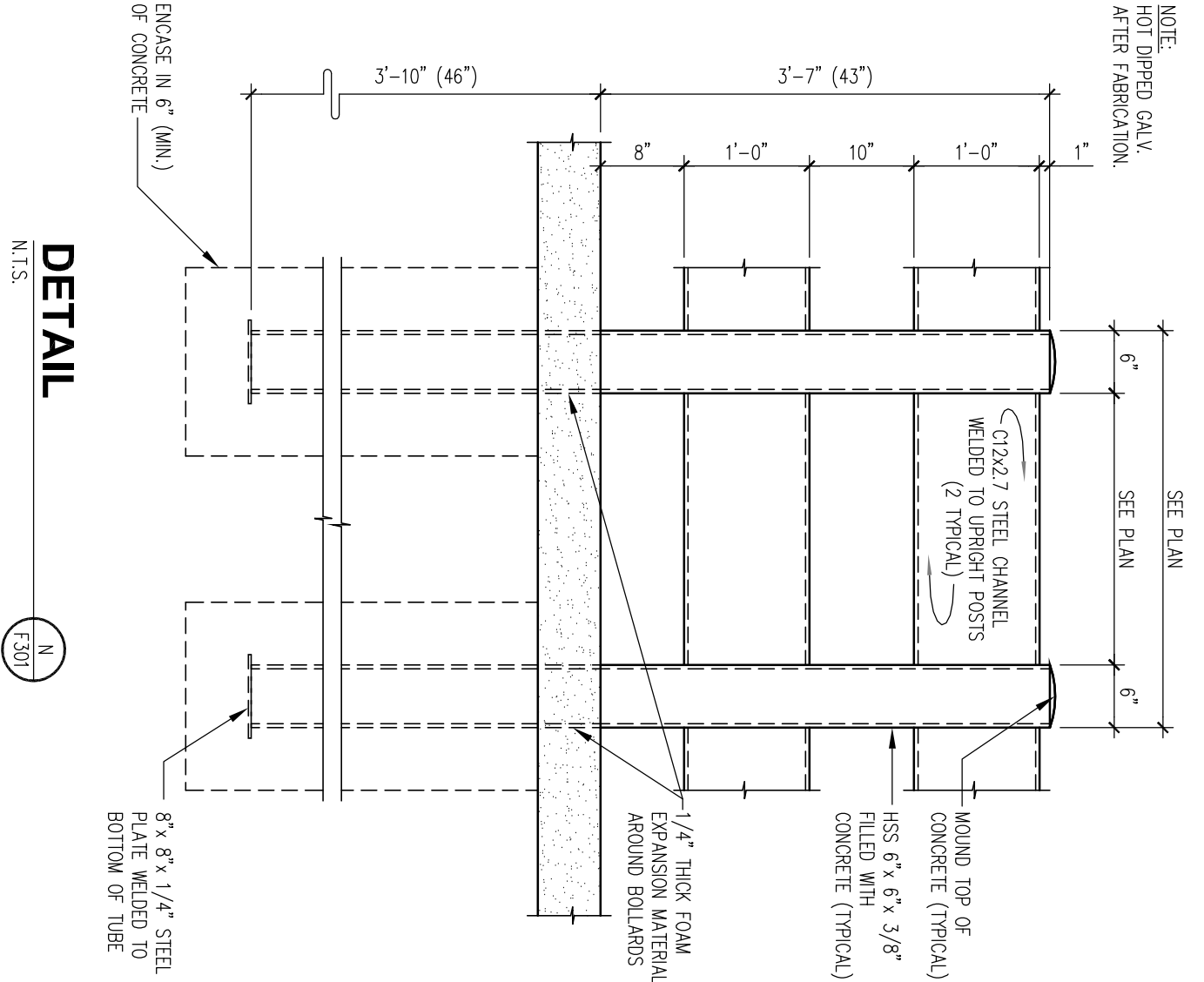
TYPICAL SAW CUT JOINT IN CORRIDOR BRICK
DETAIL
N.B.



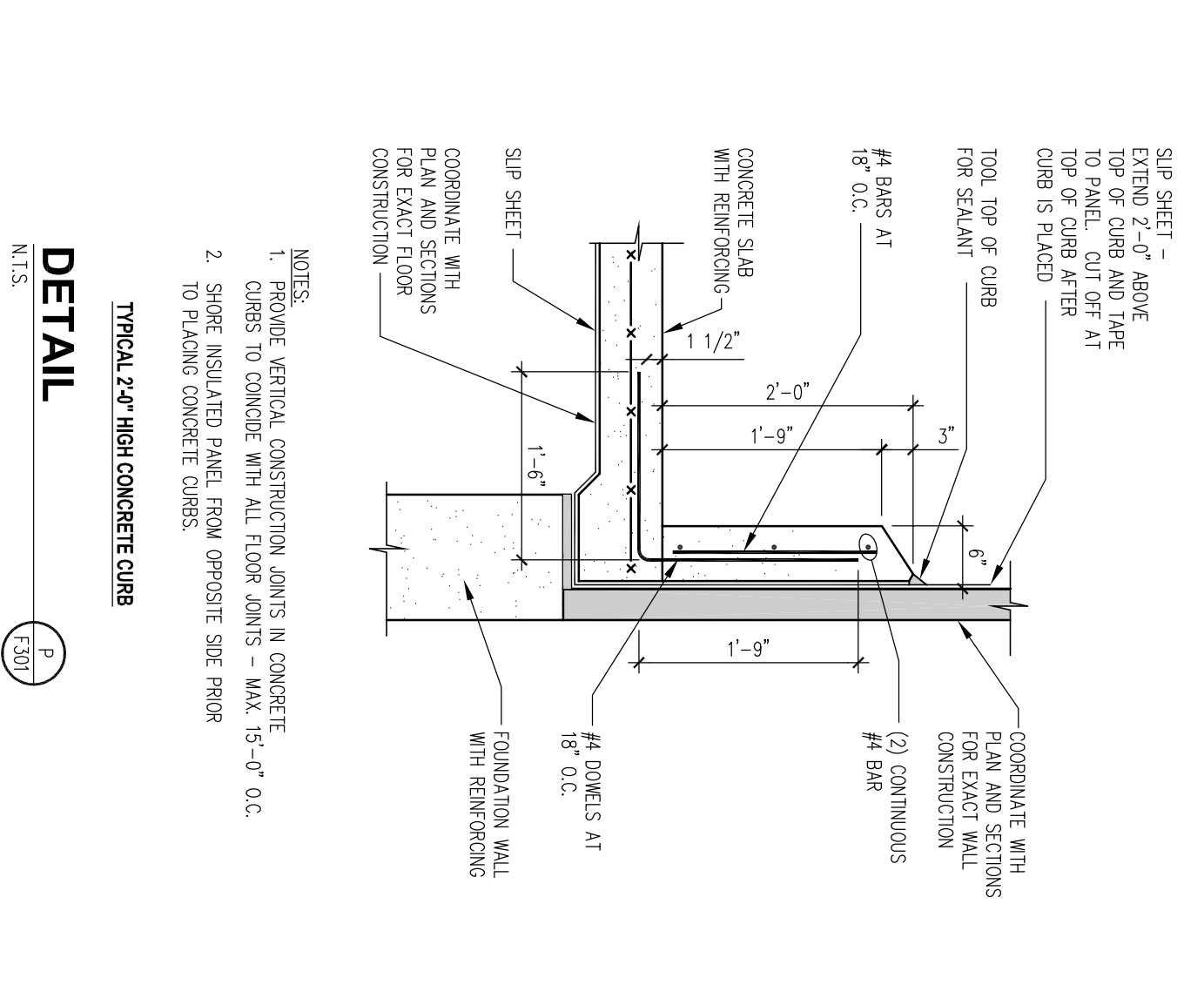
TYPICAL CONSTRUCTION JOINT BETWEEN NEW AND EXISTING SLAB
DETAIL
N.B.



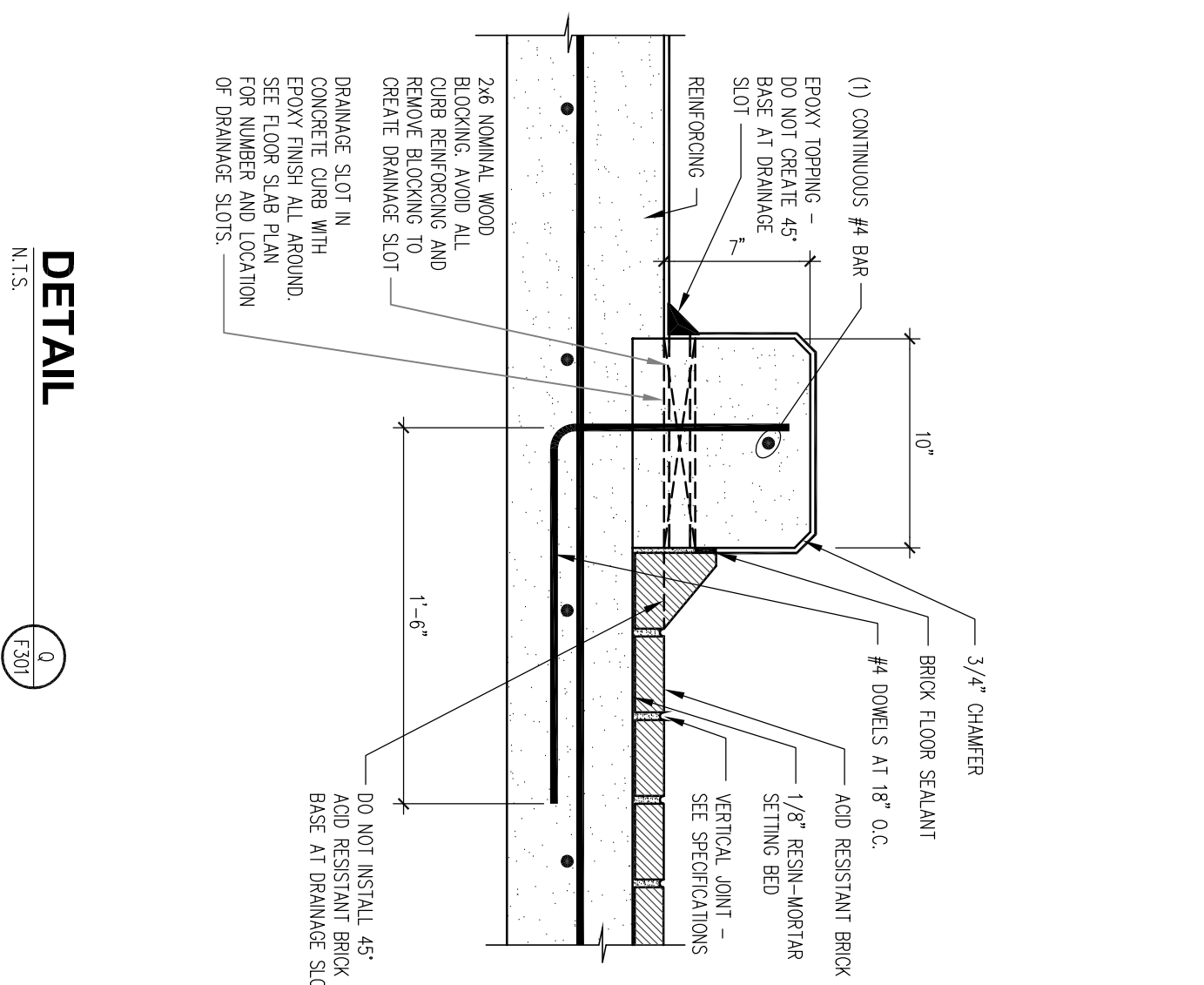
TYPICAL CONSTRUCTION JOINT BETWEEN NEW AND EXISTING SLAB
DETAIL
N.B.



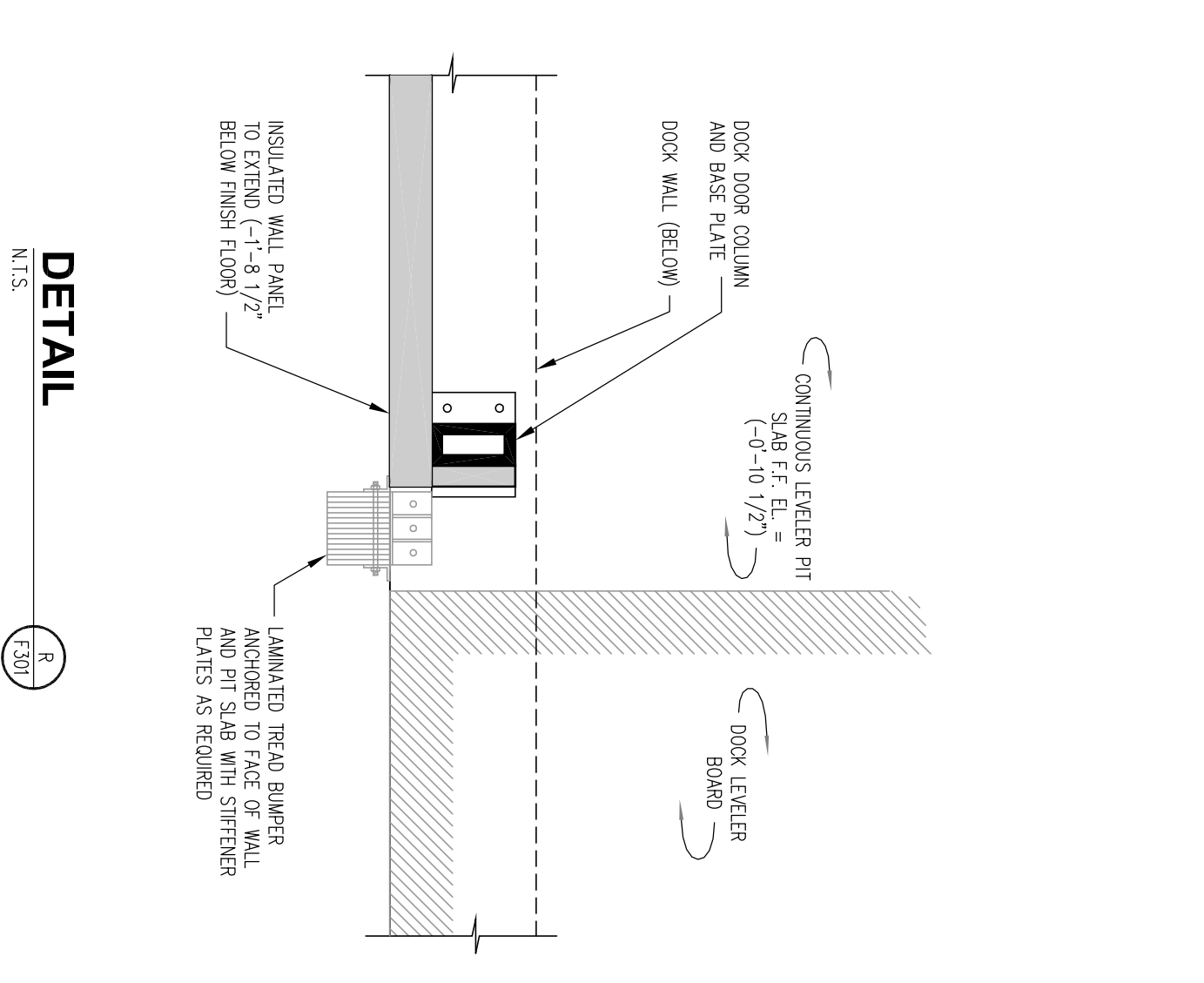
DETAIL
N.B.



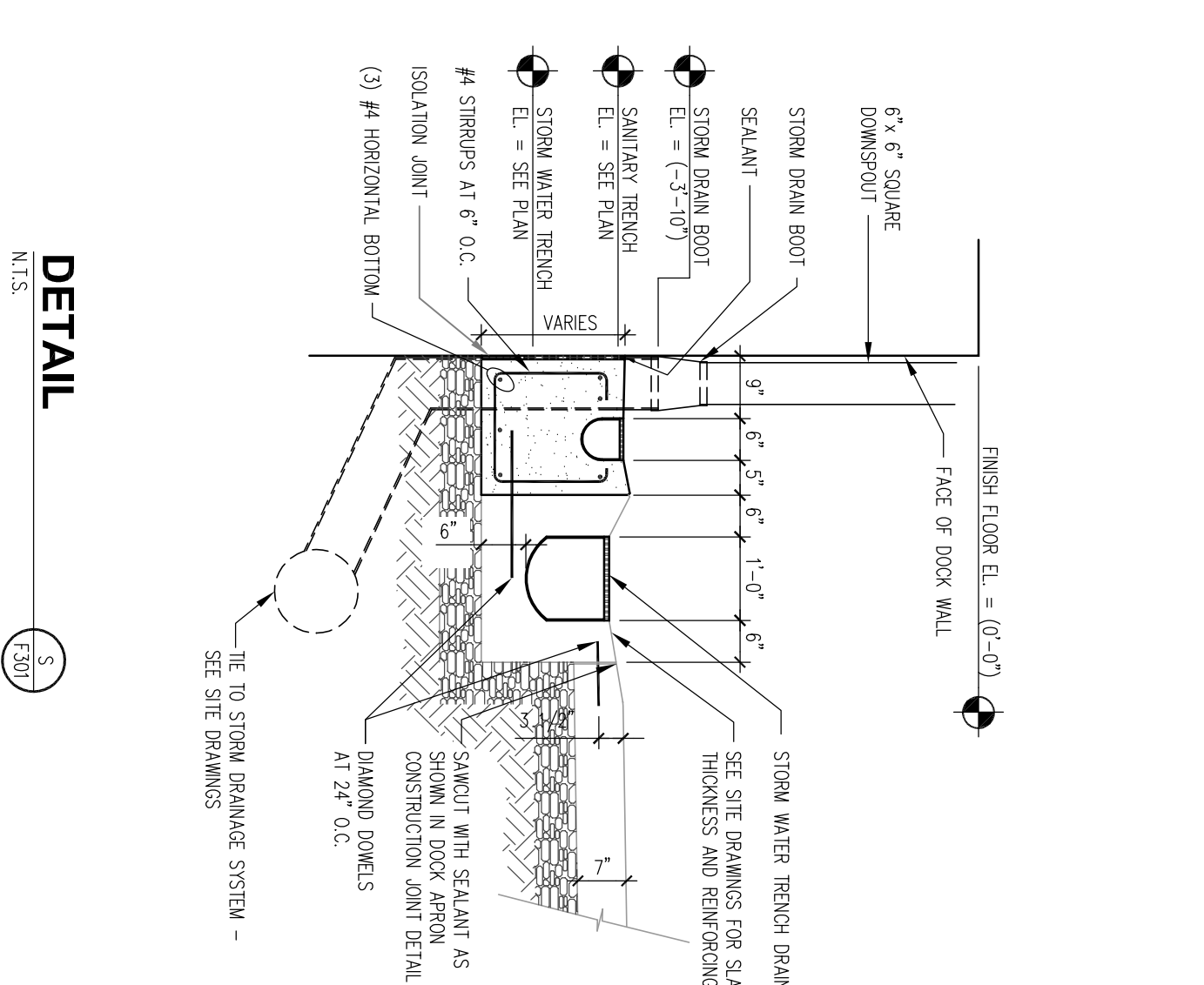
DETAIL
N.B.



DETAIL
N.B.



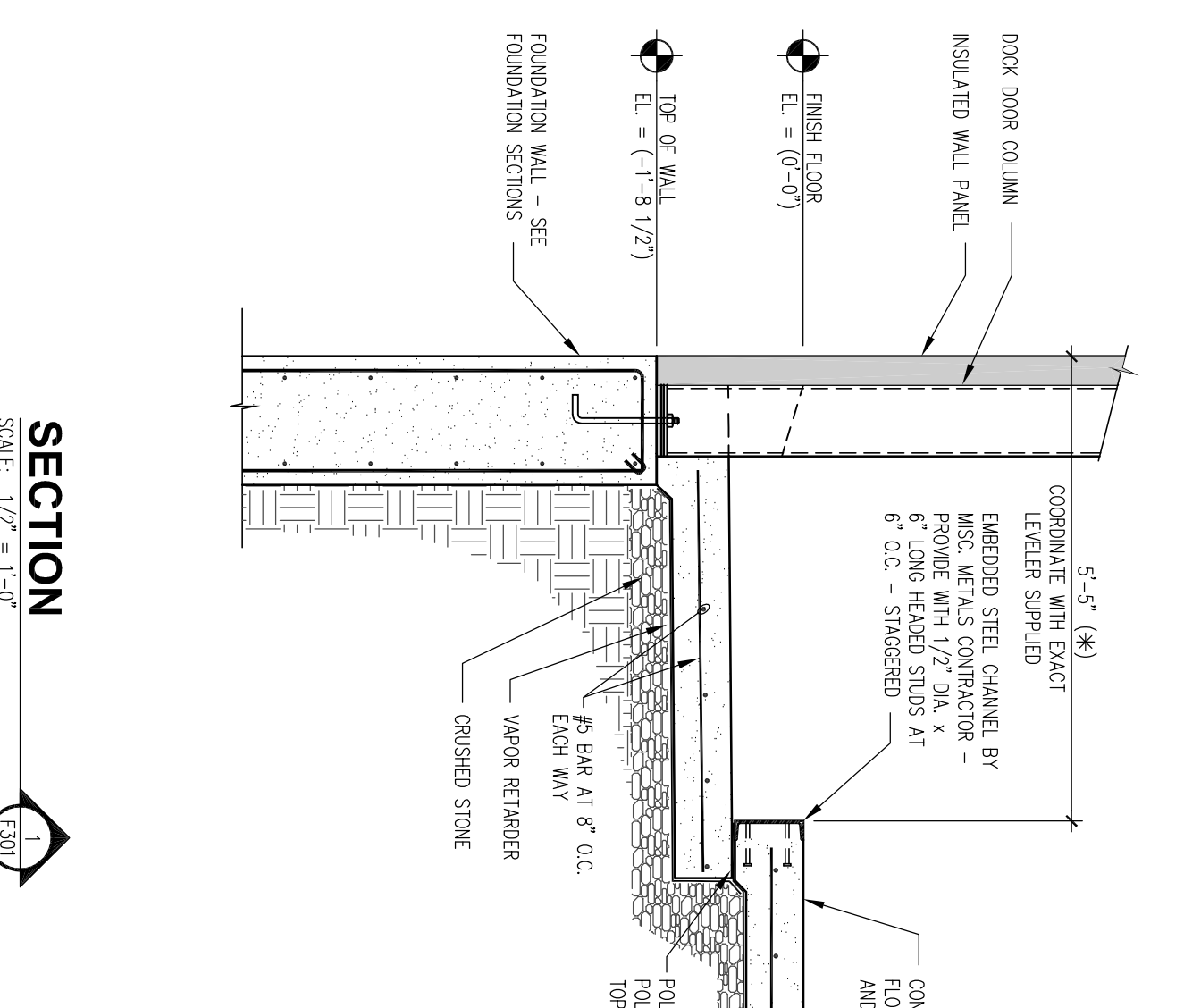
DETAIL
N.B.



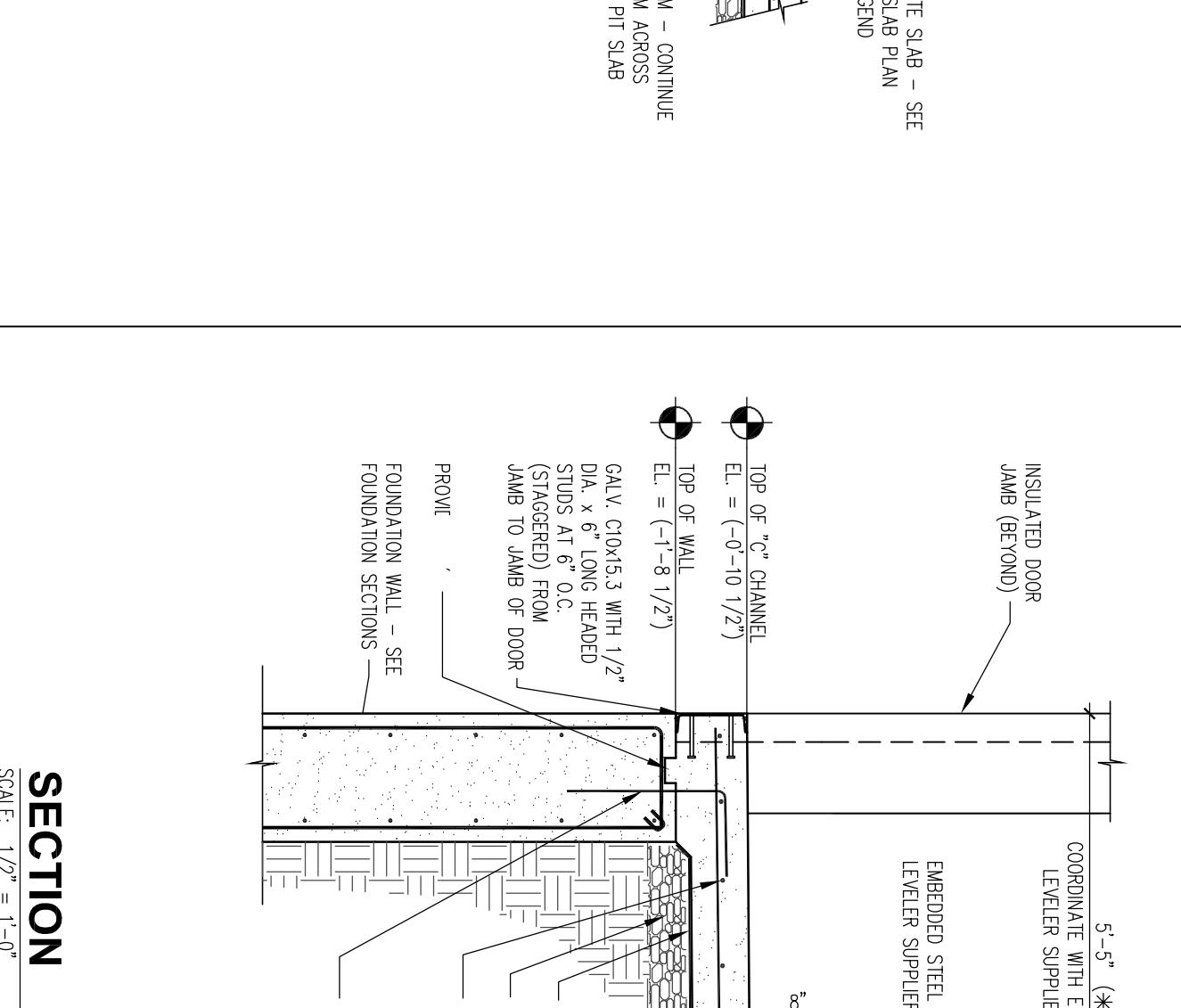
DETAIL
N.B.



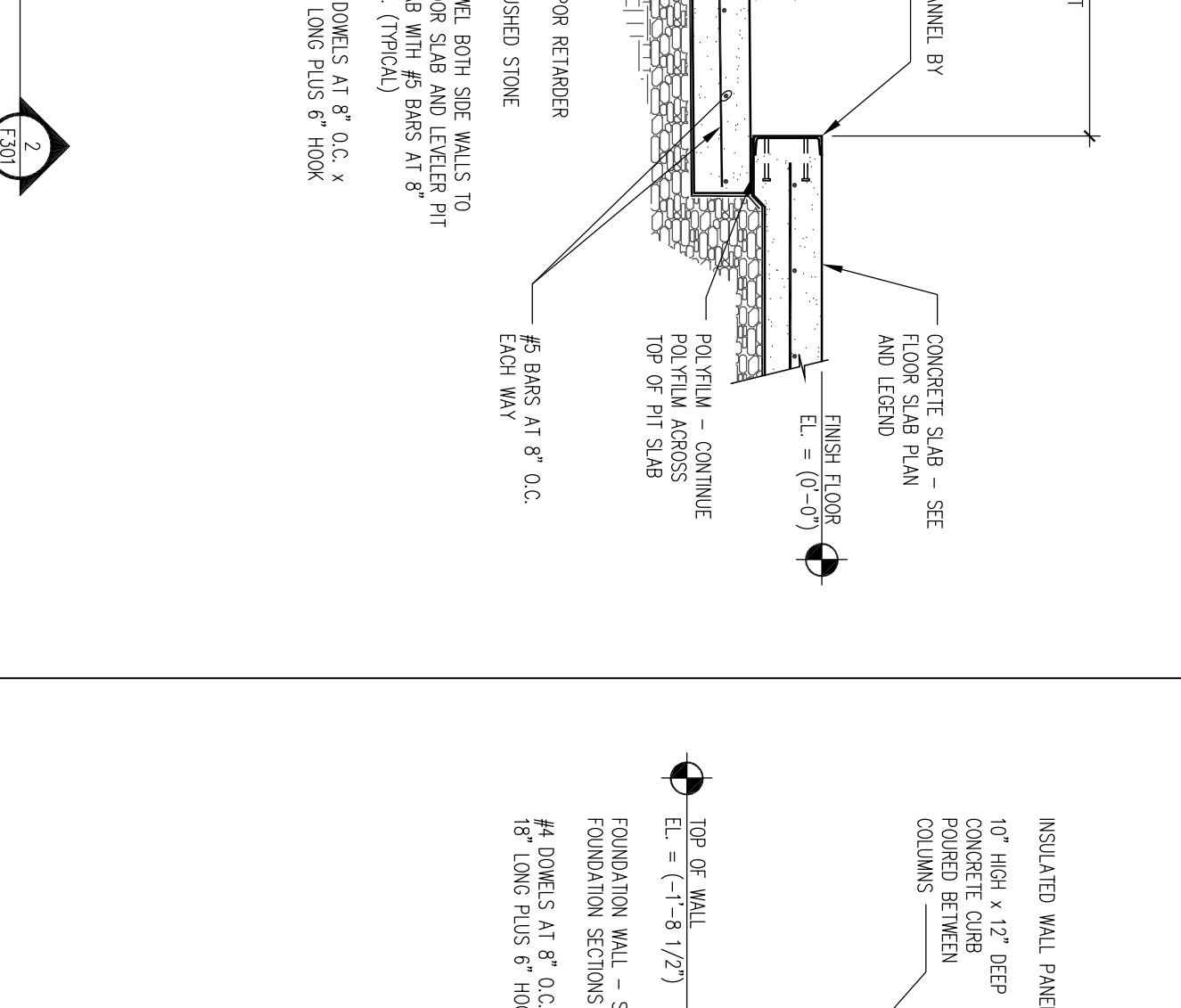
DETAIL
N.B.



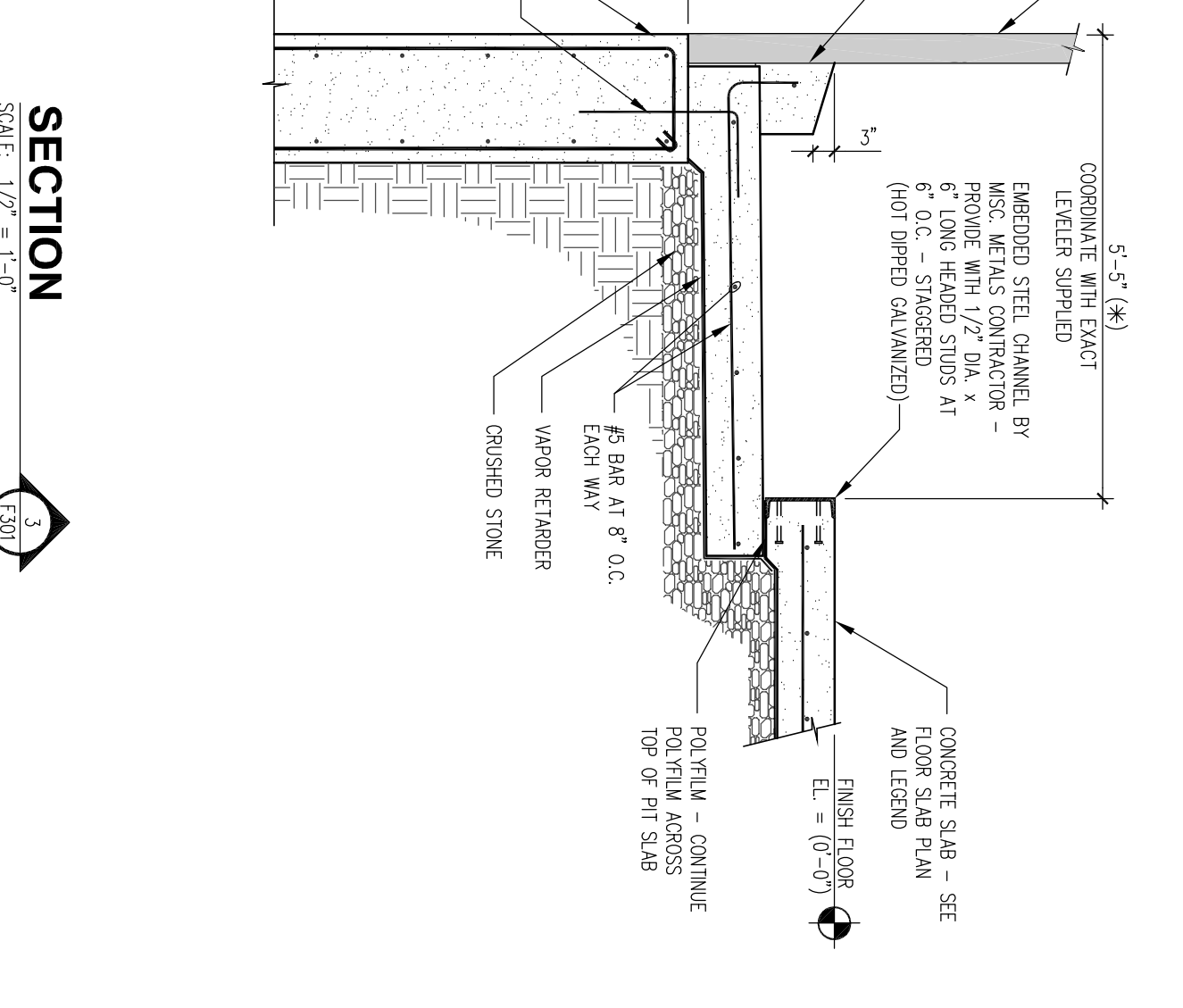
SECTION
SCALE: 1/8\"/>



SECTION
SCALE: 1/8\"/>



SECTION
SCALE: 1/8\"/>



SECTION
SCALE: 1/8\"/>



SECTION
SCALE: 1/8\"/>



SECTION
SCALE: 1/8\"/>

FACILITIES DESIGN
3904 Ashd Drive
Columbia, Pennsylvania 17512
Phone: (717) 285-9442
Fax: (717) 285-3102
Email: info@facilitiesdesign.com
Web: www.facilitiesdesign.com
CA Number: 2002018

Engineering Design Services
Architectural Engineering
Building Design
Foundation Design
Fire Protection
Interior Design
Mechanical Engineering
Process Design
Structural Engineering
Thermal Analysis
Transportation
Water Resources
Project Services
Project Management
Project Planning
Project Scheduling
Project Cost Estimation
Project Risk Management
Project Quality Management
Project Safety Management
Project Security Management

REVISIONS	ISSUED FOR RECORD
0	3-1-04

THIS DRAWING AND ALL INFORMATION CONTAINED HEREIN, REMAINS THE PROPERTY OF FACILITIES DESIGN, INC. AND IS NOT TO BE REPRODUCED OR TRANSMITTED IN ANY FORM OR BY ANY MEANS, WITHOUT THE WRITTEN PERMISSION OF FACILITIES DESIGN, INC. ANY UNAUTHORIZED REPRODUCTION OR TRANSMISSION OF THIS DRAWING IS STRICTLY PROHIBITED. CONTRACTOR SHALL BE RESPONSIBLE FOR OBTAINING ALL NECESSARY PERMITS AND APPROVALS FROM THE APPROPRIATE AGENCIES. ANY DISCREPANCIES SHALL BE REPORTED TO FACILITIES DESIGN, INC. IMMEDIATELY UPON DISCOVERY.

Oakhurst DAIRY
NEW MILK COOLER
384 FOREST AVENUE
PORTLAND, MAINE 04101
PROJECT NUMBER: 0167.00
DATE: MARCH 1, 2004
DRAWING TITLE: FLOOR SLAB DETAILS
DRAWING NUMBER: F301
REVISION: 0