

GENERAL DOOR SCHEDULE

Table with columns: NO., DOOR, W.A./H.T./THK., TYPE, MTL., FIN., GLAZING, SCHEDULE, FRAME, HEAD, JAMB, SILL, GUARD, SET, HIGHER, LOWER, OPERATION, ACQUISITION, RATIO, ASSEMBLY, TO, USIA, STANDARDS, REMARKS.

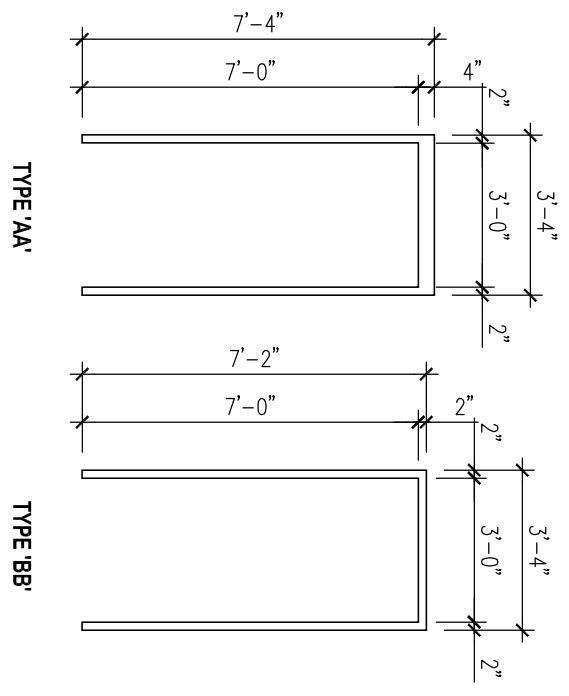
FINISH LEGEND

Table listing material codes and their corresponding finish descriptions for the general door schedule.

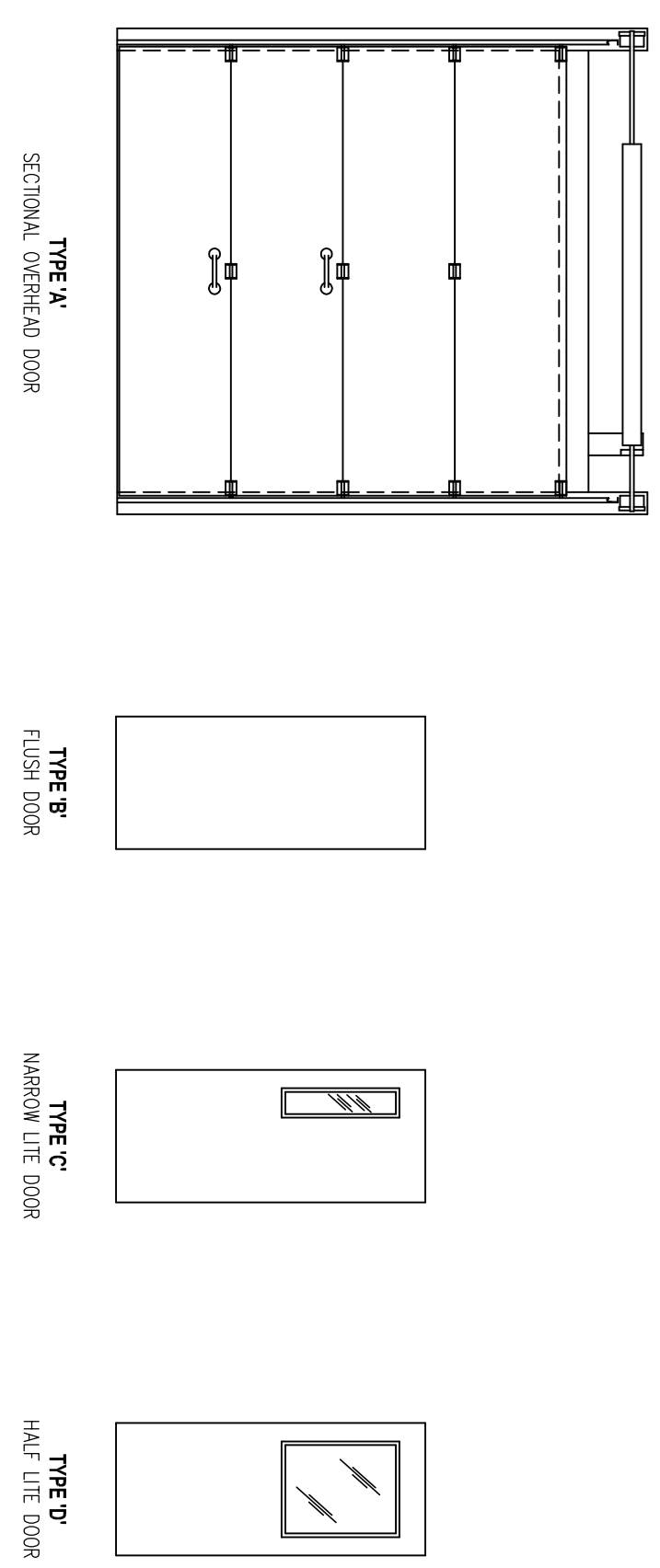
GENERAL DOOR NOTES

- 1. PROVIDE SPEC. CAP. FOR DETAIL V. 8/20/00.
2. REFER TO EXISTING FLOOR ELEVATION AND REFER INFORMATION TO DIMENSION.
3. SET DOOR HARDWARE SET NUMBER IN SPECIFICATION SECTION 0811.
4. SET DOOR HARDWARE SET NUMBER IN SPECIFICATION SECTION 0811.

GENERAL DOOR FRAME TYPES



GENERAL DOOR TYPES



COLD STORAGE DOOR SCHEDULE

Table with columns: NO., DOOR, W.A./H.T./THK., TYPE, MTL., FIN., GLAZING, SCHEDULE, FRAME, HEAD, JAMB, SILL, GUARD, SET, HIGHER, LOWER, OPERATION, ACQUISITION, RATIO, ASSEMBLY, TO, USIA, STANDARDS, REMARKS.

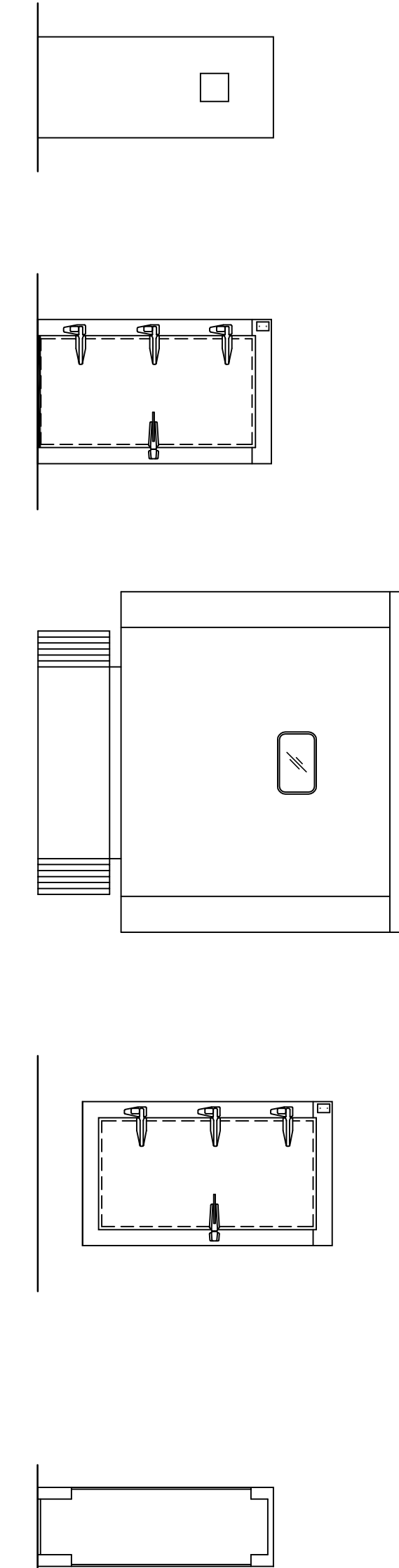
FINISH LEGEND

Table listing material codes and their corresponding finish descriptions for the cold storage door schedule.

COLD STORAGE DOOR NOTES

- 1. SET DOOR HARDWARE SET NUMBER IN SPECIFICATION SECTION 0811.
2. REFER TO EXISTING FLOOR ELEVATION AND REFER INFORMATION TO DIMENSION.
3. SET DOOR HARDWARE SET NUMBER IN SPECIFICATION SECTION 1004.
4. SET DOOR HARDWARE SET NUMBER IN SPECIFICATION SECTION 1004.
5. SET DOOR HARDWARE SET NUMBER IN SPECIFICATION SECTION 1004.
6. OPERATIONAL DOOR SIZE WITH CONCRETE MANUFACTURER PRIOR TO MANUFACTURING DOOR.

COLD STORAGE DOOR TYPES



ROOM FINISH SCHEDULE

Table with columns: NO., ROOM NAME, BASE, FLOOR, WALLS, CEILING, CEILING HEIGHT, TO, USIA, STANDARDS, REMARKS.

ROOM FINISH LEGEND

Table listing material codes and their corresponding finish descriptions for the room finish schedule.

ROOM FINISH NOTES

- 1. PROVIDE EXACT TYPE ES-1.
2. REFER TO ROOM FINISH NOTE NO. 2.
3. REFER TO ROOM FINISH NOTE NO. 2.
4. REFER TO ROOM FINISH NOTE NO. 2.
5. REFER TO ROOM FINISH NOTE NO. 2.
6. REFER TO ROOM FINISH NOTE NO. 2.
7. REFER TO ROOM FINISH NOTE NO. 2.
8. REFER TO ROOM FINISH NOTE NO. 2.
9. REFER TO ROOM FINISH NOTE NO. 2.
10. REFER TO ROOM FINISH NOTE NO. 2.

WINDOW / LOUVER AND OPENING SCHEDULE

Table with columns: MARK, WIDTH x HEIGHT, TYPE, UNIFORM, FINISH, TYPE, MTL., FIN., GLAZING, SCHEDULE, HEAD, JAMB, SILL, GUARD, SET, HIGHER, LOWER, OPERATION, ACQUISITION, RATIO, ASSEMBLY, TO, USIA, STANDARDS, REMARKS.

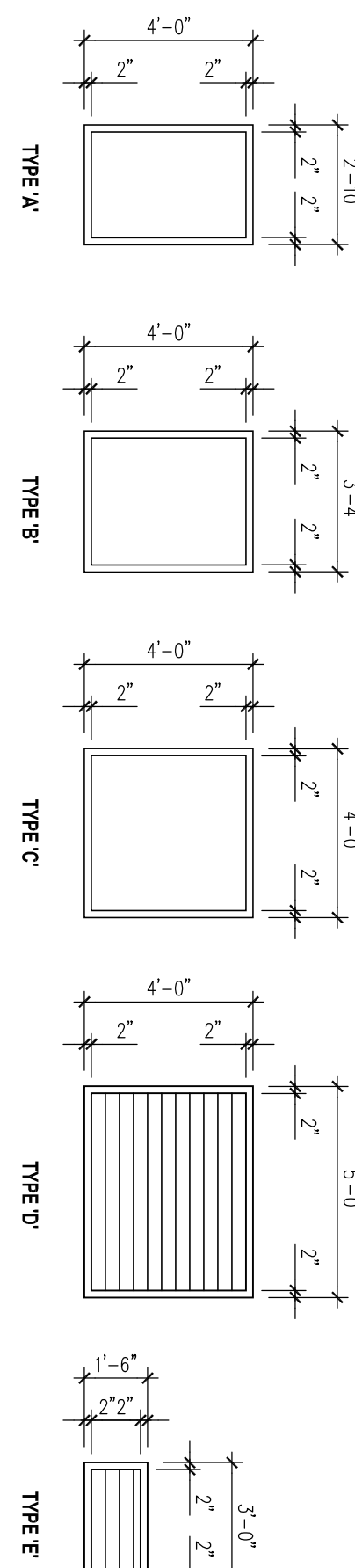
MATERIAL LEGEND

Table listing material codes and their corresponding descriptions for the window and louver schedule.

WINDOW NOTES

- 1. CORRELATE EXACT OPENING SIZE AND HEAD.
2. SET DETAIL R, T, AND U FOR HEAD AND SILL.
3. HEIGHT WITH CONVEYOR MANUFACTURER.

WINDOW AND LOUVER TYPES



FACILITIES DESIGN

FACILITIES DESIGN
3504 Abel Drive
Columbiana, Pennsylvania 17512
Phone: (717) 282-3142
Email: info@facilitiesdesign.com
Web: www.facilitiesdesign.com

Engineering Design Services
Architectural Engineering
Structural Engineering
Interior Design
Civil Engineering
Mechanical Engineering
Electrical Engineering
Plumbing Engineering
HVAC Engineering
Fire Protection Engineering
Energy Engineering
Environmental Engineering
Geotechnical Engineering
Landmarks Engineering
Construction Management
Project Services

This drawing and all information contained herein remain the property of FACILITIES DESIGN, INC. All rights are expressly reserved in whole or in part without the express written consent of FACILITIES DESIGN, INC.
Do not scale drawings. Contractor shall verify all dimensions and conditions prior to construction.
PROJECT NUMBER: 0167.00
REVISIONS:
0 3-01-04 ISSUED FOR BID

NEW MILK COOLER
DAIRY
364 FOREST AVENUE
PORTLAND, MAINE 04101
PROJECT NUMBER: 0167.00
DATE: MARCH 1, 2004
DRAWING TITLE: SCHEDULES SHEET AND WINDOW DETAILS
DRAWING NUMBER: B600
REVISION: 0