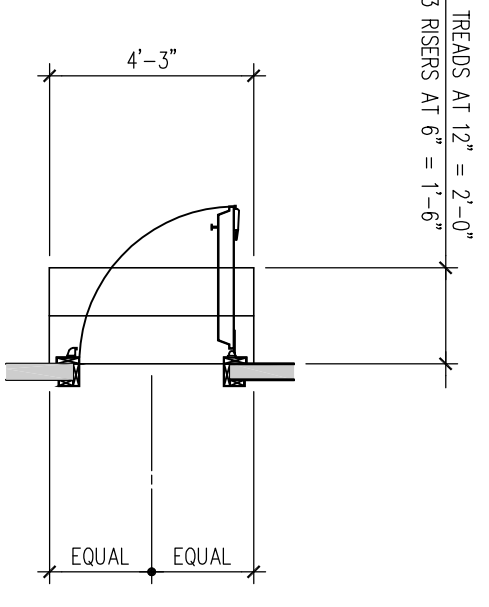
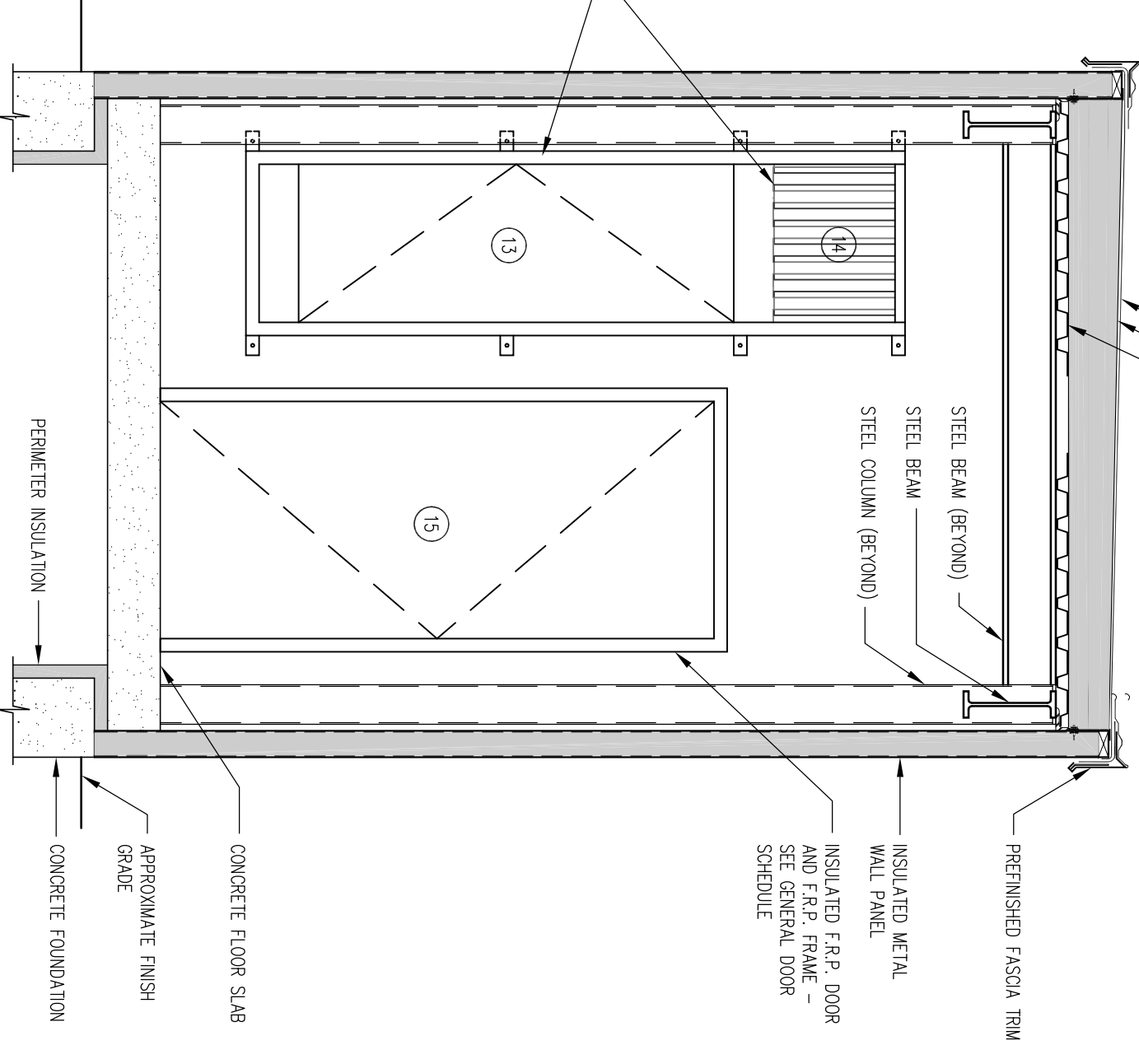


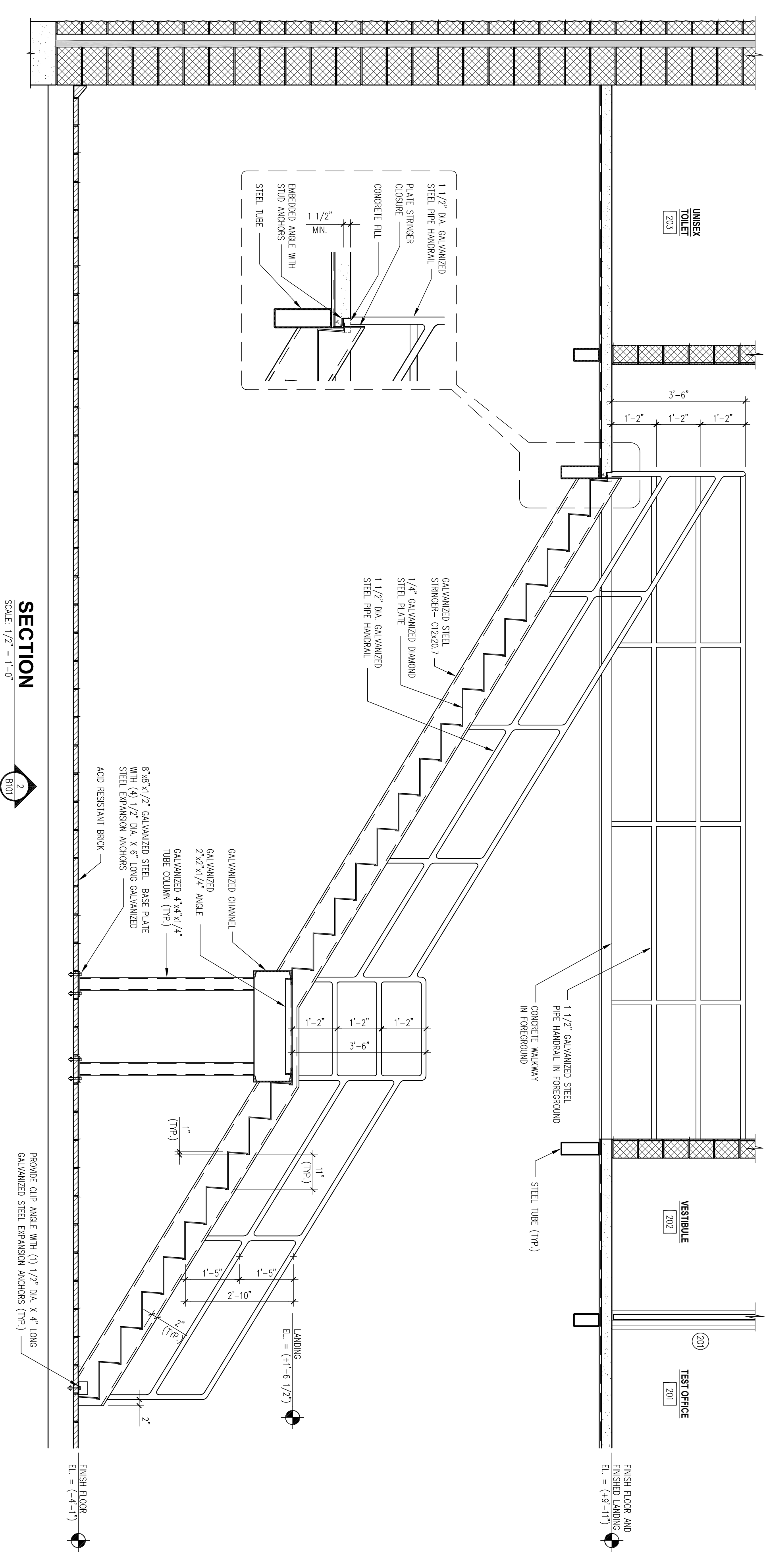
**ENLARGED STAIR PLAN**  
SCALE: 1/4" = 1'-0"



**SECTION**  
SCALE: 1/2" = 1'-0"



**SECTION**  
SCALE: 1/2" = 1'-0"



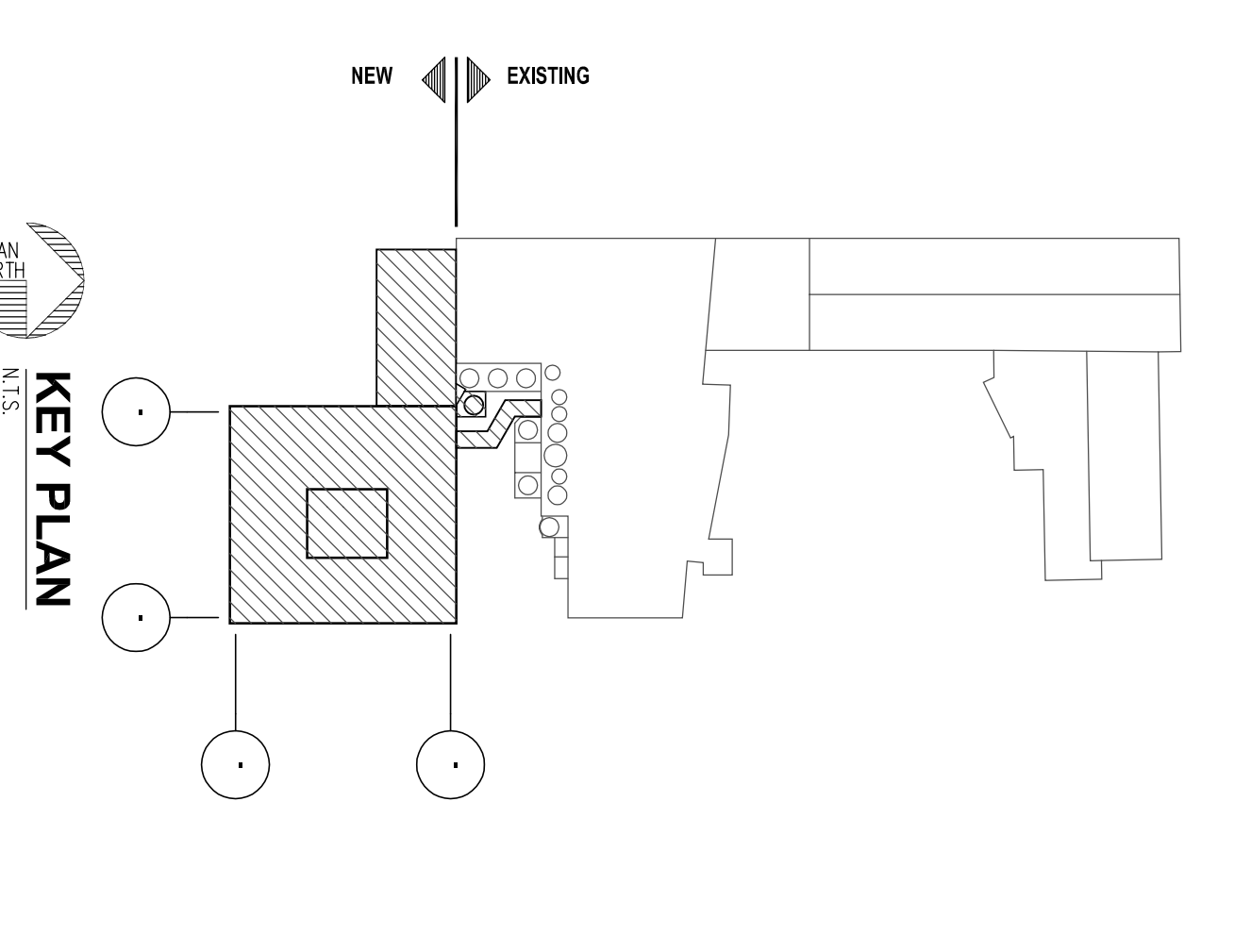
**WALL TYPE LEGEND**  
ALL WALLS EXCEPT TOILETS OR REINFORCED CONCRETE WALLS TO BE CONSTRUCTED AS FOLLOWS:

	4" INSULATED WALL PANEL TO ROOF
	4" INSULATED WALL PANEL TO ROOF WITH PRECAST CONCRETE WALL PANEL (SEE BUILDING ELEVATIONS)
	12" GLAZED MASONRY UNIT WALL TO BOTTOM OF CONCRETE FLANK
	4" INSULATED WALL PANEL TO ROOF WITH PRECAST CONCRETE WALL PANEL (SEE BUILDING ELEVATIONS)
	12" GLAZED MASONRY UNIT WALL TO BOTTOM OF CONCRETE FLANK
	4" INSULATED WALL PANEL TO ROOF WITH PRECAST CONCRETE WALL PANEL (SEE BUILDING ELEVATIONS)
	12" GLAZED MASONRY UNIT WALL TO BOTTOM OF CONCRETE FLANK
	4" INSULATED WALL PANEL TO ROOF WITH PRECAST CONCRETE WALL PANEL (SEE BUILDING ELEVATIONS)
	12" GLAZED MASONRY UNIT WALL TO BOTTOM OF CONCRETE FLANK
	4" INSULATED WALL PANEL TO ROOF WITH PRECAST CONCRETE WALL PANEL (SEE BUILDING ELEVATIONS)
	12" GLAZED MASONRY UNIT WALL TO BOTTOM OF CONCRETE FLANK
	4" INSULATED WALL PANEL TO ROOF WITH PRECAST CONCRETE WALL PANEL (SEE BUILDING ELEVATIONS)
	12" GLAZED MASONRY UNIT WALL TO BOTTOM OF CONCRETE FLANK
	4" INSULATED WALL PANEL TO ROOF WITH PRECAST CONCRETE WALL PANEL (SEE BUILDING ELEVATIONS)
	12" GLAZED MASONRY UNIT WALL TO BOTTOM OF CONCRETE FLANK
	4" INSULATED WALL PANEL TO ROOF WITH PRECAST CONCRETE WALL PANEL (SEE BUILDING ELEVATIONS)
	12" GLAZED MASONRY UNIT WALL TO BOTTOM OF CONCRETE FLANK
	4" INSULATED WALL PANEL TO ROOF WITH PRECAST CONCRETE WALL PANEL (SEE BUILDING ELEVATIONS)
	12" GLAZED MASONRY UNIT WALL TO BOTTOM OF CONCRETE FLANK
	4" INSULATED WALL PANEL TO ROOF WITH PRECAST CONCRETE WALL PANEL (SEE BUILDING ELEVATIONS)
	12" GLAZED MASONRY UNIT WALL TO BOTTOM OF CONCRETE FLANK
	4" INSULATED WALL PANEL TO ROOF WITH PRECAST CONCRETE WALL PANEL (SEE BUILDING ELEVATIONS)
	12" GLAZED MASONRY UNIT WALL TO BOTTOM OF CONCRETE FLANK
	4" INSULATED WALL PANEL TO ROOF WITH PRECAST CONCRETE WALL PANEL (SEE BUILDING ELEVATIONS)
	12" GLAZED MASONRY UNIT WALL TO BOTTOM OF CONCRETE FLANK
	4" INSULATED WALL PANEL TO ROOF WITH PRECAST CONCRETE WALL PANEL (SEE BUILDING ELEVATIONS)
	12" GLAZED MASONRY UNIT WALL TO BOTTOM OF CONCRETE FLANK
	4" INSULATED WALL PANEL TO ROOF WITH PRECAST CONCRETE WALL PANEL (SEE BUILDING ELEVATIONS)
	12" GLAZED MASONRY UNIT WALL TO BOTTOM OF CONCRETE FLANK
	4" INSULATED WALL PANEL TO ROOF WITH PRECAST CONCRETE WALL PANEL (SEE BUILDING ELEVATIONS)
	12" GLAZED MASONRY UNIT WALL TO BOTTOM OF CONCRETE FLANK
	4" INSULATED WALL PANEL TO ROOF WITH PRECAST CONCRETE WALL PANEL (SEE BUILDING ELEVATIONS)
	12" GLAZED MASONRY UNIT WALL TO BOTTOM OF CONCRETE FLANK
	4" INSULATED WALL PANEL TO ROOF WITH PRECAST CONCRETE WALL PANEL (SEE BUILDING ELEVATIONS)
	12" GLAZED MASONRY UNIT WALL TO BOTTOM OF CONCRETE FLANK
	4" INSULATED WALL PANEL TO ROOF WITH PRECAST CONCRETE WALL PANEL (SEE BUILDING ELEVATIONS)
	12" GLAZED MASONRY UNIT WALL TO BOTTOM OF CONCRETE FLANK
	4" INSULATED WALL PANEL TO ROOF WITH PRECAST CONCRETE WALL PANEL (SEE BUILDING ELEVATIONS)
	12" GLAZED MASONRY UNIT WALL TO BOTTOM OF CONCRETE FLANK
	4" INSULATED WALL PANEL TO ROOF WITH PRECAST CONCRETE WALL PANEL (SEE BUILDING ELEVATIONS)
	12" GLAZED MASONRY UNIT WALL TO BOTTOM OF CONCRETE FLANK
	4" INSULATED WALL PANEL TO ROOF WITH PRECAST CONCRETE WALL PANEL (SEE BUILDING ELEVATIONS)
	12" GLAZED MASONRY UNIT WALL TO BOTTOM OF CONCRETE FLANK
	4" INSULATED WALL PANEL TO ROOF WITH PRECAST CONCRETE WALL PANEL (SEE BUILDING ELEVATIONS)
	12" GLAZED MASONRY UNIT WALL TO BOTTOM OF CONCRETE FLANK
	4" INSULATED WALL PANEL TO ROOF WITH PRECAST CONCRETE WALL PANEL (SEE BUILDING ELEVATIONS)
	12" GLAZED MASONRY UNIT WALL TO BOTTOM OF CONCRETE FLANK
	4" INSULATED WALL PANEL TO ROOF WITH PRECAST CONCRETE WALL PANEL (SEE BUILDING ELEVATIONS)
	12" GLAZED MASONRY UNIT WALL TO BOTTOM OF CONCRETE FLANK
	4" INSULATED WALL PANEL TO ROOF WITH PRECAST CONCRETE WALL PANEL (SEE BUILDING ELEVATIONS)
	12" GLAZED MASONRY UNIT WALL TO BOTTOM OF CONCRETE FLANK
	4" INSULATED WALL PANEL TO ROOF WITH PRECAST CONCRETE WALL PANEL (SEE BUILDING ELEVATIONS)
	12" GLAZED MASONRY UNIT WALL TO BOTTOM OF CONCRETE FLANK
	4" INSULATED WALL PANEL TO ROOF WITH PRECAST CONCRETE WALL PANEL (SEE BUILDING ELEVATIONS)
	12" GLAZED MASONRY UNIT WALL TO BOTTOM OF CONCRETE FLANK
	4" INSULATED WALL PANEL TO ROOF WITH PRECAST CONCRETE WALL PANEL (SEE BUILDING ELEVATIONS)
	12" GLAZED MASONRY UNIT WALL TO BOTTOM OF CONCRETE FLANK
	4" INSULATED WALL PANEL TO ROOF WITH PRECAST CONCRETE WALL PANEL (SEE BUILDING ELEVATIONS)
	12" GLAZED MASONRY UNIT WALL TO BOTTOM OF CONCRETE FLANK
	4" INSULATED WALL PANEL TO ROOF WITH PRECAST CONCRETE WALL PANEL (SEE BUILDING ELEVATIONS)
	12" GLAZED MASONRY UNIT WALL TO BOTTOM OF CONCRETE FLANK
	4" INSULATED WALL PANEL TO ROOF WITH PRECAST CONCRETE WALL PANEL (SEE BUILDING ELEVATIONS)
	12" GLAZED MASONRY UNIT WALL TO BOTTOM OF CONCRETE FLANK
	4" INSULATED WALL PANEL TO ROOF WITH PRECAST CONCRETE WALL PANEL (SEE BUILDING ELEVATIONS)
	12" GLAZED MASONRY UNIT WALL TO BOTTOM OF CONCRETE FLANK
	4" INSULATED WALL PANEL TO ROOF WITH PRECAST CONCRETE WALL PANEL (SEE BUILDING ELEVATIONS)
	12" GLAZED MASONRY UNIT WALL TO BOTTOM OF CONCRETE FLANK
	4" INSULATED WALL PANEL TO ROOF WITH PRECAST CONCRETE WALL PANEL (SEE BUILDING ELEVATIONS)
	12" GLAZED MASONRY UNIT WALL TO BOTTOM OF CONCRETE FLANK
	4" INSULATED WALL PANEL TO ROOF WITH PRECAST CONCRETE WALL PANEL (SEE BUILDING ELEVATIONS)
	12" GLAZED MASONRY UNIT WALL TO BOTTOM OF CONCRETE FLANK
	4" INSULATED WALL PANEL TO ROOF WITH PRECAST CONCRETE WALL PANEL (SEE BUILDING ELEVATIONS)
	12" GLAZED MASONRY UNIT WALL TO BOTTOM OF CONCRETE FLANK
	4" INSULATED WALL PANEL TO ROOF WITH PRECAST CONCRETE WALL PANEL (SEE BUILDING ELEVATIONS)
	12" GLAZED MASONRY UNIT WALL TO BOTTOM OF CONCRETE FLANK
	4" INSULATED WALL PANEL TO ROOF WITH PRECAST CONCRETE WALL PANEL (SEE BUILDING ELEVATIONS)
	12" GLAZED MASONRY UNIT WALL TO BOTTOM OF CONCRETE FLANK
	4" INSULATED WALL PANEL TO ROOF WITH PRECAST CONCRETE WALL PANEL (SEE BUILDING ELEVATIONS)
	12" GLAZED MASONRY UNIT WALL TO BOTTOM OF CONCRETE FLANK
	4" INSULATED WALL PANEL TO ROOF WITH PRECAST CONCRETE WALL PANEL (SEE BUILDING ELEVATIONS)
	12" GLAZED MASONRY UNIT WALL TO BOTTOM OF CONCRETE FLANK
	4" INSULATED WALL PANEL TO ROOF WITH PRECAST CONCRETE WALL PANEL (SEE BUILDING ELEVATIONS)
	12" GLAZED MASONRY UNIT WALL TO BOTTOM OF CONCRETE FLANK
	4" INSULATED WALL PANEL TO ROOF WITH PRECAST CONCRETE WALL PANEL (SEE BUILDING ELEVATIONS)
	12" GLAZED MASONRY UNIT WALL TO BOTTOM OF CONCRETE FLANK
	4" INSULATED WALL PANEL TO ROOF WITH PRECAST CONCRETE WALL PANEL (SEE BUILDING ELEVATIONS)
	12" GLAZED MASONRY UNIT WALL TO BOTTOM OF CONCRETE FLANK
	4" INSULATED WALL PANEL TO ROOF WITH PRECAST CONCRETE WALL PANEL (SEE BUILDING ELEVATIONS)
	12" GLAZED MASONRY UNIT WALL TO BOTTOM OF CONCRETE FLANK
	4" INSULATED WALL PANEL TO ROOF WITH PRECAST CONCRETE WALL PANEL (SEE BUILDING ELEVATIONS)
	12" GLAZED MASONRY UNIT WALL TO BOTTOM OF CONCRETE FLANK
	4" INSULATED WALL PANEL TO ROOF WITH PRECAST CONCRETE WALL PANEL (SEE BUILDING ELEVATIONS)
	12" GLAZED MASONRY UNIT WALL TO BOTTOM OF CONCRETE FLANK
	4" INSULATED WALL PANEL TO ROOF WITH PRECAST CONCRETE WALL PANEL (SEE BUILDING ELEVATIONS)
	12" GLAZED MASONRY UNIT WALL TO BOTTOM OF CONCRETE FLANK
	4" INSULATED WALL PANEL TO ROOF WITH PRECAST CONCRETE WALL PANEL (SEE BUILDING ELEVATIONS)
	12" GLAZED MASONRY UNIT WALL TO BOTTOM OF CONCRETE FLANK
	4" INSULATED WALL PANEL TO ROOF WITH PRECAST CONCRETE WALL PANEL (SEE BUILDING ELEVATIONS)
	12" GLAZED MASONRY UNIT WALL TO BOTTOM OF CONCRETE FLANK
	4" INSULATED WALL PANEL TO ROOF WITH PRECAST CONCRETE WALL PANEL (SEE BUILDING ELEVATIONS)

**TOILET ROOM ACCESSORY SCHEDULE**

ITEM	MANUFACTURER	MODEL/HEIGHT
1	SUAV SPONGES	48" TO CENTER OF SPONGES AND 38" TO BOTTOM DOOR
2	TOILET BRUSH SPONGER	48" TO CENTER LINE OF TOILET AND 38" TO CENTER LINE OF WASH TUBEL SOLI
3	36" x 48" CHAIR BAR	48" TO CENTER LINE 33" TO CENTER LINE

NOTE: SEE DIVISION 10 SPECIFICATION FOR ACCESSORY MANUFACTURERS.



**FACILITIES DESIGN**

3904 Abel Drive  
Columbia, Pennsylvania 17512  
Phone: (717) 262-3142  
Email: [info@facilitiesdesign.com](mailto:info@facilitiesdesign.com)  
Web: [www.facilitiesdesign.com](http://www.facilitiesdesign.com)  
C.A. NUMBER: 20031118 F

**Engineering Design Services**  
Architectural Engineering  
Foundation & Structural  
Interior Design  
Civil & Environmental  
Lighting  
Power Distribution  
Mechanical  
Process Heating  
Project Planning & Program Management  
Process Design  
Facilities Design  
Material Handling System Studies

**NEW MILK COOLER**  
**DAIRY**

364 FOREST AVENUE  
PORTLAND, MAINE 04101

**MISCCELLANEOUS PLANS AND STAIR SECTIONS**

DATE: MARCH 1, 2004  
PROJECT NUMBER: 0167.00

DESIGNED BY: MSA  
CHECKED BY: MSA

REVISIONS  
0 3-01-04 DESIG FOR BID

Do not scale drawings. Contractors shall verify all dimensions and conditions prior to construction for resolution.

DRIVING NUMBER: B101  
REVISION: 0