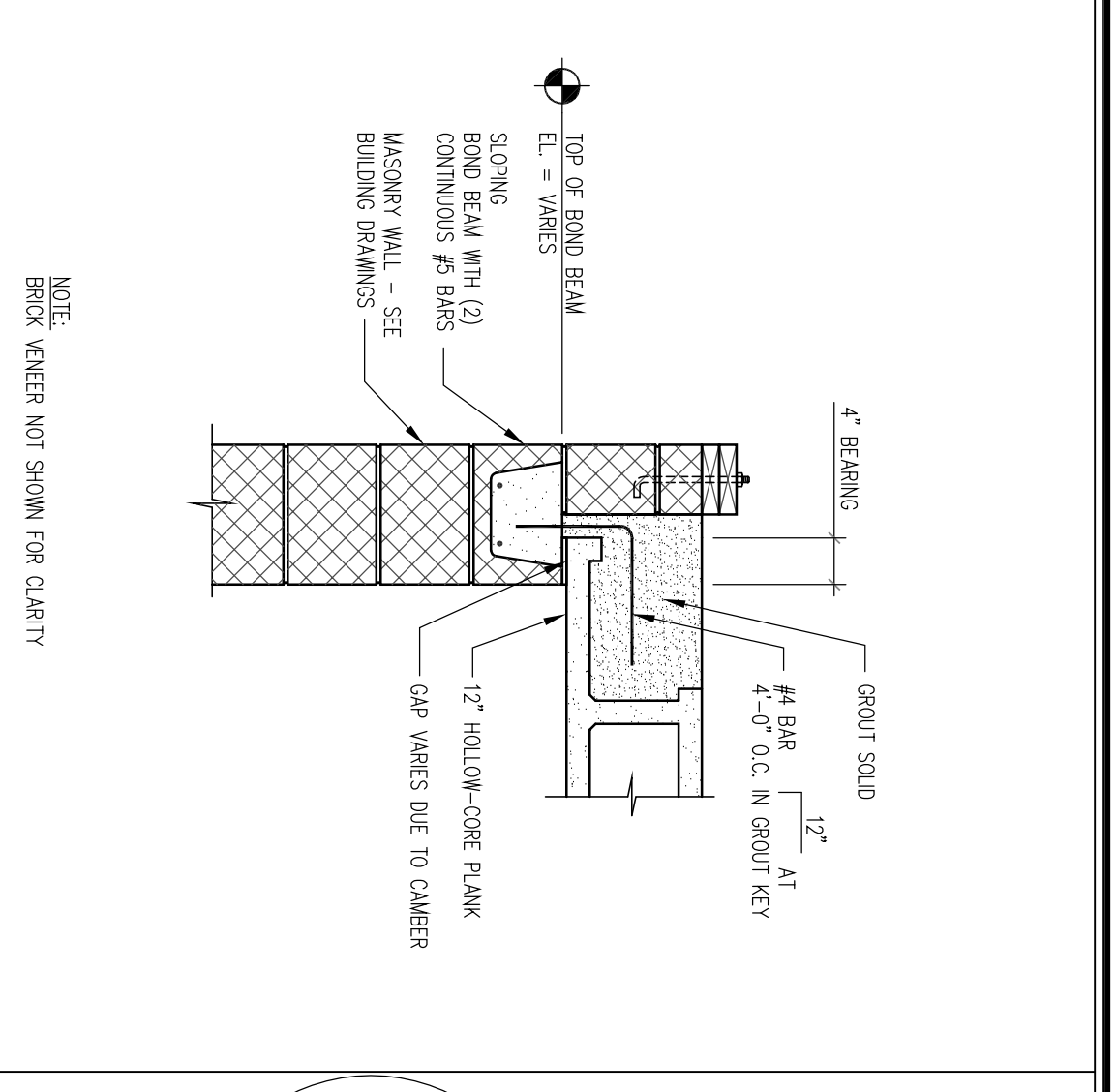
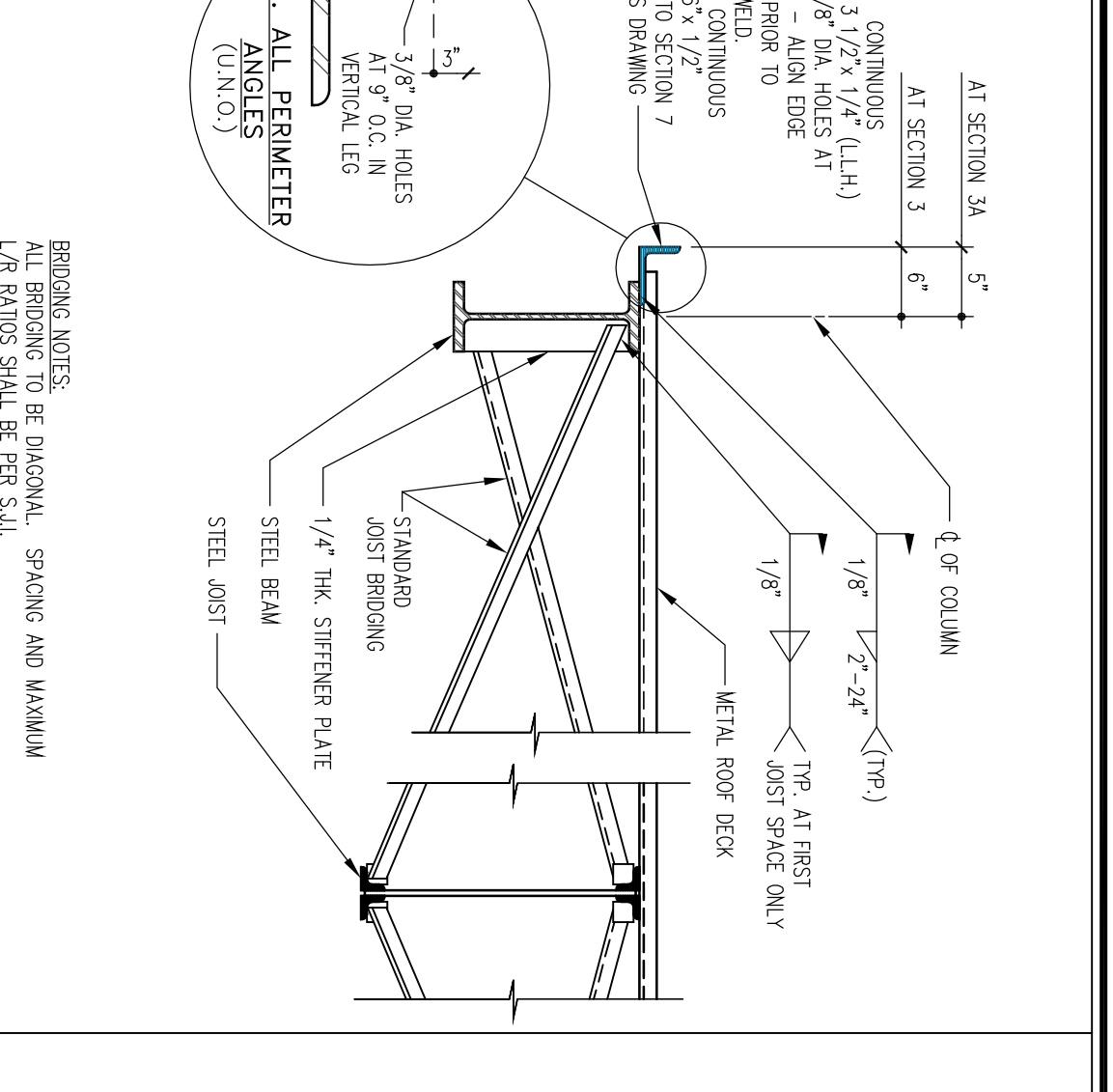


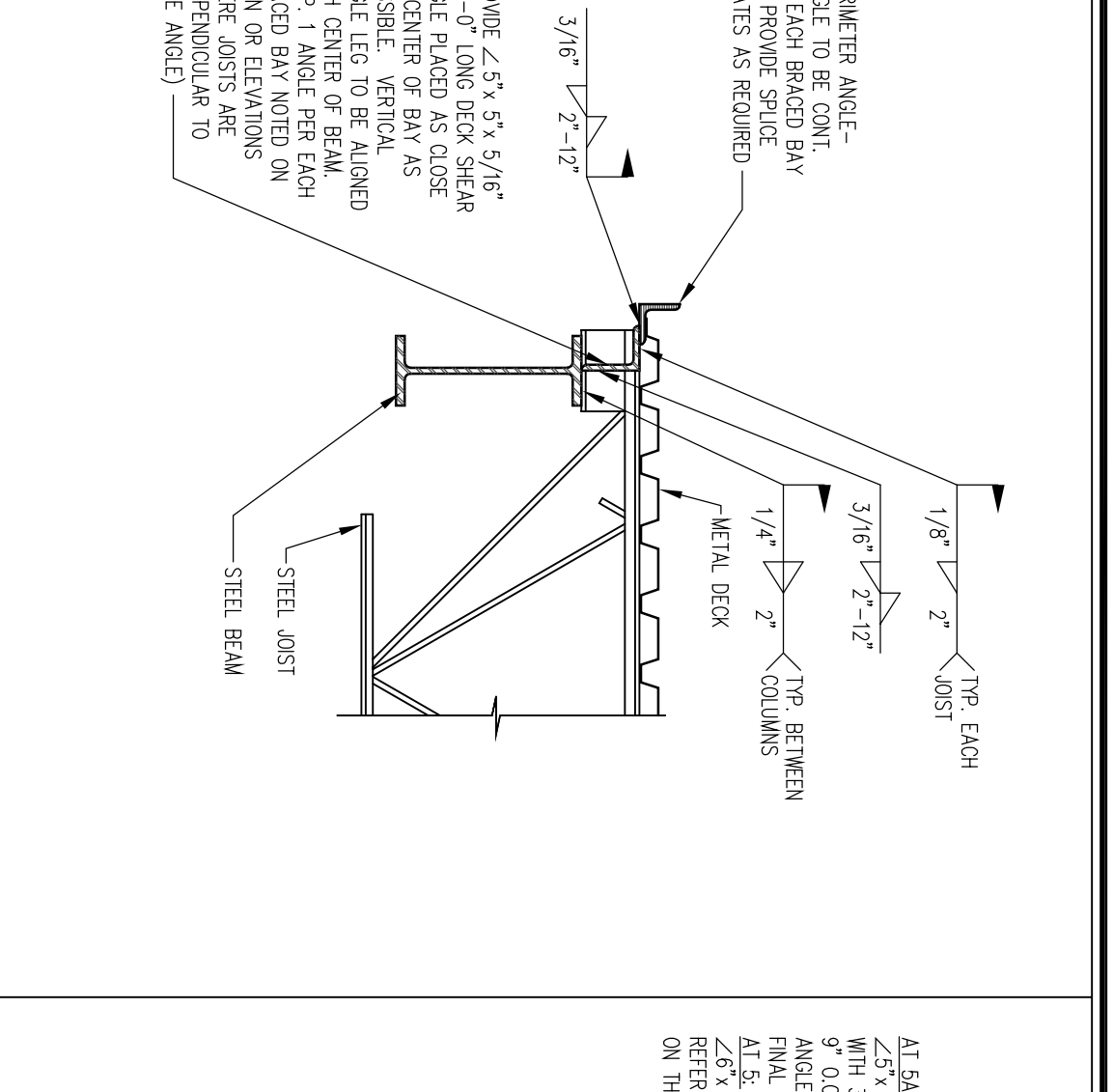
SECTION
SCALE: 3/4" = 1'-0"
NOTE: REINFORCING NOT SHOWN FOR CLARITY



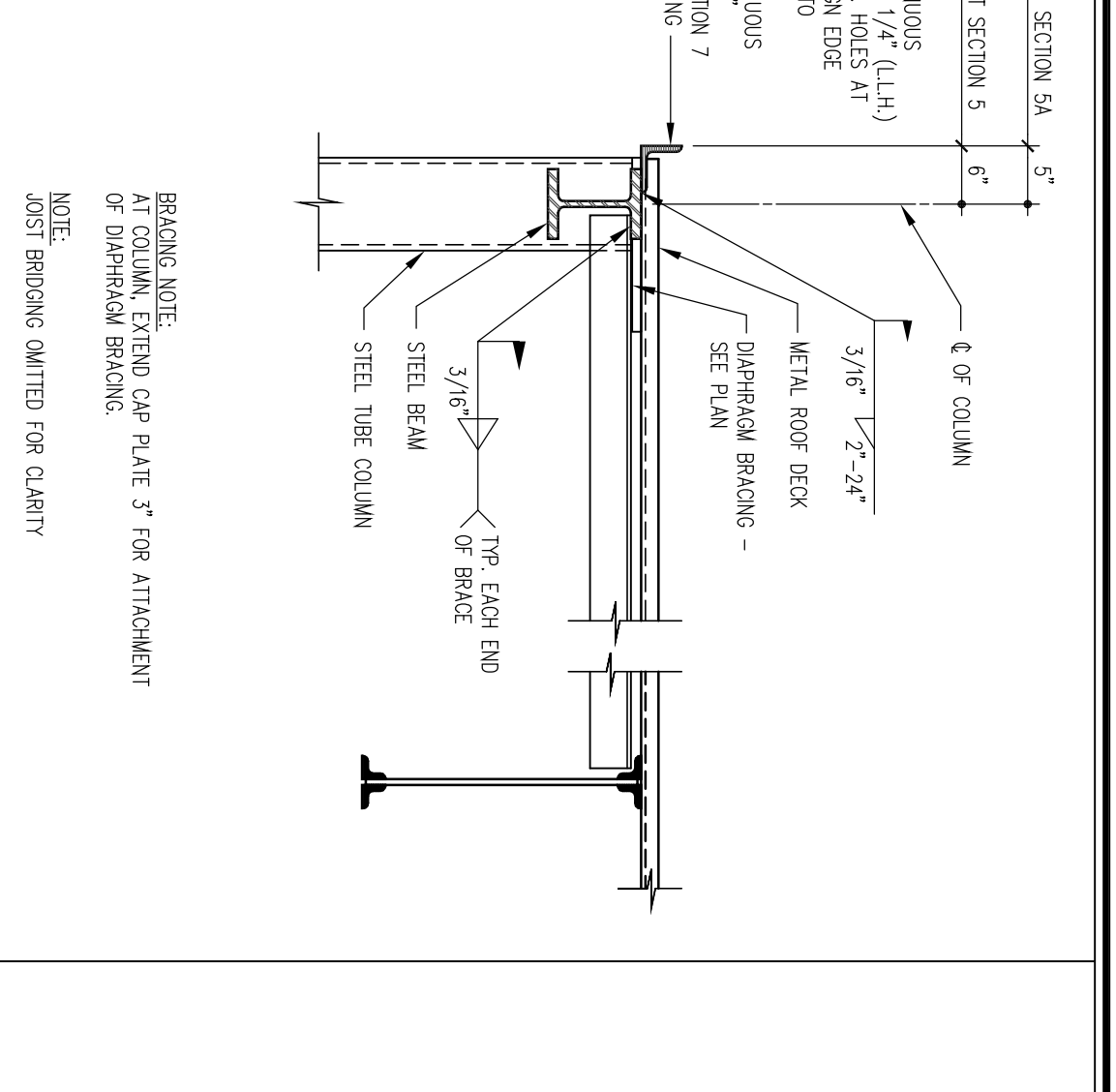
SECTION
SCALE: 3/4" = 1'-0"
NOTE: REINFORCING NOT SHOWN FOR CLARITY



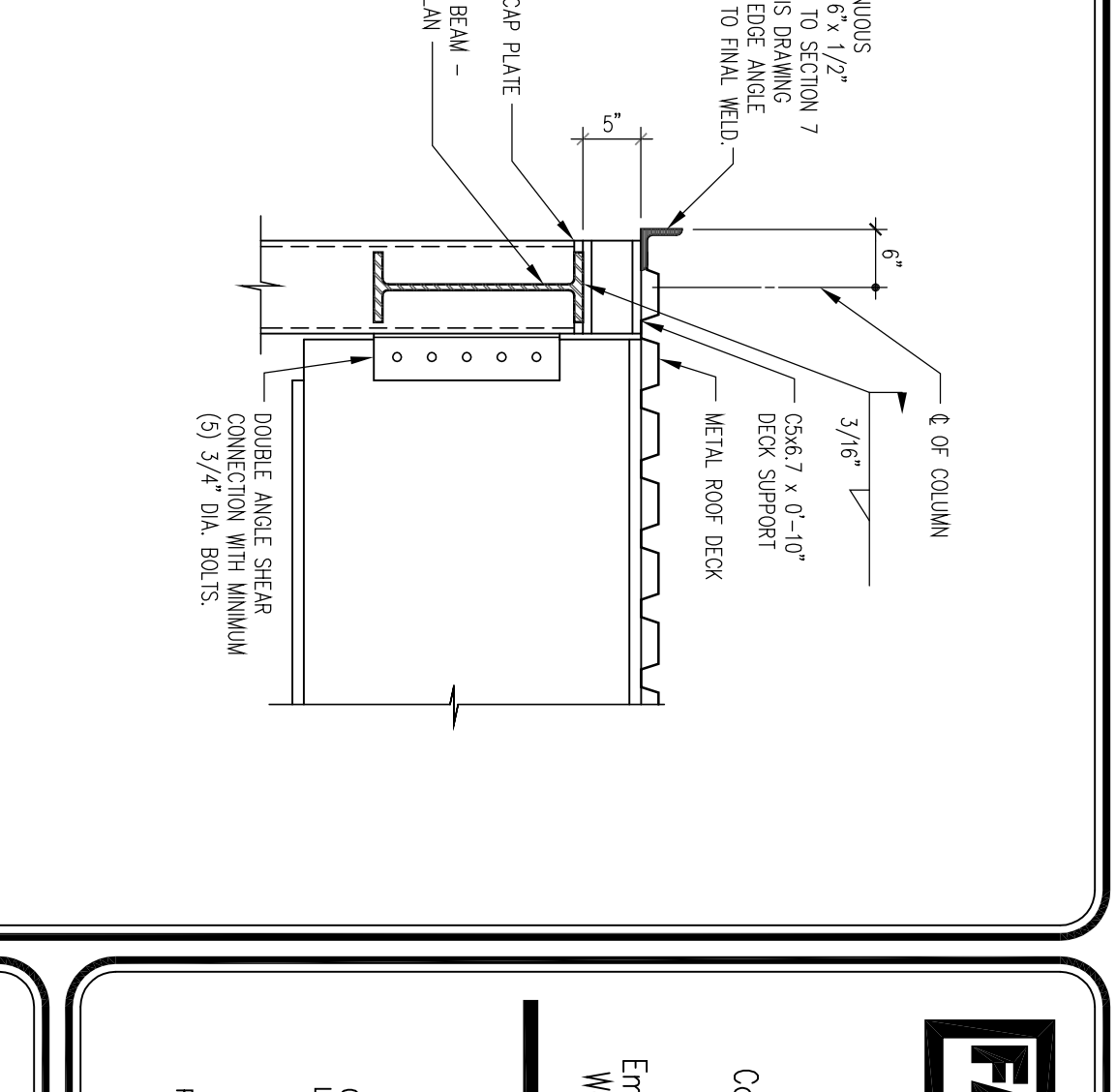
SECTION
SCALE: 3/4" = 1'-0"
REINFORCING NOTES: ALL REINFORCING TO BE DIAGONAL, SPACING AND MAXIMUM 1/4\"/>



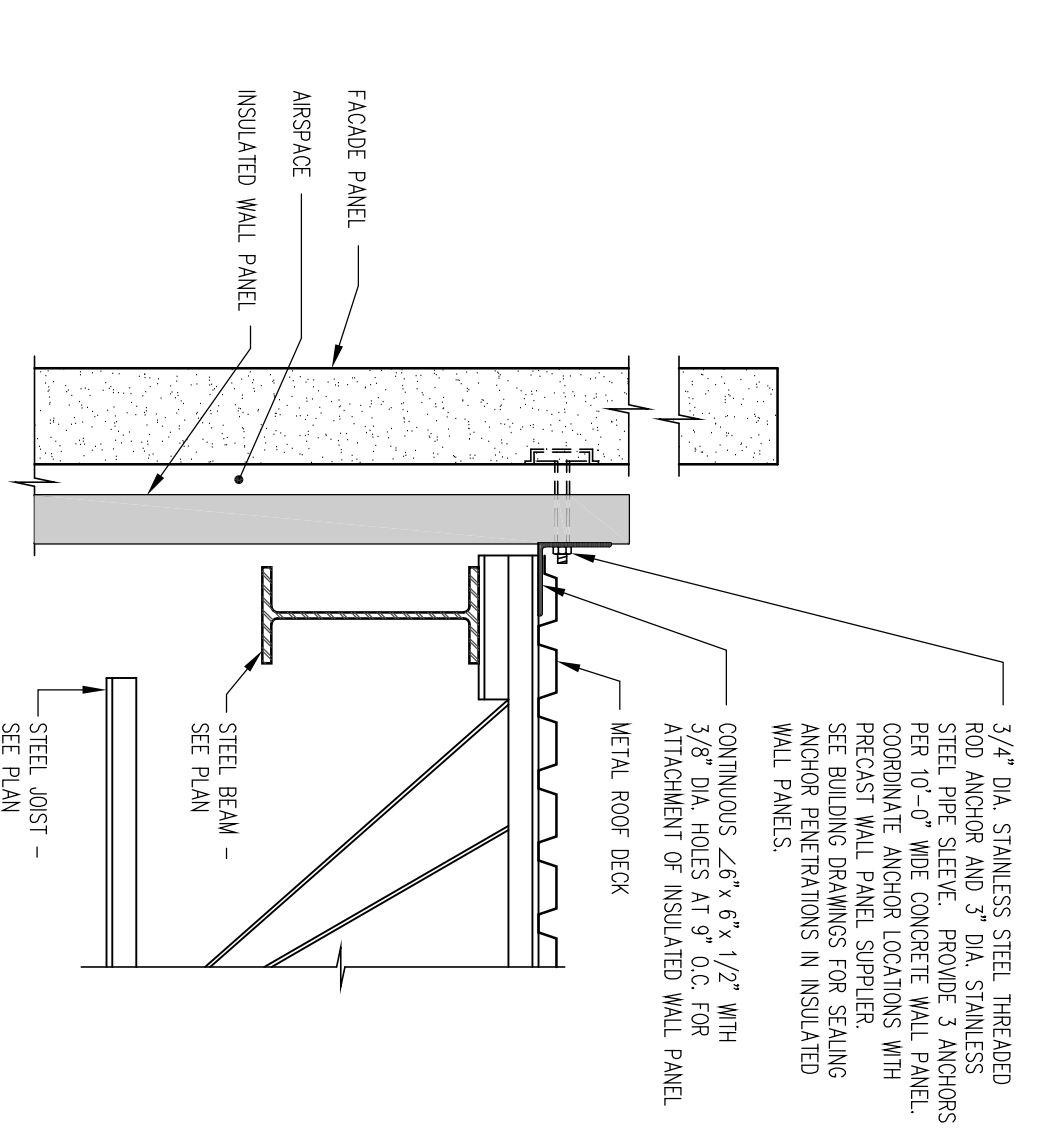
SECTION
SCALE: 3/4" = 1'-0"
TYPICAL DECK SHEAR ANGLE



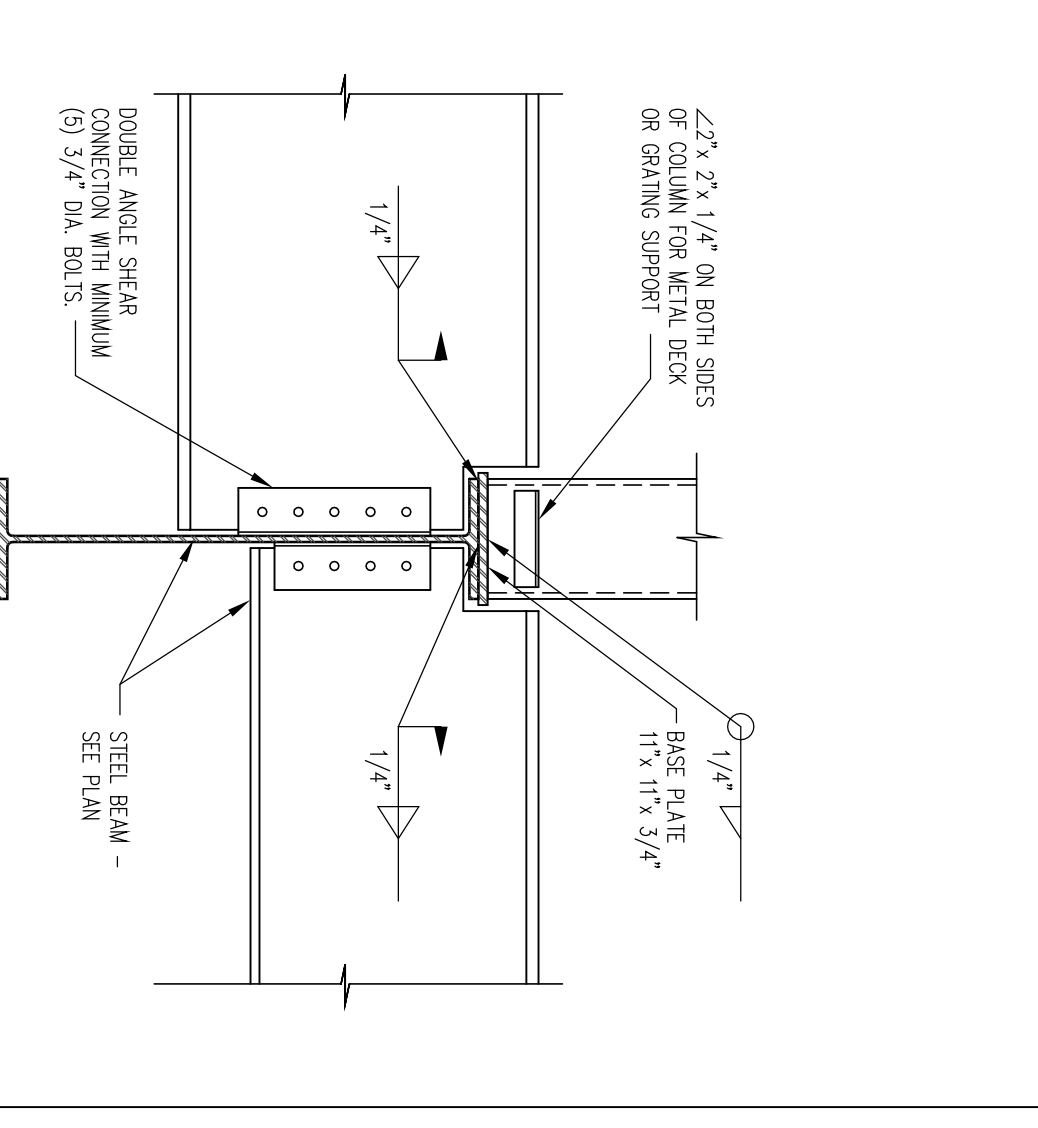
SECTION
SCALE: 3/4" = 1'-0"
BEARING NOTE: REINFORCING CAP PLATE 3\"/>



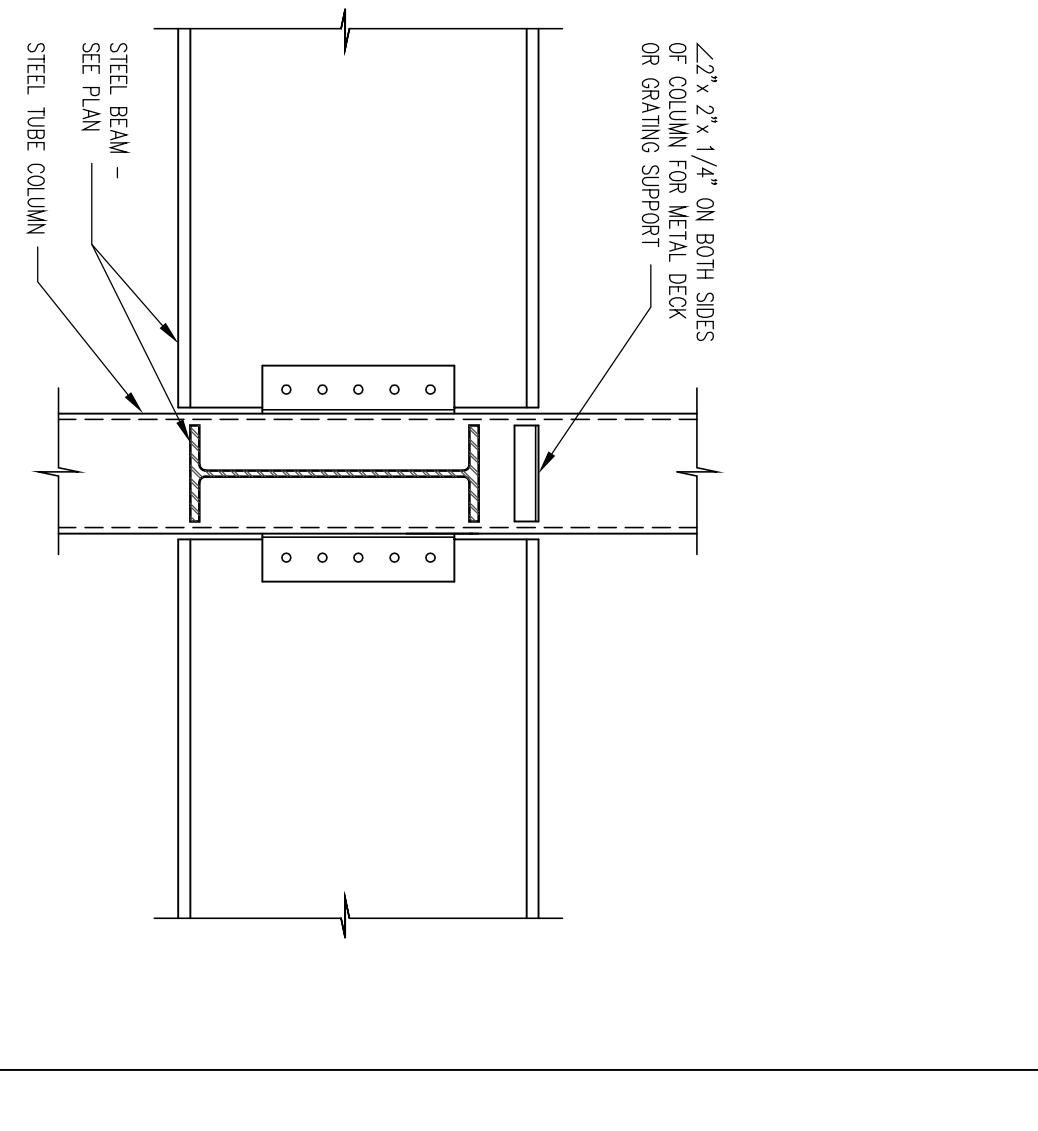
SECTION
SCALE: 3/4" = 1'-0"



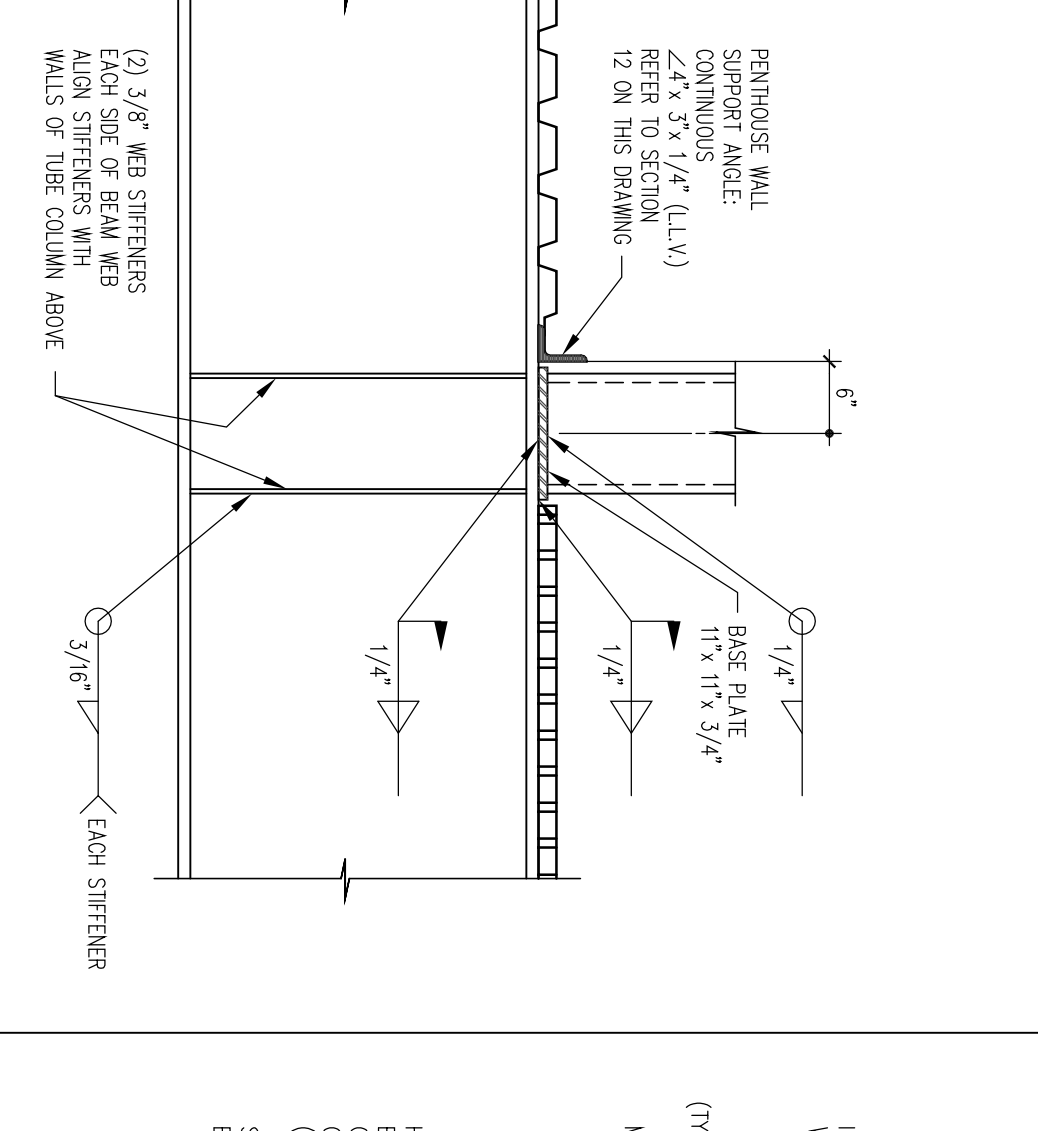
SECTION
SCALE: 3/4" = 1'-0"



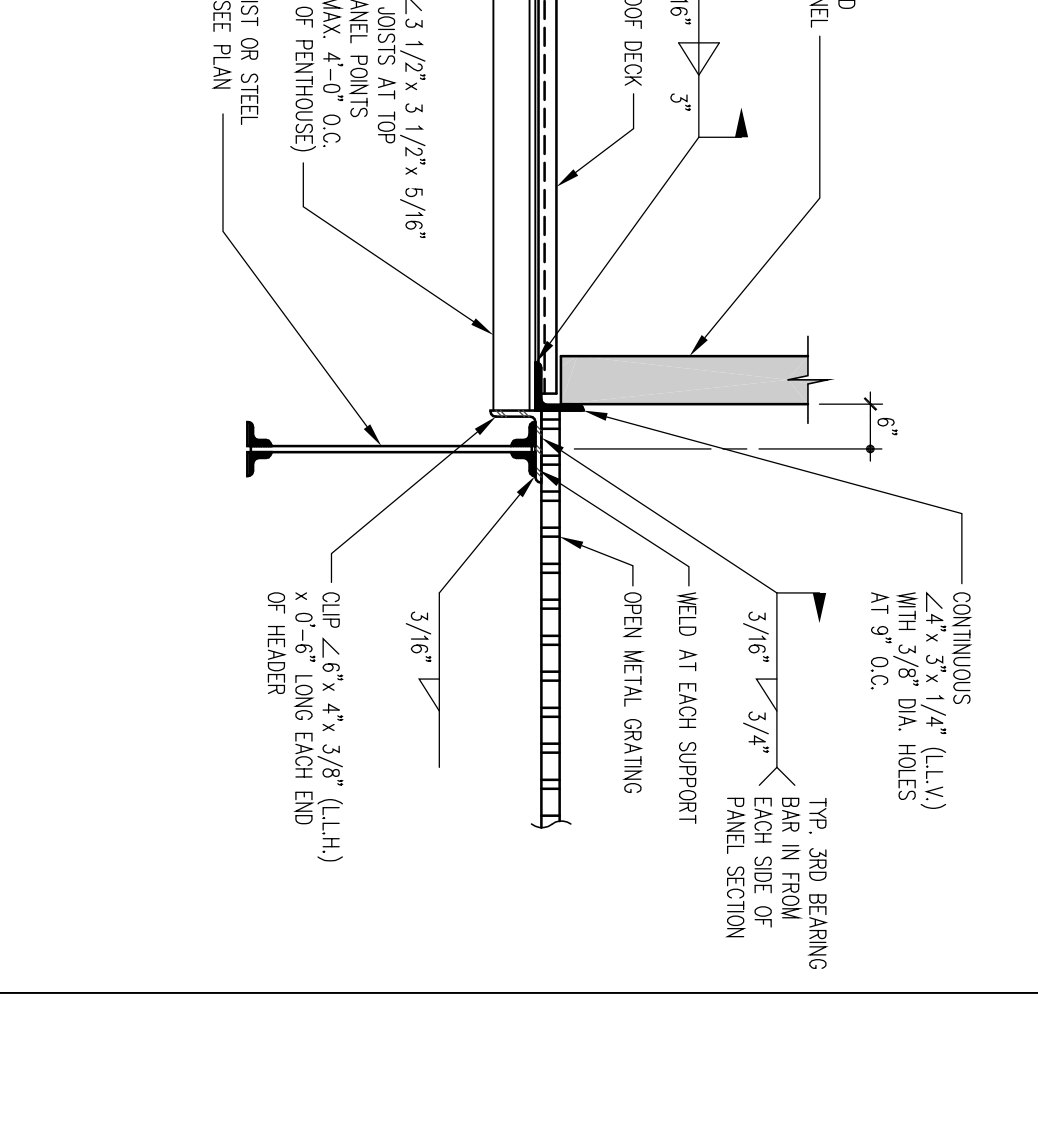
SECTION
SCALE: 3/4" = 1'-0"



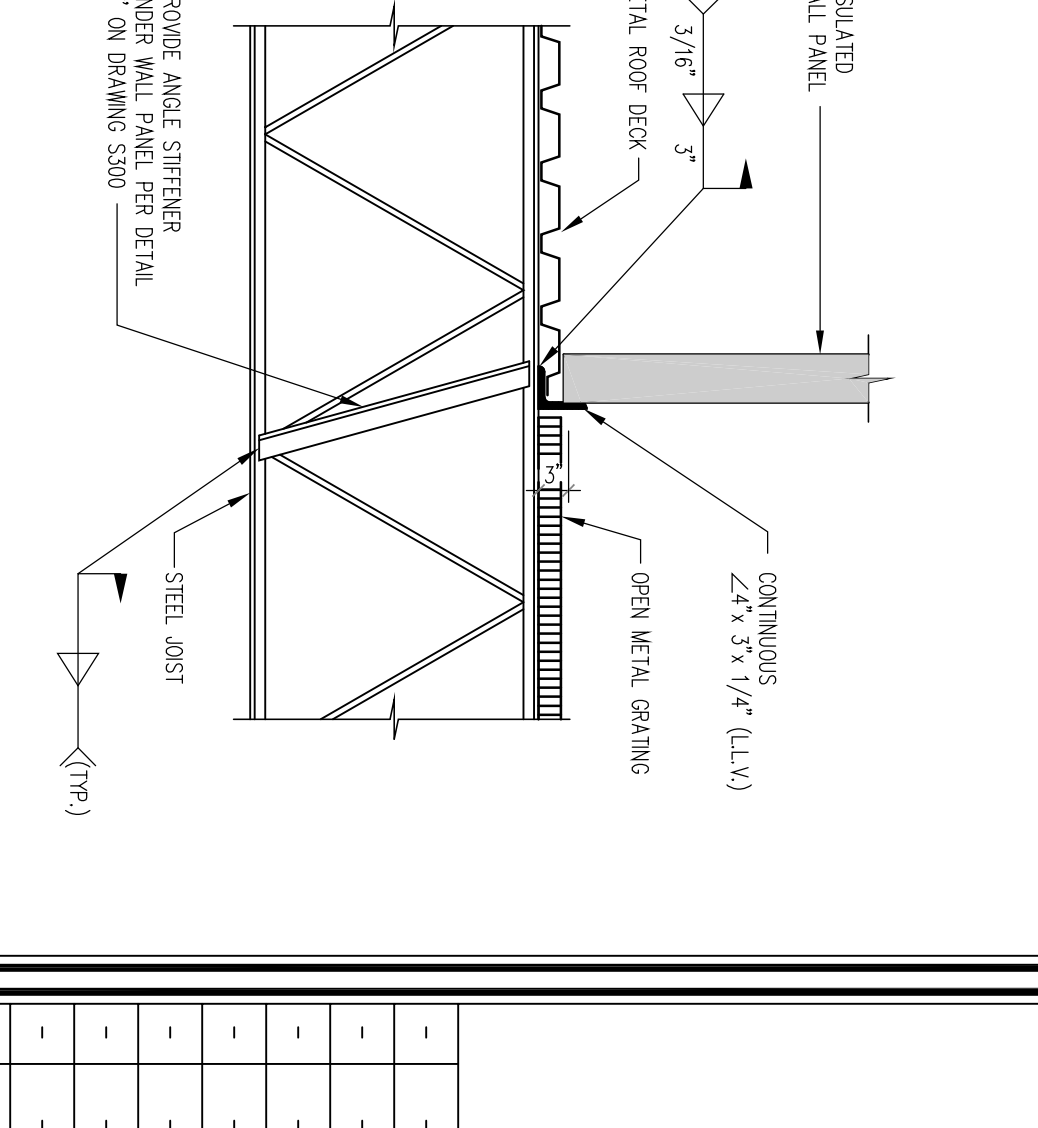
SECTION
SCALE: 3/4" = 1'-0"



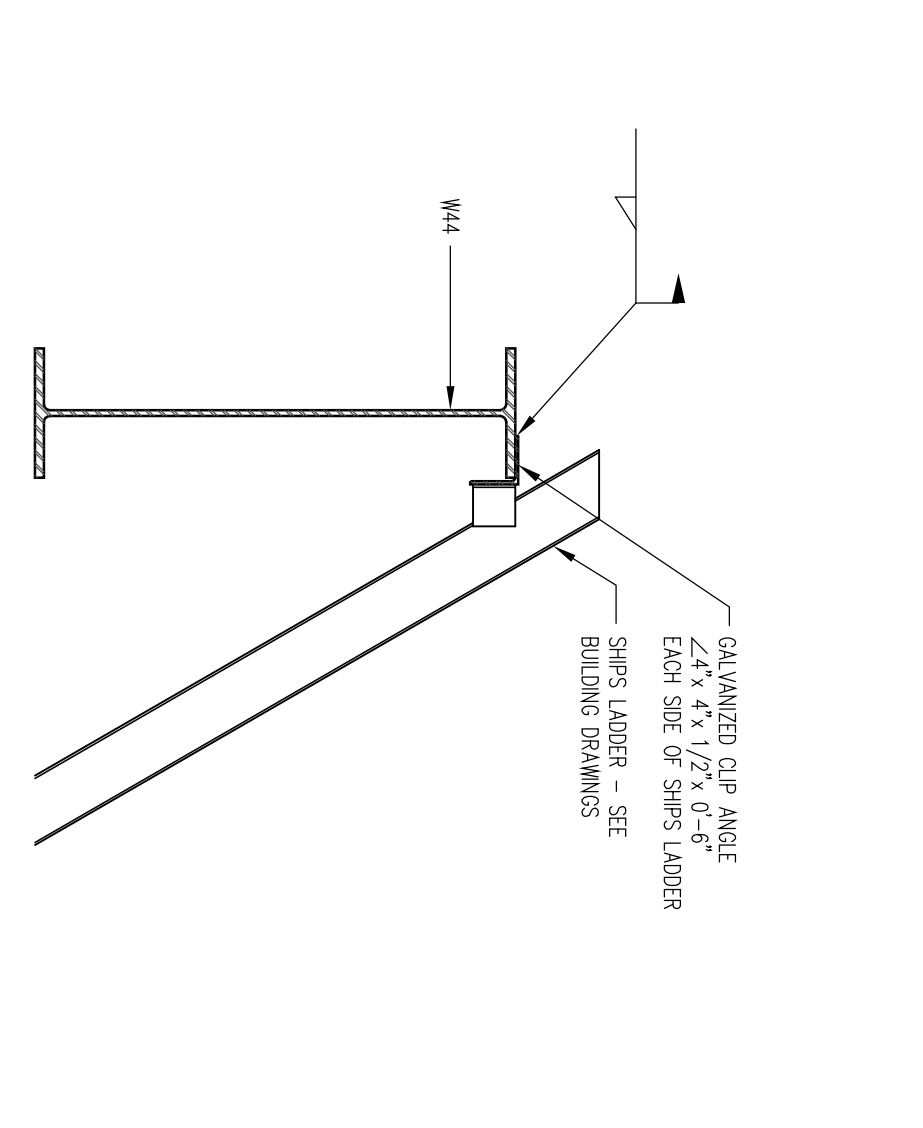
SECTION
SCALE: 3/4" = 1'-0"



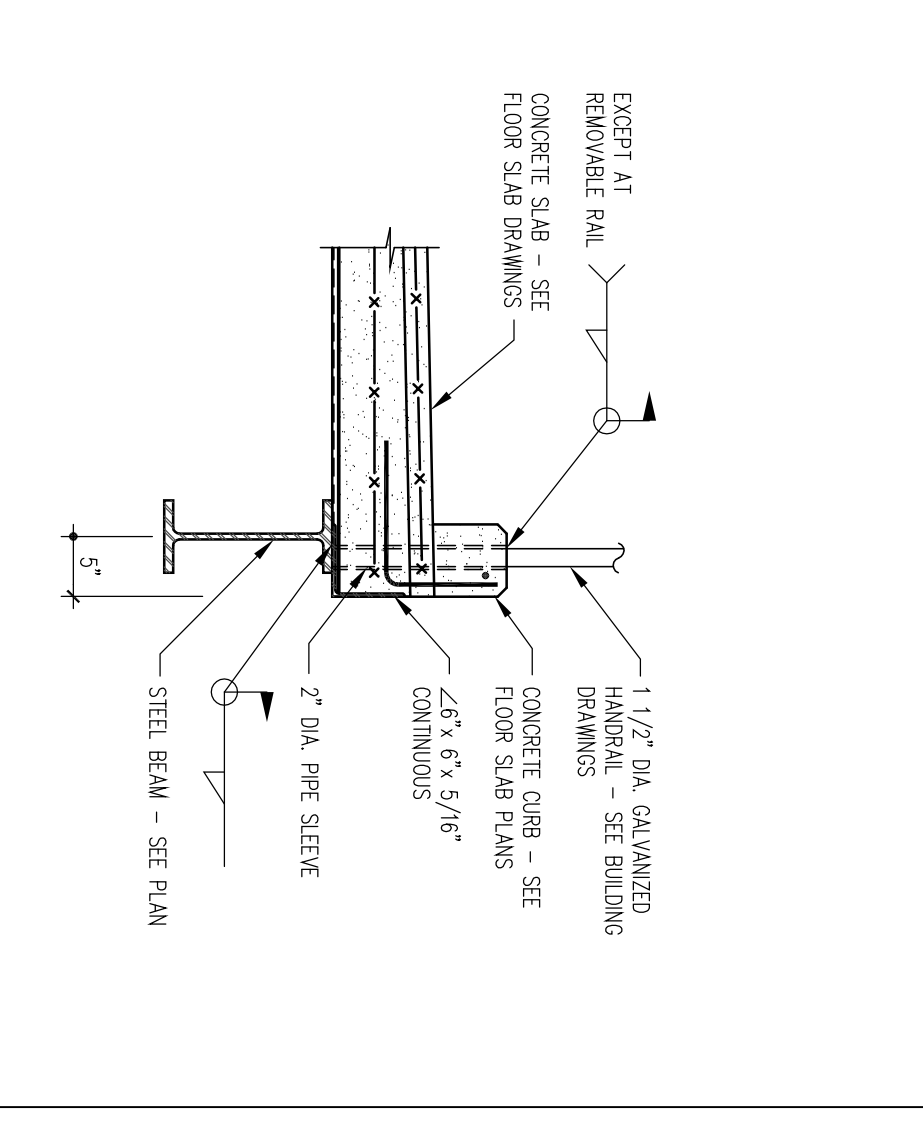
SECTION
SCALE: 3/4" = 1'-0"
PERIMETER WALL SUPPORT



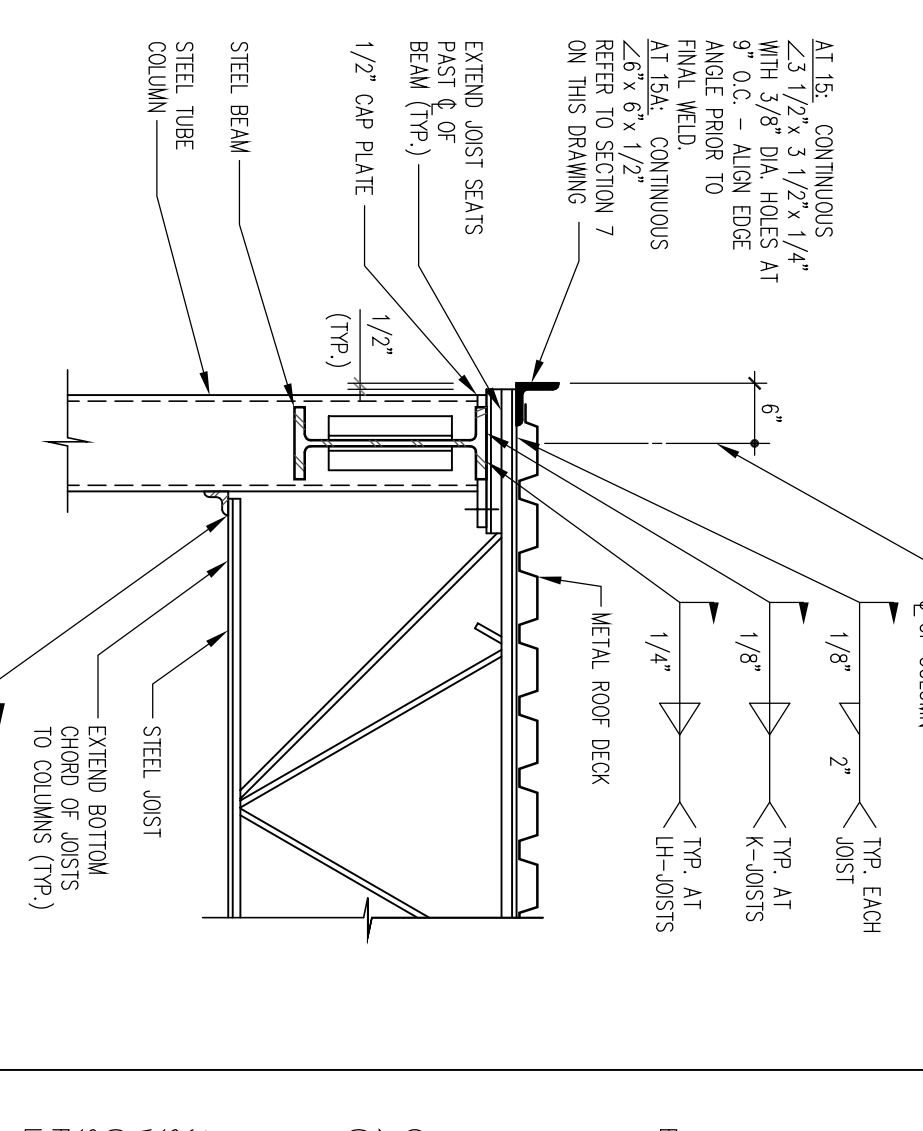
SECTION
SCALE: 3/4" = 1'-0"
PERIMETER WALL SUPPORT AT MIDSPAN OF JOIST



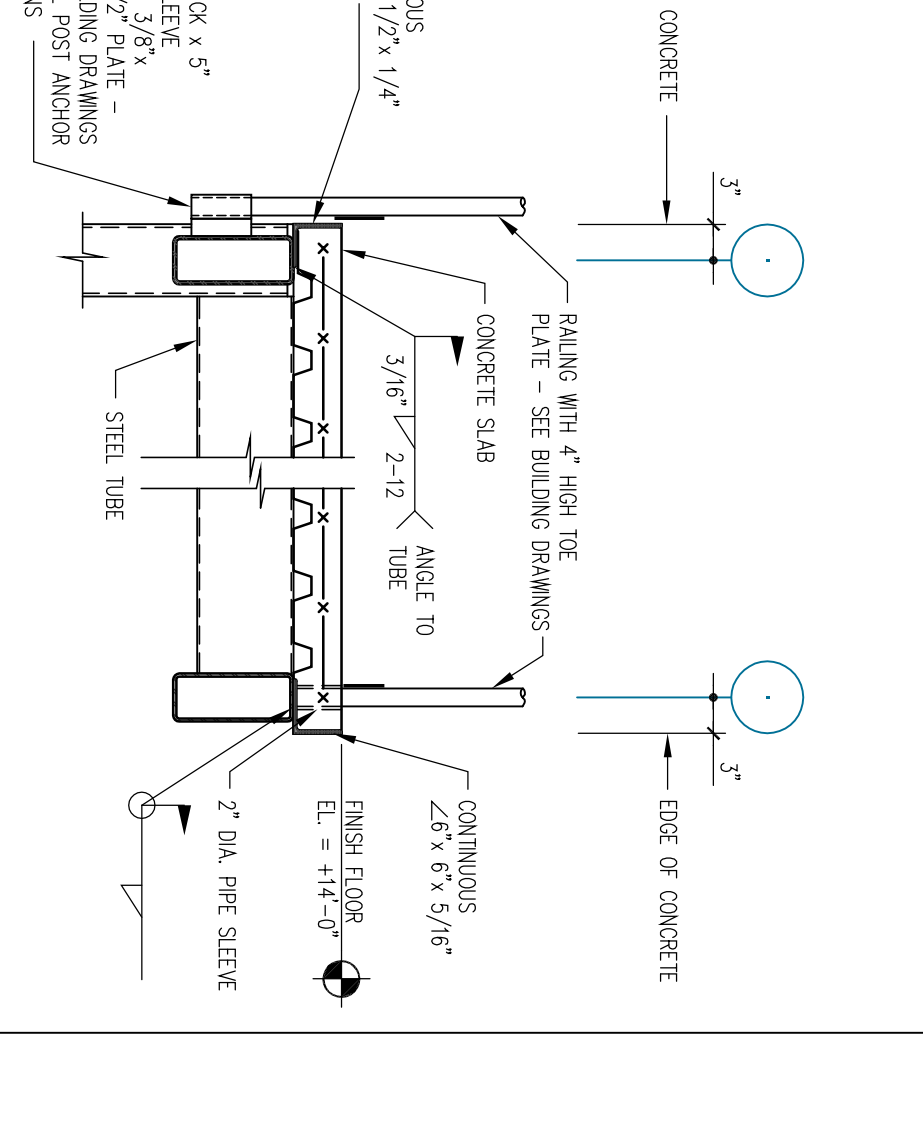
SECTION
SCALE: 3/4" = 1'-0"



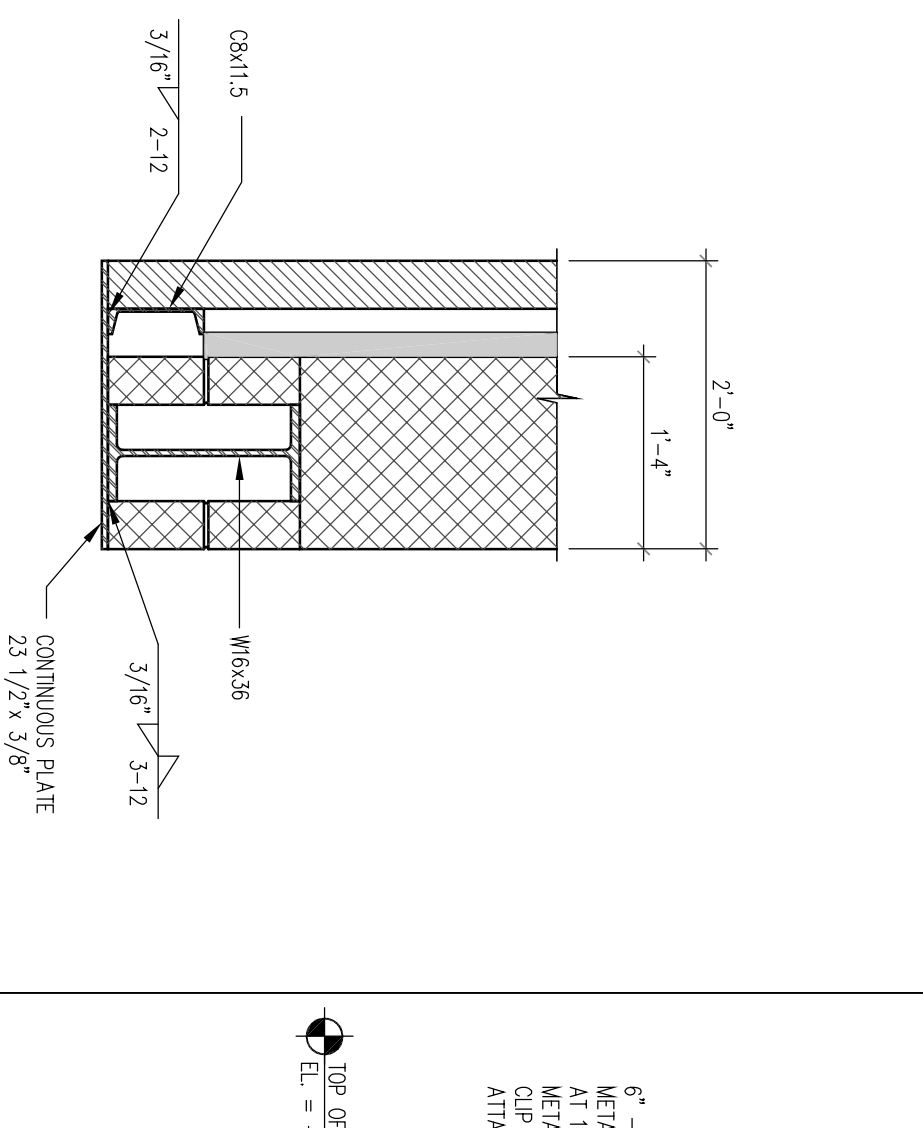
SECTION
SCALE: 3/4" = 1'-0"
NOTE: A SIMILAR CONDITION JOISTS BEAR ON BEAM



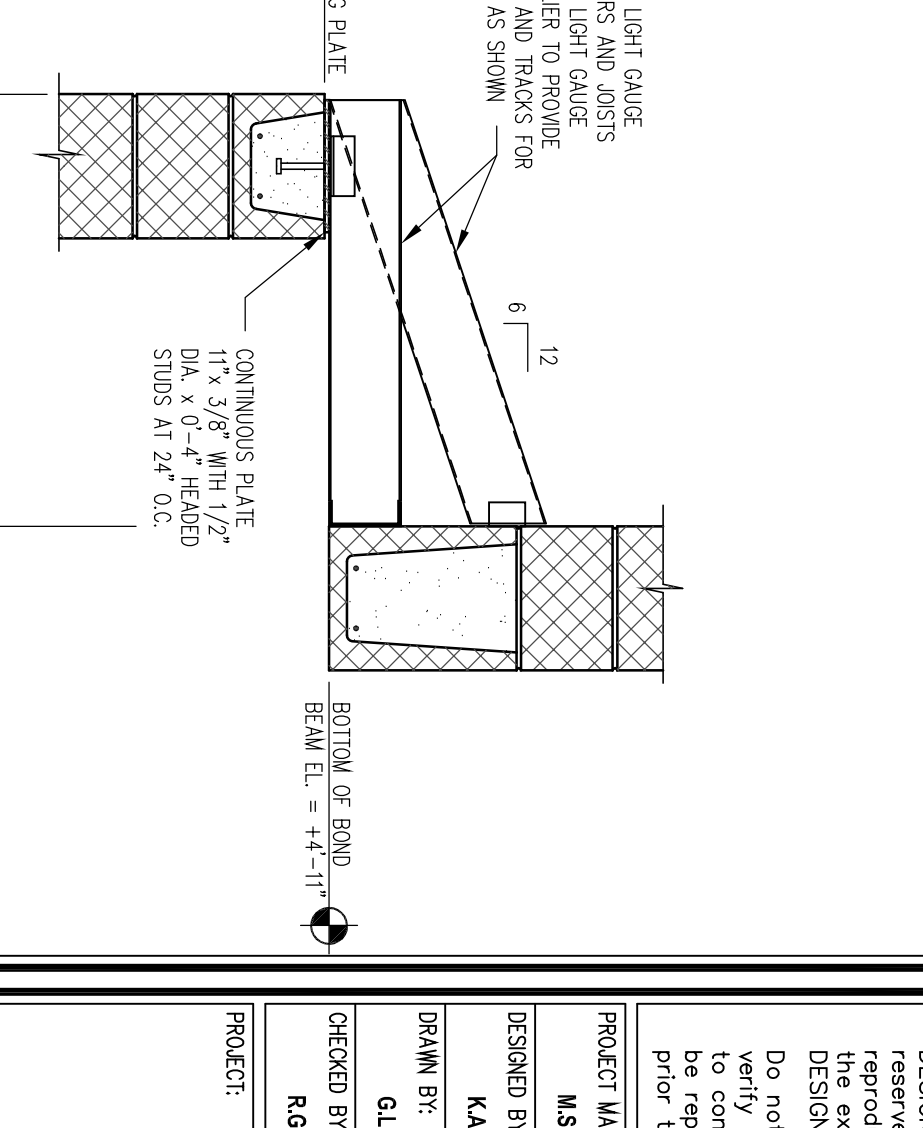
SECTION
SCALE: 3/4" = 1'-0"



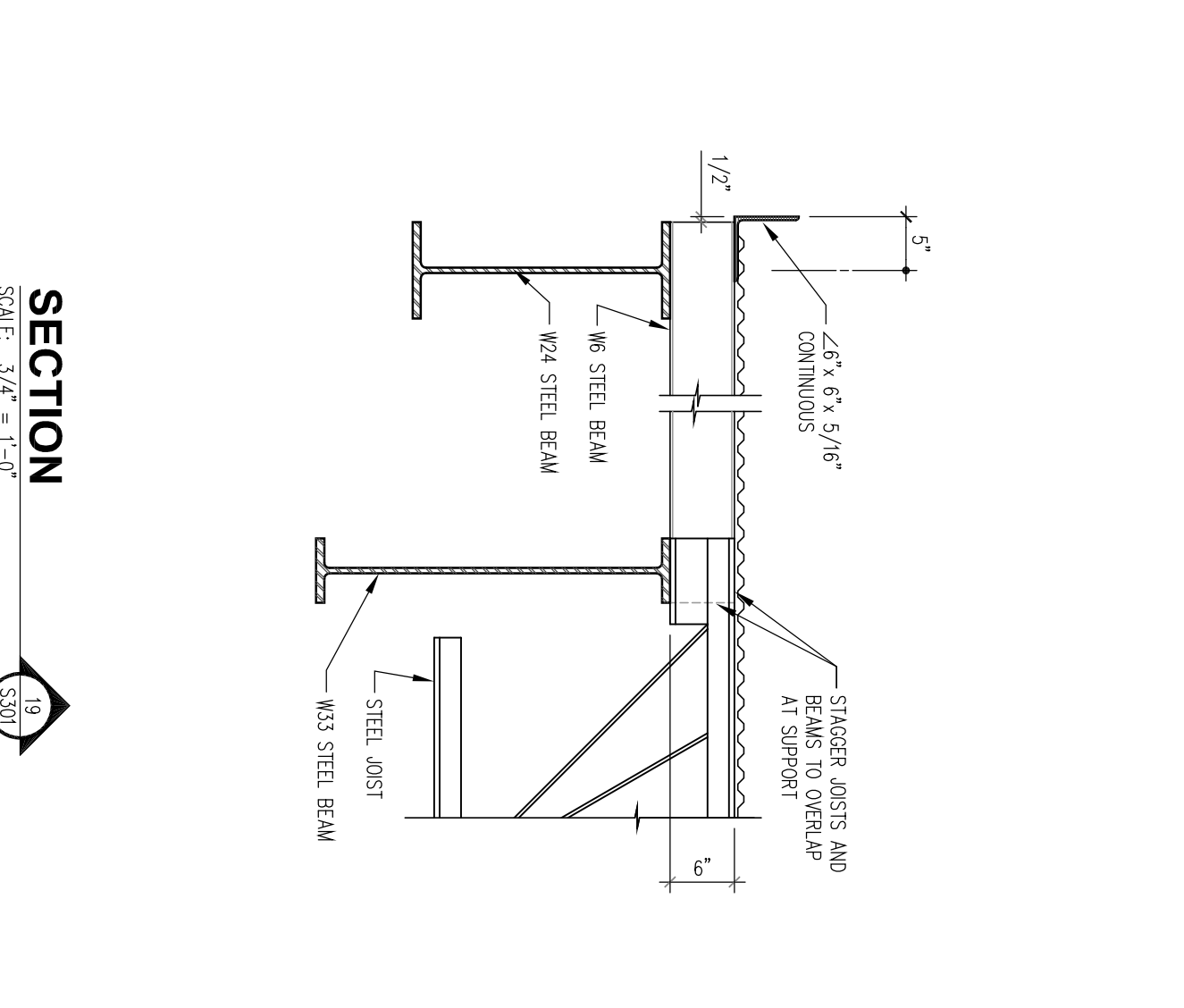
SECTION
SCALE: 3/4" = 1'-0"



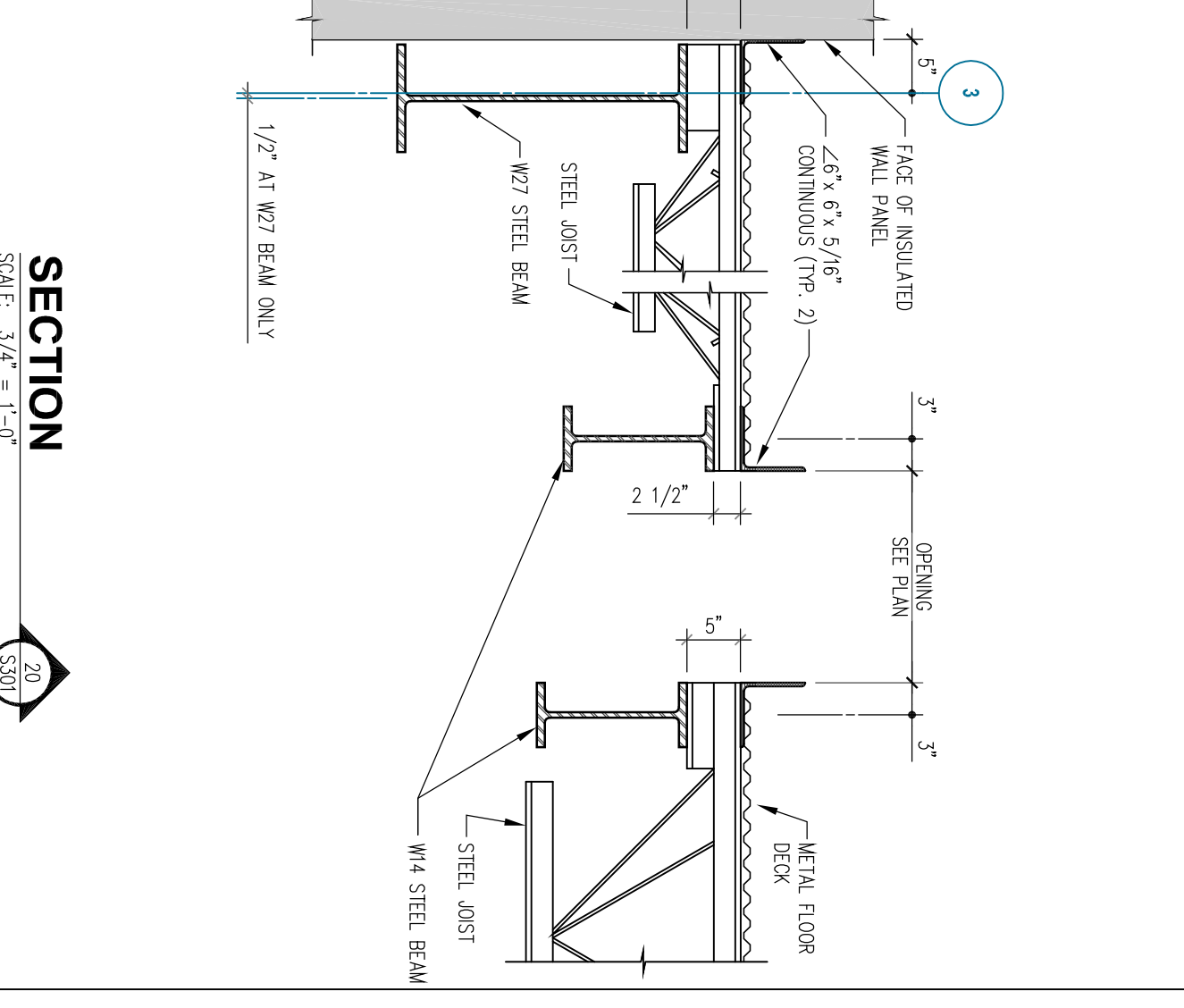
SECTION
SCALE: 3/4" = 1'-0"



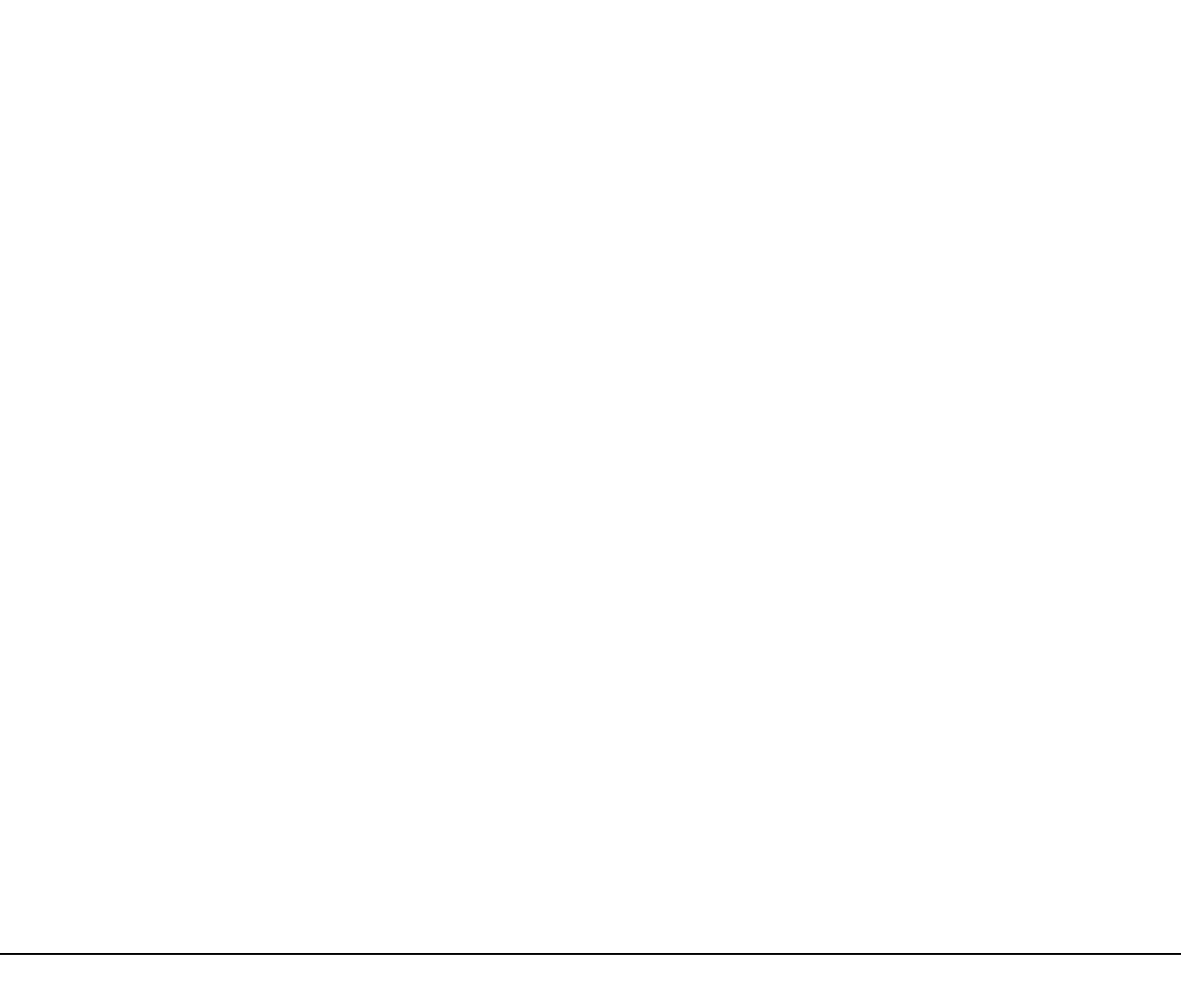
SECTION
SCALE: 3/4" = 1'-0"



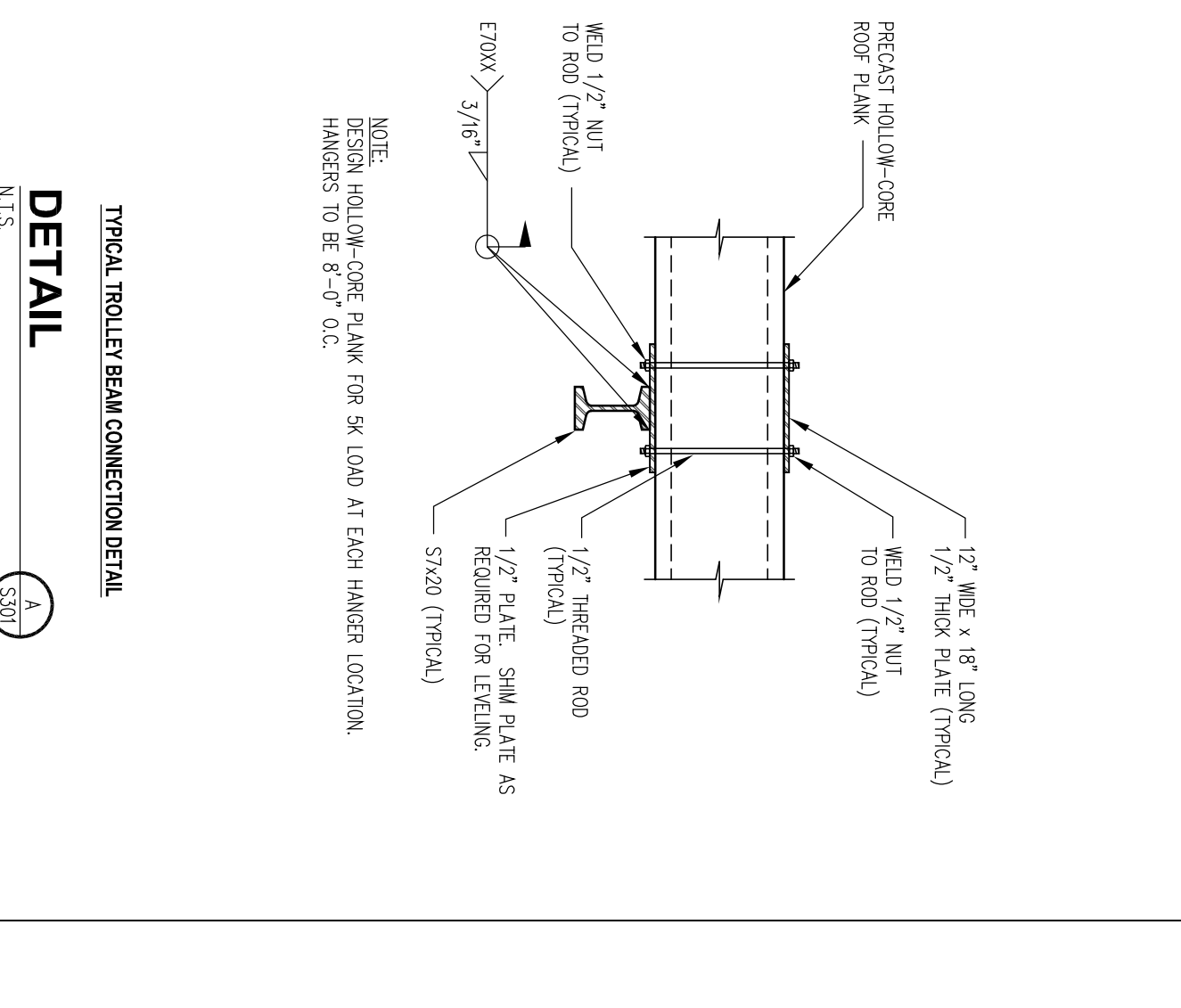
SECTION
SCALE: 3/4" = 1'-0"



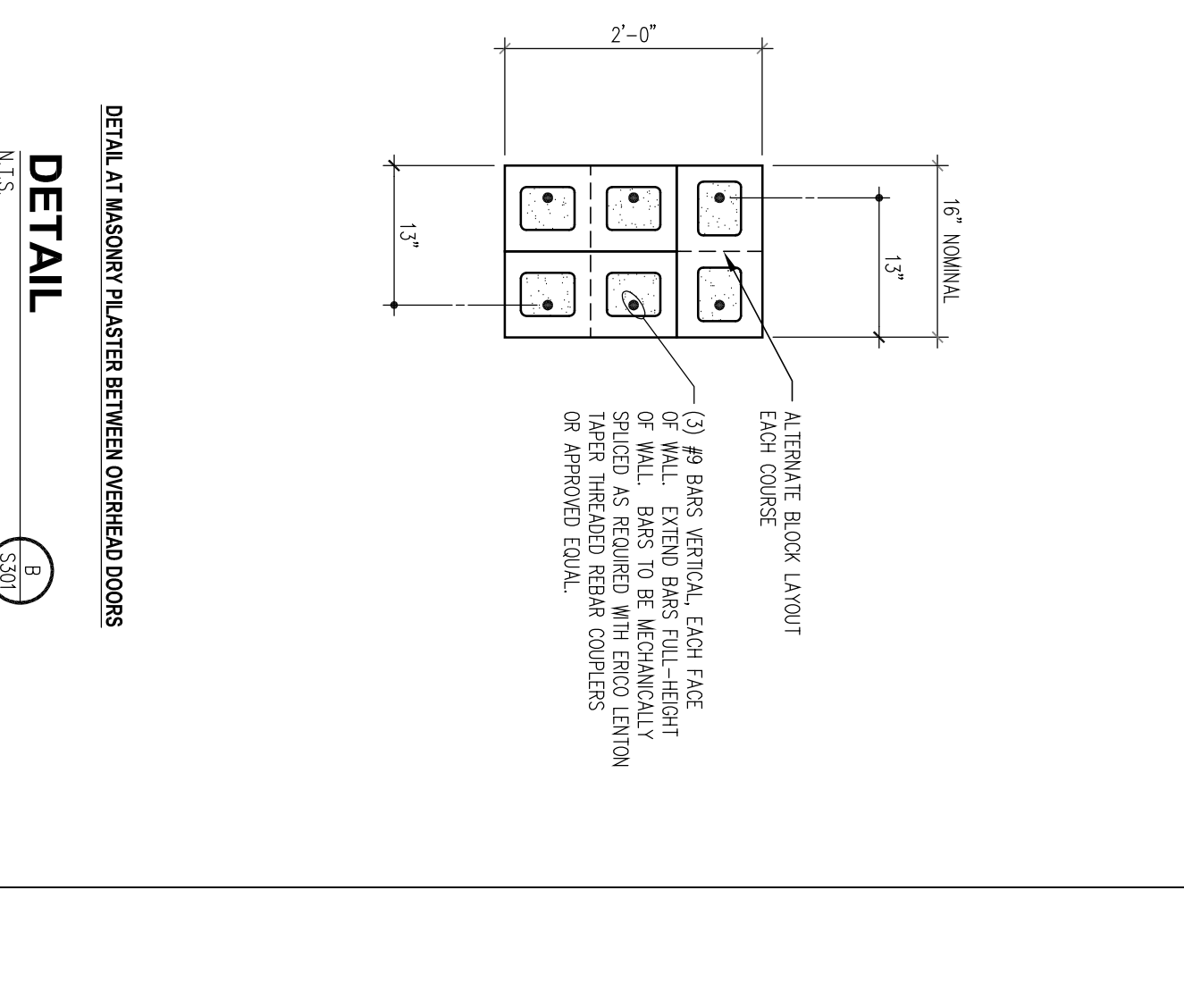
SECTION
SCALE: 3/4" = 1'-0"



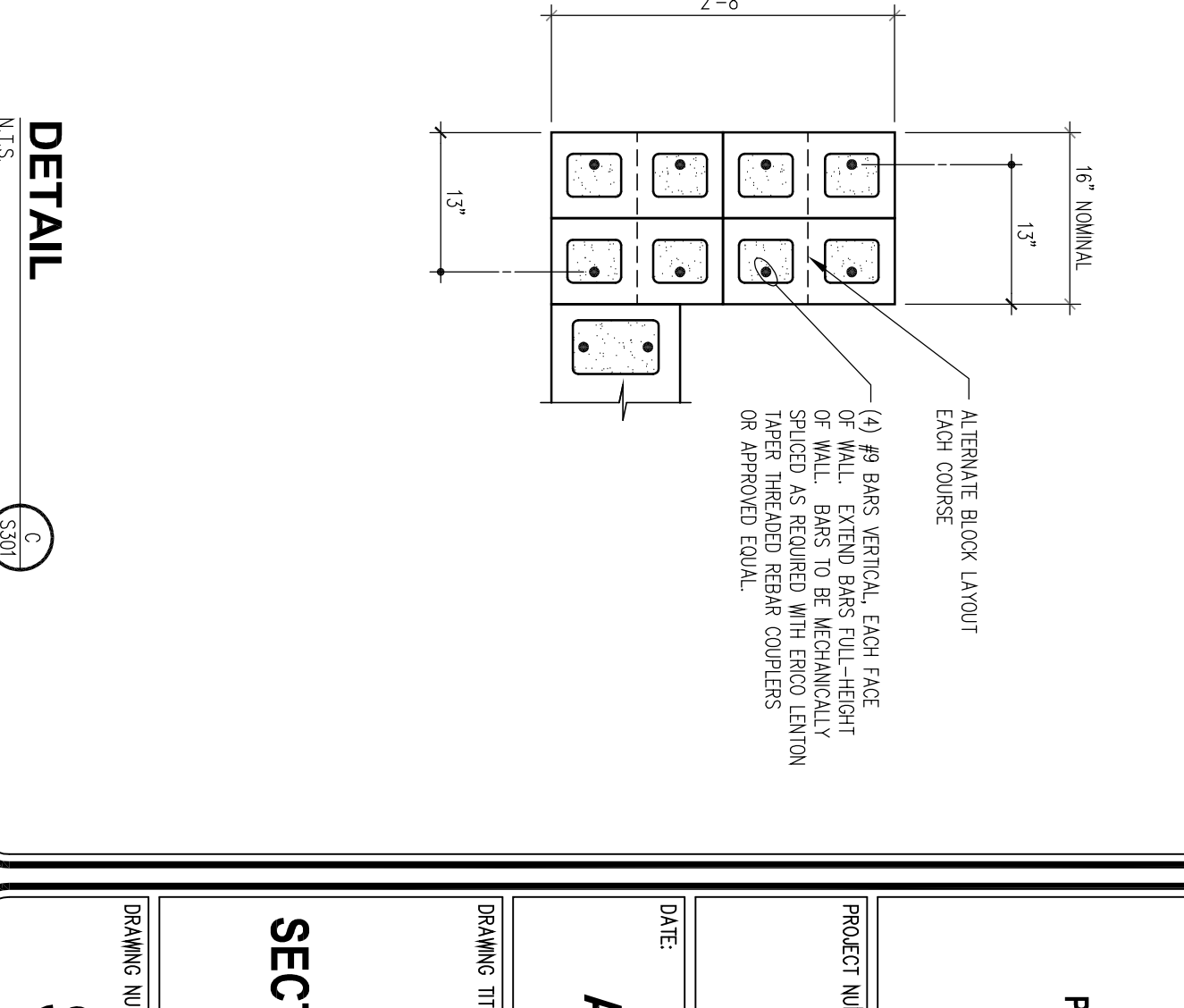
SECTION
SCALE: 3/4" = 1'-0"



SECTION
SCALE: 3/4" = 1'-0"
TYPICAL JOIST/BEAM CONNECTION DETAIL



SECTION
SCALE: 3/4" = 1'-0"
DETAIL AT MASONRY PLASTER BETWEEN OVERHEAD DOORS



SECTION
SCALE: 3/4" = 1'-0"
DETAIL AT MASONRY PLASTER BETWEEN OVERHEAD DOORS

FACILITIES DESIGN
3904 Alder Drive
Columbia, Pennsylvania 17512
Phone: (717) 285-9442
Fax: (717) 285-3102
Email: info@facilitiesdesign.com
Web: www.facilitiesdesign.com
CA Number: 2002018

Engineering Design Services
Architectural Engineering
Building Systems
Process Design
Plant Design
Control Systems
Energy Management
Life Cycle Management
Thermal Modeling
Water Treatment
Process Simulation
Project Management
Construction Management
Master Planning
Master Scheduling

NO.	REVISIONS
0	ISSUED FOR BIDDING
1	
2	
3	
4	
5	
6	
7	
8	
9	

Oakhurst DAIRY
NEW MILK COOLER

384 FOREST AVENUE
PORTLAND, MAINE 04101

PROJECT NUMBER:
2003.1141.0

DATE:
AUGUST 29, 2003

DRAWING TITLE:
STRUCTURAL SECTIONS AND DETAILS

DRAWING NUMBER:
S301

REVISION:
0

PROJECT MANAGER: M.A.S.
DESIGNER: K.A.S.
DRAWN BY: G.L.B.
CHECKED BY: R.G.C.

PROJECT VENDOR: SEL
M&E: K&S
DESIGN BY: K&S
CHECKED BY: G.L.B.
PROJECT: R.G.C.

This drawing and all information contained herein, remains the property of FACILITIES DESIGN, INC. and shall not be reproduced, stored in a retrieval system, or transmitted in any form or by any means, electronic, mechanical, photocopying, recording, or by any information storage and retrieval system, without the prior written permission of FACILITIES DESIGN, INC. Do not scale drawing. Contractor shall be responsible for verifying all dimensions and conditions on construction. Any discrepancies shall refer to construction documents.