

Project Title
UNIVERSITY OF SOUTHERN MAINE BUILDING GENERATOR REPLACEMENT
Portland, Maine

HA Project No. **10633**

Key Plan

NEW WORK KEY NOTES

- ① PROVIDE CONDUIT AND CONDUCTORS AS NECESSARY. SEE ONE-LINE DIAGRAM SHEET E50.1. PROVIDE CONNECTIONS TO EXISTING PANEL "ELB" AND NEW BREAKER IN EXISTING SWITCHBOARD. COORDINATE WORK WITH PROJECT "09533 UNIVERSITY OF MAINE SYSTEM, DATA CENTER UPGRADES".
- ② WORK PROVIDED UNDER PROJECT "09533 UNIVERSITY OF MAINE SYSTEM, DATA CENTER UPGRADES".
- ③ NOT USED.
- ④ NEW WORK. SEE SHEET E50.1.
- ⑤ PANEL "DP3" AND 30kVA TRANSFORMER LOCATED IN CLOSET ROOM 311. SEE SHEET E50.1.
- ⑥ PROVIDE NEW 60A BREAKER TO REPLACE EXISTING BREAKER AND PROVIDE BLANK UP PLATE. (EXISTING BREAKER IS BROKEN AND CAUTION IS REQUIRED). VERIFY TRIP RATING OF EXISTING BREAKER AND REPLACE WITH SAME SIZE AND TRIP.

NEW ONE-LINE DIAGRAM

NO SCALE REF: NA

A2

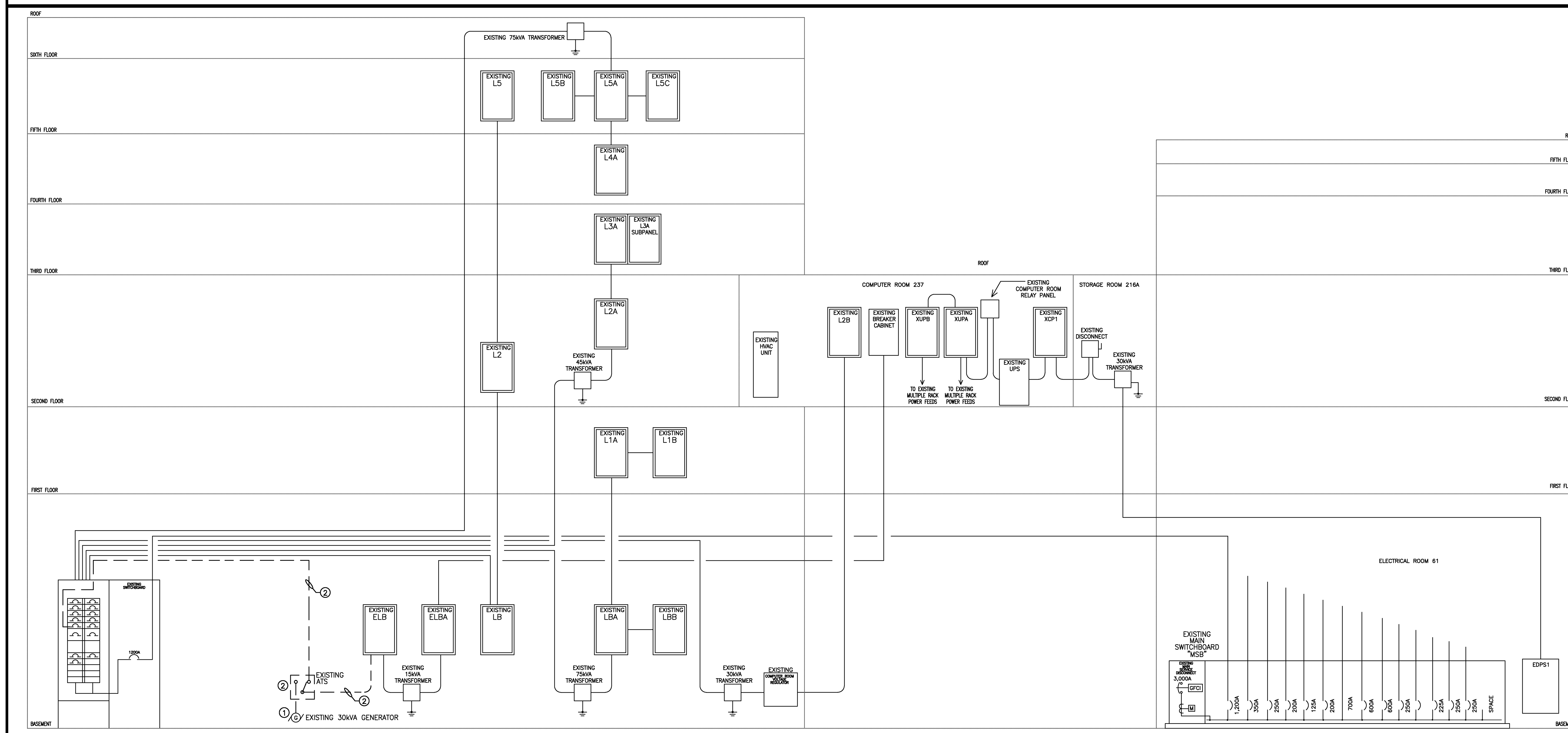
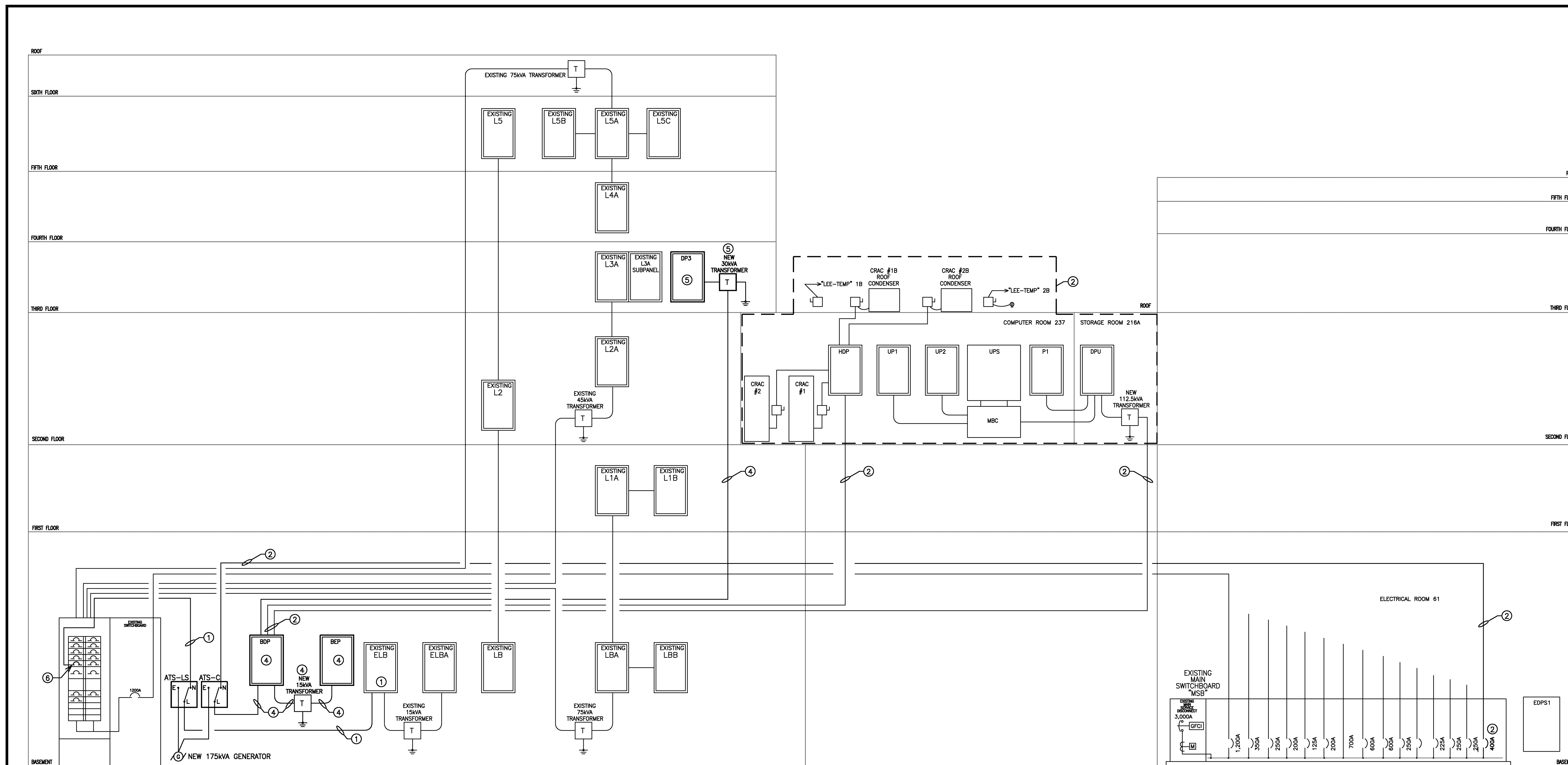
DEMOLITION KEY NOTES

- ① REMOVE EXISTING GENERATOR CONDUIT AND CONDUCTORS BACK TO SOURCE.
- ② REMOVE AUTOMATIC TRANSFER SWITCH, CONDUIT AND CONDUCTORS BACK TO SOURCE.

EXISTING ONE-LINE DIAGRAM

NO SCALE REF: NA

A1



Mark	Date	Description
05-09-2011		ISSUED FOR BID
04-05-2011		ISSUED FOR 100% REVIEW
01-24-2011		ISSUED FOR 75% REVIEW
Issue Dates		

Mark	Date	Description
Drawing Status		

Drawing Title
ELECTRICAL RISER DIAGRAM

PA / PE: PRM Drawn By: RJB

Drawing Number
E50.2